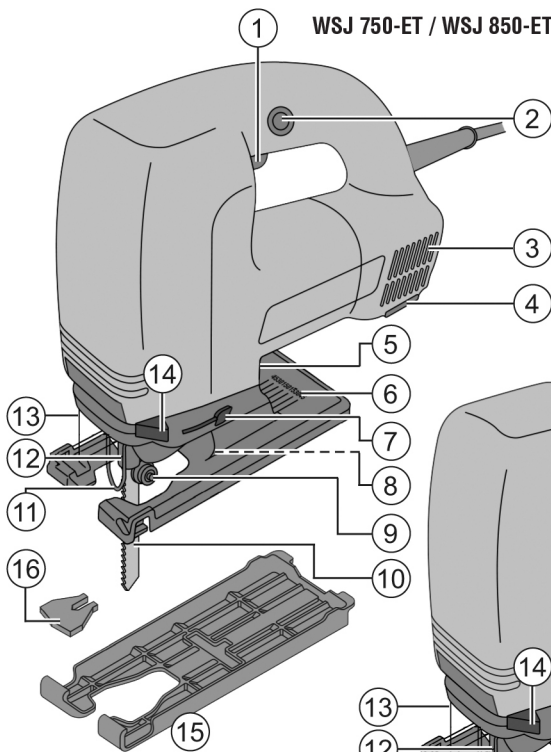




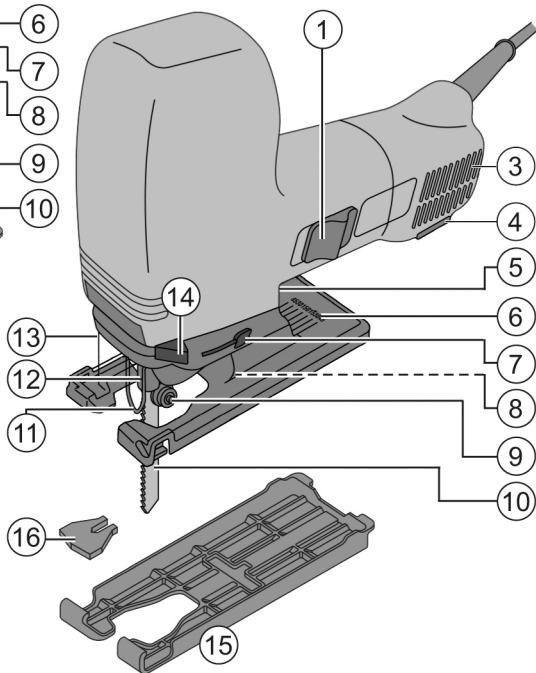
WSJ 750
WSJ 850

English	1
Français	13
Español	25

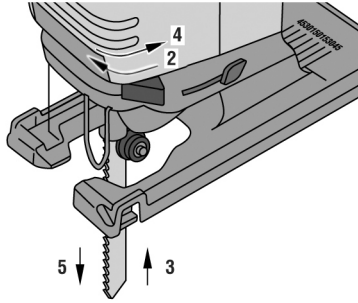
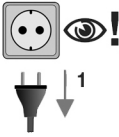
WSJ 750-ET / WSJ 850-ET



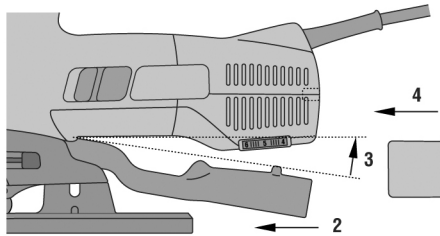
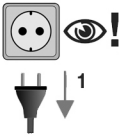
WSJ 750-EB / WSJ 850-EB



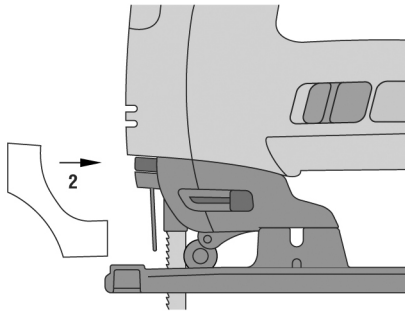
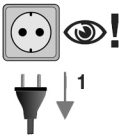
2



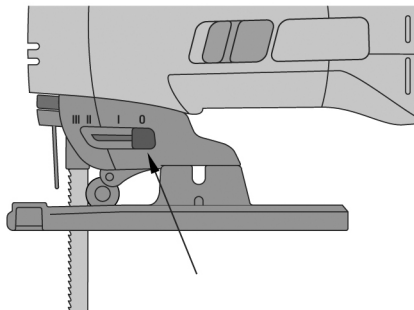
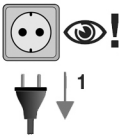
3



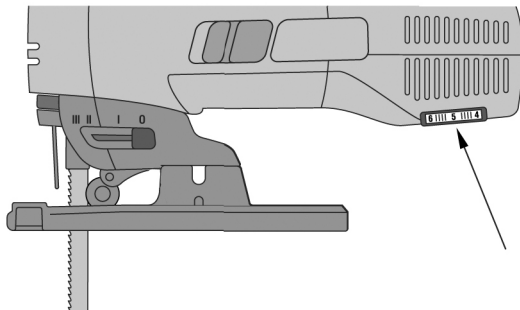
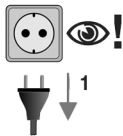
4



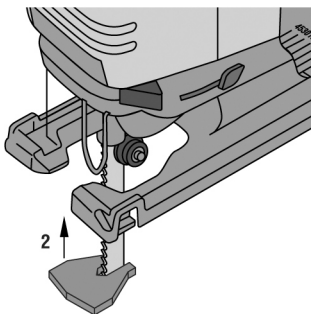
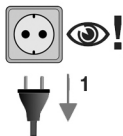
5



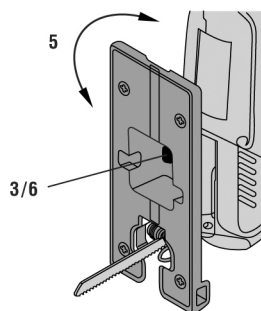
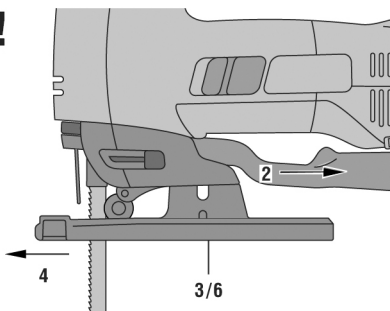
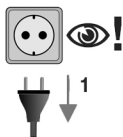
6



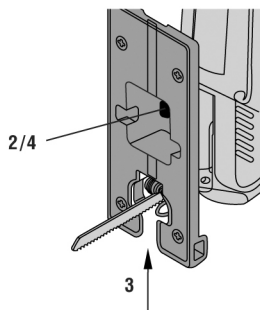
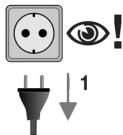
7



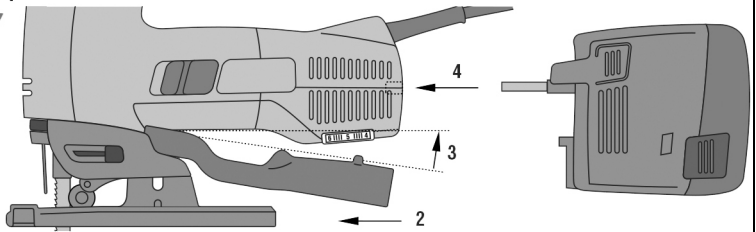
8



9



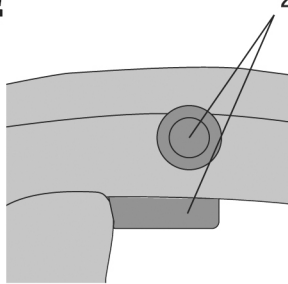
10



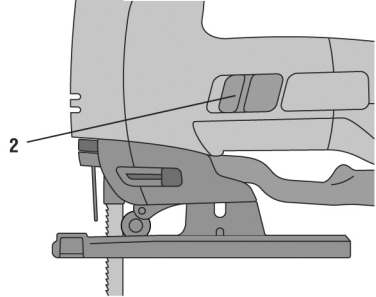
11



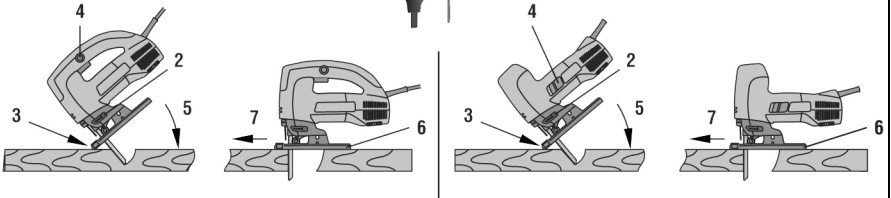
WSJ 750-ET / WSJ 850-ET



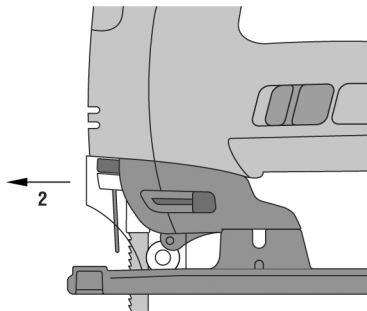
WSJ 750-EB / WSJ 850-EB



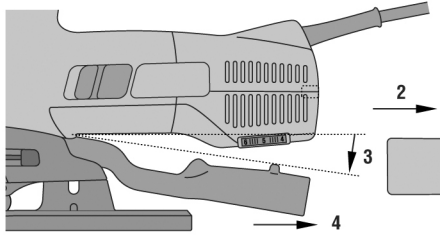
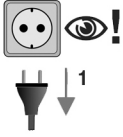
12



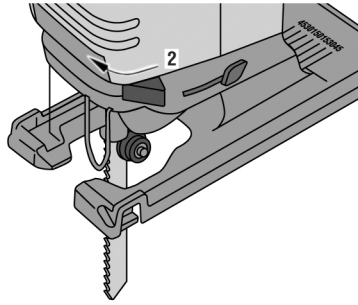
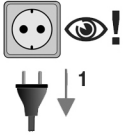
13



14



15



WSJ 750

WSJ 850

en	Original operating instructions	1
fr	Notice d'utilisation originale	13
es	Manual de instrucciones original	25

Original operating instructions

1 Information about the documentation

1.1 About this documentation

- Read this documentation before initial operation or use. This is a prerequisite for safe, trouble-free handling and use of the product.
- Observe the safety instructions and warnings in this documentation and on the product.
- Always keep the operating instructions with the product and make sure that the operating instructions are with the product when it is given to other persons.

1.2 Explanation of symbols used

1.2.1 Warnings

Warnings alert persons to hazards that occur when handling or using the product. The following signal words are used:

DANGER

DANGER !

- ▶ Draws attention to imminent danger that will lead to serious personal injury or fatality.

WARNING

WARNING !

- ▶ Draws attention to a potential threat of danger that can lead to serious injury or fatality.





CAUTION

CAUTION !

- ▶ Draws attention to a potentially dangerous situation that could lead to personal injury or damage to the equipment or other property.


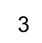


1.2.2 Symbols in the documentation

The following symbols are used in this document:

	Read the operating instructions before use.
	Instructions for use and other useful information
	Dealing with recyclable materials
	Do not dispose of electric equipment and batteries as household waste

1.2.3 Symbols in the illustrations

The following symbols are used in illustrations:

	These numbers refer to the corresponding illustrations found at the beginning of these operating instructions
	The numbering reflects the sequence of operations shown in the illustrations and may deviate from the steps described in the text
	Item reference numbers are used in the overview illustrations and refer to the numbers used in the product overview section
	This symbol is intended to draw special attention to certain points when handling the product.



1.3 Product-dependent symbols

1.3.1 Symbols on the product

The following symbols are used on the product:

n_0	Stroke rate under no load
	Double insulated

1.4 Product information

products are designed for professional users and only trained, authorized personnel are permitted to operate, service and maintain the products. This personnel must be specifically informed about the possible hazards. The product and its ancillary equipment can present hazards if used incorrectly by untrained personnel or if used not in accordance with the intended use.

The type designation and serial number are printed on the rating plate.

- ▶ Write down the serial number in the table below. You will be required to state the product details when contacting Hilti Service or your local Hilti organization to inquire about the product.

Product information

Orbital-action jig saw	WSJ 750 WSJ 850
Generation:	01
Serial no.:	

1.5 Declaration of conformity

We declare, on our sole responsibility, that the product described here complies with the applicable directives and standards. A copy of the declaration issued by the certification department can be found at the end of this documentation.

The technical documentation is filed here:

Hilti Entwicklungsgesellschaft mbH | Tool Certification | Hiltistrasse 6 | 86916 Kaufering, Germany

2 Safety

2.1 General power tool safety warnings

⚠ WARNING Read all safety warnings, instructions, illustrations and specifications provided with this power tool. Failure to follow all instructions listed below may result in electric shock, fire and/or serious injury. **Save all warnings and instructions for future reference.**

The term "power tool" in the warnings refers to your mains-operated (corded) power tool or battery-operated (cordless) power tool.

Work area safety

- ▶ **Keep work area clean and well lit.** Cluttered or dark areas invite accidents.
- ▶ **Do not operate power tools in explosive atmospheres, such as in the presence of flammable liquids, gases or dust.** Power tools create sparks which may ignite the dust or fumes.
- ▶ **Keep children and bystanders away while operating a power tool.** Distractions can cause you to lose control.

Electrical safety

- ▶ **Power tool plugs must match the outlet. Never modify the plug in any way. Do not use any adapter plugs with earthed (grounded) power tools.** Unmodified plugs and matching outlets will reduce risk of electric shock.
- ▶ **Avoid body contact with earthed or grounded surfaces, such as pipes, radiators, ranges and refrigerators.** There is an increased risk of electric shock if your body is earthed or grounded.
- ▶ **Do not expose power tools to rain or wet conditions.** Water entering a power tool will increase the risk of electric shock.
- ▶ **Do not abuse the cord. Never use the cord for carrying, pulling or unplugging the power tool. Keep cord away from heat, oil, sharp edges or moving parts.** Damaged or entangled cords increase the risk of electric shock.
- ▶ **When operating a power tool outdoors, use an extension cord suitable for outdoor use.** Use of a cord suitable for outdoor use reduces the risk of electric shock.



- ▶ **If operating a power tool in a damp location is unavoidable, use a residual current device (RCD) protected supply.** Use of an RCD reduces the risk of electric shock.

Personal safety

- ▶ **Stay alert, watch what you are doing and use common sense when operating a power tool. Do not use a power tool while you are tired or under the influence of drugs, alcohol or medication.** A moment of inattention while operating power tools may result in serious personal injury.
- ▶ **Use personal protective equipment. Always wear eye protection.** Protective equipment such as a dust mask, non-skid safety shoes, hard hat or hearing protection used for appropriate conditions will reduce personal injuries.
- ▶ **Prevent unintentional starting. Ensure the switch is in the off-position before connecting to power source and/or battery pack, picking up or carrying the tool.** Carrying power tools with your finger on the switch or energising power tools that have the switch on invites accidents.
- ▶ **Remove any adjusting key or wrench before turning the power tool on.** A wrench or a key left attached to a rotating part of the power tool may result in personal injury.
- ▶ **Do not overreach. Keep proper footing and balance at all times.** This enables better control of the power tool in unexpected situations.
- ▶ **Dress properly. Do not wear loose clothing or jewellery. Keep your hair and clothing away from moving parts.** Loose clothes, jewellery or long hair can be caught in moving parts.
- ▶ **If devices are provided for the connection of dust extraction and collection facilities, ensure these are connected and properly used.** Use of dust collection can reduce dust-related hazards.
- ▶ **Do not let familiarity gained from frequent use of tools allow you to become complacent and ignore tool safety principles.** A careless action can cause severe injury within a fraction of a second.

Power tool use and care

- ▶ **Do not force the power tool. Use the correct power tool for your application.** The correct power tool will do the job better and safer at the rate for which it was designed.
- ▶ **Do not use the power tool if the switch does not turn it on and off.** Any power tool that cannot be controlled with the switch is dangerous and must be repaired.
- ▶ **Disconnect the plug from the power source and/or remove the battery pack, if detachable, from the power tool before making any adjustments, changing accessories, or storing power tools.** Such preventive safety measures reduce the risk of starting the power tool accidentally.
- ▶ **Store idle power tools out of the reach of children and do not allow persons unfamiliar with the power tool or these instructions to operate the power tool.** Power tools are dangerous in the hands of untrained users.
- ▶ **Maintain power tools and accessories. Check for misalignment or binding of moving parts, breakage of parts and any other condition that may affect the power tool's operation. If damaged, have the power tool repaired before use.** Many accidents are caused by poorly maintained power tools.
- ▶ **Keep cutting tools sharp and clean.** Properly maintained cutting tools with sharp cutting edges are less likely to bind and are easier to control.
- ▶ **Use the power tool, accessories and tool bits etc. in accordance with these instructions, taking into account the working conditions and the work to be performed.** Use of the power tool for operations different from those intended could result in a hazardous situation.
- ▶ **Keep handles and grasping surfaces dry, clean and free from oil and grease.** Slippery handles and grasping surfaces do not allow for safe handling and control of the tool in unexpected situations.

Service

- ▶ **Have your power tool serviced by a qualified repair person using only identical replacement parts.** This will ensure that the safety of the power tool is maintained.

2.2 Safety instructions for reciprocating saws

- ▶ **Hold the power tool by insulated gripping surfaces, when performing an operation where the cutting accessory may contact hidden wiring or its own cord.** Cutting accessory contacting a "live" wire may make exposed metal parts of the power tool "live" and could give the operator an electric shock.
- ▶ **Use clamps or another practical way to secure and support the workpiece to a stable platform.** Holding the workpiece by hand or against your body leaves it unstable and may lead to loss of control.



2.3 Additional safety instructions

Personal safety

- ▶ **Modification of the power tool is not permitted.**
- ▶ **Hold the power tool by the insulated gripping surfaces only, when carrying out work in which the accessory tool can come into contact with concealed wiring or with the power tool's own supply cord.** Metal parts of the power tool can also become live, resulting in electric shock, if contact is made with a live cable.
- ▶ **Wear ear protectors.** Exposure to noise can cause hearing loss.
- ▶ **Use light respiratory protection if the work causes dust.**
- ▶ **Improve the blood circulation in your fingers by relaxing your hands and exercising your fingers during breaks between working.**
- ▶ **The power tool is not intended for use by inexperienced persons who have received no special training.**
- ▶ **Keep the power tool out of reach of children.**
- ▶ **When working, always guide the supply cord and the extension cable to the rear and away from the power tool.** This reduces the risk of tripping over cables while work is in progress.
- ▶ **Wear protective gloves.** The orbital-action jig saw can get hot during operation. There is a risk of injury (cutting or burning) if the accessory tool is touched while changing it.
- ▶ **Dust from materials such as paint containing lead, some types of wood, minerals and metal can be harmful to health.** Contact with or inhalation of the dust may cause allergic reactions and/or respiratory diseases among operators or bystanders. Certain kinds of dust such as oak and beech wood dust are classified as carcinogenic, especially in conjunction with additives for wood conditioning (chromate, wood preservative). **Use a dust removal system that is as effective as possible. Use a mobile vacuum extractor of the type recommended by Hilti for wood dust and/or mineral dust and which is designed for use with this power tool. Observe national regulations applicable to the materials you intend to work with.**

Electrical safety

- ▶ **Before beginning work, check the working area (e.g. using a metal detector) to ensure that no concealed electric cables or gas and water pipes are present.** External metal parts of the power tool may become live, for example, when an electric cable is damaged accidentally. This presents a serious risk of electric shock.
- ▶ **Check the machine's supply cord at regular intervals and have it replaced by a qualified specialist if found to be damaged. If the machine's supply cord is damaged it must be replaced with a specially prepared and approved supply cord available from Hilti Customer Service. Check extension cords at regular intervals and replace them if found to be damaged. Do not touch the supply cord or extension cord if it is damaged while working. Disconnect the supply cord plug from the power outlet.** Damaged supply cords or extension cords present a risk of electric shock.
- ▶ **Have dirtied or dusty power tools that are used frequently for working on conductive materials checked at regular intervals by a Hilti Service Center.** Dust, especially dust from conductive materials, or dampness on the surface of the power tool can, under unfavorable conditions, lead to electric shock.
- ▶ **Switch the power tool off and unplug the supply cord in the event of a power failure or interruption in the electric supply.** This will prevent accidental restarting when the electric power returns.

Special safety instructions for jig saws.

- ▶ **Always guide the product away from your body when cutting.**
- ▶ **Never position your hands ahead of or on the saw blade.**
- ▶ **Never cut into unknown materials and keep the line of cut above and below the workpiece free of obstacles.** The product can kick back if the saw blade comes into contact with an obstructing object.
- ▶ Switch the product off for transport.
- ▶ **Never operate the product without the contact guard correctly installed. Do not touch rotating parts. Switch the machine on only after it is in position at the workpiece.** Touching rotating parts, especially rotating accessory tools, may lead to injury.
- ▶ **Before beginning the work, check the hazard classification of the dust that will be produced. Use an industrial vacuum cleaner with an officially approved protection classification in compliance with locally applicable dust protection regulations.**
- ▶ **If the work involves breaking right through, take the appropriate safety measures on the opposite side.** There is a risk of injury when the drill bit breaks through the object in which the hole is being drilled.
- ▶ Never reach or grip below the workpiece while cutting.

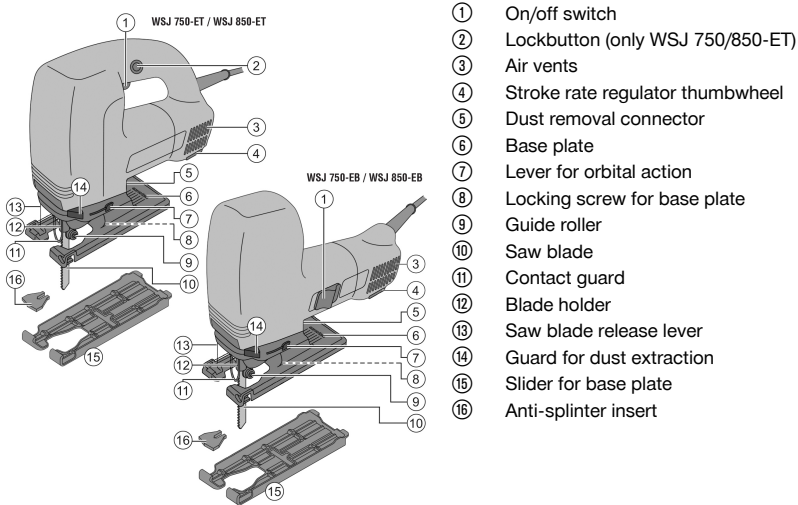


Safety instructions for the WSJ-DRS dust removal module

- ▶ When changing the filter, hold the product and/or the WSJ-DRS in a position in which the dust container can be removed by being pulled vertically down. This prevents dust from escaping.
- ▶ Use light respiratory protection when changing the filter.

3 Description

3.1 Product overview



3.2 Intended use

The product described is a hand-held, electrically powered orbital-action jig saw. It is designed for cutting plastic, wood and metal materials, drywall board and gypsum fiberboard.

The product has a dust removal connector for a dust removal system. The guard must be installed for working with a dust removal system.

The tool may be operated only when connected to a power source providing a voltage and frequency in compliance with the information given on the type identification plate.

3.3 Possible misuse

- Use of the product to cut off tree branches or to cut the trunk of a tree is not permissible.
- Use of the product to cut hazardous materials is not permissible.
- Use of the product in a damp or wet environment is not permissible.

3.4 Dust blower

The orbital-action jig saw has a dust blower.

The blower directs a jet of air toward the saw blade in order to keep the cutting line free of dust.

3.5 Stroke rate

The stroke rate can be adjusted by turning the thumbwheel. The range of adjustment is from position 1 (low) to position 6 (high).

To determine the correct setting for the task to be performed, consult the information provided with the saw blade.

3.6 4 orbital-action settings

The 4 orbital-action settings allow cutting performance and quality of cut to be adjusted to suit the material to be cut. The orbital-action adjustment lever is used to set the power tool to one of the 4 settings.



The lower the orbital-action setting, the finer and cleaner the cut edges will be. The optimum setting can be determined by carrying out practical tests.

Status	Meaning
Position 0	No orbital action
Position 1	Low orbital action
Position 2	Medium orbital action
Position 3	High orbital action

3.7 Anti-splinter insert

The product can be equipped with an anti-splinter insert.

The anti-splinter insert helps prevent splintering on the surface of wood materials when cutting.

3.8 Dust extractor with dust removal system

The dust extractor reduces dust emissions, increases working safety by providing better visibility of the cutting line and reduces exposure to dust and wood chips at the workplace.

Always connect the dust removal system to the suction adapter when working over a lengthy period with wood or materials that can cause high dust concentrations.

The guard must be installed if you work with a dust removal system.

3.9 Items supplied.

Orbital-action jig saw, saw blade, anti-splinter insert, dust removal adapter, slider, hex key, guard, operating instructions.

Other system products approved for use with this product can be found at your local **Hilti Store** or at: www.hilti.group

4 Technical data

4.1 Orbital-action jig saw

When powered by a generator or transformer, the generator or transformer's power output must be at least twice the rated input power shown on the rating plate of the power tool. The operating voltage of the transformer or generator must always be within +5% and -15% of the rated voltage of the power tool.

The information given applies to a rated voltage of 120 V. The data may vary in the event of deviations from the rated voltage and for country-specific versions. Please refer to the power tool's rating plate for details of its voltage, frequency, current and input power ratings.

	WSJ 750-ET	WSJ 750-EB	WSJ 850-ET	WSJ 850-EB
Rated power input	750 W (1.01 hp)	750 W (1.01 hp)	850 W (1.14 hp)	850 W (1.14 hp)
Weight	2.8 kg (6.2 lb)	2.6 kg (5.7 lb)	2.7 kg (6.0 lb)	2.6 kg (5.7 lb)
Maximum cutting depth for structural steel	10 mm (0.4 in)	10 mm (0.4 in)	10 mm (0.4 in)	10 mm (0.4 in)
Maximum cutting depth for wood	120 mm (4.7 in)	120 mm (4.7 in)	150 mm (5.9 in)	150 mm (5.9 in)

4.2 Dust removal attachment

	WSJ-DRS
Weight	0.25 kg (0.55 lb)



5 Using extension cords

WARNING

A damaged supply cord presents a hazard! Do not touch the supply cord or extension cord if damaged while working. Disconnect the supply cord plug from the power outlet.

- ▶ Check the appliance's supply cord at regular intervals and have it replaced by a qualified specialist if found to be damaged.
-
- Use only extension cords of a type approved for the application and with conductors of adequate gauge (cross section). The power tool may otherwise suffer a drop in performance and the extension cord may overheat.
 - Check the extension cord for damage at regular intervals.
 - Replace damaged extension cords.
 - When working outdoors, use only extension cords that are approved and correspondingly marked for this application.

Information on recommended minimum conductor cross-sections and cable lengths is accessible via a link, in the form of a QR code, at the end of this document.

6 Preparations at the workplace

CAUTION

Risk of injury! Inadvertent starting of the product.

- ▶ Unplug the supply cord before making adjustments to the power tool or before changing accessories.

Observe the safety instructions and warnings in this documentation and on the product.

6.1 Fitting the saw blade

1. Press and hold down the saw blade release.
2. Push the saw blade (teeth facing the cutting direction) into the blade holder until it engages.
3. Hold the saw blade against the resistance and let the saw blade release return to its original position.
4. Grip and pull the saw blade to check that it is held securely.

6.2 Fitting the suction adapter

1. Connect the dust removal adapter to the opening in the product.
2. Press the suction adapter against the product from below until it engages.
3. Connect the vacuum cleaner hose to the suction adapter.

6.3 Fitting the guard

- ▶ Push the guard onto the product from the front until it clicks into place.

6.4 Setting the orbital action

The 4 orbital-action settings allow cutting performance and quality of cut to be adjusted to suit the material to be cut.

The orbital-action adjustment lever is used to set the power tool to one of the 4 settings.

The lower the orbital-action setting, the finer and cleaner the cut edges will be.

The optimum setting can be determined by carrying out practical tests.

To determine the correct setting for the task to be performed, consult the information provided with the saw blade.


Status	Meaning
Position 0	No orbital action
Position 1	Low orbital action
Position 2	Medium orbital action
Position 3	High orbital action



6.5 Adjusting the stroke rate

- ▶ Set the stroke rate regulator thumbwheel to a setting between 1 (low) and 6 (high).
 - ▶ Determine the correct setting for the task to be performed with the applicable saw blade.

6.6 Fitting the anti-splinter insert

 The function can be used only with the saw blades for which it is intended.

- ▶ Press the anti-splinter insert into the base plate from below.


6.7 Adjusting cutting angle

1. Remove the dust removal connector.
2. Slacken the screw.
3. Pull the base plate slightly forward.
4. Use the scale on the product to set the base plate to the desired angle.
5. Securely tighten the screw.

6.8 Repositioning base plate

1. Slacken the screw.
2. Push the base plate back as far as it will go.
3. Securely tighten the screw.

6.9 Installing slider for base plate

 Use the slider for the base plate when you work on materials that scratch easily.

1. Hook the front of the slider into the base plate.
2. Press the back of the slider against the base plate until it engages.

7 Types of work


WARNING

Damaged power cords are a safety hazard! If the supply cord or extension cord is damaged while work is in progress, immediately disconnect the device and the cord from the electricity supply. Do not touch the damaged part of the cord.

- ▶ Regularly check all supply cords. Replace defective extension cords. Have damaged power cords replaced by a qualified specialist.

Use of a ground fault circuit interrupter (residual current device, RCD) with a maximum tripping current of 30 mA is recommended.

7.1 Connecting dust extractor

 The dust extractor reduces dust emissions, increases working safety by providing better visibility of the cutting line and reduces exposure to dust and wood chips at the workplace.

1. Fit the guard. → page 7
2. Connect the extractor when you intend working for a long period on wood or other materials, because high concentrations of dust can be produced in these operations.



7.2 Switching on **11**

1. If the following equipment exists, also take this action:

WSJ 750-ET
WSJ 850-ET

- ▶ Press the on/off switch.
 - ▶ Then press the lockbutton.
 - ▶ The on/off switch engages in the ON position.
 - ▶ To release the lockbutton, press the on/off switch again.
2. If the following equipment exists, also take this action:

WSJ 750-EB
WSJ 850-EB

- ▶ Use the sliding switch to switch the product on.

7.3 Plunge cutting **12**

1. Set the orbital-action adjusting lever to position 0.
2. Bring the front edge of the base plate into contact with the workpiece.
3. Hold the product securely and press the on/off switch.
4. Press the product firmly against the workpiece and begin the plunge cut by slowly reducing the angle of attack.
5. Once the blade has penetrated right through the workpiece, bring the product into its normal working position.
 - ▶ The base plate then lies flat on the working surface.
6. Continue to saw along the cutting line.

8 Removal

CAUTION

Risk of injury! Inadvertent starting of the product.

- ▶ Unplug the supply cord before making adjustments to the power tool or before changing accessories.

Observe the safety instructions and warnings in this documentation and on the product.

8.1 Removing the guard **13**

- ▶ Tilt the guard slightly and pull it off toward the front.

8.2 Resetting cutting angle

1. Slacken the screw.
2. Set the cutting angle to 0°.
3. Push the base plate back to its original position.
4. Securely tighten the screw.

8.3 Removing dust extractor **14**

1. Pull the vacuum cleaner hose off the suction adapter.
2. Press the dust removal adapter down and pull it out of the product.

8.4 Ejecting the saw blade **15**

WARNING

Risk of injury. Uncontrolled ejection of the saw blade can lead to injury.

- ▶ When ejecting the saw blade, hold the product in such a way that it presents no risk of injury to persons or animals.
-
- ▶ Push the saw blade ejection lever to the side as far as it will go.
 - ▶ The saw blade will be released and ejected.



9 Care and maintenance

WARNING

Electric shock hazard! Attempting care and maintenance with the supply cord connected to a power outlet can lead to severe injury and burns.

- ▶ Always unplug the supply cord before carrying out care and maintenance tasks.
-

Care


- Carefully remove any dirt that may be adhering to parts.
- Clean the air vents carefully with a dry brush.
- Use only a slightly damp cloth to clean the casing. Do not use cleaning agents containing silicone as these may attack the plastic parts.

Maintenance

WARNING

Danger of electric shock! Improper repairs to electrical components may lead to serious injuries including burns.

- ▶ Repairs to the electrical section of the tool or appliance may be carried out only by trained electrical specialists.
 - Check all visible parts and controls for signs of damage at regular intervals and make sure that they all function correctly.
 - Do not operate the product if signs of damage are found or if parts malfunction. Have it repaired immediately by **Hilti** Service.
 - After cleaning and maintenance, fit all guards or protective devices and check that they function correctly.
-

 To help ensure safe and reliable operation, use only genuine Hilti spare parts and consumables. Spare parts, consumables and accessories approved by Hilti for use with the product can be found at your local **Hilti Store** or online at: www.hilti.group.

9.1 Emptying the dust container

WARNING

Dust hazard Tapping the dust removal module to empty it releases dust.

- ▶ Wear light respiratory protection.
-

1. Simultaneously press the left and right buttons on the dust container.
2. Pull the dust container down and clear.
3. Tap the dust out of the dust container or clean the dust container with a vacuum cleaner.

9.2 Cleaning the suction adapter

1. Clean the suction adapter.
2. Check that moving parts operate satisfactorily and do not jam, and make sure that no parts are broken or damaged in such a way that the product might no longer function correctly.

9.3 Cleaning the saw blade

1. Clean resin deposits from used saw blades at regular intervals.
2. Place the saw blades in a bath of kerosene (paraffin oil) or commercially-available resin remover for 24 hours.

10 Transport and storage

Transport

- ▶ Do not transport this product with an accessory tool installed.
- ▶ Make sure that the equipment is held securely throughout all transport operations.
- ▶ After transporting, always check all visible parts and controls for signs of damage and make sure that they all function correctly.



Storage

- ▶ Always store this product with the electric supply cable unplugged from the electricity supply.
- ▶ Store this product in a dry place, where it cannot be accessed by children or unauthorized persons.
- ▶ After a long period of storage, always check all visible parts and controls for signs of damage and make sure that they all function correctly.

11 Troubleshooting

If the trouble you are experiencing is not listed in this table or you are unable to remedy the problem by yourself, please contact **Hilti** Service.

Trouble or fault	Possible cause	Action to be taken
The saw blade drops out.	The saw blade is not correctly engaged.	▶ Repeat the insertion procedure; make sure that the blade holder is fully open and that the saw blade is pushed all the way in against the resistance of the spring.
	The clamping system is clogged with foreign matter.	▶ Clean out the blade holder.
The saw blade cannot be inserted.	The clamping system is clogged with foreign matter.	▶ Clean out the blade holder.
The product can't be switched on.	Supply cord not connected to electricity supply.	▶ Check the connection.
	Switch faulty or dirty.	▶ Wipe the outside of the switch with a cleaning cloth.
WSJ 750-ET WSJ 850-ET Switch cannot be locked.	Switch faulty or dirty.	▶ Wipe the outside of the switch with a cleaning cloth.
The orbital action cannot be adjusted.	Groove dirty.	▶ Clean out the orbital-action adjusting lever groove.
The orbital action doesn't work.	Orbital-action fork dirty.	▶ Check for foreign matter in the area of the orbital-action fork and clean it out.
	Orbital-action adjusting lever in the "0" position.	▶ Adjust it to the desired setting.
Speed cannot be adjusted.	Thumbwheel faulty or dirty.	▶ Clean the outside of the thumbwheel.
Speed too high or too low.	Wrong value set.	▶ Check the set value (scale on the thumbwheel) and change the setting accordingly.
Dust extraction with the dust extractor or WSJ-DRS is not working.	Extractor hood not correctly connected.	▶ Make sure that the vacuum cleaner is working and that the dust removal adapter and the extractor hood are correctly connected.
	Channels in the product and/or suction adapter dirty.	▶ Clean the connection and check that the accessory is suitable.
Base plate cannot be swiveled.	Securing screw not slackened.	▶ Check the screw; slacken it if necessary.
	Connection to the product dirty.	▶ Clean the area between the base plate and the product.
WSJ 850-EB WSJ 850-ET Accessory cannot be installed.	Connection to the base plate is dirty.	▶ Clean the connection.
	Wrong accessory.	▶ Check that the accessory is suitable.



Trouble or fault	Possible cause	Action to be taken
DRS dust extraction module not working.	Connection on the product not correct.	▶ Check the connection on the product.
	The dust container is full.	▶ Empty the dust container.
	The filter is clogged.	▶ Clean the filter or replace the dust container.
Cut not straight.	Wrong saw blade for the job.	▶ Use a new, suitable saw blade.
	Saw blade blunt or damaged.	▶ Use a new saw blade.
Material gets too hot during cutting.	Cutting force and speed too high.	▶ Reduce speed and pressure.
Material (metal) gets too hot during cutting.	Lack of lubrication for cutting metal.	▶ Use a new saw blade and make sure there is adequate lubrication between saw blade and workpiece.

12 Disposal

WARNING

Risk of injury. Hazards presented by improper disposal.

- ▶ Improper disposal of the equipment may have the following consequences: The burning of plastic components generates toxic fumes which may present a health hazard. Batteries may explode if damaged or exposed to very high temperatures, causing poisoning, burns, acid burns or environmental pollution. Careless disposal may permit unauthorized and improper use of the equipment. This may result in serious personal injury, injury to third parties and pollution of the environment.
- ▶ Dispose of defective batteries right away. Keep them out of reach of children. Do not disassemble or incinerate the batteries.
- ▶ Batteries that have reached the end of their life must be disposed of in accordance with national regulations or returned to **Hilti**.

Most of the materials from which **Hilti** tools and appliances are manufactured can be recycled. The materials must be correctly separated before they can be recycled. In many countries, your old tools, machines or appliances can be returned to **Hilti** for recycling. Ask **Hilti** Service or your Hilti representative for further information.

13 FCC statement (applicable in US) / IC statement (applicable in Canada)

This device complies with Part 15 of the FCC Rules and RSS-210 of IC. Operation is subject to the following two conditions:

1. this device may not cause harmful interference, and
2. this device must accept any interference received, including interference that may cause undesired operation.

14 Further information

You will find a link to more information about your product, in the form of a QR code, at the end of this document.

15 Manufacturer's warranty

- ▶ Please contact your local **Hilti** representative if you have questions about the warranty conditions.



Notice d'utilisation originale

1 Indications relatives à la documentation

1.1 À propos de cette documentation

- Lire intégralement la présente documentation avant la mise en service. C'est la condition préalablement requise pour assurer la sécurité du travail et un maniement sans perturbations.
- Bien respecter les consignes de sécurité et les avertissements de la présente documentation ainsi que celles figurant sur le produit.
- Toujours conserver le mode d'emploi à proximité du produit et uniquement le transmettre à des tiers avec ce mode d'emploi.

1.2 Explication des symboles

1.2.1 Avertissements

Les avertissements attirent l'attention sur des dangers liés à l'utilisation du produit. Les termes de signalisation suivants sont utilisés :

DANGER

DANGER !

- ▶ Pour un danger imminent qui peut entraîner de graves blessures corporelles ou la mort.

AVERTISSEMENT

AVERTISSEMENT !

- ▶ Pour un danger potentiel qui peut entraîner de graves blessures corporelles ou la mort.

ATTENTION

ATTENTION !

- ▶ Pour une situation potentiellement dangereuse pouvant entraîner des blessures corporelles ou des dégâts matériels.

1.2.2 Symboles dans la documentation

Les symboles suivants sont utilisés dans la présente documentation :

	Lire le mode d'emploi avant d'utiliser l'appareil
	Pour des conseils d'utilisation et autres informations utiles
	Maniement des matériaux recyclables
	Ne pas jeter les appareils électriques et les accus dans les ordures ménagères

1.2.3 Symboles dans les illustrations

Les symboles suivants sont utilisés dans les illustrations :

	Ces chiffres renvoient à l'illustration correspondante au début du présent mode d'emploi
	La numérotation détermine la séquence des étapes de travail dans l'image et peut se différencier de celles des étapes de travail dans le texte
	Les numéros de position sont utilisés dans l'illustration Vue d'ensemble et renvoient aux numéros des légendes dans la section Vue d'ensemble du produit
	Ce signe doit inviter à manier le produit en faisant particulièrement attention.



1.3 Symboles spécifiques au produit

1.3.1 Symboles sur le produit

Les symboles suivants sont utilisés sur le produit :

n_0	Cadence de coupe nominale
	Double isolation

1.4 Informations produit

Les produits sont destinés aux professionnels et ne doivent être utilisés, entretenus et réparés que par un personnel autorisé et formé. Ce personnel doit être spécialement instruit quant aux dangers inhérents à l'utilisation de l'appareil. Le produit et ses accessoires peuvent s'avérer dangereux s'ils sont utilisés de manière incorrecte par un personnel non qualifié ou de manière non conforme à l'usage prévu.

La désignation du modèle et le numéro de série figurent sur sa plaque signalétique.

- ▶ Inscrivez le numéro de série dans le tableau suivant. Les informations produit vous seront demandées lorsque vous contactez nos revendeurs ou services après-vente.

Caractéristiques produit

Scie sauteuse pendulaire	WSJ 750 WSJ 850
Génération :	01
N° de série :	

1.5 Déclaration de conformité

Nous déclarons sous notre seule et unique responsabilité que le produit décrit ici est conforme aux directives et normes en vigueur. Une copie de l'attestation délivrée par l'organisme de certification se trouve en fin de la présente documentation.

Pour obtenir les documentations techniques, s'adresser à :

Hilti Entwicklungsgesellschaft mbH | Zulassung Geräte | Hiltistraße 6 | 86916 Kaufering, DE

2 Sécurité

2.1 Indications générales de sécurité pour les appareils électriques

⚠ AVERTISSEMENT Lire toutes les consignes de sécurité et instructions, illustrations et caractéristiques techniques, qui accompagnent cet outil électroportatif. Tout manquement à l'observation des instructions suivantes risque de provoquer une électrocution, un incendie et/ou de graves blessures.

Les consignes de sécurité et instructions doivent être intégralement conservées pour les utilisations futures.

La notion d'« outil électroportatif » mentionnée dans les consignes de sécurité se rapporte à des outils électriques raccordés au secteur (avec câble d'alimentation) et à des outils électriques sur accus (sans câble d'alimentation).

Sécurité sur le lieu de travail

- ▶ **Conserv**er la zone de travail propre et bien éclairée. Un lieu de travail en désordre ou mal éclairé augmente le risque d'accidents.
- ▶ **Ne pas faire fonctionner les outils électriques en atmosphère explosive et où se trouvent des liquides, des gaz ou poussières inflammables.** Les outils électriques produisent des étincelles qui peuvent enflammer les poussières ou les fumées.
- ▶ **Maintenir les enfants et les personnes présentes à l'écart pendant l'utilisation de l'outil électroportatif.** En cas d'inattention il y a un risque de perdre le contrôle de l'appareil.

Sécurité relative au système électrique

- ▶ **La fiche de secteur de l'outil électroportatif doit être adaptée à la prise de courant. Ne jamais modifier la fiche de quelque façon que ce soit. Ne pas utiliser d'adaptateurs avec des outils électriques à branchement de terre.** Des fiches non modifiées et des prises de courant adaptées réduiront le risque de choc électrique.
- ▶ **Éviter le contact physique avec des surfaces mises à la terre tels que tuyaux, radiateurs, cuisinières et réfrigérateurs.** Il y a un risque élevé de choc électrique au cas où votre corps serait relié à la terre.



- ▶ **Ne pas exposer les outils électroportatifs à la pluie ou à l'humidité.** La pénétration d'eau à l'intérieur d'un outil électroportatif augmentera le risque d'un choc électrique.
- ▶ **Ne jamais utiliser le câble de raccordement à d'autres fins que celles prévues, telles que pour porter, accrocher ou débrancher l'outil électroportatif de la prise de courant. Maintenir le câble de raccordement à l'écart de la chaleur, des parties grasses, des bords tranchants ou des parties en mouvement.** Des câbles de raccordement endommagés ou emmêlés augmentent le risque de choc électrique.
- ▶ **Si l'outil électroportatif est utilisé à l'extérieur, utiliser uniquement des câbles de rallonge homologués pour les applications extérieures.** L'utilisation d'un câble de rallonge homologué pour les applications extérieures réduit le risque d'un choc électrique.
- ▶ **Si l'utilisation de l'outil électrique dans un environnement humide ne peut pas être évitée, utiliser un interrupteur de protection contre les courants de court-circuit.** L'utilisation d'un tel interrupteur de protection réduit le risque d'une décharge électrique.

Sécurité des personnes

- ▶ **Rester vigilant, surveiller ce que l'on fait. Faire preuve de bon sens en utilisant l'outil électroportatif. Ne pas utiliser l'outil électroportatif en étant fatigué ou sous l'emprise de l'alcool, de drogues ou de médicaments.** Un moment d'inattention lors de l'utilisation de l'outil électroportatif peut entraîner des blessures graves.
- ▶ **Utiliser un équipement de protection personnel et toujours porter une protection pour les yeux.** Les équipements de protection personnels tels que masque antipoussière, chaussures de sécurité antidérapantes, casque de protection ou protection acoustique suivant l'utilisation de l'outil électroportatif, réduiront le risque de blessures des personnes.
- ▶ **Éviter une mise en service par mégarde. S'assurer que l'outil électroportatif est arrêté avant de le brancher à la source de courant et/ou à l'accu, de le prendre ou de le porter.** Le fait de porter l'outil électroportatif avec le doigt sur l'interrupteur ou de brancher l'appareil sur la source de courant lorsque l'interrupteur est en position de fonctionnement peut entraîner des accidents.
- ▶ **Retirer tout outil de réglage ou toute clé avant de mettre l'outil électroportatif en fonctionnement.** Une clé ou un outil se trouvant sur une partie en rotation peut causer des blessures.
- ▶ **Adopter une bonne posture. Veiller à toujours garder une position stable et équilibrée.** Cela permet un meilleur contrôle de l'outil électroportatif dans des situations inattendues.
- ▶ **S'habiller de manière adaptée. Ne pas porter de vêtements amples ni de bijoux. Garder les cheveux, les vêtements et les gants à distance des parties en mouvement.** Des vêtements amples, des bijoux ou des cheveux longs peuvent être happés par des parties en mouvement.
- ▶ **Si des dispositifs servant à aspirer ou à recueillir les poussières doivent être utilisés, s'assurer qu'ils sont effectivement raccordés et correctement utilisés.** L'utilisation d'un dispositif d'aspiration de la poussière peut réduire les risques dus aux poussières.
- ▶ **Ne pas sous-estimer les mesures de sécurité à prendre et ne pas ignorer sciemment les règles de sécurité applicables aux outils électriques, même si l'on est utilisateur chevronné après de fréquentes utilisations de l'outil électroportatif.** Un manque d'attention peut conduire à de graves blessures en quelques fractions de seconde.

Utilisation et maniement de l'outil électroportatif

- ▶ **Ne pas forcer l'appareil. Utiliser l'outil électroportatif adapté au travail à effectuer.** Un outil électroportatif approprié réalisera mieux le travail et de manière plus sûre au régime pour lequel il a été conçu.
- ▶ **Ne pas utiliser d'outil électroportatif dont l'interrupteur est défectueux.** Tout outil électroportatif qui ne peut plus être mis en ou hors fonctionnement est dangereux et doit être réparé.
- ▶ **Débrancher la fiche de la prise de courant et/ou l'accu amovible avant d'effectuer des réglages sur l'appareil, de changer les accessoires, ou de ranger l'appareil.** Cette mesure de précaution empêche une mise en fonctionnement par mégarde de l'outil électroportatif.
- ▶ **Conserver les outils électroportatifs non utilisés hors de portée des enfants. Ne permettre l'utilisation de l'appareil à aucune personne qui ne soit pas familiarisée avec celui-ci ou qui n'a pas lu ces instructions.** Les outils électroportatifs sont dangereux lorsqu'ils sont entre les mains de personnes non initiées.
- ▶ **Prendre soin des outils électroportatifs et des accessoires. Vérifier que les parties en mouvement fonctionnent correctement et qu'elles ne sont pas coincées, et contrôler si des parties sont cassées ou endommagées de sorte que le bon fonctionnement de l'outil électroportatif s'en trouve entravé. Faire réparer les parties endommagées avant d'utiliser l'appareil.** De nombreux accidents sont dus à des outils électroportatifs mal entretenus.
- ▶ **Garder les outils de coupe affûtés et propres.** Des outils destinés à couper correctement entretenus avec des arêtes de coupe tranchantes sont moins susceptibles de bloquer et sont plus faciles à contrôler.



- ▶ **L'outil électroportatif, les accessoires, les outils amovibles, etc. doivent être utilisés conformément à ces instructions. Tenir également compte des conditions de travail et du travail à réaliser.** L'utilisation des outils électroportatifs à d'autres fins que celles prévues peut entraîner des situations dangereuses.
- ▶ **Veiller à ce que les poignées et surfaces de préhension soient toujours être sèches, propres et exemptes de traces de graisse ou d'huile.** Avec des poignées et surfaces de préhension glissantes, la sécurité et le contrôle de l'outil électroportatif ne peuvent être assurés dans des situations inopinées.

Service

- ▶ **L'outil électroportatif doit uniquement être réparé par un personnel qualifié, utilisant exclusivement des pièces de rechange d'origine.** Ceci permet d'assurer la sécurité de l'outil électroportatif.

2.2 Consignes de sécurité pour le sciage avec une lame de scie effectuant un mouvement de va-et-vient

- ▶ **Tenir l'outil électroportatif par les surfaces isolées des poignées lors des travaux pendant lesquels l'outil amovible risque de toucher des câbles électriques cachés ou son propre câble de raccordement.** Le contact avec un câble sous tension risque aussi de mettre les parties métalliques de l'appareil sous tension et de provoquer une décharge électrique.
- ▶ **Fixer et sécuriser l'outil à l'aide d'un serre-joint ou de tout autre manière sur un support stable.** Si l'outil est tenu seulement avec la main ou contre le corps, il reste instable ce qui peut entraîner la perte de contrôle.

2.3 Consignes de sécurité supplémentaires

Sécurité des personnes

- ▶ **Toute transformation ou modification de l'appareil est interdite.**
- ▶ **Tenir l'outil électroportatif par les surfaces isolées des poignées lors des travaux pendant lesquels l'accessoire risque de toucher des câbles électriques cachés ou son propre câble d'alimentation réseau.** Le contact avec un câble sous tension risque aussi de mettre les parties métalliques de l'appareil sous tension et de provoquer une décharge électrique.
- ▶ **Porter un casque antibruit.** Le bruit peut entraîner une perte de l'audition.
- ▶ **Utiliser un masque respiratoire léger lors de travaux générant de la poussière.**
- ▶ **Faire régulièrement des pauses et des exercices de relaxation et de massage des doigts pour favoriser l'irrigation sanguine des doigts.**
- ▶ **L'appareil n'est pas destiné à être utilisé par des personnes affaiblies sans encadrement.**
- ▶ **L'appareil doit être tenu à l'écart des enfants.**
- ▶ **Pendant le travail, toujours tenir le câble d'alimentation réseau et de rallonge à l'arrière de l'appareil.** Ceci permet d'éviter tout risque de chute en trébuchant sur le câble pendant le travail.
- ▶ **Porter des gants de protection.** La scie sauteuse pendulaire risque de s'échauffer en cours de service. En cas de changement d'outils, il y a risque de blessures par coupure et de brûlures au contact avec l'appareil.
- ▶ Les poussières de matériaux telles que des poussières de peinture au plomb, de certains types de bois, minéraux et métaux, peuvent être nocives pour la santé. Le contact ou l'aspiration des poussières peut provoquer des réactions allergiques et/ou des maladies respiratoires de l'utilisateur ou de toute personne se trouvant à proximité. Certaines poussières, telles que des poussières de chêne ou de hêtre, sont considérées comme cancérogènes, en particulier lorsqu'elles sont combinées à des additifs destinés au traitement du bois (chromate, produit de protection du bois). **Un dispositif d'aspiration efficace doit être utilisé dans la mesure du possible. Pour ce faire, utiliser un aspirateur mobile pour bois et/ou poussières minérales recommandé par Hilti ayant été adapté à cet outil électroportatif. Respecter les prescriptions locales en vigueur qui s'appliquent aux matériaux travaillés.**

Sécurité relative au système électrique

- ▶ **Avant d'entamer le travail, vérifier, par exemple à l'aide d'un détecteur de métaux, qu'il n'y a pas de câbles ou gaines électriques, tuyaux de gaz ou d'eau cachés dans la zone d'intervention.** Toutes pièces métalliques extérieures de l'appareil peuvent devenir conductrices, par exemple, lorsqu'un câble électrique est endommagé par inadvertance. Cela peut entraîner un grave danger d'électrocution.
- ▶ **Contrôler régulièrement les câbles de raccordement de l'appareil et les faire remplacer par un spécialiste s'ils sont endommagés. Si le câble de raccordement de l'appareil électrique est endommagé, il doit être remplacé par un câble de raccordement spécialement préparé et autorisé, disponible auprès du service après-vente. Contrôler régulièrement les câbles de rallonge et les remplacer s'ils sont endommagés. Si le câble d'alimentation réseau ou de rallonge est endommagé**



pendant le travail, ne pas le toucher. Débrancher la fiche de la prise. Les cordons d'alimentation et câbles de rallonge endommagés représentent un danger d'électrocution.

- ▶ Si le travail s'effectue souvent sur des matériaux conducteurs, faire réviser les appareils encrassés par le S.A.V. Hilti à intervalles réguliers. Dans de mauvaises conditions d'utilisation, la poussière collée à la surface de l'appareil, surtout la poussière de matériaux conducteurs, ou l'humidité, peut entraîner une électrocution.
- ▶ En cas de coupure de courant, arrêter l'appareil et retirer la fiche de la prise. Cette mesure de précaution empêche une mise en fonctionnement par mégarde de l'appareil lorsque le courant est rétabli.

Consignes de sécurité spécifiques aux scies sauteuses.

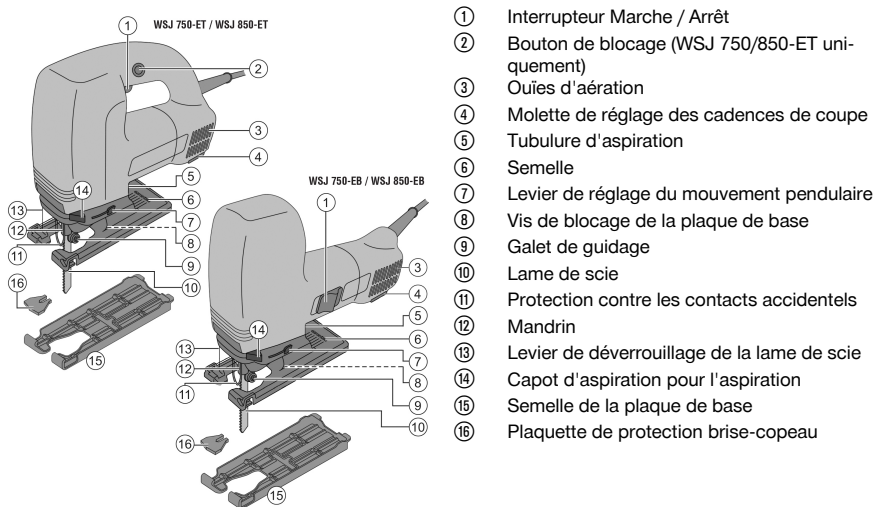
- ▶ Lors du sciage, toujours travailler avec le produit en l'éloignant du corps.
- ▶ Ne jamais laisser ses mains devant ou sur la lame de scie.
- ▶ Ne pas scier dans des matériaux supports inconnus et maintenir la trajectoire en haut et en bas exempte de tout obstacle. Si la lame de scie heurte un objet, elle peut déclencher un mouvement de recul au niveau du produit.
- ▶ Éteindre le produit pour le transport.
- ▶ Ne jamais utiliser le produit sans protection contre les contacts accidentels montée. Éviter de toucher des pièces en rotation. Brancher l'appareil uniquement dans l'espace de travail. Le fait de toucher des pièces en rotation, en particulier des outils amovibles en rotation, risque d'entraîner des blessures.
- ▶ Avant le début du travail, prendre connaissance de la classe de risque de la poussière générée lors des travaux. Utiliser un aspirateur avec une classification de sécurité autorisée officiellement et conforme aux dispositions locales concernant les poussières.
- ▶ Lors de travaux de perforation, protéger l'espace du côté opposé aux travaux. Risque de blessure si l'outil traverse le matériau support.
- ▶ Pendant la coupe, ne pas intervenir en dessous de la pièce à travailler.

Consignes de sécurité pour le module récupérateur de poussières WSJ-DRS

- ▶ Lors du remplacement du filtre, tenir le produit et/ou le WSJ-DRS de sorte que le bac à poussière puisse être retiré à la verticale vers le bas. Ceci permet d'éviter que la poussière ne sorte.
- ▶ Porter un masque respiratoire léger lors du remplacement du filtre.

3 Description

3.1 Vue d'ensemble du produit



3.2 Utilisation conforme à l'usage prévu

Le produit décrit est une scie sauteuse pendulaire électrique à guidage manuel. Elle est conçue pour scier des matières plastiques, du bois, des métaux ainsi que des plaques de plâtre et d'aggloméré.



Le produit est équipé d'un tubulure d'aspiration pour un dispositif d'aspiration. Lors de travaux avec un dispositif d'aspiration, il faut démonter le capot d'aspiration.

L'appareil ne doit fonctionner qu'avec la tension réseau et la fréquence réseau indiquées sur la plaque signalétique.

3.3 Mauvaise utilisation possible

- Le produit ne doit pas être utilisé pour scier des branches ou des troncs d'arbre.
- Le produit ne doit pas être utilisé pour travailler des matériaux nocifs pour la santé.
- Le produit ne doit pas être utilisé pour des interventions en milieu humide.

3.4 Dispositif de soufflage des copeaux

La scie sauteuse pendulaire est équipée d'un dispositif de soufflage des copeaux.

Le dispositif de soufflage dirige un jet d'air vers la lame de scie afin de dégager la ligne de sciage de tous copeaux.

3.5 Cadence de coupe

La cadence de coupe peut être réglée sur la molette de réglage. La position 1 correspondant à (faible) jusqu'à la position 6 (élevée).

Le réglage approprié est déterminé par les exigences spécifiques aux différentes lames de scie.

3.6 4 positions de mouvement pendulaire

Le mouvement pendulaire réglable selon 4 positions permet d'adapter la puissance de coupe et l'aspect du tracé aux matériaux à scier. Le levier de réglage du mouvement pendulaire permet de commuter entre les 4 positions de réglage.

Plus l'arête de coupe doit être fine et précise, plus le degré du mouvement pendulaire doit être petit. Pour bien le régler, effectuer au préalable des essais dans des conditions pratiques.

État	Signification
Niveau 0	Aucun mouvement pendulaire
Niveau 1	Petit mouvement pendulaire
Niveau 2	Mouvement pendulaire moyen
Niveau 3	Grand mouvement pendulaire

3.7 Plaquette de protection brise-copeau

Le produit peut être équipé d'une plaquette de protection brise-copeau.

La plaquette de protection brise-copeau empêche l'arrachage de la surface lors du sciage de matériaux en bois.

3.8 Dispositif d'aspiration de poussière avec dispositif d'aspiration

L'aspiration de poussières réduit les nuisances dues à la poussière, augmente la sécurité du travail par une meilleure visibilité de la coupe et évite que le poste de travail ne soit encombré par de la poussière ou des copeaux.

Raccorder le dispositif d'aspiration externe pour des travaux prolongés de sciage du bois ou de matériaux susceptibles de générer beaucoup de poussière.

Lorsqu'un dispositif d'aspiration externe est utilisé, le capot d'aspiration doit être monté.

3.9 Éléments livrés.

Scie sauteuse pendulaire, lame de scie, plaquette de protection brise-copeau, raccord d'aspiration, semelle, clé pour vis à six pans creux, capot de protection, mode d'emploi.

D'autres produits système pour votre produit peuvent être trouvés dans votre **Hilti Store** ou à l'adresse : www.hilti.group



4 Caractéristiques techniques

4.1 Scie sauteuse pendulaire

En cas d'utilisation avec un groupe électrogène ou un transformateur, leur puissance d'alimentation doit être au moins égale au double de la puissance indiquée sur la plaque signalétique de l'appareil. La tension de service du groupe électrogène ou du transformateur doit être toujours comprise entre +5 % et -15 % par rapport à la tension nominale de l'appareil.

Les indications de consigne valent pour une tension nominale de 120 V. Ces indications peuvent varier en cas de tensions différentes et de versions spécifiques au pays. La tension nominale, la fréquence du fonctionnement ainsi que la puissance absorbée de référence ou le courant nominal de l'appareil figurent sur la plaque signalétique.

	WSJ 750-ET	WSJ 750-EB	WSJ 850-ET	WSJ 850-EB
Puissance absorbée de référence	750 W (1,01 hp)	750 W (1,01 hp)	850 W (1,14 hp)	850 W (1,14 hp)
Poids	2,8 kg (6,2 lb)	2,6 kg (5,7 lb)	2,7 kg (6,0 lb)	2,6 kg (5,7 lb)
Profondeur de coupe maximale pour l'acier de construction	10 mm (0,4 in)	10 mm (0,4 in)	10 mm (0,4 in)	10 mm (0,4 in)
Profondeur de coupe maximale pour le bois	120 mm (4,7 in)	120 mm (4,7 in)	150 mm (5,9 in)	150 mm (5,9 in)

4.2 Module d'aspiration de poussières

	WSJ-DRS
Poids	0,25 kg (0,55 lb)

5 Utilisation de rallonges électriques

AVERTISSEMENT

Danger engendré par un câble endommagé ! Si le câble d'alimentation réseau ou de rallonge est endommagé pendant le travail, ne pas le toucher. Débrancher la prise.

▶ Contrôler régulièrement les câbles de raccordement de l'appareil et les faire remplacer par un spécialiste s'ils sont endommagés.

- Utiliser uniquement des rallonges homologuées pour le domaine d'utilisation concerné et de section suffisante. Sinon, une perte de puissance de l'appareil et une surchauffe du câble risquent de se produire.
- Vérifier régulièrement l'état de la rallonge électrique.
- Remplacer les rallonges électriques endommagées.
- À l'extérieur, n'utiliser que des rallonges homologuées et dotées du marquage adéquat.

Les sections minimales recommandées et les longueurs maximales de câbles se trouvent à la fin de la présente documentation, sous forme de code QR.

6 Préparatifs

ATTENTION

Risque de blessures ! Mise en marche inopinée du produit.

▶ Retirer la fiche de la prise avant d'effectuer des réglages sur l'appareil ou de changer les accessoires.

Bien respecter les consignes de sécurité et les avertissements de la présente documentation ainsi que celles figurant sur le produit.

6.1 Mise en place de la lame de scie

1. Appuyer sur le levier de déverrouillage de la lame de scie et le maintenir enfoncé.



2. Pousser la lame de scie (dents dans le sens de la coupe) dans le porte-outil jusqu'à ce qu'elle s'encliquette.
3. Retenir la lame de scie contre la résistance et laisser le levier de déverrouillage revenir en place.
4. Vérifier en tirant sur la lame de scie qu'elle est bien verrouillée.

6.2 Montage du raccord d'aspiration 3

1. Enfiler le raccord d'aspiration dans l'ouverture du produit.
2. Pousser le raccord d'aspiration par le bas contre le produit jusqu'à ce qu'il s'enclenche.
3. Raccorder le tuyau de l'aspirateur de poussières sur le raccord d'aspiration.

6.3 Pose du capot de protection 4

- ▶ Pousser le capot de protection par l'avant sur l'appareil jusqu'à ce qu'il s'encliquette.

6.4 Réglage du mouvement pendulaire 5

Le mouvement pendulaire réglable selon 4 positions permet d'adapter la puissance de coupe et l'aspect du tracé aux matériaux à scier.

Le levier de réglage du mouvement pendulaire permet de commuter entre les 4 positions de réglage.

Plus le tracé doit être fin et précis, plus le degré du mouvement pendulaire doit être petit.

Pour bien le régler, effectuer au préalable des essais dans des conditions pratiques.

Le réglage approprié est déterminé par les exigences spécifiques aux différentes lames de scie.

État	Signification
Niveau 0	Aucun mouvement pendulaire
Niveau 1	Petit mouvement pendulaire
Niveau 2	Mouvement pendulaire moyen
Niveau 3	Grand mouvement pendulaire

6.5 Réglage de la cadence de coupe 6

- ▶ Régler la cadence de coupe entre 1 (faible) et 6 (élevée).
 - ▶ Pour connaître le réglage qui convient, se référer aux exigences selon la lame de scie concernée.

6.6 Montage de la plaquette de protection brise-copeau 7



La fonction peut uniquement être utilisée pour des lames de scie prévues à cet effet.

- ▶ Appuyer sur la plaquette de protection brise-copeau par le bas dans la semelle.

6.7 Réglage de l'angle de coupe 8

1. Enlever la tubulure d'aspiration.
2. Desserrer la vis.
3. Tirer la plaque de base légèrement vers l'avant.
4. Régler l'angle souhaité à l'aide de la graduation sur le produit.
5. Serrer la vis à fond.

6.8 Déplacement de la plaque de base 9

1. Desserrer la vis.
2. Repousser la plaque de base jusqu'en butée.
3. Serrer la vis à fond.

6.9 Montage de la semelle de la plaque de base



Utiliser la semelle de la plaque de base pour travailler des matériaux sensibles aux rayures.



1. Accrocher la semelle de la plaque de base à l'avant sur la plaque de base.
2. Appuyer la semelle de la plaque de base à l'arrière contre la plaque de base jusqu'à ce qu'elle s'encenche.

7 Travail



AVERTISSEMENT

Danger engendré par un câble endommagé ! Si le câble d'alimentation ou de rallonge est endommagé en cours de travail, débrancher immédiatement l'appareil et le câble du réseau. Ne pas toucher aux pièces défectueuses !

- ▶ Contrôler régulièrement les câbles de branchement. Remplacer les câbles de rallonge défectueux. Les câbles d'alimentation défectueux doivent être remplacés par un professionnel agréé.

Par principe, il est recommandé d'utiliser un interrupteur de protection contre les courants de court-circuit (RCD) avec un courant de déclenchement maximal de 30 mA.

7.1 Raccordement du dispositif d'aspiration de poussières **10**



L'aspiration de poussières réduit les nuisances dues à la poussière, augmente la sécurité du travail par une meilleure visibilité de la coupe et évite que le poste de travail ne soit encombré par de la poussière ou des copeaux.

1. Poser le capot de protection. → Page 20
2. Raccorder le dispositif d'aspiration en cas de travaux prolongés de sciage du bois ou de matériaux susceptibles de générer une plus forte concentration de poussière.

7.2 Mise en marche **11**

1. Si l'équipement suivant existe, procéder de plus à cette action :

WSJ 750-ET
WSJ 850-ET

- ▶ Appuyer sur l'interrupteur Marche / Arrêt.
- ▶ Appuyer ensuite sur le bouton de blocage.
 - ▶ L'interrupteur Marche / Arrêt s'enclenche en position < Marche >.
- ▶ Pour déverrouiller le bouton de blocage, ré-appuyer sur l'interrupteur Marche / Arrêt.

2. Si l'équipement suivant existe, procéder de plus à cette action :

WSJ 750-EB
WSJ 850-EB

- ▶ Allumer le produit avec l'interrupteur à coulisse.

7.3 Sciage en plongée **12**

1. Mettre le levier de réglage du mouvement pendulaire sur la position 0.
2. Poser le produit de sorte que le bord avant de la plaque de base repose sur la pièce travaillée.
3. Maintenir fermement le produit et appuyer sur l'interrupteur Marche / Arrêt.
4. Appuyer fortement le produit contre la pièce à travailler et plonger en réduisant l'angle d'appui.
5. Une fois que la pièce à travailler est traverser, ramener le produit en position de travail normale.
 - ▶ La semelle repose sur toute la surface.
6. Continuer à scier le long de la ligne de sciage.

8 Démontage



ATTENTION

Risque de blessures ! Mise en marche inopinée du produit.

- ▶ Retirer la fiche de la prise avant d'effectuer des réglages sur l'appareil ou de changer les accessoires.

Bien respecter les consignes de sécurité et les avertissements de la présente documentation ainsi que celles figurant sur le produit.



8.1 Retrait du capot de protection **13**

- ▶ Incliner légèrement le capot de protection et le retirer par l'avant.

8.2 Réinitialisation de l'angle de coupe

1. Desserrer la vis.
2. Régler l'angle de coupe sur 0°.
3. Pousser la plaque de base dans sa position d'origine.
4. Serrer la vis à fond.

8.3 Démontage du dispositif d'aspiration de poussières **14**

1. Débrancher le tuyau de l'aspirateur de poussières du raccord d'aspiration.
2. Pousser le raccord d'aspiration vers le bas et l'extraire du produit.

8.4 Retrait de la lame de scie **15**

AVERTISSEMENT

Risque de blessures. Une éjection non contrôlée de la lame de scie risque d'entraîner des blessures.

- ▶ Lors du retrait de la lame de scie, tenir le produit de sorte qu'aucune personne ou animal ne risque d'être blessé(e) par la lame de scie retirée.
-
- ▶ Pousser le levier de déverrouillage de la lame de scie jusqu'en butée sur le côté.
 - ▶ La lame de scie est dégagée et éjectée.

9 Nettoyage et entretien

AVERTISSEMENT

Danger d'électrocution ! Les travaux de nettoyage et d'entretien effectués avec fiche branchée à la prise peuvent entraîner de graves blessures ou brûlures.

- ▶ Toujours retirer la fiche de la prise avant tous travaux de nettoyage et d'entretien !

Nettoyage


- Éliminer prudemment les saletés récalcitrantes.
- Nettoyer les ouïes d'aération avec précaution au moyen d'une brosse sèche.
- Nettoyer le boîtier uniquement avec un chiffon légèrement humidifié. Ne pas utiliser de nettoyants à base de silicone, ceci pourrait attaquer les pièces en plastique.

Entretien

AVERTISSEMENT

Risque d'électrocution ! Des réparations inappropriées sur des composants électriques peuvent entraîner de graves blessures corporelles et brûlures.

- ▶ Toute réparation des pièces électriques ne doit être effectuée que par un électricien qualifié.
-
- Vérifier régulièrement qu'aucune pièce visible n'est endommagée et que les organes de commande sont parfaitement opérationnels.
 - En cas d'endommagements et/ou de dysfonctionnements, ne pas utiliser le produit. Le faire immédiatement réparer par le S.A.V. **Hilti**.
 - Après des travaux de nettoyage et d'entretien, vérifier si tous les équipements de protection sont bien en place et fonctionnent parfaitement.

 Pour une utilisation en toute sécurité, utiliser uniquement des pièces de rechange et consommables d'origine. Vous trouverez les pièces de rechange, consommables et accessoires autorisés convenant pour votre produit dans le centre **Hilti Store** ou sous : **www.hilti.group**.



9.1 Vidage du bac à poussières

AVERTISSEMENT

Danger dû à la poussière Tapoter sur le module collecteur d'aspiration de poussière dégage de la poussière.

- ▶ Porter un masque respiratoire léger.

1. Appuyer simultanément sur les deux boutons à gauche et à droite du bac à poussières.
2. Tirer le bac à poussières vers le bas.
3. Tapoter sur le bac à poussières pour la faire tomber ou nettoyer le bac à poussières avec un aspirateur.

9.2 Nettoyage du raccord d'aspiration

1. Nettoyer le raccord d'aspiration.
2. Contrôler si les parties mobiles fonctionnent correctement et si elles ne sont pas coincées, et contrôler si des pièces sont cassées ou endommagées et affectent le bon fonctionnement du produit.

9.3 Nettoyage des lames de scie

1. Dérésiner régulièrement les lames de scie usagées.
2. Pour dérésiner, plonger les lames de scie pendant 24 heures dans un solvant d'origine minérale (white spirit) ou un détachant courant.

10 Transport et entreposage

Transport

- ▶ Ne jamais transporter ce produit avec outil monté.
- ▶ Veiller à le tenir fermement pendant le transport.
- ▶ Vérifier après chaque transport qu'aucune pièce visible n'est endommagée et que les organes de commande sont parfaitement opérationnels.

Stockage

- ▶ Toujours stocker l'appareil avec la fiche secteur débranchée.
- ▶ Stocker cet appareil à l'état sec hors de portée des enfants et des personnes non autorisées.
- ▶ Vérifier après un stockage prolongé qu'aucune pièce visible n'est endommagée et que les organes de commande sont parfaitement opérationnels.

11 Guide de dépannage

En cas de défaillances non énumérées dans ce tableau ou auxquelles il n'est pas possible de remédier sans aide, contacter le S.A.V. **Hilti**.

Défaillance	Causes possibles	Solution
Lame de scie mal fixée.	Lame de scie pas bien bloquée.	▶ Répéter l'opération de serrage en veillant à ce que le porte-outil soit entièrement ouvert et à ce que la lame de scie soit poussée contre la résistance.
	Système de serrage encrassé.	▶ Nettoyer le porte-outil.
Impossible d'insérer la lame de scie.	Système de serrage encrassé.	▶ Nettoyer le porte-outil.
Mise en marche impossible du produit.	Fiche secteur non branchée.	▶ Vérifier la connexion.
	Interrupteur défectueux ou encrassé.	▶ Nettoyer l'interrupteur de l'extérieur avec un chiffon de nettoyage.
WSJ 750-ET WSJ 850-ET Impossible de bloquer l'interrupteur.	Interrupteur défectueux ou encrassé.	▶ Nettoyer l'interrupteur de l'extérieur avec un chiffon de nettoyage.



Défaillance	Causes possibles	Solution
Impossible de régler le mouvement pendulaire.	Rainure encrassée.	► Nettoyer la rainure du levier de réglage du mouvement pendulaire.
Levier de réglage du mouvement pendulaire inopérant.	Fourche pendulaire encrassée.	► Vérifier la zone de la fourche pendulaire est encrassée et éliminer la saleté.
	Levier de réglage du mouvement pendulaire en position "0".	► Régler la valeur souhaitée.
Impossible de régler la vitesse de rotation.	Molette de réglage défectueuse ou encrassée.	► Nettoyer la molette de réglage de l'extérieur.
Vitesse de rotation trop élevée ou trop basse.	Valeur réglée incorrecte.	► Vérifier la valeur réglée (graduation sur la molette de réglage) et modifier le réglage en conséquence.
L'aspiration avec le dispositif d'aspiration ou le WSJ-DRS ne fonctionne pas.	Capot d'aspiration non monté.	► S'assurer que l'aspirateur de poussières fonctionne et que le raccord d'aspiration et le capot d'aspiration sont bien raccordés.
	Canaux du produit et/ou raccord d'aspiration encrassés.	► Nettoyer le raccord et vérifier si l'accessoire est compatible.
Impossible de faire pivoter la plaque de base.	Vis de fixation non desserrée.	► Vérifier la vis et la desserrer si nécessaire.
	Raccord avec le produit encrassé.	► Nettoyer la zone entre la plaque de base et le produit.
WSJ 850-EB WSJ 850-ET	Raccord avec la plaque de base encrassé.	► Nettoyer le raccord.
impossible de monter les accessoires.	Accessoire inapproprié.	► Vérifier si l'accessoire est compatible.
Le module d'aspiration DRS ne fonctionne pas.	Raccordement au produit incorrect.	► Vérifier le raccordement au produit.
	Bac à poussières plein.	► Vider le bac à poussières.
	Filtre encrassé.	► Nettoyer le filtre ou remplacer le bac à poussières.
Coupe non droite.	Lame de scie incompatible avec l'application.	► Utiliser une nouvelle de scie compatible.
	Lame de scie émoussée ou endommagée.	► Utiliser une nouvelle lame de scie.
Le matériau à travailler s'échauffe trop.	Effort et cadence de coupe trop élevés.	► Réduire la vitesse de rotation et la pression d'appui.
Le matériau à travailler s'échauffe trop (métal).	Manque de lubrification lors du sciage de métaux.	► Utiliser une nouvelle lame de scie et veiller à une lubrification suffisante entre la lame de scie et la pièce à travailler.




12 Recyclage

AVERTISSEMENT

Risque de blessures. Danger en cas de recyclage incorrect.

- ▶ En cas de recyclage incorrect du matériel, les risques suivants peuvent se présenter : La combustion de pièces en plastique risque de dégager des fumées et gaz toxiques nocifs pour la santé. Les batteries abîmées ou fortement échauffées peuvent exploser, causer des empoisonnements ou intoxications, des brûlures (notamment par acides), voire risquent de polluer l'environnement. En cas de recyclage sans précautions, des personnes non autorisées risquent d'utiliser le matériel de manière incorrecte. Ce faisant, il y a risque de se blesser sérieusement, d'infliger de graves blessures à des tierces personnes et de polluer l'environnement.
- ▶ Éliminer sans tarder les accus défectueux. Les tenir hors de portée des enfants. Ne pas détruire les accus ni les incinérer.
- ▶ Éliminer les accus conformément aux prescriptions nationales en vigueur ou restituer les accus ayant servi à **Hilti**.

 Les appareils **Hilti** sont fabriqués pour une grande partie en matériaux recyclables. Le recyclage présuppose un tri adéquat des matériaux. **Hilti** reprend les appareils usagés dans de nombreux pays en vue de leur recyclage. Consulter le service clients **Hilti** ou un conseiller commercial.

13 Déclaration FCC (valable aux États-Unis) / Déclaration IC (valable au Canada)

Cet appareil est conforme au paragraphe 15 des dispositions FCC et RSS-210 de IC. La mise en service est soumise aux deux conditions suivantes :

1. Cet appareil ne devrait pas générer de rayonnements nuisibles.
2. L'appareil doit absorber toutes sortes de rayonnements, y compris les rayonnements entraînant des opérations indésirables.

14 Informations complémentaires

Vous trouverez des informations complémentaires sur votre produit sous forme de code QR à la fin de la présente documentation.

15 Garantie constructeur

- ▶ En cas de questions sur les conditions de garantie, veuillez vous adresser à votre partenaire **Hilti** local.

Manual de instrucciones original

1 Información sobre la documentación

1.1 Acerca de esta documentación

- Lea detenidamente esta documentación antes de la puesta en servicio. Ello es imprescindible para un trabajo seguro y un manejo sin problemas.
- Respete las indicaciones de seguridad y las advertencias presentes en esta documentación y en el producto.
- Conserve este manual de instrucciones siempre junto con el producto y entregue el producto a otras personas siempre acompañado del manual.

1.2 Explicación de símbolos

1.2.1 Avisos

Las advertencias de seguridad advierten de peligros derivados del manejo del producto. Se utilizan las siguientes palabras de peligro:



⚠ PELIGRO**PELIGRO !**

- ▶ Término utilizado para un peligro inminente que puede ocasionar lesiones graves o incluso la muerte.

⚠ ADVERTENCIA**ADVERTENCIA !**





- ▶ Término utilizado para un posible peligro que puede ocasionar lesiones graves o incluso la muerte.

⚠ PRECAUCIÓN**PRECAUCIÓN !**

- ▶ Término utilizado para una posible situación peligrosa que puede ocasionar lesiones o daños materiales.


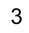


1.2.2 Símbolos en la documentación

En esta documentación se utilizan los siguientes símbolos:

	Leer el manual de instrucciones antes del uso
	Indicaciones de uso y demás información de interés
	Manejo con materiales reutilizables
	No tirar las herramientas eléctricas y las baterías junto con los desperdicios domésticos

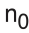

1.2.3 Símbolos en las figuras

En las figuras se utilizan los siguientes símbolos:

	Estos números hacen referencia a la figura correspondiente incluida al principio de este manual
	La numeración describe el orden de los pasos de trabajo en la imagen y puede ser diferente de los pasos descritos en el texto
	Los números de posición se utilizan en la figura Vista general y los números de la leyenda están explicados en el apartado Vista general del producto
	Preste especial atención a este símbolo cuando utilice el producto.

1.3 Símbolos dependientes del producto**1.3.1 Símbolos en el producto**

En el producto se utilizan los siguientes símbolos:

	Número de carreras en marcha en vacío
	Aislamiento doble

1.4 Información del producto

Los productos **HILTI** han sido diseñados para usuarios profesionales y solo personal autorizado y debidamente formado puede utilizarlos y llevar a cabo su mantenimiento y conservación. Este personal debe estar especialmente instruido en lo referente a los riesgos de uso. La utilización del producto y sus dispositivos auxiliares puede conllevar riesgos para el usuario en caso de manejarse de forma inadecuada por personal no cualificado o utilizarse para usos diferentes a los que están destinados.

La denominación del modelo y el número de serie están indicados en la placa de identificación.



- ▶ Escriba el número de serie en la siguiente tabla. Necesitará los datos del producto para realizar consultas a nuestros representantes o al Departamento de Servicio Técnico.

Datos del producto

Sierra de calar de carrera pendular	WSJ 750 WSJ 850
Generación:	01
N.º de serie:	

1.5 Declaración de conformidad

Bajo nuestra exclusiva responsabilidad, declaramos que el producto aquí descrito cumple con las directivas y normas vigentes. Encontrará una reproducción del organismo certificador al final de esta documentación. La documentación técnica se encuentra depositada aquí:

Hilti Entwicklungsgesellschaft mbH | Zulassung Geräte | Hiltistraße 6 | 86916 Kaufering, DE

2 Seguridad

2.1 Indicaciones generales de seguridad para herramientas eléctricas

⚠ ADVERTENCIA Lea con atención todas las indicaciones de seguridad, instrucciones, ilustraciones y datos técnicos correspondientes a esta herramienta eléctrica. La negligencia en el cumplimiento de las instrucciones que se describen a continuación podría provocar descargas eléctricas, incendios o lesiones graves.

Conserve todas las instrucciones e indicaciones de seguridad para futuras consultas.

El término «herramienta eléctrica» empleado en las indicaciones de seguridad se refiere a herramientas eléctricas portátiles, ya sea con cable de red o sin cable, en caso de ser accionadas por batería.

Seguridad en el puesto de trabajo

- ▶ **Mantenga su área de trabajo limpia y bien iluminada.** El desorden o una iluminación deficiente de las zonas de trabajo pueden provocar accidentes.
- ▶ **No utilice la herramienta eléctrica en un entorno con peligro de explosión en el que se encuentren líquidos, gases o polvos inflamables.** Las herramientas eléctricas producen chispas que pueden llegar a inflamar los materiales en polvo o vapores.
- ▶ **Mantenga alejados a los niños y otras personas de su puesto de trabajo al emplear la herramienta eléctrica.** Una distracción le puede hacer perder el control sobre la herramienta.

Seguridad eléctrica

- ▶ **El enchufe de la herramienta eléctrica debe corresponder a la toma de corriente utilizada. No se deberá modificar el enchufe en forma alguna. No utilice enchufes adaptadores para las herramientas eléctricas con puesta a tierra.** Los enchufes sin modificar adecuados a las respectivas tomas de corriente reducen el riesgo de descarga eléctrica.
- ▶ **Evite el contacto corporal con superficies que tengan puesta a tierra, como pueden ser tubos, calefacciones, cocinas y frigoríficos.** El riesgo a quedar expuesto a una sacudida eléctrica es mayor si su cuerpo tiene contacto con tierra.
- ▶ **No exponga las herramientas eléctricas a la lluvia y evite que penetren líquidos en su interior.** El riesgo de recibir descargas eléctricas aumenta si penetra agua en la herramienta eléctrica.
- ▶ **No utilice el cable de conexión para transportar o colgar la herramienta eléctrica ni tire de él para extraer el enchufe de la toma de corriente. Mantenga el cable de conexión alejado de fuentes de calor, aceite, aristas afiladas o piezas móviles.** Los cables de conexión dañados o enredados pueden provocar descargas eléctricas.
- ▶ **Cuando trabaje al aire libre con una herramienta eléctrica, utilice exclusivamente un alargador adecuado para exteriores.** La utilización de un alargador adecuado para su uso en exteriores evita el riesgo de una descarga eléctrica.
- ▶ **Cuando no pueda evitarse el uso de la herramienta eléctrica en un entorno húmedo, utilice un interruptor de corriente de defecto.** La utilización de un interruptor de corriente de defecto evita el riesgo de una descarga eléctrica.

Seguridad de las personas

- ▶ **Permanezca atento, preste atención durante el trabajo y utilice la herramienta eléctrica con prudencia. No utilice una herramienta eléctrica si está cansado, ni tampoco después de haber consumido alcohol, drogas o medicamentos.** Un momento de descuido al utilizar la herramienta eléctrica podría producir graves lesiones.



- ▶ **Utilice el equipo de seguridad personal adecuado y lleve siempre gafas protectoras.** El riesgo de lesiones se reduce considerablemente si, según el tipo y la aplicación de la herramienta eléctrica empleada, se utiliza un equipo de seguridad personal adecuado como una mascarilla antipolvo, zapatos de seguridad con suela antideslizante, casco de protección o protección para los oídos.
- ▶ **Evite una puesta en servicio fortuita de la herramienta. Asegúrese de que la herramienta eléctrica está apagada antes de alzarla, transportarla, conectarla a la toma de corriente o insertar la batería.** Si transporta la herramienta eléctrica sujetándola por el interruptor de conexión/desconexión o si introduce el enchufe en la toma de corriente con la herramienta conectada, podría producirse un accidente.
- ▶ **Retire las herramientas de ajuste o llaves fijas antes de conectar la herramienta eléctrica.** Una herramienta o llave colocada en una pieza giratoria puede producir lesiones al ponerse en funcionamiento.
- ▶ **Evite adoptar posturas forzadas. Procure que la postura sea estable y manténgase siempre en equilibrio.** De esta forma podrá controlar mejor la herramienta eléctrica en caso de presentarse una situación inesperada.
- ▶ **Utilice ropa adecuada. No utilice vestimenta amplia ni joyas. Mantenga su pelo, vestimenta y guantes alejados de las piezas móviles.** La vestimenta suelta, las joyas y el pelo largo se pueden enganchar con las piezas en movimiento.
- ▶ **Siempre que sea posible montar equipos de aspiración o captación de polvo, asegúrese de que están conectados y de que se utilizan correctamente.** El uso de un sistema de aspiración de polvo reduce los riesgos derivados del polvo.
- ▶ **No se crea a salvo de cualquier riesgo ni pase por alto ninguna de las normas de seguridad relativas a las herramientas eléctricas, aun cuando esté familiarizado con la herramienta eléctrica y tenga larga experiencia en su uso.** Una actuación negligente puede provocar lesiones graves en cuestión de segundos.

Uso y manejo de la herramienta eléctrica

- ▶ **No sobrecargue la herramienta. Utilice la herramienta eléctrica adecuada para el trabajo que se dispone a realizar.** Con la herramienta eléctrica apropiada podrá trabajar mejor y de modo más seguro dentro del margen de potencia indicado.
- ▶ **No utilice herramientas eléctricas con el interruptor defectuoso.** Las herramientas eléctricas que no se puedan conectar o desconectar son peligrosas y deben repararse.
- ▶ **Extraiga el enchufe de la toma de corriente o retire la batería extraíble antes de efectuar cualquier ajuste en la herramienta, cambiar accesorios o en caso de no utilizar la herramienta durante un tiempo prolongado.** Esta medida preventiva evita el riesgo de arranque accidental de la herramienta eléctrica.
- ▶ **Guarde las herramientas eléctricas que no utilice fuera del alcance de los niños. No permita utilizar la herramienta a ninguna persona que no esté familiarizada con ella o que no haya leído este manual de instrucciones.** Las herramientas eléctricas utilizadas por personas inexpertas son peligrosas.
- ▶ **Cuide su herramienta eléctrica y los accesorios adecuadamente. Compruebe si las piezas móviles de la herramienta funcionan correctamente y sin atascarse, y si existen piezas rotas o deterioradas que pudieran afectar al funcionamiento de la herramienta eléctrica. Encargue la reparación de las piezas defectuosas antes de usar la herramienta eléctrica.** Muchos accidentes son consecuencia de un mantenimiento inadecuado de la herramienta eléctrica.
- ▶ **Mantenga los útiles limpios y afilados.** Las herramientas de corte bien cuidadas y con aristas afiladas se atascan menos y se guían con más facilidad.
- ▶ **Utilice la herramienta eléctrica, los accesorios, útiles de inserción, etc., de acuerdo con estas instrucciones. Para ello, tenga en cuenta las condiciones de trabajo y la tarea que se va a realizar.** El uso de herramientas eléctricas para trabajos diferentes de aquellos para los que han sido concebidas puede resultar peligroso.
- ▶ **Mantenga las empuñaduras y las superficies de contacto secas, limpias y sin residuos de aceite o grasa.** Las empuñaduras y superficies de contacto resbaladizas impiden manejar y controlar la herramienta eléctrica con seguridad en situaciones imprevistas.

Servicio Técnico

- ▶ **Solicite un profesional lleve a cabo la reparación de su herramienta eléctrica y que utilice exclusivamente piezas de repuesto originales.** Solamente así se garantiza la seguridad de la herramienta eléctrica.

2.2 Indicaciones de seguridad para sierras con hojas de sierra de vaivén

- ▶ **Sujete la herramienta eléctrica por las empuñaduras aisladas cuando realice trabajos en los que el útil de inserción pueda entrar en contacto con cables eléctricos ocultos o con el propio cable de**



conexión de la herramienta. El contacto con los cables conductores puede traspasar la conductividad a las partes metálicas y producir descargas eléctricas.

- ▶ **Fije y asegure la herramienta a una superficie estable con abrazaderas o mediante otro sistema.** Si solo utiliza la mano para sujetar la pieza de trabajo o se la apoya contra el cuerpo, la pieza estará inestable, lo que puede provocar una pérdida de control.

2.3 Indicaciones de seguridad adicionales

Seguridad de las personas

- ▶ **No está permitido efectuar manipulaciones o modificaciones en la herramienta.**
- ▶ **Sujete la herramienta eléctrica por las empuñaduras aisladas cuando realice trabajos en los que el útil de inserción puede entrar en contacto con cables eléctricos ocultos o con el propio cable de red de la herramienta.** El contacto con los cables conductores puede traspasar la conductividad a las partes metálicas y producir descargas eléctricas.
- ▶ **Utilice protección para los oídos.** El ruido constante puede reducir la capacidad auditiva.
- ▶ **Utilice una mascarilla ligera cuando realice trabajos que generen polvo.**
- ▶ **Efectúe pausas durante el trabajo, así como ejercicios de relajación y estiramiento de los dedos para mejorar la circulación de estos.**
- ▶ **La herramienta no es adecuada para personas con poca fuerza a las que no se haya instruido.**
- ▶ **Mantenga la herramienta fuera del alcance de los niños.**
- ▶ **Retire siempre hacia atrás el cable eléctrico y el alargador durante el trabajo.** De esta forma se evita el peligro de tropiezo por culpa del cable.
- ▶ **Utilice guantes de protección.** Durante el funcionamiento, la sierra de calar de carrera pendular puede calentarse. Si se tocan los útiles al cambiarlos se pueden producir cortes y quemaduras.
- ▶ El polvo procedente de materiales como pinturas con plomo, determinadas maderas, minerales y metal puede ser nocivo para la salud. El contacto con el polvo o su inhalación puede provocar reacciones alérgicas o enfermedades de las vías respiratorias al usuario o a personas que se encuentren en su entorno. Existen determinadas clases de polvo, como pueden ser el de roble o el de haya, catalogadas como cancerígenas, especialmente si se encuentra mezclado con aditivos usados en el tratamiento de la madera (cromato, agente protector para la madera). **Utilice siempre que sea posible un sistema efectivo de aspiración de polvo. Para ello, utilice un aspirador de polvo portátil para madera y/o polvo mineral recomendado por Hilti y compatible con esta herramienta eléctrica. Respete la normativa vigente en su país relativa a los materiales que se van a procesar.**

Seguridad eléctrica

- ▶ **Compruebe antes de empezar a trabajar si la zona de trabajo oculta cables eléctricos, tuberías de gas o cañerías de agua, por ejemplo, con un detector de metales.** Las partes metálicas exteriores de la herramienta pueden pasar a conducir electricidad si, por ejemplo, se ha dañado por error un cable eléctrico. Dichas partes suponen un peligro serio por el riesgo de una descarga eléctrica.
- ▶ **Compruebe con regularidad el cable de conexión de la herramienta y, en caso de que presentara daños, encargue su sustitución a un profesional experto en la materia. Si el cable de conexión de la herramienta eléctrica está dañado, debe reemplazarse por un cable especial homologado que encontrará en nuestro Servicio Posventa. Inspeccione regularmente los alargadores y sustitúyalos en caso de que estuvieran dañados. Si se daña el cable de red o el alargador durante el trabajo, evite tocar el cable. Extraiga el enchufe de red de la toma de corriente. Los cables de conexión y los alargadores dañados suponen un peligro, pues pueden ocasionar una descarga eléctrica.**
- ▶ **Encargue una revisión periódica de la herramienta al Servicio Técnico Hilti en caso de tratar con frecuencia materiales conductores.** El polvo adherido en la superficie de la herramienta, sobre todo el de los materiales conductivos, o la humedad pueden provocar descargas eléctricas en condiciones desfavorables.
- ▶ **En caso de interrupción de la corriente, desconecte la herramienta y extraiga el enchufe de red.** Esto evita la puesta en servicio involuntaria de la herramienta cuando vuelva la corriente.

Indicaciones de seguridad especiales para sierras de calar.

- ▶ **Aparte siempre el producto del cuerpo cuando se esté cortando con él.**
- ▶ **No ponga nunca las manos delante de la hoja de sierra o en la misma.**
- ▶ **No corte en superficies desconocidas y mantenga la guía de corte libre de obstáculos por arriba y por abajo.** Si la hoja de sierra topa con un obstáculo, puede provocar un retroceso en el producto.
- ▶ Desconecte el producto antes de transportarlo.
- ▶ **No utilice nunca el producto sin la protección contra contacto accidental montada. Evite tocar las piezas en movimiento. No conecte la herramienta fuera de la zona de trabajo.** Si se tocan las piezas en movimiento, en especial los útiles de inserción rotativos, pueden ocasionarse lesiones.



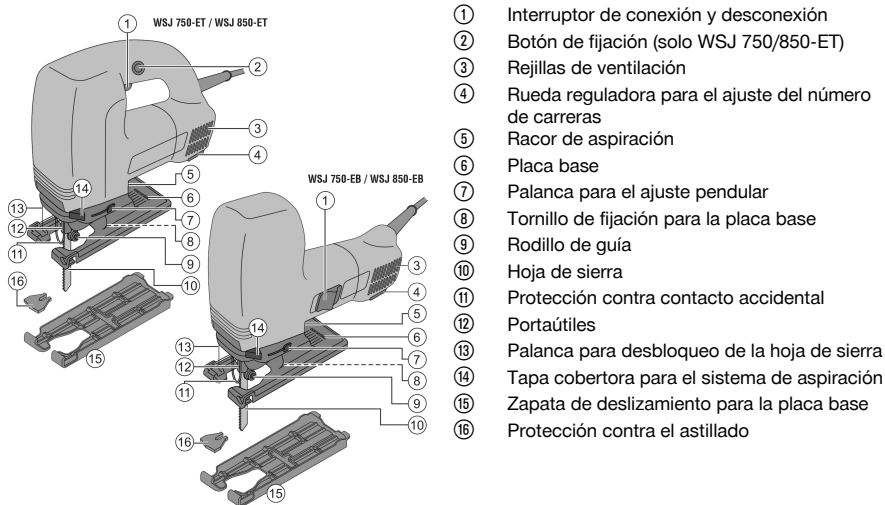
- ▶ **Antes de iniciar el trabajo, consulte la clase de peligros derivados del polvo resultante del trabajo. Utilice un aspirador de obra con una clasificación de protección homologada conforme a las normas locales sobre la protección contra el polvo.**
- ▶ **Durante el proceso de taladrado proteja la zona opuesta al lugar donde se realiza el trabajo.** Existe riesgo de lesiones en caso de que la superficie de trabajo se rompa con el uso de la herramienta.
- ▶ Al serrar, no sujete la pieza de trabajo por debajo.

Indicaciones de seguridad para el módulo de aspiración WSJ-DRS

- ▶ A la hora de cambiar el filtro, sujete el producto y/o el WSJ-DRS de manera que el compartimento del polvo pueda extraerse en vertical hacia abajo. De esta manera se evita que salga polvo.
- ▶ Utilice una mascarilla ligera cuando cambie el filtro.

3 Descripción

3.1 Vista general del producto 1



3.2 Uso conforme a las prescripciones

El producto descrito es una sierra de calar de carrera pendular de guiado manual y accionamiento eléctrico. Es adecuada para serrar plástico, madera y metal así como tableros de fibra y yeso.

El producto está equipado con un racor de aspiración para acoplar un dispositivo de aspiración. Durante los trabajos con un dispositivo de aspiración, la tapa cobertora debe estar montada.

Solo debe funcionar con la frecuencia y tensión de alimentación especificadas en la placa de identificación.

3.3 Posibles usos indebidos

- El producto no debe utilizarse para serrar ramas ni troncos.
- El producto no debe utilizarse para trabajar con materiales nocivos para la salud.
- El producto no debe utilizarse para trabajos en entornos húmedos.

3.4 Dispositivo soplador antivirutas

La sierra de calar de carrera pendular está equipada con un dispositivo soplador antivirutas.

El dispositivo soplador dirige un chorro de aire hacia la hoja de sierra para mantener la línea de corte libre de virutas.

3.5 Número de carreras

El número de carreras puede ajustarse en la rueda reguladora. Corresponde a las posiciones 1 (pequeña) a 6 (grande).



Las indicaciones para un ajuste correcto las encontrará en la correspondiente información de la hoja de sierra.

3.6 4 niveles de movimiento pendular

Gracias a los 4 niveles de movimiento pendular, el rendimiento de corte y el perfil pueden adaptarse al material que se va a trabajar. La palanca para el ajuste de carrera pendular sirve para cambiar entre los cuatro niveles. Cuanto más preciso y delicado deba quedar el canto de corte, más pequeño ha de ser el nivel de movimiento pendular. El ajuste óptimo puede determinarse por medio de intentos prácticos.

Estado	Significado
Posición 0	Sin movimiento pendular
Posición 1	Movimiento pendular pequeño
Posición 2	Movimiento pendular medio
Posición 3	Movimiento pendular grande

3.7 Protección contra el astillado

El producto puede equiparse con una protección contra el astillado.

La protección contra el astillado impide el desgarro de la superficie al serrar materiales derivados de la madera.

3.8 Sistema de aspiración de polvo con dispositivo de aspiración

La aspiración de polvo disminuye la carga de polvo, aumenta la seguridad al mejorar la visibilidad del corte y evita las molestias por la acumulación de polvo y virutas en el lugar de trabajo.

Conecte el dispositivo de aspiración cuando vaya a trabajar durante mucho tiempo con madera o materiales con los que puedan producirse concentraciones altas de polvo.

Si trabaja con un dispositivo de aspiración, la tapa protectora ha de estar montada.

3.9 Suministro.

Sierra de calar de carrera pendular, hoja de sierra, protección contra el astillado, adaptador de aspiración, zapata de deslizamiento, llave de hexágono interior, tapa cobertora, manual de instrucciones.

Encontrará otros productos del sistema autorizados para su producto en su **Hilti Store** o en Internet, en: www.hilti.group

4 Datos técnicos

4.1 Sierra de calar de carrera pendular

Si se utiliza con un generador o transformador, la potencia útil debe ser al menos el doble de la potencia nominal indicada en la placa de identificación de la herramienta. La tensión de servicio del transformador o del generador debe encontrarse en todo momento entre un +5 % y un -15 % de la tensión nominal de la herramienta.

Los datos son válidos para una tensión de referencia de 120 V. Para tensiones distintas y variantes específicas de cada país, los datos pueden variar. La tensión nominal y la frecuencia, así como la potencia nominal o la intensidad nominal, figuran en la placa de identificación.

	WSJ 750-ET	WSJ 750-EB	WSJ 850-ET	WSJ 850-EB
Potencia nominal	750 W (1,01 hp)	750 W (1,01 hp)	850 W (1,14 hp)	850 W (1,14 hp)
Peso	2,8 kg (6,2 lb)	2,6 kg (5,7 lb)	2,7 kg (6,0 lb)	2,6 kg (5,7 lb)
Profundidad de corte máxima para acero de construcción	10 mm (0,4 in)	10 mm (0,4 in)	10 mm (0,4 in)	10 mm (0,4 in)
Profundidad de corte máxima para madera	120 mm (4,7 in)	120 mm (4,7 in)	150 mm (5,9 in)	150 mm (5,9 in)



4.2 Módulo de aspiración

	WSJ-DRS
Peso	0,25 kg (0,55 lb)

5 Uso de alargadores

ADVERTENCIA

Peligro por los cables dañados. Si se daña el cable de red o el alargador durante el trabajo, evitar tocar el cable. Extraer el enchufe de red de la toma de corriente.

- ▶ Compruebe con regularidad el cable de conexión de la herramienta y, en caso de que presentara daños, encargue su sustitución a un profesional experto en la materia.
- Utilice solo el alargador autorizado con sección de cable suficiente para el campo de aplicación. De lo contrario, puede generarse una pérdida de potencia de la herramienta y un sobrecalentamiento del cable.
- Compruebe regularmente que el alargador no haya sufrido daños.
- Sustituir los alargadores dañados.
- Al trabajar al aire libre, utilice únicamente alargadores autorizados que estén correspondientemente identificados.

Al final de esta documentación encontrará, en forma de código QR, las secciones mínimas recomendadas y las longitudes máximas del cable.

6 Preparación del trabajo

PRECAUCIÓN

Riesgo de lesiones. Arranque involuntario del producto.

- ▶ Extraiga el enchufe de red antes de realizar ajustes en la herramienta o de cambiar accesorios.

Respete las indicaciones de seguridad y las advertencias presentes en esta documentación y en el producto.

6.1 Colocación de la hoja de sierra

1. Pulse el desbloqueo de la hoja de sierra y manténgalo pulsado.
2. Presione la hoja de sierra (con los dientes en el sentido de corte) hacia el interior del portaútiles hasta que encaje.
3. Introduzca la hoja de la sierra a contrapresión y deje que el desbloqueo de la hoja de sierra se deslice hasta su posición original.
4. Tire de la hoja de sierra para comprobar que esté encajada.

6.2 Montaje del adaptador de aspiración

1. Acople el adaptador de aspiración en la abertura del producto.
2. Presione el adaptador de aspiración desde abajo contra el producto hasta que el adaptador encaje.
3. Conecte la manguera del aspirador al adaptador de aspiración.

6.3 Colocación de la tapa cobertura

- ▶ Deslice la tapa cobertura desde delante en el producto hasta que encaje.

6.4 Ajuste del movimiento pendular

Gracias a los 4 niveles de movimiento pendular, el rendimiento de corte y el perfil puede amoldarse al material que se va a trabajar.

La palanca para el ajuste de carrera pendular sirve para cambiar entre los cuatro niveles.

Cuanto más preciso y delicado deba quedar el canto de corte, más pequeño ha de ser el nivel de movimiento pendular.

El ajuste óptimo puede determinarse por medio de intentos prácticos.

Las indicaciones para un ajuste correcto las encontrará en la correspondiente información de la hoja de sierra.



Estado	Significado
Posición 0	Sin movimiento pendular
Posición 1	Movimiento pendular pequeño
Posición 2	Movimiento pendular medio
Posición 3	Movimiento pendular grande

6.5 Ajuste del número de carreras

- ▶ Defina en la rueda de ajuste el número de carreras entre 1 (pequeño) y 6 (grande).
 - ▶ Determine el ajuste correcto según lo requiera la hoja de sierra.

6.6 Montaje de la protección contra el astillado



La función solo puede utilizarse para las hojas de sierra previstas para ello.

- ▶ Presione la protección contra el astillado desde abajo en la placa base.

6.7 Ajuste del ángulo de corte

1. Desconecte el racor de aspiración.
2. Afloje el tornillo.
3. Retire ligeramente de la placa base hacia delante.
4. Ajuste el ángulo que desee utilizando la escala del producto.
5. Apriete el tornillo.

6.8 Desplazamiento de la placa base

1. Afloje el tornillo.
2. Presione la placa base de nuevo hasta el tope.
3. Apriete el tornillo.

6.9 Montaje de la zapata de deslizamiento para la placa base



Utilice la zapata de deslizamiento para la placa base para trabajar con materiales que se rayen con facilidad.

1. Enganche la zapata de deslizamiento delante en la placa base.
2. Presione por detrás la zapata de deslizamiento contra la placa base hasta que encaje.

7 Procedimiento de trabajo



ADVERTENCIA

Peligro por cables dañados. Si durante el trabajo se daña el cable de red o el alargador, desenchufe inmediatamente la herramienta y el cable de la red. Evite tocar el punto donde se haya producido el daño.

- ▶ Compruebe regularmente todos los cables de conexión. Sustituya los alargadores defectuosos. Encargue a un profesional experto en la materia la sustitución de los cables de red dañados.

Se recomienda el uso de un interruptor de corriente de defecto (RCD) con una corriente de desconexión máxima de 30 mA.

7.1 Conexión del sistema de aspiración de polvo



La aspiración de polvo disminuye la carga de polvo, aumenta la seguridad al mejorar la visibilidad del corte y evita las molestias por la acumulación de polvo y virutas en el lugar de trabajo.

1. Coloque la tapa cobertora. → página 32



2. Conecte el dispositivo de aspiración cuando vaya a trabajar durante mucho tiempo con madera o materiales y pueda producirse una alta concentración de polvo.

7.2 Conexión **11**

1. Si se dispone del siguiente equipamiento, siga este paso adicional:

WSJ 750-ET
WSJ 850-ET

- ▶ Pulse el interruptor de conexión y desconexión.
- ▶ A continuación pulse el botón de bloqueo.
 - ▶ El interruptor de conexión y desconexión se fija en la posición <conectado>.
- ▶ Para desbloquear el bloqueo, vuelva a pulsar el interruptor de conexión y desconexión.

2. Si se dispone del siguiente equipamiento, siga este paso adicional:

WSJ 750-EB
WSJ 850-EB

- ▶ Conecte el producto con el interruptor deslizante.

7.3 Serrado de inmersión **12**

1. Sitúe la palanca de ajuste de la carrera pendular en la posición 0.
2. Coloque el producto con el borde delantero de la placa base sobre la pieza de trabajo.
3. Sujete el producto y pulse el botón de conexión y desconexión.
4. Presione el producto firmemente contra la pieza de trabajo e introduzca la hoja reduciendo el ángulo de incidencia.
5. Una vez haya atravesado la pieza de trabajo, coloque el producto en la posición normal de trabajo.
 - ▶ La placa base está apoyada con toda la superficie.
6. Continúe serrando a lo largo de la línea de corte.

8 Desmontaje

PRECAUCIÓN

Riesgo de lesiones. Arranque involuntario del producto.

- ▶ Extraiga el enchufe de red antes de realizar ajustes en la herramienta o de cambiar accesorios.

Respete las indicaciones de seguridad y las advertencias presentes en esta documentación y en el producto.

8.1 Extracción de la tapa cobertora **13**

- ▶ Ladee un poco la tapa protectora y extráigala hacia delante.

8.2 Restablecimiento del ángulo de corte

1. Afloje el tornillo.
2. Coloque el ángulo de corte de nuevo en la posición de 0°.
3. Coloque la placa base a su posición inicial ejerciendo presión.
4. Apriete el tornillo.

8.3 Desmontaje del sistema de aspiración de polvo **14**

1. Extraiga la manguera del aspirador del adaptador de aspiración.
2. Presione el adaptador de aspiración hacia abajo y extráigalo del producto.

8.4 Expulsión de la hoja de sierra **15**

ADVERTENCIA

Riesgo de lesiones. Una expulsión incontrolada de la hoja de sierra puede provocar lesiones.

- ▶ Al extraer la hoja de sierra, sujete el producto de tal manera que ninguna persona o animal puedan resultar dañados por la extracción de la hoja.



- ▶ Empuje la palanca para el desbloqueo de la hoja de sierra hasta el tope para apartarla.
 - ▶ La hoja de sierra se suelta y expulsa.

9 Cuidado y mantenimiento

ADVERTENCIA

Peligro de descarga eléctrica. La realización de tareas de cuidado y mantenimiento con el enchufe conectado a la toma de corriente de puede provocar lesiones y quemaduras graves.

- ▶ Extraiga siempre el enchufe de la toma de corriente antes de realizar cualquier tarea de cuidado y mantenimiento.

Cuidado

- Retire con cuidado la suciedad fuertemente adherida.
- Limpie cuidadosamente las rejillas de ventilación con un cepillo seco.
- Limpie la carcasa utilizando únicamente un paño ligeramente humedecido. No utilice limpiadores que contengan silicona, ya que podría afectar a las piezas de plástico.

Mantenimiento

ADVERTENCIA

Riesgo de descarga eléctrica. Las reparaciones indebidas en componentes eléctricos pueden producir lesiones graves y quemaduras.

- ▶ Las reparaciones de la parte eléctrica sólo puede llevarlas a cabo un técnico electricista cualificado.
- Compruebe con regularidad si las piezas visibles están dañadas o si los elementos de manejo funcionan correctamente.
- No utilice el producto si presenta daños o fallos que afecten al funcionamiento. Llévela de inmediato al Servicio Técnico de **Hilti** para que la reparen.
- Coloque todos los dispositivos de protección después de las tareas de cuidado y mantenimiento y compruebe su correcto funcionamiento.



Para garantizar un correcto funcionamiento, utilice exclusivamente piezas de repuesto y material de consumo originales. Puede encontrar piezas de repuesto, consumibles y accesorios para su producto que nosotros mismos comercializamos en **Hilti Store** o en: www.hilti.group.

9.1 Vaciado del contenedor del polvo

ADVERTENCIA

Riesgo por polvo Si se sacude el módulo de aspiración de polvo, se libera polvo.

- ▶ Utilice una mascarilla protectora ligera.
1. Pulse al mismo tiempo los dos botones situados a izquierda y derecha del depósito del polvo.
 2. Extraiga el depósito del polvo tirando hacia abajo.
 3. Sacuda el contenedor para eliminar el polvo o limpie el contenedor con un aspirador.

9.2 Limpieza del adaptador de aspiración

1. Limpie el adaptador de aspiración.
2. Compruebe si las piezas móviles funcionan correctamente y sin atascarse, y si existen piezas rotas o deterioradas que pudieran afectar al funcionamiento del producto.

9.3 Limpieza de las hojas de sierra

1. Desresinifique regularmente las hojas de sierra utilizadas.
2. Aplique petróleo o un producto desresinificador comercial a las hojas de sierra durante 24 horas.

10 Transporte y almacenamiento

Transporte

- ▶ No transporte este producto con el útil insertado.
- ▶ Asegúrese de que durante el transporte esté bien sujeto.



- Compruebe tras cada transporte si las piezas visibles están dañadas o si los elementos de manejo funcionan correctamente.

Almacenamiento

- Almacene este producto siempre con los enchufes desconectados.
- Guarde este producto en un lugar seco y fuera del alcance de niños y personas no autorizadas.
- Cuando lleve mucho tiempo almacenado, compruebe si las piezas visibles están dañadas y si los elementos de manejo funcionan correctamente.

11 Localización de averías

Si se producen averías que no estén incluidas en esta tabla o que no pueda solucionar usted, diríjase al Servicio Técnico de **Hilti**.

Anomalía	Posible causa	Solución
La hoja de sierra se sale.	La hoja de sierra no está correctamente enclavada.	► Repita el proceso de tensado asegurándose de que el portaútiles esté completamente abierto y que la hoja de sierra se haya introducido a contra-presión.
	El sistema de sujeción está sucio.	► Limpie el portaútiles.
La hoja de sierra no se puede insertar.	El sistema de sujeción está sucio.	► Limpie el portaútiles.
No se puede encender el producto.	Enchufe de red no conectado.	► Compruebe la conexión.
	Interruptor defectuoso o sucio.	► Limpie el interruptor por fuera con un paño.
<small>WSJ 750-ET WSJ 850-ET</small> El interruptor no se puede bloquear.	Interruptor defectuoso o sucio.	► Limpie el interruptor por fuera con un paño.
La carrera pendular no se puede regular.	Ranura sucia.	► Limpie la suciedad de la ranura de la palanca de ajuste del movimiento pendular.
La carrera pendular no funciona.	Horquilla de movimiento pendular sucia.	► Compruebe si hay suciedad en la zona de la horquilla de movimiento pendular y elimínela.
	Palanca de ajuste de la carrera pendular en posición «0».	► Ajuste el valor deseado.
La velocidad no puede ajustarse.	Rueda reguladora defectuosa o sucia.	► Limpie la rueda reguladora por fuera.
Velocidad demasiado alta o demasiado baja.	Valor incorrecto ajustado.	► Compruebe el valor ajustado (escala en la rueda reguladora) y cambie el ajuste como corresponda.
No funciona la aspiración con el sistema de aspiración o el WSJ-DRS.	Caperuza de aspiración no encajada.	► Asegúrese de que el aspirador de polvo funciona y que el adaptador de aspiración y la caperuza de aspiración están acoplados.
	Canales del producto y/o adaptador de aspiración sucios.	► Limpie la conexión y compruebe si el accesorio es adecuado.
La placa base no se puede girar.	Tornillo de fijación no aflojado.	► Compruebe el tornillo y, dado el caso, aflójele.
	Conexión al producto sucia.	► Limpie la zona entre la placa base y el producto.



Anomalía	Posible causa	Solución
WSJ 850-EB WSJ 850-ET No se puede montar el accesorio.	Conexión a la placa base sucia.	► Limpie la conexión.
	Accesorio incorrecto.	► Compruebe si el accesorio es adecuado.
El módulo de aspiración DRS no funciona.	Conexión al producto incorrecta.	► Compruebe la conexión al producto.
	Contenedor de polvo lleno.	► Vacíe el contenedor de polvo.
	Filtro sucio.	► Limpie el filtro o cambie el contenedor de polvo.
El corte no es recto.	Hoja de sierra no adecuada para la aplicación.	► Utilice una hoja de sierra nueva que sea apropiada.
	Hoja de sierra desafilada o deteriorada.	► Utilice una hoja de sierra nueva.
El material cortado se calienta demasiado.	Fuerza de corte y velocidad excesivas.	► Reduzca la velocidad y la presión de apriete.
El material cortado se calienta demasiado (metal).	Falta lubricación al cortar en metal.	► Utilice una hoja de sierra nueva y procure una lubricación suficiente entre la hoja de sierra y la pieza de trabajo.

12 Reciclaje

ADVERTENCIA

Riesgo de lesiones. Peligro por un reciclaje indebido.

- Una eliminación no reglamentaria del equipamiento puede tener las siguientes consecuencias: si se queman las piezas de plástico se generan gases tóxicos que pueden afectar a las personas. Si las baterías están dañadas o se calientan en exceso pueden explotar y ocasionar intoxicaciones, incendios, causticaciones o contaminación del medio ambiente. Si se realiza una eliminación imprudente, el equipo puede caer en manos de personas no autorizadas que hagan un uso inapropiado del mismo. Esto generaría el riesgo de provocar lesiones al usuario o a terceros, así como la contaminación del medio ambiente.
- Deseche inmediatamente las baterías defectuosas. Manténgalas fuera del alcance de los niños. No desmonte ni queme las baterías.
- Deseche las baterías respetando las disposiciones de su país o devuelva las baterías usadas a **Hilti**.

Las herramientas **Hilti** están fabricadas en su mayor parte con materiales reutilizables. La condición para dicha reutilización es una separación adecuada de los materiales. En muchos países, **Hilti** recoge las herramientas usadas para su recuperación. Pregunte en el Servicio de Atención al Cliente de **Hilti** o a su asesor de ventas.

13 Indicación FCC (válida en EE. UU.) / indicación IC (válida en Canada)

Esta herramienta esta sujeta al artículo 15 de las disposiciones FCC y al RSS-210 de la indicación IC. La puesta en servicio esta sujeta a las dos condiciones siguientes:

1. Esta herramienta no debe generar ninguna radiación nociva para la salud.
2. La herramienta debe absorber cualquier tipo de radiación, incluso las provocadas por operaciones no deseadas.

14 Información adicional

Al final de esta documentación encontrará, en forma de código QR, más información sobre el producto.

15 Garantía del fabricante

- Si tiene alguna consulta acerca de las condiciones de la garantía, póngase en contacto con su sucursal local de **Hilti**.





This Product is Certified
Ce produit est homologué
Producto homologado por
Este produto está registrado





Hilti Corporation
LI-9494 Schaan
Tel.:+423 234 21 11
Fax:+423 234 29 65
www.hilti.com



377835