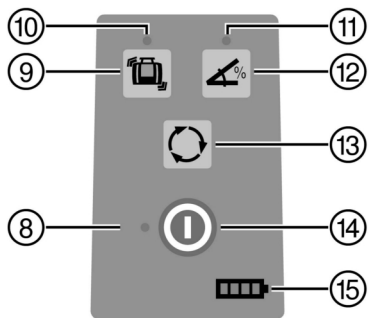




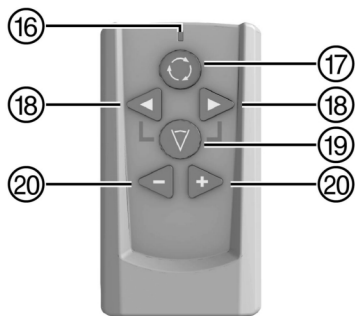
PR 3-HVSG A12

English	1
Русский	12
Türkçe	25
عربي	37
Українська	49
Қазақ	61
日本語	74
한국어	85
中文	96
繁體中文	106

1



2



3

1



2



3



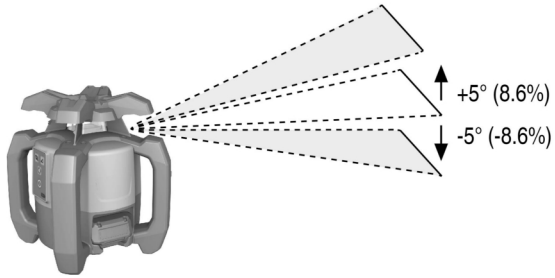
4



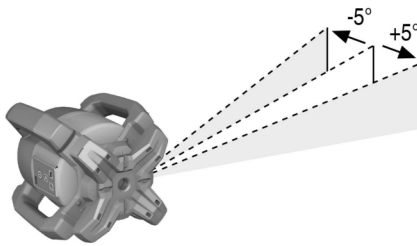
5



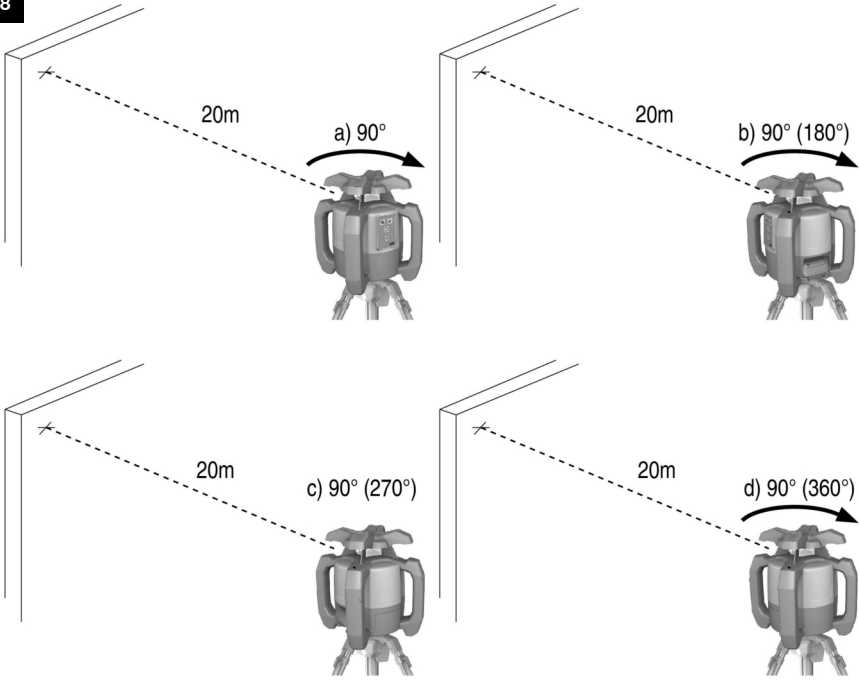
6



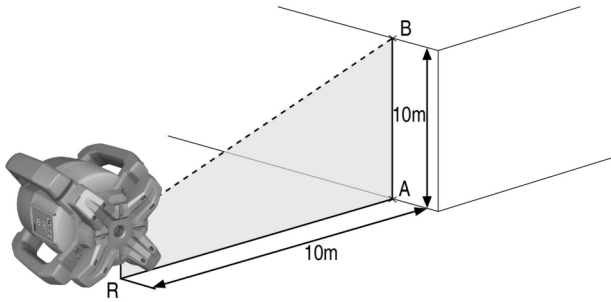
7



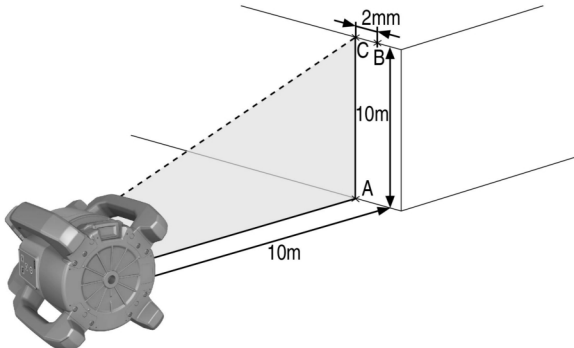
8



9



10



PR 3-HVSG A12

en	Original operating instructions	1
ru	Оригинальное руководство по эксплуатации	12
tr	Orijinal kullanım kılavuzu	25
ar	دليل الاستعمال الأصلي	37
uk	Оригінальна інструкція з експлуатації	49
kk	Түпнұсқа пайдалану бойынша нұсқаулық	61
ja	オリジナル取扱説明書	74
ko	오리지널 사용 설명서	85
cn	原版操作说明	96
zh	原始操作說明	106

Original operating instructions

1 Information about the operating instructions

1.1 About these operating instructions

- **Warning!** Read and understand all accompanying documentation, including but not limited to instructions, safety warnings, illustrations, and specifications provided with this product. Familiarize yourself with all the instructions, safety warnings, illustrations, specifications, components, and functions of the product before use. Failure to do so may result in electric shock, fire, and/or serious injury. Save all warnings and instructions for future reference.
- products are designed for professional users and only trained, authorized personnel are permitted to operate, service and maintain the products. This personnel must be specifically informed about the possible hazards. The product and its ancillary equipment can present hazards if used incorrectly by untrained personnel or if used not in accordance with the intended use.
- The accompanying documentation corresponds to the current state of the art at the time of printing. Please always check for the latest version on the product's page on Hilti's website. To do this, follow the link or scan the QR code in this documentation, marked with the symbol .
- Ensure that these operating instructions are with the product when it is given to other persons.

1.2 Explanation of symbols used

1.2.1 Warnings

Warnings alert persons to hazards that occur when handling or using the product. The following signal words are used:

DANGER

DANGER !

- ▶ Draws attention to imminent danger that will lead to serious personal injury or fatality.

WARNING

WARNING !

- ▶ Draws attention to a potential threat of danger that can lead to serious injury or fatality.

CAUTION

CAUTION !

- ▶ Draws attention to a potentially dangerous situation that could lead to personal injury or damage to the equipment or other property.

1.2.2 Symbols in the documentation

The following symbols are used in this document:

	Read the operating instructions before use.
	Instructions for use and other useful information
	Dealing with recyclable materials
	Do not dispose of electric equipment and batteries as household waste

1.2.3 Symbols in the illustrations

The following symbols are used in illustrations:

	These numbers refer to the corresponding illustrations found at the beginning of these operating instructions
	The numbering reflects the sequence of operations shown in the illustrations and may deviate from the steps described in the text



11	Item reference numbers are used in the overview illustrations and refer to the numbers used in the product overview section
	This symbol is intended to draw special attention to certain points when handling the product.

1.3 Product-dependent symbols

1.3.1 Symbols on the product

The following symbols can be used on the product:

	The product supports wireless data transmission compatible with iOS and Android platforms.
	Hilti Li-ion battery type series used. Observe the information given in the section headed Intended use .
Li-ion	Li-ion battery
	Never use the battery as a striking tool.
	Do not drop the battery. Never use a battery that has suffered an impact or is damaged in any other way.

1.4 Product information

HILTI products are designed for professional users and only trained, authorized personnel are permitted to operate, service and maintain the products. This personnel must be specifically informed about the possible hazards. The product and its ancillary equipment can present hazards if used incorrectly by untrained personnel or if used not in accordance with the intended use.

The type designation and serial number are printed on the rating plate.

- ▶ Write down the serial number in the table below. You will be required to state the product details when contacting Hilti Service or your local Hilti organization to inquire about the product.

Product information

Rotating laser	PR 3-HVSG A12
Generation	02
Serial no.	

1.5 Declaration of conformity

We declare, on our sole responsibility, that the product described here complies with the applicable directives and standards. A copy of the declaration of conformity can be found at the end of this documentation.

The technical documentation is filed and stored here:

Hilti Entwicklungsgesellschaft mbH | Tool Certification | Hiltistraße 6 | 86916 Kaufering, DE

2 Safety

2.1 Safety instructions

2.1.1 Basic information concerning safety

Read all safety instructions and other instructions. Failure to observe the safety instructions and other instructions may result in electric shock, fire and/or serious injury.

Retain all safety precautions and instructions for future reference. The term “electric tool” used in the safety instructions refers to your mains-operated (corded) electric tool or battery-operated (cordless) electric tool.

2.1.2 General safety instructions

- ▶ **Stay alert, watch what you are doing and use common sense when operating an electric tool. Do not use an electric tool while you are tired or under the influence of drugs, alcohol or medication.** A moment of inattention while operating the electric tool may result in serious personal injury.
- ▶ **Do not render safety devices ineffective and do not remove information and warning notices.**



- ▶ **Keep laser tools out of reach of children.**
- ▶ Laser radiation in excess of Class 2 may be emitted if the tool is opened without following the correct procedures. **Have the tool repaired only by Hilti Service.**
- ▶ Laser beams should be projected well above or well below eye height.
- ▶ **Take the influences of the surrounding area into account. Do not use the tool where there is a risk of fire or explosion.**
- ▶ Statement in accordance with FCC §15.21: Changes or modifications not expressly approved by Hilti may restrict the user's authorization to operate the equipment.
- ▶ **You must check the accuracy of the tool after it has been dropped or subjected to other mechanical stresses.**
- ▶ **When the tool is brought into a warm environment from very cold conditions, or vice-versa, allow it to become acclimatized before use.**
- ▶ **Make sure that the tool is mounted securely when adapters or accessories are used.**
- ▶ **Keep the laser exit aperture clean to avoid measurement errors.**
- ▶ **Although the device is designed for the tough conditions of jobsite use, as with other optical and electronic instruments (e.g. binoculars, spectacles, cameras) it should be treated with care.**
- ▶ **Although the device is protected to prevent entry of dampness, it should be wiped dry each time before being put away in its transport container.**
- ▶ **Check the tool before using it for important measuring work.**
- ▶ **Check the accuracy of the measurements several times during use of the tool.**
- ▶ **Ensure that the workplace is well lit.**
- ▶ Avoid touching the contacts.
- ▶ **Maintain the tool carefully. Check for misalignment or binding of moving parts, breakage of parts and any other condition that may affect the tool's operation. Have damaged parts repaired before using the tool.** Many accidents are caused by poorly maintained tools.

2.1.3 Proper preparation of the working area

- ▶ **Secure the area in which you will be taking measurements. Make sure that the laser beam is not directed toward other persons or toward yourself while setting up the PR 3-HVSG A12.**
- ▶ **Avoid unfavorable body positions when working from ladders. Make sure you work from a safe stance and stay in balance at all times.**
- ▶ Readings taken in the vicinity of reflective objects or surfaces, through panes of glass or similar materials may produce incorrect results.
- ▶ **Ensure that the tool is set up on a stable, level surface (not subject to vibration).**
- ▶ **Use the tool only within its specified limits.**
- ▶ **Use the tool and its accessories etc. in accordance with these instructions and in the manner intended for the particular type of tool. Take the working conditions and the task to be performed into account.** Use of tools for applications different from those intended could result in a hazardous situation.
- ▶ **Use of the telescopic staff in the vicinity of overhead high voltage cables is not permissible.**
- ▶ Make sure that no other PR 3-HVSG A12 is in use in the vicinity. **The IR controller can influence the tool you are using.** Check the equipment from time to time.

2.1.4 Electromagnetic compatibility

Although the tool complies with the strict requirements of the applicable directives, **Hilti** cannot exclude the following possibilities:

- The tool may be negatively affected by powerful electromagnetic radiation, possibly leading to incorrect operation.
In these cases, or if you are otherwise unsure, confirmatory measurements should be made by other means.
- The tool can cause interference to other devices (e.g. aircraft navigation equipment).

Only for Korea:

This device is suitable for the electromagnetic radiation encountered in residential environments (Class B). It is intended mainly for use in residential environments but may also be used in other environments.

2.1.5 Laser classification for Class 2 laser products

The tool complies with laser Class 2 as per IEC60825-1:2007 / EN60825-1:2007. These devices can be used without further protective measures.



 **CAUTION**

Risk of injury! Do not direct the laser beam toward persons.

- ▶ Never look directly into the source of the laser beam. In the event of direct eye contact, close your eyes and move your head out of the path of the laser beam.
-

2.1.6 Careful use of battery-powered tools

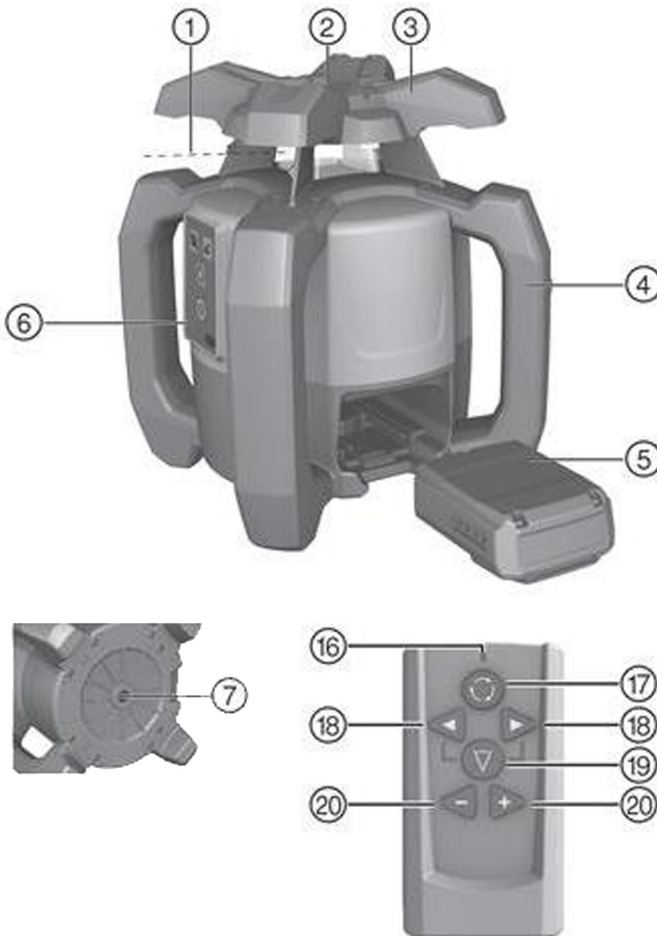
- ▶ **Do not expose batteries to high temperatures, the direct heat of the sun, and keep them away from fire.** There is a risk of explosion.
- ▶ **Do not disassemble, squash or incinerate batteries and do not subject them to temperatures over 80°C (176°F).** This presents a risk of fire, explosion or injury through contact with caustic substances.
- ▶ **Do not subject the battery to hard mechanical impacts and do not throw the battery.**
- ▶ **Batteries must be kept out of reach of children.**
- ▶ **Avoid ingress of moisture.** Ingress of moisture may cause a short circuit, resulting in burning injuries or fire.
- ▶ **Under abusive conditions, liquid may leak from the battery. Avoid contact with the liquid. If contact accidentally occurs, flush with water. If the liquid contacts the eyes, also seek medical attention.** Liquid leaking from the battery may cause irritation or burns.
- ▶ **Use only batteries of the type approved for use with the applicable tool.** Use of other batteries or use of the batteries for purposes for which they are not intended presents a risk of fire and explosion.
- ▶ Store the battery in a cool and dry place. Never store the battery where it is exposed to direct sunlight or sources of heat, e.g. on heaters / radiators or behind glass.
- ▶ **When not in use, keep the battery and the charger away from paper clips, coins, keys, nails, screws or other small metal objects that could cause a short circuit at the battery terminals or the charging contacts.** Short-circuiting the contacts on a battery or charger may cause burning injuries or start a fire.
- ▶ **Do not charge or continue to use damaged batteries (e.g. batteries with cracks, broken parts, bent or pushed-in and/or pulled-out contacts).**
- ▶ **Recharge only with the charger specified by the manufacturer.** A charger that is suitable for a certain type of battery may present a risk of fire when used with other types of battery.
- ▶ Observe the special guidelines applicable to the transport, storage and use of Li-ion batteries.
- ▶ **The battery must be insulated or removed from the tool before the tool is shipped or sent by mail.** Leaking batteries may damage the tool.
- ▶ If the battery gets noticeably hot when not in use, this may indicate that the battery or the tool / battery system is faulty. **In this case, place the tool in a non-flammable location, well away from flammable materials, where it can be kept under observation and allowed to cool down.**



3 Description

3.1 Overview of the product

3.1.1 PR 3-HVSG rotating laser



Key

- | | |
|----------------------------------|-------------------------------|
| ① Laser beam (plane of rotation) | ④ Li-ion battery |
| ② 90° reference beam | ⑤ Control panel |
| ③ Grip | ⑥ Base plate with 5/8" thread |

3.1.2 PR 3-HVSG A12 control panel

Key

- | | |
|--------------------------------------|-----------------------------|
| ⑧ LED: Auto-leveling | ⑫ Button: Inclination angle |
| ⑨ Button: Shock warning deactivation | ⑬ Button: Speed of rotation |
| ⑩ LED: Shock warning deactivation | ⑭ Button: "On/off" |
| ⑪ LED: Inclination angle | ⑮ Battery status |



2154010

3.1.3 PRA 2 remote control unit

Key

- | | |
|-------------------------------------|-----------------------|
| LED: Command sent | Button: Line function |
| Button: Speed of rotation | Servo buttons (+/-) |
| Button: Line direction (left/right) | |

3.2 Intended use

The product described is a rotating laser tool with a visible green rotating laser beam and a reference beam set at 90° to the main beam. The rotating laser can be used vertically, horizontally and for inclined planes. The tool is designed to be used to determine, transfer and check levels, verticals, slopes and right angles. Examples of its uses are: transferring datum lines and height marks, determining right angles for walls, vertical alignment on reference points and setting out slopes.

- ▶ Use only the **Hilti** B 12/2.6 and respectively the B 12-30 Li ion battery for this product.
- ▶ Use only the **Hilti** C 412-50 charger for this product.

3.3 Features

The tool allows a single person to level or align in any plane quickly and with great accuracy.

4 speeds of rotation are available for use (0, 90, 300, 600 /min). The preset speed of rotation is 300 /min.

The tool is equipped with the following operating status indicators: auto-leveling LED, inclination angle LED and shock warning LED.

When automatic leveling is activated for one or both axes, the built-in servo system ensures that the specified accuracy is maintained. An **automatic cut-out** is activated when the tool is unable to level itself (i.e. when the tool is outside its self-leveling range or movement is blocked mechanically) or the tool is knocked off level (by vibration or an impact). When the tool has switched itself off, rotation stops and all LEDs blink.

Depending on the working distance and ambient light, **visibility of the laser beam** may be impaired. Visibility of the laser beam can be improved through use of the target plate. In situations where laser beam visibility is reduced, e.g. in bright sunlight, use of the laser receiver (accessory) is recommended.

Leveling

After switching on, the tool **levels itself automatically** within a range of $\pm 5^\circ$ by way of two built-in servo motors. LEDs indicate the tool's current operating status. The tool can be set up directly on the ground or floor, on a tripod, or with the aid of suitable mounting brackets.

Vertical alignment is carried out automatically. The +/- buttons on the **PRA 2** remote control unit can be used to bring the vertical plane manually into alignment (pivot).

In inclined plane mode the **inclination** can be set manually within a range of $\pm 5^\circ$ with the aid of the **PRA 2** remote control unit. Alternatively, in inclined plane mode, the slope adapter can be used to achieve slopes of up to 60%.

Thanks to its built-in **shock warning function** the tool switches to warning mode if knocked off level, e.g. due to vibration or impact while in operation (warning mode becomes functional two minutes after completion of self-leveling). All LEDs blink, the laser beam stops rotating and the laser is switched off.

Combination with other devices

The **PRA 2** remote control unit can be used to control the rotating laser conveniently from a distance. The remote control function can also be used to adjust alignment of the laser beam.

Hilti laser receivers can be used to detect and indicate the laser beam at great distances. For further information, please refer to the operating instructions for the laser receiver.

3.4 LED indicators

The rotating laser is equipped with an LED display.

Status	Meaning
All LEDs blink	The tool has been bumped, knocked off level or is subject to some other error.
The auto-leveling LED blinks green	The tool is in the leveling phase.
The auto-leveling LED lights green constantly	The tool has leveled itself / is operating normally.
The shock warning LED lights orange constantly	Shock warning mode is deactivated.
The inclination LED lights orange constantly	Inclined plane mode is active.



3.5 Li-ion battery charge state display

The Li-ion battery features a state of charge display.

Status	Meaning
4 LEDs light.	Charge status: 75 % to 100 %
3 LEDs light.	Charge status: 50 % to 75 %
2 LEDs light.	Charge status: 25 % to 50 %
1 LED lights.	Charge status: 10 % to 25 %
1 LED blinks.	Charge status: < 10 %

- When the tool is in operation, the battery charge status is indicated in the display on the tool. When not in operation, battery charge state can be indicated by lightly pressing the release button. During charging, charge state is indicated by the LEDs on the battery (please refer to the operating instructions for the charger).

3.6 Items supplied

PR 3-HVSG A12 rotating laser, PRA 2 remote control, PRA 54 target plate, 2 batteries (size AA), 2 manufacturer's certificates, operating instructions.

- Other system products approved for use with this product can be found at your local **Hilti Store** or at: www.hilti.group

4 Technical data

Rated voltage	10.8 V
Rated current	160 mA
Maximum site elevation above datum	2,000 m (6,561 ft - 8 in)
Maximum relative humidity	90 %
Receiving range (diameter)	150 m
Communication range (PRA 2)	30 m
Accuracy at 10 m (under standard ambient conditions in accordance with MIL-STD-810G)	±1 mm
Laser class	Visible, laser class 2, 510-530 nm/ $P_{O} < 4.85 \text{ mW} \geq 300 \text{ /min}$; EN 60825-1:2007; IEC 60825-1:2007
Operating temperature	-10 °C ... 50 °C
Storage temperature	-25 °C ... 63 °C
Weight including B22/2.6 and respectively B 12-30 battery	2.4 kg
Drop test height (under standard ambient conditions in accordance with MIL-STD-810G)	1.5 m
Tripod thread	5/8 in
Protection class in accordance with IEC 60529	IP 56

5 Before use

5.1 Handling the laser and battery correctly

- ▶ Fig. 1: Working in horizontal mode.
- ▶ Fig. 2: In inclined plane mode, the laser should be lifted at the control panel side.



- ▶ Fig. 3: Laying down or transporting in an inclined position.
 - ▶ Hold the laser so that the battery compartment does NOT face upwards, so that no moisture can enter.



The B12 battery has no protection class. Do not expose the battery to rain or wet conditions. In accordance with the Hilti instructions, the battery may be used only with the associated product and must be inserted in the battery compartment for this purpose.

5.2 Inserting the battery



CAUTION

Risk of injury Inadvertent starting of the product.

- ▶ Check that the product is switched off before fitting the battery.



CAUTION

Electrical hazard. Dirty contacts may cause a short circuit.

- ▶ Check that the contacts on the battery and on the tool are free from foreign objects before inserting the battery.



CAUTION

Risk of injury. If the battery is not fitted correctly it may drop out and fall.

- ▶ Check that the battery is securely seated in the tool so that it cannot drop out and fall, thereby presenting a hazard to other persons.
- ▶ Fit the battery and check that the battery is securely seated in the tool.

5.3 Removing the battery

- ▶ Remove the battery.

6 Operation

6.1 Switching the tool on

- ▶ Press the ON / OFF button.



After switching on, the tool begins to level itself automatically.

Check the accuracy of the tool before using it for important tasks, especially if it has been dropped or subjected to unusual influences or impacts etc.

6.2 Working in the horizontal plane

1. Mount the tool on a suitable mounting device.



A wall bracket or tripod may be used as mounting devices. The angle of inclination of the surface on which it stands should not exceed $\pm 5^\circ$.

2. Press the ON / OFF button. The auto-leveling LED blinks green.



The laser switches on, the beam begins to rotate and the "auto leveling" LED lights as soon as the tool has leveled itself.

6.3 Working in the vertical plane

1. Place or mount the tool so that the control panel faces upwards.



In order to ensure that the tool's specified accuracy can be maintained, make sure that it is set up on a level surface or mounted sufficiently level on the tripod or other accessory.

2. Use the visual sighting aids to adjust the tool so that its vertical axis is aligned in the required direction.



The laser switches on, the beam begins to rotate and the "auto leveling" LED lights as soon as the tool has leveled itself.




3. Press the on/off button. After the tool has leveled itself automatically, it projects a stationary laser beam vertically downwards. This projected point is the reference point and is used to position the tool.
4. Press the rotation speed button in order to see the laser beam in the entire plane of rotation.
5. The vertically rotating beam can be moved to the left or right by up to 5° by pressing the + and – buttons on the remote control unit.

6.4 Inclination

For optimum results, check that the PR 3-HVSG A12 is correctly aligned. The best way to do this is by selecting 2 points, each at a distance of 5 m (16 ft), one to the left and one to the right of the tool, but parallel to the tool axis. Mark the height of the horizontal plane and then, after setting the slope, mark the heights. The tool is aligned optimally only when these heights are identical at both points.

6.4.1 Setting the slope manually


1. Set up the tool in a suitable position for the application, e.g. on a tripod.
2. Position the rotating laser either at the upper edge or lower edge of the inclined plane.
3. Position yourself behind the tool, facing the control panel.
4. With the aid of the target notch on the head of the tool, bring the tool roughly into alignment with the inclined plane (parallel to the plane).
5. Switch the tool on and then press the inclined plane mode button. The inclined plane mode LED then lights. The laser beam switches on as soon as the tool has leveled itself.
6. To incline the plane of rotation, press the + or – button on the remote control unit. Alternatively, the slope adapter (accessory) can also be used.

 When the angle of inclination is set manually, the rotating laser levels the laser plane once and then fixes it once. Note that this rotating laser does not correct the sloped laser plane for possible deviation occurring due to a change in ambient conditions and/or shift of the mounting. Vibration, changes in temperature or other influences that may occur during the course of the day may affect the position of the laser plane.


7. To return to standard operating mode, the tool must be switched off and then restarted.

6.4.2 Using the slope adapter to set the slope

1. Mount a suitable slope adapter on a tripod.
2. Position the tripod either at the upper edge or lower edge of the inclined plane.
3. Mount the rotating laser on the slope adapter and use the target notch on the head of the PR 3-HVSG A12 to set the tool complete with the slope adapter parallel to the inclined plane.
4. Make sure that the slope adapter is in the zero position (0°).

 The control panel of the PR 3-HVSG A12 has to face away from the direction of inclination.

5. Switch the tool on.
6. Press the inclined plane mode button. The inclined plane mode LED then lights on the control panel of the rotating laser. The tool then begins automatic self-leveling. The laser switches on and begins to rotate as soon as this is complete.
7. Set the slope adapter to the desired angle of inclination.

 When the angle of inclination is set manually, the rotating laser levels the laser plane once and then fixes it once. Note that this rotating laser does not correct the sloped laser plane for possible deviation occurring due to a change in ambient conditions and/or shift of the mounting. Vibration, changes in temperature or other influences that may occur during the course of the day may affect the position of the laser plane.

6.5 Working with the PRA 2 remote control unit

The PRA 2 remote control unit makes working with the rotating laser more convenient and is required in order to make use of certain functions.

Selecting the speed of rotation

After switching on, the rotating laser always begins to operate at a speed of 300 revolutions per minute. A slow speed of rotation can make the laser beam appear much brighter. A high speed of rotation makes the



laser beam appear more stable. The speed of rotation can be adjusted by pressing the rotation speed button several times.

Selecting the line function

The area covered by the laser beam can be reduced to a line by pressing the line function button on the remote control unit. The laser beam then appears considerably brighter. The length of the line can be adjusted by pressing the line function button several times. The length of the line depends on the distance of the laser tool from the wall or surface. The laser line can be shifted as desired by pressing the direction buttons (right/left).

6.6 Deactivating the shock warning function

1. Switch the tool on.
2. Press the "Deactivate shock warning" button. The shock warning deactivation LED lights constantly, indicating that the function has been deactivated.
3. To return to standard operating mode, switch the tool off and then switch it back on again.

6.7 Checking the main and transverse horizontal axes

1. Set up the tripod approx. 20 m (66 ft) from a wall and adjust the tripod head horizontally with a spirit level.
2. Mount the tool on the tripod and use the visual sighting method (front and rear sights) to aim the tool at the wall.
3. Use the receiver to catch the laser beam and mark a point (point 1) on the wall.
4. Pivot the tool clockwise through 90° about its own axis. In doing so, ensure that the height of the tool does not change.
5. Use the laser receiver to catch the laser beam and mark a second point (point 2) on the wall.
6. Repeat the two previous steps twice and use the laser receiver to catch the beam and mark points 3 and 4 on the wall.



If the procedure has been carried out accurately, the vertical distance between the two marked points 1 and 3 (main axis) or, points 2 and 4 (transverse axis), should each be less than 3 mm (at 20 m) (0.12" at 66 ft). If the deviation is greater than this, the tool should be returned to **Hilti Service** for calibration.

6.8 Checking the vertical axis

1. Place the tool in the vertical position on the floor or ground, which should be as flat as possible, approx. 20 m (66 ft) from a wall.
2. Adjust the position of the tool so that the grips are parallel to the wall.
3. Switch the tool on and mark the reference point (R) on the ground or floor.
4. With the aid of the receiver, mark point (A) low on the wall. Select medium speed.
5. With the aid of the receiver, mark point (B) at a height of approx. 10 m (33 ft).
6. Pivot the tool through 180° and realign it with the reference point (R) on the ground or floor and with point (A) at the base of the wall.
7. With the aid of the receiver, mark point (C) at a height of approx. 10 m (33 ft).



If the procedure has been carried out accurately, the horizontal distance between the two points (B) and (C) marked at a height of ten meters should be less than 2 mm (at 10 m) (0.08" at 33 ft). If the deviation is greater: Please return the tool to **Hilti Service** for calibration.

7 Care, maintenance, transport and storage

7.1 Cleaning and drying

- ▶ Blow any dust off the laser exit window.
- ▶ Do not touch the laser exit window with your fingers.
- ▶ Use only a soft, clean cloth to clean the tool. If necessary, moisten the cloth slightly with pure alcohol or a little water.



Abrasive cleaning materials may scratch the glass and impair the accuracy of the laser tool. Do not use any liquids other than pure alcohol or water as these may damage the plastic components. Observe the temperature limits when drying the equipment.



7.2 Storage

- ▶ Do not put the tool into storage when wet. Allow it to dry before putting it away.
- ▶ Always clean the tool, its transport container and accessories before putting them into storage.
- ▶ Check the accuracy of the equipment before it is used after a long period of storage or transportation.
- ▶ Observe the temperature limits when storing your equipment. This is particularly important in summer or winter if the equipment is kept inside a motor vehicle.

7.3 Care of the Li-ion battery

- ▶ **Keep the battery clean and free from oil and grease. Do not use cleaning agents containing silicone.**
- ▶ Clean the outer surfaces with a slightly damp cloth at regular intervals.
- ▶ Do not allow moisture to enter the interior.
- ▶ Charge the batteries using the **Hilti** chargers approved for use with Li-ion batteries.

7.4 Transport

Observe the special guidelines applicable to the transport, storage and use of Li-ion batteries.

The batteries must be insulated or removed from the tool before the tool is shipped or sent by mail. Leaking batteries may damage the tool.

7.5 Hilti Measuring Systems Service

Hilti Measuring Systems Service checks the product and, if deviations from the specified accuracy are found, recalibrates it and checks it again to ensure conformity with specifications. The service certificate provides written confirmation of conformity with specifications at the time of the test. The following is recommended:

- A suitable test interval should be chosen in accordance with the degree of use.
- Have the product checked by **Hilti** Measuring Systems Service after exceptionally heavy use or subsection to unusual conditions or stress, before important work or at least once a year.

Having the product checked by **Hilti** Measuring Systems Service does not relieve the user of his/her obligation to check the product before and during use.

7.6 Checking accuracy

In order to ensure compliance with the technical specifications, the tool should be checked regularly (at least before each major / relevant measuring task).

After falling from considerable height, the tool should be checked for correct, accurate operation. When the following conditions are fulfilled it can be assumed that the tool is operating faultlessly:

- The height of the fall did not exceed the height given in the technical data.
- The tool operated faultlessly before the impact.
- The tool suffered no obvious mechanical damage from the impact (e.g. breakage of the pentaprism).
- The tool projects a rotating laser beam when in operation.

8 Troubleshooting

If the trouble you are experiencing is not listed in this table or you are unable to remedy the problem by yourself, please contact **Hilti** Service.

Trouble or fault	Possible cause	Action to be taken
The tool doesn't work.	The battery is not fully inserted.	▶ Push the battery in until it engages with an audible double click.
	Battery is discharged.	▶ Change the battery and charge the empty battery.
The battery runs down more quickly than usual.	Very low ambient temperature.	▶ Warm up the battery slowly to room temperature.
The battery doesn't engage with an audible click.	The retaining lugs on the battery are dirty.	▶ Clean the retaining lugs and refit the battery.



Trouble or fault	Possible cause	Action to be taken
The tool or battery gets very hot.	Electrical fault.	<ul style="list-style-type: none"> Switch the tool off immediately, remove the battery, keep it under observation, allow it to cool down and contact Hilti Service.

9 Disposal

WARNING

Risk of injury due to incorrect disposal! Health hazards due to escaping gases or liquids.

- ▶ DO NOT send batteries through the mail!
- ▶ Cover the terminals with a non-conductive material (such as electrical tape) to prevent short circuiting.
- ▶ Dispose of your battery out of the reach of children.
- ▶ Dispose of the battery at your **Hilti Store**, or consult your local governmental garbage disposal or public health and safety resources for disposal instructions.

Most of the materials from which **Hilti** tools and appliances are manufactured can be recycled. The materials must be correctly separated before they can be recycled. In many countries, your old tools, machines or appliances can be returned to **Hilti** for recycling. Ask **Hilti Service** or your Hilti representative for further information.

In accordance with the European Directive on waste electrical and electronic equipment and its implementation in conformance with national law, electric tools or appliances and batteries that have reached the end of their life must be collected separately and returned to an environmentally compatible recycling facility.



- ▶ Do not dispose of electronic measuring tools together with household waste.

To avoid pollution of the environment, tools or appliances and batteries must be disposed of in accordance with the currently applicable national regulations.

10 Manufacturer's warranty

- ▶ Please contact your local **Hilti** representative if you have questions about the warranty conditions.

Оригинальное руководство по эксплуатации

1 Данные руководства по эксплуатации

1.1 К настоящему руководству по эксплуатации



Импортер и уполномоченная изготовителем организация

- (RU) Российская Федерация
АО "Хилти Дистрибьюшн ЛТД", 141402, Московская область, г. Химки, ул. Ленинградская, стр. 25, комната 15.26
- (BY) Республика Беларусь
ИООО "Хилти БиУай", 222750, Минская область, Дзержинский район, Р-1, 18-й км, 2 (около д. Слободка), помещение 1-34
- (KZ) Республика Казахстан
ТОО "Хилти Казахстан", 050057, г. Алматы, Бостандыкский район, ул. Тимирязева, дом 42/15, литер 012 (корпус15)
- (AM) Республика Армения
ООО "ЭЙЧ-КОН", 0070, г. Ереван, ул. Ерванда Кочара 19/28

Страна производства: см. маркировочную табличку на оборудовании.

Дата производства: см. маркировочную табличку на оборудовании.



Соответствующий сертификат можно найти по адресу: www.hilti.ru

Специальных требований к условиям хранения, транспортировки и использования, кроме указанных в руководстве по эксплуатации, нет.

Срок службы изделия составляет 5 лет.

- **Предупреждение!** Перед использованием изделия убедитесь в том, что вы полностью изучили прилагаемое к нему руководство по эксплуатации, включая приводимые там инструкции, указания по технике безопасности и предупреждения, иллюстрации и технические характеристики. В частности, ознакомьтесь со всеми инструкциями, указаниями по технике безопасности и предупреждениями, иллюстрациями, техническими характеристиками, а также компонентами и функциями. Несоблюдение этих требований может привести к поражению электрическим током, возгоранию и/или серьезным травмам. Храните руководство по эксплуатации, включая все инструкции, указания по технике безопасности и предупреждения, для последующего использования.
- Изделия предназначены для профессионального использования, поэтому они должны обслуживаться и ремонтироваться только уполномоченным и обученным персоналом. Этот персонал должен пройти специальный инструктаж по технике безопасности. Использование изделия и его оснастки не по назначению или его эксплуатация необученным персоналом могут представлять опасность.
- Прилагаемое руководство по эксплуатации соответствует уровню технического прогресса на момент сдачи в печать. Актуальная версия всегда доступна в режиме онлайн на веб-сайте Hilti с описанием изделия. Для этого перейдите по ссылке или QR-коду, приводимым в настоящем руководстве по эксплуатации с обозначением символом .
- При смене владельца обязательно передавайте настоящее руководство по эксплуатации вместе с изделием.

1.2 Пояснение к знакам (условным обозначениям)

1.2.1 Предупреждающие указания

Предупреждающие указания служат для предупреждения об опасностях при обращении с машиной. Используются следующие сигнальные слова:

ОПАСНО

ОПАСНО !

- ▶ Общее обозначение непосредственной опасной ситуации, которая влечет за собой тяжелые травмы или смертельный исход.

ПРЕДУПРЕЖДЕНИЕ

ПРЕДУПРЕЖДЕНИЕ !

- ▶ Общее обозначение потенциально опасной ситуации, которая может повлечь за собой тяжелые травмы или смертельный исход.

ОСТОРОЖНО

ОСТОРОЖНО !

- ▶ Общее обозначение потенциально опасной ситуации, которая может повлечь за собой травмы или повреждение оборудования (материальный ущерб).

1.2.2 Символы, используемые в руководстве

В этом руководстве используются следующие символы:

	Перед использованием прочтите руководство по эксплуатации.
	Указания по эксплуатации и другая полезная информация
	Обращение с материалами, пригодными для вторичной переработки
	Не выбрасывайте электроустройства и аккумуляторы вместе с обычным мусором!



1.2.3 Символы на изображениях

На изображениях используются следующие символы:

	Эти цифры указывают на соответствующее изображение в начале данного руководства.
	Нумерация на изображениях отображает порядок выполнения рабочих операций и может отличаться от нумерации, используемой в тексте.
	Номера позиций используются в обзорном изображении. В обзоре изделия они указывают на номера в экспликации.
	Этот знак должен привлечь особое внимание пользователя при обращении с изделием.

1.3 Символы в зависимости от изделия

1.3.1 Символы на изделии

На изделии могут использоваться следующие символы:

	Это изделие поддерживает технологию беспроводной передачи данных на базе ОС iOS и Android.
	Серия используемых литий-ионных аккумуляторов Hilti . Соблюдайте указания, приведенные в главе Использование по назначению .
	Литий-ионный аккумулятор
	Никогда не используйте аккумулятор в качестве ударного инструмента.
	Не допускайте падения аккумулятора. Не используйте аккумулятор, который получил повреждения вследствие удара или каким-либо иным образом.

1.4 Информация об изделии

Изделия предназначены для профессионального использования, поэтому они должны обслуживаться и ремонтироваться только уполномоченным и обученным персоналом. Этот персонал должен пройти специальный инструктаж по технике безопасности. Использование изделия и его оснастки не по назначению или его эксплуатация необученным персоналом могут представлять опасность.

Типовое обозначение и серийный номер указаны на заводской табличке.

- Перепишите серийный номер в нижеприведенную табличную форму. Данные изделия необходимы при обращении в наше представительство или сервисный центр.

Указания к устройству

Ротационный лазерный нивелир	PR 3-HVSG A12
Поколение	02
Серийный номер:	

1.5 Декларация соответствия нормам

Настоящим мы с полной ответственностью заявляем, что данное изделие соответствует действующим директивам и нормам. Копию декларации соответствия нормам см. в конце этого документа.

Техническая документация (оригиналы) хранится здесь:

Hilti Entwicklungsgesellschaft mbH | Zulassung Geräte | Hiltistraße 6 | 86916 Kaufering, Германия

2 Безопасность

2.1 Указания по технике безопасности

2.1.1 Общие указания по безопасности

Прочтите все указания по технике безопасности и инструкции. Невыполнение приведенных ниже указаний по технике безопасности может привести к поражению электрическим током, пожару и/или вызвать тяжелые травмы.



Сохраните все указания по технике безопасности и инструкции для следующего пользователя. Используемый далее термин «нивелир» относится к нивелиру, работающему от электрической сети (с кабелем электропитания) и от аккумулятора (без кабеля электропитания).

2.1.2 Общие меры безопасности

- ▶ Будьте внимательны, следите за своими действиями и серьезно относитесь к работе с электроинструментом. Не пользуйтесь электроинструментом, если вы устали или находитесь под действием наркотиков, алкоголя или медикаментов. Незначительная ошибка при невнимательной работе с электроинструментом может стать причиной серьезного травмирования.
- ▶ Не отключайте предохранительные устройства и не удаляйте предупреждающие надписи и знаки.
- ▶ Храните лазерные нивелиры в недоступном для детей месте.
- ▶ При неквалифицированном вскрытии нивелира может возникнуть лазерное излучение, превышающее класс 2. Ремонт нивелира должен выполняться только в сервисных центрах Hilti.
- ▶ Лазерные лучи должны проходить значительно выше или ниже уровня глаз.
- ▶ Учитывайте влияние окружающей среды. Не используйте нивелир там, где существует опасность пожара или взрыва.
- ▶ Предписание FCC §15.21: Изменения или модификации, которые не разрешены фирмой, могут ограничить права пользователя на эксплуатацию нивелира.
- ▶ В случае падения нивелира или иных механических воздействий необходимо проверить его точность.
- ▶ В случае резкого изменения температуры подождите, пока нивелир не примет температуру внешней среды.
- ▶ При использовании адаптеров и оснастки убедитесь, что нивелир прочно закреплен.
- ▶ Во избежание неточности измерений следует следить за чистотой окон выхода лазерного луча.
- ▶ Хотя нивелир предназначен для использования в сложных условиях на строительных площадках, с ним, как и с другими оптическими и электрическими устройствами (полевыми биноклями, очками, фотоаппаратами), нужно обращаться бережно.
- ▶ Несмотря на то, что нивелир защищен от проникновения влаги, его следует вытереть насухо, перед тем как положить в переносную сумку.
- ▶ Проверяйте нивелир перед важными измерениями.
- ▶ Во время работы многократно проверяйте точность нивелира.
- ▶ Обеспечьте хорошее освещение рабочей зоны.
- ▶ Не касайтесь электрических контактов.
- ▶ Тщательно следите за состоянием нивелира. Проверяйте безупречное функционирование подвижных частей, легкость их хода, целостность всех частей и отсутствие повреждений, которые могли бы отрицательно повлиять на работу нивелира. Выполните ремонт поврежденных деталей нивелира перед его использованием. Причиной многих несчастных случаев является несоблюдение правил технического обслуживания инструментов.

2.1.3 Правильная организация рабочего места

- ▶ Обеспечьте защиту зоны измерения. Убедитесь в том, что при установке PR 3-HVSG A12 луч лазера не направлен на других людей или на вас.
- ▶ Выбирайте удобное положение тела при работе на приставных лестницах и стремянках. Постоянно сохраняйте устойчивое положение и равновесие.
- ▶ Результаты измерений вблизи (свето)отражающих объектов или поверхностей, через стекло или аналогичные материалы могут быть неточными.
- ▶ Обратите внимание: устройство должно устанавливаться на ровной неподвижной поверхности (без вибраций).
- ▶ Используйте устройство только в пределах его технических характеристик.
- ▶ Применяйте устройство, принадлежности к нему и т. д. в соответствии с их техническими данными и согласно указаниям по использованию устройств именно этого типа. Учитывайте при этом рабочие условия и характер выполняемой работы. Использование устройства не по назначению может привести к опасным ситуациям.
- ▶ Проводить работы с геодезическими рейками вблизи проводов высокого напряжения не разрешается!
- ▶ Убедитесь в том, что вблизи не используется другой PR 3-HVSG A12. ИК-пульт управления может повлиять на работу вашего устройства. Периодически проверяйте оборудование.



2.1.4 Электромагнитная совместимость

Несмотря на то что нивелир отвечает жестким требованиям соответствующих правил и стандартов, компания Hilti не может полностью исключить вероятность того, что он

- вследствие сильного излучения не будет работать без сбоев, которые могут привести к ошибкам операций, выполняемых с его помощью.
В этих или иных случаях должны проводиться контрольные измерения.
- Нивелир может создавать помехи работе другой аппаратуры (например, навигационному оборудованию летательных аппаратов).

Только для Кореи:

это устройство предназначено для использования в жилых помещениях в условиях возникающих там электромагнитных волн (класс В). Хотя основным предназначением данного устройства является использование в жилых помещениях, оно также подходит для использования в других зонах.

2.1.5 Лазерные устройства класса 2

В зависимости от комплектации устройство соответствует классу лазера 2 по IEC 60825-1:2007/EN 60825-1:2007. Эксплуатация данных устройств не требует принятия дополнительных мер защиты.

ОСТОРОЖНО

Опасность травмирования! Запрещается направлять лазерный луч на людей.

- ▶ Категорически запрещается смотреть на источник лазерного излучения без специальных средств защиты. При непосредственном воздействии лазерного излучения на органы зрения закройте глаза и отведите голову из зоны излучения.

2.1.6 Аккуратное обращение с аккумуляторными устройствами

- ▶ Храните аккумуляторы на безопасном расстоянии от источников высокой температуры/огня и не подвергайте их прямому воздействию солнечного излучения. Существует опасность взрыва.
- ▶ Запрещается разбирать, сдавливать, нагревать до температуры свыше 80 °C (176 °F) или сжигать аккумуляторы. В противном случае существует опасность возгорания, взрыва и ожога едкой жидкостью, находящейся внутри аккумулятора.
- ▶ Не подвергайте аккумулятор сильным механическим нагрузкам (ударам и пр.), и не выбрасывайте аккумулятор.
- ▶ Берегите аккумуляторы от детей.
- ▶ Не допускайте попадания влаги внутрь устройства. Проникновение влаги внутрь нивелира может привести к короткому замыканию и стать причиной электрических ожогов или возникновения пожара.
- ▶ При неверном обращении с аккумулятором из него может вытечь электролит. Избегайте контакта с ним. При случайном контакте смойте водой. При попадании электролита в глаза немедленно обратитесь за помощью к врачу. Вытекающий из аккумулятора электролит может привести к раздражению кожи или ожогам.
- ▶ Используйте только допущенные к эксплуатации с соответствующим устройством аккумуляторы. При использовании других аккумуляторов или при использовании аккумуляторов в иных целях существует опасность возгорания и взрыва.
- ▶ По возможности храните аккумулятор в сухом и прохладном месте. Никогда не оставляйте аккумулятор на солнце, на нагревательных/отопительных элементах или за стеклом.
- ▶ Храните неиспользуемый аккумулятор или зарядное устройство на безопасном расстоянии от скрепок, монет, ключей, гвоздей, винтов и других мелких металлических предметов, которые могут стать причиной замыкания контактов. Короткое замыкание контактов аккумуляторов или зарядных устройств может привести к возгоранию и взрыву.
- ▶ Поврежденные аккумуляторы (например, аккумуляторы с трещинами, сломанными частями, погнутыми, вдавленными и/или вытянутыми контактами) заряжать и использовать повторно запрещается.
- ▶ Заряжайте аккумуляторы только с помощью зарядных устройств, рекомендованных производителем. При использовании зарядного устройства для зарядки несоответствующих ему типов аккумуляторов возможна опасность возгорания.
- ▶ Соблюдайте специальные предписания по транспортировке, хранению и эксплуатации литий-ионных аккумуляторов.
- ▶ Перед пересылкой устройства следует изолировать аккумуляторы или извлечь их из устройства. Протекающие аккумуляторы могут повредить устройство.

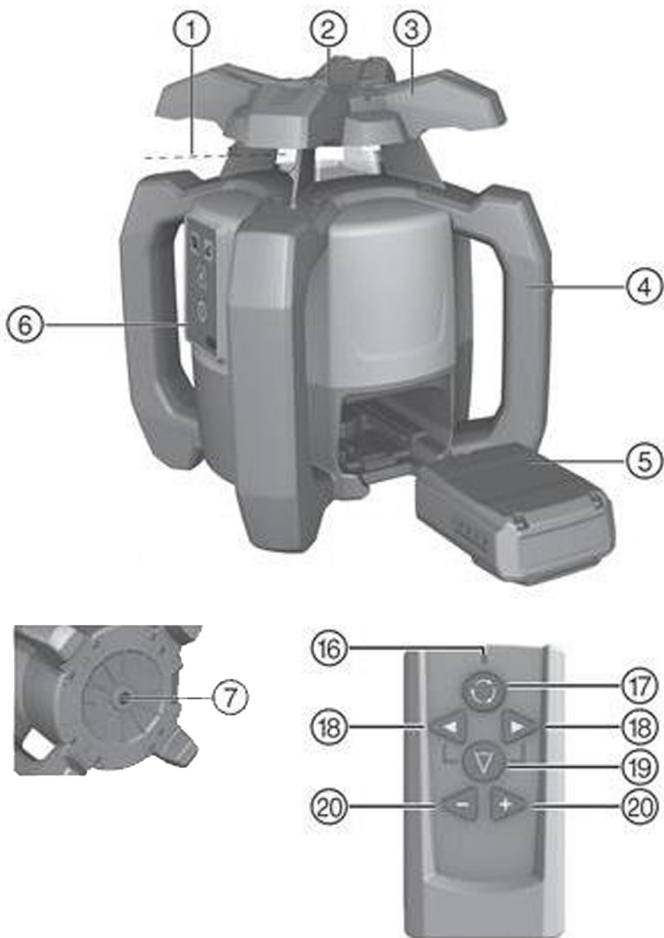


- Перегрев не использованного аккумулятора указывает на его дефект или неисправность системы «устройство + аккумулятор». **Отложите устройство в пожаробезопасное место на достаточном расстоянии от воспламеняющихся материалов, где вы сможете контролировать ситуацию. Дайте остыть аккумулятору.**

3 Описание

3.1 Обзор устройства

3.1.1 Ротационный лазерный нивелир PR 3-HVSG



Экспликация

- | | |
|-------------------------------------|-------------------------------------|
| ① Лазерный луч (плоскость вращения) | ④ Литий-ионный аккумулятор (Li-Ion) |
| ② Контрольный луч 90° | ⑤ Панель управления |
| ③ Рукоятка | ⑥ Опорная пластина с резьбой 5/8" |



3.1.2 Панель управления PR 3-HVSG A12

Экспликация

- | | |
|--|---|
| <ul style="list-style-type: none"> ⑧ Светодиод: автоматическое нивелирование ⑨ Кнопка: выключение функции «антишок» ⑩ Светодиод: выключение функции «антишок» | <ul style="list-style-type: none"> ⑪ Светодиод: угол наклона ⑫ Кнопка: угол наклона ⑬ Кнопка: частота вращения ⑭ Кнопка: Вкл./Выкл. ⑮ Индикатор заряда элементов питания |
|--|---|

3.1.3 Пульт ДУ PRA 2

Экспликация

- | | |
|--|--|
| <ul style="list-style-type: none"> ⑯ Светодиод: команда передана ⑰ Кнопка: частота вращения ⑱ Кнопка: кнопка направления линии (слева/справа) | <ul style="list-style-type: none"> ⑲ Кнопка: линейная функция ⑳ Кнопки управления серводвигателями (+/-) |
|--|--|

3.2 Использование по назначению

Данный инструмент представляет собой ротационный лазерный нивелир с видимым вращающимся лазерным лучом зеленого цвета и смещенным на 90° контрольным лучом. Ротационный лазерный нивелир может использоваться для проецирования лучей в вертикальной, горизонтальной и наклонной плоскостях. Он предназначен для разметки, переноса и проверки горизонтальных, вертикальных и наклонных плоскостей, а также прямых углов. Примеры использования: перенос точек отсчета (опорных точек) и отметок высоты, определение прямых углов стен, выравнивание точек отсчета по вертикали или разметка углов скоса.

- ▶ Для этого устройства используйте только литий-ионный аккумулятор фирмы Hilti B 12/2,6 или B 12-30.
- ▶ Для этого нивелира используйте только зарядное устройство Hilti C 4/12-50.

3.3 Особенности

Нивелир позволяет одному человеку быстро и с высокой точностью нивелировать любую плоскость. Доступны 4 различные установки частоты вращения: 0/90/300/600 об/мин. Предусмотренная частота вращения составляет 300 об/мин.

Нивелир оснащен следующими индикаторами рабочего состояния: светодиод автоматического нивелирования, светодиод режима наклона и светодиод функции «антишок».

При автоматическом нивелировании в одном или обоих направлениях сервосистема контролирует соблюдение пределов точности в соответствии с технической характеристикой. Если нивелирование не достигается (нивелир за пределами диапазона автоматического нивелирования или механически заблокирован) или нарушается установка нивелира (вибрация/толчок), происходит **автоматическое выключение нивелира**. После отключения вращения прекращается, начинают мигать все светодиоды.

Видимость лазерного луча может быть ограничена в зависимости от рабочего расстояния и яркости внешнего освещения. Видимость лазерного луча можно оптимизировать с помощью мишени. При сниженной видимости лазерного луча, например в результате воздействия солнечного света, рекомендуется использовать лазерный приемник (принадлежность).

Нивелирование

Автоматическое выравнивание ($\pm 5^\circ$) относительно той или иной **плоскости** осуществляется после включения нивелира двумя встроенными серводвигателями. Свечение светодиодов информирует о соответствующем рабочем состоянии. Нивелир допускается устанавливать непосредственно на полу, штативе или на подходящих держателях.

Нивелирование **по вертикали** осуществляется автоматически. С помощью кнопок «+/-» на пульте ДУ **PRA 2** вертикальную плоскость можно нивелировать (выверять вращением) вручную.

Угол наклона можно регулировать вручную в режиме наклона с помощью пульта ДУ **PRA 2** в диапазоне до $\pm 5^\circ$. В виде альтернативы в режиме наклона можно также использовать адаптер для наклона в диапазоне до 60 %.

Если во время работы нарушается позиционирование нивелира (вибрация/толчок), он посредством встроенной **функции «антишок»** переходит в режим предупреждения (активируется со второй минуты после завершения нивелирования). Мигают все светодиоды, лазерный нивелир выключается (головка больше не вращается).



Использование с другими устройствами

Пульт ДУ **PRA 2** дает возможность удобного управления ротационным лазером на различном расстоянии. Имеется дополнительная возможность выравнивания лазерного луча с помощью функции дистанционного управления.

Лазерные приемники **Hilti** могут использоваться для индикации лазерного луча на больших расстояниях. Подробная информация приводится в руководстве по эксплуатации лазерного приемника.

3.4 Светодиодные индикаторы

Ротационный лазерный нивелир оснащен светодиодными индикаторами.

Состояние	Значение
Все светодиоды мигают.	Нивелир получил толчок, вышел из режима нивелирования или имеет место другая ошибка.
Светодиод автоматического нивелирования мигает зеленым.	Инструмент находится в режиме нивелирования.
Светодиод автоматического нивелирования непрерывно горит зеленым.	Нивелир находится в режиме нивелирования/готов к работе.
Светодиод функции «антишок» непрерывно горит оранжевым.	Функция «антишок» деактивирована.
Светодиод индикации режима наклона непрерывно горит оранжевым.	Активирован режим наклона.

3.5 Индикация уровня заряда литий-ионного аккумулятора

Литий-ионный аккумулятор оснащен индикацией уровня заряда.

Состояние	Значение
Горят четыре светодиода.	Уровень заряда: от 75 % до 100 %
Горят три светодиода.	Уровень заряда: от 50 % до 75 %
Горят два светодиода.	Уровень заряда: от 25 % до 50 %
Горит один светодиод.	Уровень заряда: от 10 % до 25 %
Мигает один светодиод.	Уровень заряда: < 10 %



Во время работы уровень заряда аккумулятора отображается на панели управления нивелира. В нерабочем состоянии уровень заряда можно контролировать путем нажатия кнопки (де)блокировки.

Во время процесса зарядки посредством этого индикатора на аккумуляторе отображается уровень заряда (см. руководство по эксплуатации зарядного устройства).

3.6 Комплект поставки

Ротационный лазерный нивелир PR 3-HVSG A12, пульт ДУ **PRA 2**, мишень **PRA 54**, два элемента питания (батареи типа AA), два сертификата производителя, руководство по эксплуатации.



Другие системные принадлежности, допущенные для использования с этим инструментом, вы можете найти в **Hilti Store** или на сайте www.hilti.group.

4 Технические данные

Номинальное напряжение	10,8 В
Номинальный ток	160 мА
Максимальная высота установки над опорной высотой	2 000 м (6 561 фут — 8 дюйм)
Макс. относительная влажность воздуха	90 %
Дальность действия приемника (диаметр)	150 м
Дальность действия пульта ДУ (PRA 2)	30 м



Точность на расстоянии 10 м (при стандартных условиях окружающей среды согласно MIL-STD-810G)	±1 мм
Класс лазера	видимый, класс лазера 2, 510–530 нм/Р _о <4,85 мВт, ≥ 300 об/мин; EN 60825-1:2007; IEC 60825-1:2007
Рабочая температура	–10 °С ... 50 °С
Температура хранения	–25 °С ... 63 °С
Масса с аккумулятором B22/2.6 или B 12-30	2,4 кг
Высота при испытании методом сбрасывания (при стандартных условиях окружающей среды согласно MIL-STD-810G)	1,5 м
Резьба штатива	5/8 дюйм
Класс защиты согласно IEC 60529	IP 56

5 Ввод в эксплуатацию

5.1 Правильное обращение с лазерным нивелиром и аккумулятором

- ▶ Рис. 1: Работа в режиме горизонтальной плоскости
- ▶ Рис. 2: В режиме наклона лазерный нивелир следует приподнять на стороне панели управления.
- ▶ Рис. 3: Хранение или транспортировка в наклонном положении.
 - ▶ Удерживайте лазер таким образом, чтобы аккумуляторный отсек/аккумулятор НЕ был направлен вверх и туда не могла проникнуть влага.



Аккумулятор типа B12 не имеет класса защиты. Предохраняйте аккумулятор от дождя и иных воздействий влаги. Согласно директивам Hilti аккумулятор разрешается использовать только с соответствующим устройством. Для этого аккумулятор необходимо установить в предусмотренный для него отсек.

5.2 Установка аккумулятора

ОСТОРОЖНО

Опасность травмирования Непреднамеренное включение нивелира.

- ▶ Перед установкой аккумулятора убедитесь в том, что нивелир выключен.

ОСТОРОЖНО

Электрическая опасность! Вследствие загрязнения контактов возможно короткое замыкание.

- ▶ Перед установкой аккумулятора убедитесь в том, что его контакты и контакты в нивелире чистые.

ОСТОРОЖНО

Опасность травмирования Если аккумулятор установлен неправильно, он может упасть.

- ▶ Проверяйте надежность фиксации аккумулятора в нивелире во избежание его падения и возможной опасности вследствие этого для вас и других лиц.
- ▶ Установите аккумулятор и проверьте надежность его фиксации в нивелире.

5.3 Извлечение аккумулятора

- ▶ Извлеките аккумулятор.



6 Эксплуатация

6.1 Включение нивелира

- ▶ Нажмите кнопку «Вкл./Выкл.».



После включения нивелир переходит в режим автоматического нивелирования. Перед проведением важных измерений проверяйте точность нивелира, особенно после его падения на землю или после нестандартных механических воздействий на него.

6.2 Работа в горизонтальной плоскости

1. Смонтируйте нивелир на креплении.



В качестве крепления может использоваться настенный держатель или штатив. Макс. угол наклона опорной поверхности не должен превышать $\pm 5^\circ$.

2. Нажмите кнопку «Вкл./Выкл.». Светодиод автоматического нивелирования замигает зеленым светом.



После завершения нивелирования включается лазерный луч, начинается вращаться ротационная головка и непрерывно горит светодиод автоматического нивелирования.

6.3 Работа в вертикальной плоскости

1. Положите или смонтируйте инструмент таким образом, чтобы панель управления нивелира была направлена вверх.



Для соблюдения точности нивелир должен быть установлен на ровной поверхности или правильно закреплен на штативе/другом приспособлении.

2. Выровняйте вертикальную ось нивелира с помощью прицела и мушки в нужном направлении.



После завершения нивелирования включается лазерный луч, начинается вращаться ротационная головка и постоянно горит светодиод автоматического нивелирования.

3. Нажмите кнопку «Вкл./Выкл.». После завершения нивелирования нивелир активирует режим лазера с плоскостью лазерного луча, проецируемой вертикально вниз. Эта проецируемая точка является опорной точкой и служит для позиционирования нивелира.
4. Нажмите кнопку регулировки частоты вращения, чтобы видеть луч во всей плоскости вращения.
5. С помощью кнопок «+» и «-» пульта ДУ вращающийся в вертикальной плоскости лазерный луч можно смещать влево и вправо в диапазоне до 5° .

6.4 Наклон

Для достижения оптимальных результатов целесообразно проверять выравнивание PR 3-HVSG A12. Лучше всего делать это с помощью 2 точек слева и справа параллельно оси устройства каждая на расстоянии 5 м (16 футов) от него. Следует отметить высоту сnivelированной горизонтальной плоскости, затем отметить отметки высоты после наклона. Если значения высоты в обеих точках идентичны, устройство выровнено оптимально.

6.4.1 Ручная регулировка наклона

1. В зависимости от конкретной задачи установите нивелир, например, на штатив.
2. Расположите ротационный лазерный нивелир либо на верхнем, либо на нижнем краю наклонной плоскости.
3. Встаньте за нивелиром, лицом к панели управления.
4. С помощью метки на верхней части нивелира выровняйте нивелир параллельно наклонной плоскости.
5. Включите нивелир и нажмите кнопку активации режима наклона. Загорится светодиод режима наклона. По окончании выравнивания (нивелирования) включается лазерный луч.



- Для наклона плоскости нажмите кнопку «+»/«-» на пульте ДУ. В виде альтернативы также можно использовать адаптер (принадлежность).



При ручной регулировке наклона ротационный лазерный нивелир однократно нивелирует плоскость лазерного луча, после чего однократно фиксирует ее. Учтите, что этот ротационный лазер не компенсирует отклонения наклонной плоскости лазерного луча, которые могут быть вызваны изменением условий окружающей среды и/или перемещением крепления. Вибрации, изменения температуры или иные факторы воздействия, возникающие в ходе рабочего дня, могут изменять положение плоскости лазерного луча.

- Для возврата в исходный режим выключите и снова включите нивелир.

6.4.2 Регулировка угла наклона с помощью адаптера угла наклона

- Смонтируйте подходящий адаптер угла наклона на штативе.
- Расположите штатив либо на верхнем, либо на нижнем краю наклонной плоскости.
- Смонтируйте ротационный лазерный нивелир на адаптере и с помощью метки на верхней части PR 3-HVSG A12 выровняйте устройство (вместе с адаптером) параллельно плоскости наклона.
- Убедитесь в том, что адаптер находится в исходном положении (0°).



Панель управления PR 3-HVSG A12 должна находиться на стороне, противоположной направлению наклона.

- Включите устройство.
- Нажмите кнопку режима наклона. На панели управления ротационного лазера загорится светодиод режима наклона. Запускается автоматическое нивелирование устройства. Как только процесс нивелирования завершится, включается лазер и начинается вращение ротационной головки.
- Установите нужный угол наклона на адаптере.



При ручной регулировке наклона ротационный лазерный нивелир однократно нивелирует плоскость лазерного луча, после чего однократно фиксирует ее. Учтите, что этот ротационный лазер не компенсирует отклонения наклонной плоскости лазерного луча, которые могут быть вызваны изменением условий окружающей среды и/или перемещением крепления. Вибрации, изменения температуры или иные факторы воздействия, возникающие в ходе рабочего дня, могут изменять положение плоскости лазерного луча.

6.5 Работа с пультом ДУ PRA 2

Пульт ДУ PRA 2 облегчает работу с ротационным лазером и применяется для активации некоторых функций нивелира.

Выбор частоты вращения

После включения ротационный лазер запускается всегда с частотой вращения 300 об/мин. При низкой частоты вращения лазерный луч может светиться заметно ярче. При высокой частоты вращения свечение лазерного луча стабилизируется. Частота вращения изменяется путем многократного нажатия соответствующей кнопки.

Выбор линейной функции

Нажатием кнопки линейной функции на пульте ДУ диапазон лазерного луча можно уменьшить до одной линии. Вследствие этого лазерный луч становится значительно ярче. Многократным нажатием кнопки линейной функции можно изменять длину луча. Длина луча зависит от расстояния лазера от стены/поверхности. Лазерный луч можно произвольно смещать с помощью кнопок выбора направления (вправо/влево).

6.6 Деактивация функции «антишок»

- Включите нивелир.
- Нажмите кнопку деактивации функции «антишок». Непрерывное свечение светодиода функции «антишок» сигнализирует о том, что эта функция деактивирована.
- Для возврата в стандартный режим следует выключить нивелир и включить его повторно.

6.7 Проверка горизонтальной главной и поперечной осей

- Установите штатив на расстоянии прим. 20 м от стены и выровняйте головку штатива посредством ватерпаса по горизонтали.
- Установите нивелир на штатив и выровняйте головку нивелира с помощью метки по стене.



3. С помощью приемника захватите точку (точка 1) и отметьте ее на стене.
4. Поверните нивелир вокруг оси по часовой стрелке на 90°. Высоту нивелира при этом изменять не допускается.
5. С помощью приемника захватите вторую точку (точка 2) и отметьте ее на стене.
6. Повторите оба предыдущих шага еще дважды, захватите точки 3 и 4 с помощью приемника и отметьте их на стене.

При правильном выполнении вертикальное расстояние между двумя отмеченными точками 1 и 3 (главная ось) или точками 2 и 4 (поперечная ось) должно составлять < 3 мм (на расстоянии 20 м). При большем отклонении перешлите нивелир в сервисный центр **Hilti** для калибровки.

6.8 Проверка вертикальной оси

1. Установите нивелир вертикально на плоское основание (пол) на расстоянии прим. 20 м от стены.
2. Выровняйте рукоятки нивелира параллельно стене.
3. Включите нивелир и отметьте на полу точку отсчета (R).
4. С помощью приемника отметьте точку (A) на нижнем краю стены (выберите среднюю частоту вращения).
5. С помощью приемника отметьте точку (B) на высоте прим. 10 м.
6. Разверните нивелир на 180° и выровняйте его по точке отсчета (R) на полу и по нижней отмеченной точке (A) на стене.
7. С помощью приемника отметьте точку (C) на высоте прим. 10 м.

При правильном выполнении горизонтальное расстояние между двумя отмеченными на 10-метровой высоте точками (B и C) должно быть < 2 мм (на расстоянии 10 м). При значительном отклонении: отправьте нивелир в сервисный центр **Hilti** для калибровки.

7 Уход, техническое обслуживание, транспортировка и хранение

7.1 Очистка и сушка

- ▶ Сдувайте пыль с окна выхода лазерного луча.
- ▶ Не касайтесь окна выхода лазерного луча пальцами.
- ▶ Очищайте нивелир только чистой и мягкой тканью. При необходимости слегка смочите ткань в чистом спирте или небольшом количестве воды.

Слишком шероховатый материал для очистки может поцарапать стекло и ухудшить точность нивелира. Не используйте другие жидкости, поскольку они могут повредить пластиковые детали.

Сушите свое оборудование с соблюдением предельных значений температурного диапазона.

7.2 Хранение

- ▶ Нельзя хранить нивелир, если на нем имеется влага. Дайте влаге высохнуть перед тем, как убрать нивелир на хранение.
- ▶ Перед хранением высушите и очистите нивелир, коробку и комплектующие.
- ▶ После длительного хранения или транспортировки оборудования сделайте пробные измерения перед его использованием.
- ▶ При хранении оборудования соблюдайте температурный режим, особенно зимой/летом, если ваше оборудование хранится в автомобиле.

7.3 Уход за литий-ионным аккумулятором

- ▶ **Аккумулятор должен быть чистым, без следов масла или жира. Запрещается использовать чистящие средства, содержащие силикон.**
- ▶ Регулярно очищайте внешнюю поверхность аккумулятора слегка увлажненной тканью.
- ▶ Не допускайте попадания влаги.
- ▶ Заряжайте аккумуляторы с помощью допущенных к эксплуатации **Hilti** зарядных устройств для зарядки литий-ионных аккумуляторов.



7.4 Транспортировка

Соблюдайте специальные предписания по транспортировке, хранению и эксплуатации литий-ионных аккумуляторов.

Перед пересылкой нивелира следует изолировать или извлечь из него аккумуляторы и элементы питания. Протекшие элементы питания/аккумуляторы могут повредить нивелир.

7.5 Сервисная служба Hilti (измерительная техника)

Сервисная служба **Hilti**, специализирующаяся на ремонте измерительной техники, выполняет проверку и – в случае выявления отклонения – восстановление и повторную проверку соответствия спецификации нивелира. Соответствие спецификации на момент проверки подтверждается сертификатом сервисной службы в письменном виде. Рекомендуется:

- Выберите подходящий интервал проверки согласно использованию.
- После нестандартной нагрузки нивелира, перед выполнением ответственных работ, но не реже одного раза в год, сдавайте его в сервисный центр **Hilti** для проверки.

Проверка в сервисном центре **Hilti** не означает освобождение пользователя от обязательной проверки нивелира перед и во время его использования.

7.6 Проверка точности измерения

Для соблюдения требований технических спецификаций нивелир следует регулярно проверять (по крайней мере, перед каждой масштабной/ответственной работой)!

После падения нивелира с большой высоты необходимо проверить его функциональность. При следующих условиях можно исходить из того, что нивелир исправно функционирует:

- При падении не была превышена высота, указанная в технических характеристиках.
- До падения нивелир также работал исправно.
- Нивелир при падении не получил механических повреждений (например, не была повреждена пентапризма).
- Нивелир генерирует в ходе эксплуатации вращающийся лазерный луч.

8 Помощь при неисправностях

В случае неисправностей, которые не указаны в этой таблице или которые вы не можете устранить самостоятельно, обращайтесь в ближайший сервисный центр **Hilti**.

Неисправность	Возможная причина	Решение
Нивелир не функционирует.	Аккумулятор вставлен не полностью.	▶ Установите аккумулятор с характерным (двойным) щелчком.
	Аккумулятор разряжен.	▶ Замените аккумулятор и зарядите разряженный аккумулятор.
Аккумулятор разряжается быстрее, чем обычно.	Очень низкая температура окружающей среды.	▶ Обеспечьте постепенный нагрев аккумулятора до комнатной температуры.
При установке аккумулятора не слышно характерного щелчка.	Грязь на фиксирующих выступах аккумулятора.	▶ Очистите фиксирующие выступы и установите аккумулятор повторно.
Сильный нагрев нивелира или аккумулятора.	Электрическая неисправность	▶ Немедленно выключите нивелир, извлеките аккумулятор и наблюдайте за ним, дайте остыть аккумулятору и свяжитесь с сервисной службой Hilti .




9 Утилизация

ПРЕДУПРЕЖДЕНИЕ

Опасность травмирования вследствие неправильной утилизации! Опасность для здоровья вследствие выхода газов или жидкостей.

- ▶ Не пересылайте поврежденные аккумуляторы!
- ▶ Закрывайте аккумуляторные контакты не проводящим ток материалом, чтобы избежать коротких замыканий.
- ▶ Утилизируйте аккумуляторы так, чтобы исключить их попадание в руки детей.
- ▶ Утилизируйте аккумулятор через ближайший **Hilti Store** или обратитесь в специализированную фирму по утилизации.

 Большинство материалов, из которых изготовлены изделия **Hilti**, подлежит вторичной переработке. Перед утилизацией следует тщательно рассортировать материалы (для удобства их последующей переработки). Во многих странах фирма **Hilti** уже организовала прием бывших в использовании электрических и электронных устройств для утилизации. Дополнительную информацию по этому вопросу можно получить в отделе по обслуживанию клиентов или у консультантов по продажам фирмы **Hilti**.

В соответствии с директивой ЕС об утилизации бывших в использовании электрических и электронных устройств и в соответствии с местным законодательством электрические и электронные устройства (инструменты, приборы), бывшие в эксплуатации, должны утилизироваться отдельно безопасным для окружающей среды способом.



- ▶ Не выбрасывайте электронные измерительные инструменты вместе с обычным мусором!

Во избежание ущерба для окружающей среды утилизируйте устройства (инструменты, приборы), аккумуляторы и элементы питания в соответствии с действующими местными нормами.

10 Гарантия производителя

- ▶ С вопросами по поводу гарантийных условий обращайтесь в ближайшее представительство **Hilti**.

Оригинальный каталог

1 Использование каталога

1.1 Об использовании каталога

- **Важно!** Удостоверитесь в том, что вы используете актуальную версию каталога. Удостоверитесь в том, что вы используете актуальную версию каталога. Удостоверитесь в том, что вы используете актуальную версию каталога.
- **HILTI** продукты профессионального использования предназначены для использования только квалифицированным персоналом. Удостоверитесь в том, что вы используете актуальную версию каталога.
- В каталоге содержится информация о продуктах, которые могут быть доступны в вашем регионе. Удостоверитесь в том, что вы используете актуальную версию каталога.
- Удостоверитесь в том, что вы используете актуальную версию каталога.

1.2 Описание рисунка

1.2.1 Информация об уведомлении

Уведомление об уведомлении, продукт или информация о продукте, которые могут быть доступны в вашем регионе. Удостоверитесь в том, что вы используете актуальную версию каталога.



⚠ TEHLİKE**TEHLİKE !**

► Ağır vücut yaralanmalarına veya doğrudan ölüme sebep olabilecek tehlikeler için.

⚠ İKAZ**İKAZ !**





► Ağır yaralanmalara veya ölüme neden olabilecek tehlikeler için.

⚠ DİKKAT**DİKKAT !**

► Vücut yaralanmalarına veya maddi hasarlara yol açabilecek olası tehlikeli durumlar için.





1.2.2 Dokümandaki semboller

Bu dokümanda aşağıdaki semboller kullanılmıştır:

	Kullanmadan önce kullanım kılavuzunu okuyunuz
	Kullanım uyarıları ve diğer gerekli bilgiler
	Geri dönüşümlü malzemeler ile çalışma
	Elektrikli aletleri ve aküleri evdeki çöplere atmayınız



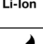


1.2.3 Resimlerdeki semboller

Resimlerde aşağıdaki semboller kullanılmıştır:

	Bu sayılar, kılavuzun başlangıcındaki ilgili resimlere atanmıştır
	Numaralandırma, resimdeki çalışma adımlarının sırasını göstermektedir ve metindeki çalışma adımlarından farklı olabilir
	Pozisyon numaraları Genel bakış resminde kullanılır ve Ürüne genel bakış bölümündeki açıklama numaralarına referans niteliğindedir
	Bu işaret, ürün ile çalışırken dikkatinizi çekmek için koyulmuştur.

1.3 Ürüne bağlı semboller**1.3.1 Üründeki semboller**

Üründe aşağıdaki semboller kullanılabilir:

	Ürün, iOS ve Android platformları ile uyumlu kablosuz veri aktarımını destekler.
	Kullanılan Hilti Lityum İyon akü tip serisi. Usulüne uygun kullanım bölümündeki bilgileri dikkate alınız.
	Lityum İyon akü
	Aküyü asla darbe aleti olarak kullanmayınız.
	Aküyü düşürmeyiniz. Darbe almış veya hasar görmüş bir aküyü kullanmayınız.

1.4 Ürün bilgileri

HILTI ürünleri profesyonel kullanıcıların kullanımı için öngörülmüştür ve sadece yetkili personel tarafından kullanılabilir ve bakımı yapılabilir. Bu personel, meydana gelebilecek tehlikeler hakkında özel olarak eğitim görmüş olmalıdır. Aletin ve ilgili yardımcı gereçlerin eğitimsiz personel tarafından usulüne uygun olmayan şekilde kullanılması ve amaçları dışında çalıştırılması sonucu tehlikeli durumlar söz konusu olabilir.



Tip tanımı ve seri numarası, tip plakası üzerinde belirtilmiştir.

- Seri numarasını aşağıdaki tabloya aktarınız. Ürün bilgileri acente veya servis merkezini aradığınızda sorulabilir.

Ürün bilgileri

Motorlu eksenel lazer	PR 3-HVSG A12
Nesil	02
Seri no.	

1.5 Uygunluk beyanı

Burada tanımlanan ürünün, geçerli yönetmeliklere ve normlara uygun olduğunu kendi sorumluluğumuzda beyan ederiz. Bu dokümantasyonun sonunda uygunluk beyanının bir kopyasını bulabilirsiniz.

Teknik dokümantasyonlar eklidir:

Hilti Entwicklungsgesellschaft mbH | Zulassung Geräte | Hiltistraße 6 | 86916 Kaufering, DE

2 Güvenlik

2.1 Güvenlik uyarıları

2.1.1 Temel güvenlik talimatları

Tüm güvenlik uyarılarını ve talimatlarını okuyunuz. Güvenlik uyarılarına ve talimatlara uyulmaması durumunda elektrik çarpması, yangın ve/veya ağır yaralanmalar ortaya çıkabilir.

Tüm güvenlik uyarılarını ve kullanım talimatlarını muhafaza ediniz. Güvenlik uyarılarında kullanılan "elektrikli el aleti" terimi, şebeke işletimli elektrikli el aletleri (şebeke kablosu ile) ve akü işletimli elektrikli el aletleri (şebeke kablosu olmadan) ile ilgilidir.

2.1.2 Genel güvenlik önlemleri

- **Dikkatli olunuz, ne yaptığınızın dikkat ediniz ve elektrikli el aleti ile mantıklı bir şekilde çalışınız.** Yorgunsanız, ilaç ya da alkol alıyorsanız veya tıbbi tedavi görüyorsanız elektrikli el aletlerini kullanmayınız. Elektrikli el aletini kullanırken bir anlık dikkatsizlik göstermeniz, ciddi yaralanmalara neden olabilir.
- **Hiçbir emniyet tertibatını devre dışı bırakmayınız ve hiçbir uyarı ve ikaz levhasını çıkarmayınız.**
- **Çocukları lazer aletlerinden uzak tutunuz.**
- Aletin vidaları usulüne uygun şekilde açılmazsa Sınıf 2 kapsamındaki değerleri aşan lazer ışınları oluşabilir. **Aletin sadece yetkili Hilti servis noktalarında onarılmasını sağlayınız.**
- Lazer ışınları göz seviyesinin üstünden veya altından geçmelidir.
- **Çevre etkilerini dikkate alınız. Yangın veya patlama tehlikesi olan yerlerde aleti kullanmayınız.**
- FCC§15.21 uyarınca uyarı: Alet üzerinde Hilti tarafından açıkça izin verilmeyen değişikliklerin veya modifikasyonların yapılması, kullanıcının alet kullanım haklarını sınırlandırabilir.
- **Bir düşmeden sonra veya diğer mekanik etkilere maruz kaldığında aletin hassasiyeti kontrol edilmelidir.**
- **Alet sıcaklığın çok düşük olduğu bir ortamdan daha sıcak bir ortama getirildiğinde veya tam tersi olduğunda, ortam şartlarına uygun sıcaklığa ulaşana kadar beklenmelidir.**
- **Adaptörler ve aksesuarlar ile kullanımda aletin güvenli bir şekilde sabitlendiğinden emin olunuz.**
- **Hatalı ölçümü önlemek için lazer çıkış camları temiz tutulmalıdır.**
- **Alet, zorlu inşaat yeri kullanımı için tasarlanmış olsa da, diğer optik ve elektrikli aletler (dürbün, gözlük, fotoğraf makinesi) gibi özenle bakımı yapılmalıdır.**
- **Alet nem almaya karşı korumalıdır, ancak siz yine de taşıma çantasına koymadan önce aleti kurulumunuz.**
- **Aleti önemli ölçümlerden önce kontrol ediniz.**
- **Hassasiyetini kullanım sırasında birçok defa kontrol ediniz.**
- **Çalışma yerinin iyi aydınlatılmasını sağlayınız.**
- **Kontaklara temas etmekten kaçınınız.**
- **Aletin bakımını titizlikle yapınız. Hareketli parçaların kusursuz çalışıp çalışmadığını, sıkışıp sıkışmadığını, parçaların kırılıp kırılmadığını veya hasar görüp görmediğini ve bu nedenlerle alet fonksiyonlarında kısıtlanma olup olmadığını kontrol ediniz. Hasarlı parçaları aleti kullanmadan önce tamir ettiriniz.** Birçok kazanın nedeni elektrikli alet bakımının kötü yapılmasıdır.



2.1.3 Çalışma yerinin gereken şekilde düzenlenmesi

- ▶ Ölçüm yerini emniyete alınız. PR 3-HVSG A12 aletini dik konuma getirirken, ışını başka kişilere veya kendinize doğrultmadığınızdan emin olunuz.
- ▶ Merdiven üzerindeki doğrultma çalışmalarında aşırı vücut hareketlerinden sakınınız. Güvenli bir duruş sağlayınız ve her zaman dengeli durunuz.
- ▶ Camların veya benzer malzemelerden oluşan yansıtımlı nesnelerin veya yüzeylerin yakınlarındaki ölçümlerde ölçüm sonuçları hatalı olabilir.
- ▶ **Aletin düz ve stabil bir yüzeye kurulmasına dikkat edilmelidir (titreşimsiz!).**
- ▶ **Aleti sadece belirtilen uygulama sınırları içerisinde kullanınız.**
- ▶ **Aleti, aksesuarları, ek aletleri vb. bu talimatlara ve bu alet için özel açıklamalara uygun şekilde kullanınız. Çalışma şartlarını ve yapılacak işi de ayrıca göz önünde bulundurunuz.**Aletlerin öngörülen uygulamalar dışında kullanılması tehlikeli durumlara yol açabilir.
- ▶ **Yüksek gerilim hatları yakınında ölçüm çubuğu ile çalışmaya izin verilmez.**
- ▶ Ortamda başka bir PR 3-HVSG A12 kullanılmadığından emin olunuz. **İnfrared uzaktan kumanda nedeniyle aletiniz etkilenebilir.**Tertibatı zaman zaman kontrol ediniz.

2.1.4 Elektromanyetik uyumluluk

Alet, yürürlükteki yönergeler kapsamındaki tüm gereklilikleri yerine getirebilecek özelliktedir, buna rağmen Hilti aşağıdakilerin gerçekleşmeyeceği garantisini veremez:

- Alet, güçlü ışına nedeniyle hasar görebilir, bu da hatalı çalışmasına neden olabilir. Bu durumda veya buna benzer emin olmadığınız diğer durumlarda kontrol ölçümleri yapılmalıdır.
- Alet diğer aletlere (örn. uçaklardaki navigasyon donanımları) zarar verebilir.

Sadece Kore için:

Bu alet, yerleşim bölgelerindeki elektromanyetik dalgalara uygundur (Sınıf B). Esas olarak yerleşim bölgelerindeki kullanımlar için öngörülmüştür, ama farklı alanlarda da kullanılması mümkündür.

2.1.5 Lazer sınıfı 2 olan aletler için lazer sınıflandırması

Alet, IEC60825-1:2007 / EN60825-1:2007 uyarınca Lazer Sınıfı 2 kapsamındadır. Bu aletler başka koruyucu önlemler olmadan kullanılabilir.

⚠ DİKKAT

Yaralanma tehlikesi! Lazer ışını kişilere doğrultulmamalıdır.

- ▶ Lazer ışık kaynağına kesinlikle çıplak gözle doğrudan bakmayınız. Doğrudan gözle temas etmesi halinde gözlerinizi hemen kapatınız ve kafanızı ışın bölgesinden uzağa çeviriniz.

2.1.6 Akülü aletlerde dikkatli kullanım

- ▶ **Aküler, yüksek sıcaklıklarda, doğrudan güneş ışığından ve ateşten uzak tutulmalıdır.** Patlama tehlikesi vardır.
- ▶ **Aküler parçalarına ayrılmamalı, ezilmemeli, 80°C (176°F) üzerine ısıtılmamalı veya yakılmamalıdır.** Aksi takdirde yangın, patlama ve zehirlenme tehlikesi oluşur.
- ▶ **Aküyü kesinlikle yoğun mekanik çarpmalara maruz bırakmayınız, aküyü fırlatmayınız.**
- ▶ **Aküleri çocukların ulaşamayacağı yerlerde muhafaza ediniz.**
- ▶ **Nem almasını önleyiniz.** İçeri sızan nem bir kısa devreye neden olabilir ve bunun sonucunda yanıklar ve yangınlar oluşabilir.
- ▶ **Yanlış kullanımda aküden sıvı çıkabilir. Bunlar ile teması önleyiniz. Yanlışlıkla temasta su ile durulayınız. Sıvı gözlere temas ederse ayrıca doktor yardımı isteyiniz.** Dışarı akan sıvı cildin tahriş olmasına veya yanmasına neden olabilir.
- ▶ **Sadece ilgili alet için izin verilen aküleri kullanınız.** Başka akülerin veya akülerin öngörülmemeyen amaçlara yönelik kullanılması durumunda yangın ve patlama tehlikesi söz konusudur.
- ▶ Aküyü mümkün olduğunca serin ve kuru yerde muhafaza ediniz. Aküyü kesinlikle güneşte bırakmayınız, ısıtıcıların üzerine veya camların arkasına koymayınız.
- ▶ **Kullanılmayan akü veya şarj cihazını, akünün veya şarj ünitesinin köprülenmesine sebep olacak ataçlar, madeni paralar, anahtarlar, çiviler, vidalar veya diğer küçük metal cisimlerden uzak tutunuz.** Akü veya şarj cihazı kontaktların kısa devre yapması alevlenmelere veya yangınlara neden olabilir.
- ▶ **Hasarlı aküler (örneğin çatlak, kırık parça, bükülme, içeri girmiş ve/veya dışarı çıkmış kontak noktaları bulunan aküler) şarj edilmemeli veya tekrar kullanılmamalıdır.**
- ▶ **Aküleri sadece üretici tarafından tavsiye edilen şarj cihazları ile şarj ediniz.** Belirli bir akü için uygun olan bir şarj cihazı, başka akülerle kullanılırsa yanma tehlikesi vardır.

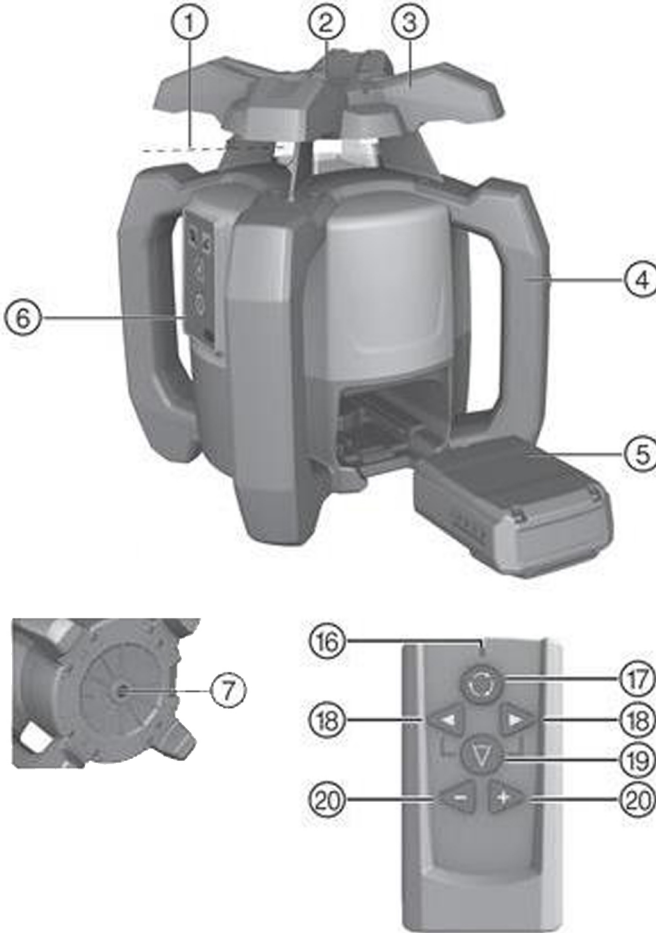


- ▶ Lityum İyon akülerin taşıma, depolama ve kullanımına yönelik özel talimatları dikkate alınız.
- ▶ **Aleti gönderirken aküleri yalıtmanız veya aletten çıkartmanız gerekir.** Akülerin akması aletin zarar görmesine neden olabilir.
- ▶ Çalıştırılmayan bir akü fark edilir derecede sıcaksa aküde veya alet / akü sisteminde arızalı olabilir. **Aleti, yanıcı malzemelere yeterince uzak olan ve aletin yanmayacağı bir yere bırakınız, burada aleti gözetim altında tutarak soğumasını sağlayınız.**

3 Tanımlama

3.1 Ürüne genel bakış

3.1.1 Motorlu eksenel lazer PR 3-HVSG



Semboller

- | | |
|--------------------------------|------------------------|
| ① Lazer ışını (eksenel düzlem) | ④ Lityum İyon akü |
| ② 90° Referans ışık huzmesi | ⑤ Kontrol paneli |
| ③ Tutamak | ⑥ 5/8" dişli ana plaka |



3.1.2 Kontrol paneli PR 3-HVSG A12

Semboller

- | | | | |
|---|---------------------------------------|---|----------------------|
| ⑧ | LED: Otomatik ayarlama | ⑫ | Tuş: Eğim açısı |
| ⑨ | Tuş: Şok uyarısını devre dışı bırakma | ⑬ | Tuş: Dönme hızı |
| ⑩ | LED: Şok uyarısını devre dışı bırakma | ⑭ | Tuş: Açık/Kapalı |
| ⑪ | LED: Eğim açısı | ⑮ | Pil durum göstergesi |

3.1.3 Uzaktan kumanda PRA 2

Semboller

- | | | | |
|---|---------------------------|---|-----------------------|
| ⑯ | LED: Komut gönderildi | ⑲ | Tuş: Çizgi fonksiyonu |
| ⑰ | Tuş: Dönme hızı | ⑳ | Servo tuşları (+/-) |
| ⑱ | Tuş: Çizgi yönü (sol/sağ) | | |

3.2 Usulüne uygun kullanım

Açıklanan ürün, görünür ve döner lazer ışınları ve 90° kaydırılabilir referans ışık huzmeli bir motorlu eksenel lazerdir. Motorlu eksenel lazer dikey, yatay ve eğimli olarak kullanılabilir. Bu alet, yatay yükseklik akışlarının, dikey ve eğimli yüzeylerin ve doğrusal açılarının belirlenmesi, aktarılması ve kontrol edilmesi için tasarlanmıştır. Kullanımına yönelik örnekler şunlardır: Metre ve yükseklik çizgilerinin aktarılması, duvarlardaki doğrusal açıların belirlenmesi, referans noktaları üzerine dikey hizalama veya eğimli yüzeylerin oluşturulması.

- ▶ Bu ürün için sadece **Hilti** B 12/2.6 veya B 12-30 lityum iyon aküler kullanınız.
- ▶ Bu ürün için sadece **Hilti** C 4/12-50 şarj cihazını kullanınız.

3.3 Özellikler

Bu alet sayesinde kullanıcı, her türlü yüzeydeki kot alma işlemlerini tek başına son derece hızlı ve hassas bir şekilde gerçekleştirebilir.

4 farklı dönme hızı mevcuttur (0, 90, 300, 600 dev/dak). Ön ayarlı dönme hızı 300 dev/dak'tır.

Alette şu işletim durumu göstergeleri mevcuttur: LED otomatik ayarlama, LED eğim açısı ve LED şok uyarısı. Bir veya iki yönden otomatik kendini ayarlama servo sistemi belirlenleştirilen hassasiyete uyulmasını denetler. Kot alma gerçekleşmemişse (alet kot alma alanı dışındaysa veya mekanik blokaj söz konusuysa) veya alet düz çizginin dışına çıkmışsa (titreşim/çarpma) **otomatik kapanma** işlemi gerçekleştirilir. Başarılı kapatma işleminden sonra rotasyon kapanır ve tüm LED'ler yanıp söner.

Çalışma mesafesine ve ortam ışığına bağlı olarak **lazer ışınının görünürlüğü** sınırlı olabilir. Hedef plakasının yardımıyla görünürlük iyileştirilebilir. Lazer ışınının görünürlüğü düşük olduğu durumlarda, örneğin güneş ışığında lazer dedektörünün (aksesuar) kullanılması tavsiye edilir.

Kot alma

Aletin **kot alma düzlüğüne** hizalanması ($\pm 5^\circ$), alet açıldıktan sonra takılı olan iki servo motor aracılığıyla otomatik olarak gerçekleştirilir. LED'ler ilgili çalışma durumunu gösterir. Doğrultma, doğrudan tabanda, bir tripod üzerinde veya uygun tutucular ile gerçekleştirilebilir.

Kot alma **düz çizgiye göre** otomatik olarak gerçekleştirilir. **PRA 2** uzaktan kumandasındaki +/- tuşları ile, dikey düzlem manüel olarak hizalanabilir (döndürülebilir).

Eğim, **PRA 2** uzaktan kumandasının yardımıyla eğim modunda manüel olarak $\pm 5^\circ$ seviyesine kadar ayarlanabilir. Alternatif olarak, eğim modunda eğim adaptörü ile de %60'a varan eğimler ayarlanabilir.

Alet çalışırken kottan dışarı çıkarsa (titreşim / çarpma), entegre **şok uyarısı fonksiyonu** sayesinde uyarı moduna alınır (kota geldikten iki dakika sonra otomatik olarak çalışmaya başlar). Tüm LED'ler yanıp söner, başlık artık dönmez ve lazer kapanır.

Diğer aletler ile kombinasyon

PRA 2 uzaktan kumandası sayesinde, motorlu eksenel lazerin istenen mesafelerden de rahatça kumanda edilebilmesi mümkündür. Ayrıca uzaktan kumanda fonksiyonu ile lazer ışınının hizalanması da mümkündür. Lazer ışınlarının daha büyük mesafelerde gösterilmesi için **Hilti** lazer dedektörleri kullanılabilir. Ayrıntılı bilgileri lazer dedektörünün kullanım kılavuzunda bulabilirsiniz.

3.4 LED göstergeler

Motorlu eksenel lazer LED göstergeler ile donatılmıştır.



Durum	Anlamı
Bütün LED'ler yanıp sönüyor	Alet darbeye maruz kalmış, kot alma fonksiyonunu yitirmiş veya başka bir hata içeriyor.
LED otomatik ayarlama yeşil yanıp sönüyor	Alet otomatik olarak kendini ayarlar.
LED otomatik ayarlama sürekli yeşil yanıyor	Alet kot alıyor, gerektiği gibi çalışıyor.
LED şok uyarısı sürekli turuncu yanıyor	Şok uyarısı devre dışı bırakıldı.
LED eğim göstergesi sürekli turuncu yanıyor	Eğim modu devrede.

3.5 Lityum İyon akülerin şarj durumu göstergesi

Lityum iyon akü bir şarj durumu göstergesine sahiptir.

Durum	Anlamı
4 LED yanıyor.	Şarj durumu: % 75 ile %100 arası
3 LED yanıyor.	Şarj durumu: % 50 ile %75'e kadar
2 LED yanıyor.	Şarj durumu: % 25 ile %50'e kadar
1 LED yanıyor.	Şarj durumu: % 10 ile %25 arası
1 LED yanıp sönüyor.	Şarj durumu: < % 10



Çalışma sırasında akünün şarj durumu aletin kontrol panelinde gösterilir.

Dinlenme konumunda şarj durumu, kilit açma düğmesine basılarak gösterilebilir.

Şarj etme işlemi esnasında şarj durumu aküdeki göstergede gösterilir (bkz. şarj cihazı kullanım kılavuzu).

3.6 Teslimat kapsamı

PR 3-HVSG A12 motorlu eksenel lazer, PRA 2 uzaktan kumanda, PRA 54 hedef plakası, 2 pil (AA hücre), 2 üretici sertifikası, kullanım kılavuzu.



Ürün için izin verilen diğer sistem ürünlerini **Hilti Store**'da veya şu adreste bulabilirsiniz:
www.hilti.group

4 Teknik veriler

Nominal gerilim	10,8 V
Nominal akım	160 mA
Referans yüksekliğinin üzerinde maksimum kullanım yüksekliği	2.000 mt (6.561 ft — 8 in)
Maksimum bağıl nem	90 %
Çalışma menzili (çap)	150 mt
İletişim kapsama alanı (PRA 2)	30 mt
10 m için hassasiyet (MIL-STD-810G kapsamındaki standart ortam koşulları altında)	±1 mm
Lazer sınıfı	Görünür, Lazer Sınıfı 2, 510-530 nm/Po<4,85 mW ≥ 300/dak; EN 60825-1:2007; IEC 60825-1:2007
Çalışma sıcaklığı	-10 °C ... 50 °C
Depolama sıcaklığı	-25 °C ... 63 °C
Ağırlık B22/2.6 veya B 12-30 akü dahil	2,4 kg
Düşme testi yüksekliği (MIL-STD-810G kapsamındaki standart ortam koşulları altında)	1,5 mt
Tripod dişlisi	5/8 in
IEC 60529 uyarınca koruma sınıfı	IP 56



5 Çalıştırma

5.1 Lazer ve akünün doğru kullanımı 6

- ▶ Resim 1: Yatay modda çalışma.
- ▶ Resim 2: Eğim modunda lazer, kontrol paneli tarafına kaldırılmaktadır.
- ▶ Resim 3: Eğimli konumda muhafaza etme veya taşıma.
 - ▶ Lazer, akü yuvası veya akü yukarıyı GÖSTERMEYECEK ve içeri nem girmeyecek şekilde tutulmalıdır.



Akü tipi B12 için koruma sınıfı mevcut değildir. Aküler yağmur ve nemden uzak tutulmalıdır. **Hilti** direktifleri uyarınca akü sadece ilgili ürün ile birlikte kullanılmalı ve ilgili pil bölmesine yerleştirilmelidir.

5.2 Akünün yerleştirilmesi 4



DİKKAT

Yaralanma tehlikesi. Ürünün yanlışlıkla çalışmaya başlaması.

- ▶ Aküyü takmadan önce aletin kapalı konumda olduğundan emin olunuz.



DİKKAT

Elektrik tehlikesi. Kirli kontaklar nedeniyle kısa devre yaşanabilir.

- ▶ Aküyü yerleştirmeden önce, akü ve alet kontaklarında yabancı cisimler olmadığından emin olunuz.



DİKKAT

Yaralanma tehlikesi. Akü eğer doğru biçimde yerleştirilmezse, çalışma sırasında düşebilir.

- ▶ Akünün yere düşmemesi ve başka tehlikelere neden olmaması için alete güvenli biçimde oturup oturmadığını kontrol ediniz.
- ▶ Aküyü yerleştiriniz ve akünün alete güvenli biçimde oturup oturmadığını kontrol ediniz.

5.3 Akünün çıkartılması 5

- ▶ Aküyü çıkartınız.

6 Kullanım

6.1 Aletin devreye alınması

- ▶ "AÇMA / KAPATMA" tuşuna basınız.



Açıldıktan sonra alet otomatik kot almayı başlatır.

Önemli ölçümlerden önce, özellikle de alet zemine düşmüşse veya olağan dışı mekanik etkilere maruz kalmışsa, aletin hassasiyetini kontrol ediniz.

6.2 Yatay yüzeyde çalışma 6

1. Aleti bir tutucu üzerine monte ediniz.



Tutucu olarak bir duvar sabitlemesi veya tripod kullanılabilir. Kaplama yüzeyinin eğim açısı maksimum $\pm 5^\circ$ olmalıdır.

2. "Açma / Kapatma" tuşuna basınız. Otomatik kot alma LED'i yeşil renkte yanıp söner.



Kot alma durumuna erişilir erişilmez lazer ışını devreye girer, döner ve otomatik kot alma LED'i sürekli yanar.

6.3 Dikey yüzeyde çalışma 7

1. Aleti, kontrol paneli üste gelecek şekilde yerleştiriniz.



Belirlenen hassasiyete uyulabilmesi için alet düz bir yüzeye konumlandırılmalı veya uygun bir tripod veya başka bir aksesuar üzerine monte edilmelidir.



2. Aletin dikey aksını, çentikler ve girintiler yardımıyla istediğiniz yönde hizalayınız.



Kot alma durumuna erişilir erişilmez lazer ışını devreye girer, döner ve otomatik kot alma LED'i sürekli yanar.

3. "Açma / Kapatma" tuşuna basınız. Kot alma işleminden sonra alet, dikey konumda aşağıya doğru izdüşümü alınan mevcut rotasyon ışını ile birlikte lazer işletimini başlatır. Bu izdüşümü alınan nokta, referans noktasıdır ve aletin konumlandırılması için kullanılır.
4. Işını eksenal düzleminin tamamında görmek için dönme hızı tuşuna basınız.
5. Uzaktan kumandaki + ve - tuşları ile dikey rotasyon ışınına sola ve sağa doğru en fazla 5 ° hareket ettirebilirsiniz.

6.4 Eğim

PR 3-HVSG A12 hizalamasının kontrol edilmesi, optimum sonuçlar için yararlı olur. Bu durumun kontrolü en iyi şekilde, aletin 5 m (16ft) solunda ve sağında bulunan ve alet aksına paralel olan 2 noktanın seçilmesi aracılığıyla gerçekleştirilir. Kotu alınan yatay düzlemin yüksekliğini ve daha sonra eğime göre yüksekliği işaretleyiniz. Sadece bu iki nokta üzerindeki yükseklik değerlerinin aynı olması durumunda, alet hizalaması optimize edilmiş olur.

6.4.1 Eğimin manuel olarak ayarlanması

1. Uygulamaya göre aleti örn. tripoda monte ediniz.
2. Motorlu eksenal lazeri, eğimli düzlemin üst kenarına veya alt kenarına konumlandırınız.
3. Aletin arkasına geçiniz ve kontrol paneline doğru bakacak şekilde durunuz.
4. Aletin baş kısmında bulunan hedef çentik aracılığıyla aleti eğimli düzleme paralel konumda hizalayınız.
5. Aleti açınız ve eğim modu tuşuna basınız. Eğim modu LED'i yanar. Kot alma seviyesine ulaştığında lazer ışını açılır.
6. Düzlemi eğimlendirmek için uzaktan kumandada + veya - tuşuna basınız. Ayrıca bir eğim adaptörü (aksesuar) de kullanabilirsiniz.



Manuel eğim ayarı sırasında motorlu eksenal lazer, lazer düzlemini bir defa kot alır ve ardından sabitler. Bu motorlu eksenal lazerin, eğimli lazer düzlemini, çevre koşullarının değişikliğinden ve/veya sabitlemesinin kaymasından dolayı oluşabilecek bir sapmaya karşı dengelemeyeceğini dikkate alınız. Gün içinde ortaya çıkabilecek titreşimler, sıcaklık değişimleri veya diğer etkiler, lazer düzleminin pozisyonuna etki edebilir.

7. Standart moda geri dönmek için alet kapatılmalı ve tekrar çalıştırılmalıdır.

6.4.2 Eğimin, eğim adaptörünün yardımıyla ayarlanması

1. Tripod üzerine uygun bir eğim adaptörü monte ediniz.
2. Tripodu eğimli düzlemin üst kenarına veya alt kenarına konumlandırınız.
3. Motorlu eksenal lazeri eğim adaptörü üzerine monte ediniz ve PR 3-HVSG A12 başlığındaki hedef çentikli yardımıyla aleti ve eğim adaptörünü eğimli düzleme paralel olarak hizalayınız.
4. Eğim adaptörünün başlangıç pozisyonunda (0°) olduğundan emin olunuz.



PR 3-HVSG A12 kontrol paneli, eğim yönünün ters tarafında bulunmalıdır.

5. Aleti devreye alınız.
6. Eğim modu tuşuna basınız. Motorlu eksenal lazerin kontrol panelinde LED eğim modu yanar. Alet otomatik kot alma işlemini başlatır. Bu işlem tamamlanır tamamlanmaz lazer devreye girer ve dönmeye başlar.
7. Eğim adaptöründe istediğiniz eğim açısını ayarlayınız.



Manuel eğim ayarı sırasında motorlu eksenal lazer, lazer düzlemini bir defa kot alır ve ardından sabitler. Bu motorlu eksenal lazerin, eğimli lazer düzlemini, çevre koşullarının değişikliğinden ve/veya sabitlemesinin kaymasından dolayı oluşabilecek bir sapmaya karşı dengelemeyeceğini dikkate alınız. Gün içinde ortaya çıkabilecek titreşimler, sıcaklık değişimleri veya diğer etkiler, lazer düzleminin pozisyonuna etki edebilir.



6.5 PRA 2 uzaktan kumanda ile çalışma

Uzaktan kumanda PRA 2, motorlu eksenel lazer ile çalışmayı kolaylaştırır ve aletin bazı fonksiyonlarını kullanabilmek için gereklidir.

Dönme hızının seçimi

Motorlu eksenel lazer, açıldıktan sonra her zaman 300 devir/dakika ile çalışmaya başlar. Ancak dönme hızının yavaş olması lazer ışınının çok daha açık renkte görünmesine neden olabilir. Dönme hızı yüksek olduğunda lazer ışını daha stabil etki edebilir. Dönme hızı tuşuna birkaç kez basılarak hız ayarı yapılabilir.

Çizgi fonksiyonunun seçilmesi

Uzaktan kumandadaki çizgi fonksiyonu tuşuna basılarak lazer ışını bölgesi bir çizgi biçimine indirgenebilir. Böylece lazer ışını daha açık görünür. Çizgi fonksiyonu tuşuna birden çok basılarak çizginin uzunluğu değiştirilebilir. Çizginin uzunluğu lazerin duvardan/ üst yüzeyden mesafesine bağlıdır. Lazer çizgisi, yön tuşları (sağ/sol) yardımıyla herhangi bir şekilde kaydırılabilir.

6.6 Şok uyarısı fonksiyonunun devre dışı bırakılması

1. Aleti devreye alınız.
2. "Şok uyarısı fonksiyonunu devre dışı bırakma" tuşuna basınız. Şok uyarısı fonksiyonunu devre dışı bırakma LED'inin sürekli yanması, fonksiyonun devre dışı bırakıldığını gösterir.
3. Standart moda geri dönmek için aleti kapatınız ve tekrar çalıştırınız.

6.7 Yatay ana ve çapraz eksenin kontrol edilmesi

1. Tripodu, duvardan yakl. 20 m (66 ayak) uzağa yerleştiriniz ve tripod başlığını, su terazisi aracılığıyla yatay konumda hizalayınız.
2. Aleti, tripod üzerine monte ediniz ve alet başlığını, hedef çentiği yardımıyla duvara hizalayınız.
3. Dedektör yardımıyla bir nokta (nokta 1) belirleyiniz ve duvarda işaretleyiniz.
4. Aleti, alet ekseninin etrafında saat yönünde 90° döndürünüz. Bu sırada alet yüksekliği değiştirilmemelidir.
5. Lazer dedektörü yardımıyla ikinci bir nokta (nokta 2) belirleyiniz ve duvarda işaretleyiniz.
6. Önceki iki adımı iki defa daha tekrarlayınız ve 3. ve 4. noktaları dedektörün yardımıyla belirleyiniz ve duvarda işaretleyiniz.



İşlemlerin doğru yapılması durumunda, her iki işaretlenen 1 ve 3 noktası veya (ana aks) 2 ve 4 noktası (çapraz aks) arasındaki dikey mesafe < 3 mm olmalıdır (20 m için) (66 ayak için 0,12 inç). Farkın daha yüksek olması durumunda aleti kalibre edilmek üzere **Hilti** servisine gönderiniz.

6.8 Dikey aks kontrolü

1. Aleti, dikey konumda mümkün olduğunca yassı bir yüzey üzerine, duvardan yakl. 20 m (66 ayak) uzağa yerleştiriniz.
2. Aletin tutamaklarını duvara paralel konumda hizalayınız.
3. Aleti çalıştırınız ve zemin üzerindeki referans noktasını (R) işaretleyiniz.
4. Dedektörün yardımıyla, duvarın alt kenarındaki (A) noktasını işaretleyiniz. (Orta hızı seçiniz).
5. Dedektör yardımıyla yakl. 10 m (33 ft) yükseklikteki (B) noktasını işaretleyiniz.
6. Aleti 180° döndürünüz ve zemin üzerindeki (R) referans noktasına ve duvardaki alt işaretleme noktasına (A) hizalayınız.
7. Dedektör yardımıyla yakl. 10 m (33 ayak) yükseklikteki (C) noktasını işaretleyiniz.



İşlemlerin doğru yapılması durumunda, on metre yükseklikte işaretlenen (B) ve (C) noktaları arasındaki yatay mesafe 2 mm'den küçük olmalıdır (10 m için) (33 ayak için 0,08 inç). Daha büyük sapmada: Kalibrasyon için aleti lütfen **Hilti** Servisi'ne gönderiniz.

7 Bakım, onarım, taşıma ve depolama

7.1 Temizlik ve kurutma

- ▶ Lazer çıkış camlarındaki tozu üfleyerek temizleyiniz.
- ▶ Lazer çıkış camlarına parmaklarınızla dokunmayınız.



- ▶ Aleti sadece temiz ve yumuşak bir bezle temizleyiniz. Gerekirse bezi biraz saf alkol veya su ile ıslatınız.



Çok sert temizlik malzemesi camı çizebilir ve aletin hassasiyetini olumsuz etkileyebilir. Saf alkol veya su dışında başka bir sıvı kullanılmamalıdır, bunların plastik parçaların içine sızarak zarar verme tehlikesi mevcuttur.

Ekipmanınızı sıcaklık sınırı değerini dikkate alarak kurutunuz.

7.2 Depolama

- ▶ Aleti ıslak yerlerde muhafaza etmeyiniz. Aleti depolamadan önce kurutunuz.
- ▶ Depolamadan önce aleti, taşıma çantasını ve aksesuarları temizleyiniz.
- ▶ Aleti uzun süreli depoladıktan sonra veya uzun süreli nakliye sonrası bir kontrol ölçümü uygulanmalıdır.
- ▶ Ekipmanınızın depolanması için geçerli sıcaklık sınırı değerlerine dikkat ediniz, özellikle ekipmanı aracınızın içinde muhafaza ederseniz bu çok önemlidir.

7.3 Lityum İyon akülerin bakımı

- ▶ **Aküler temiz, yağsız ve gressiz bir şekilde tutunuz. Silikon içerikli bakım malzemesi kullanmayınız.**
- ▶ Dış yüzeyini düzenli olarak hafif nemli bir temizlik bezi ile temizleyiniz.
- ▶ Nem almasını önleyiniz.
- ▶ Aküleri **Hilti** tarafından Lityum İyon aküler için izin verilen şarj cihazlarıyla şarj ediniz.

7.4 Taşıma

Lityum İyon akülerin taşıma, depolama ve kullanımına yönelik özel talimatları dikkate alınız.

Aleti gönderirken aküleri ve pilleri yalıtmanız veya aletten çıkartmanız gerekir. Boşalan piller/aküler alete zarar verebilir.

7.5 Hilti Ölçme Sistemleri Servisi

Hilti Ölçme Sistemleri Servisi aleti kontrol eder ve sapma varsa aletin teknik özelliklere uygun biçimde yeniden ayarlanması ve yeniden kontrol edilmesi işlemlerini yürütür. Kontrol anındaki teknik özelliklere uygunluk durumu, servis sertifikası ile yazılı olarak teyit edilir. Tavsiyemiz:

- Kullanıma göre uygun bir kontrol aralığı seçilmelidir.
- Alet olağanüstü yoğunlukta kullanıldıktan sonra veya önemli çalışmalardan önce ya da en azından yılda bir defa **Hilti Ölçme Sistemleri Servisi** tarafından kontrol edilmelidir.

Hilti Ölçme Sistemleri Servisi tarafından yapılan kontrol, kullanıcının aleti kullanmadan önce ve kullanım sırasında kontrol etmesi yükümlülüğünü ortadan kaldırmaz.

7.6 Ölçüm hassasiyetinin kontrol edilmesi

Teknik özelliklere uyabilmek için aletin düzenli olarak (en azından her büyük/ciddi ölçümden önce) kontrol edilmesi gerekir.

Alet yüksek bir yerden düştüğünde hala çalışıp çalışmadığı kontrol edilmelidir. Aşağıdaki koşullar sağlanıyorsa aletin sorunsuz çalıştığı söylenebilir:

- Düşme sırasında "Teknik Veriler" altında belirtilen düşme yüksekliği aşılmamış olmalıdır.
- Alet, düşmeden önce de sorunsuz şekilde çalışıyor olmalıdır.
- Alet, düşme sırasında mekanik olarak hasar görmemiş olmalıdır (örn. Penta prizma kırılması).
- Alet, çalıştırma sırasında bir döner lazer ışını oluşturmamalıdır.

8 Arıza durumunda yardım

Bu tabloda listelenmemiş veya kendi başınıza gidemediğiniz arızalarda lütfen yetkili **Hilti** Servisimiz ile irtibat kurunuz.

Arıza	Olası sebepler	Çözüm
Alet çalışmıyor.	Akü yerine tamamen takılmamış.	▶ Aküyü duylabilir bir çift klik sesi ile yerine oturtunuz.
	Akü deşarj olmuş.	▶ Aküyü değiştiriniz ve boş aküyü şarj ediniz.




Anıza	Olası sebepler	Çözüm
Akü normalden daha hızlı boşalıyor.	Çok düşük ortam sıcaklığı.	▶ Aküyü yavaşça ısıtarak oda sıcaklığına getiriniz.
Akü duyulabilir bir "klik" sesi ile yerine oturmuyor.	Akünün kilit tırnakları kirlenmiş.	▶ Kilit tırnaklarını temizleyiniz ve aküyü yeniden yerine oturtunuz.
Alette veya aküde yoğun ısı oluşumu.	Elektrik arızası	▶ Aleti hemen kapatınız, aküyü çıkartınız, gözleyiniz, soğumaya bırakınız ve Hilti servisi ile irtibat kurunuz.

9 İmha

İKAZ

Usulüne uygun olmayan imha nedeniyle yaralanma tehlikesi! Dışarı çıkan gaz ve sıvılar nedeniyle sağlık sorunları.

- ▶ Hasar görmüş aküleri hiç bir şekilde göndermeyiniz!
- ▶ Kısa devreleri önlemek için, akünün bağlantılarını iletken olmayan bir malzeme ile kapatınız.
- ▶ Aküleri, çocukların ellerine geçmeyecek şekilde imha ediniz.
- ▶ Aküyü size en yakın **Hilti Store**'da imha ediniz veya imha etmek için yetkili şirketinize başvurunuz.

 **Hilti** aletleri yüksek oranda geri dönüşümlü malzemelerden üretilmiştir. Geri dönüşüm için gerekli koşul, usulüne uygun malzeme ayrımıdır. Çoğu ülkede **Hilti** eski aletlerini yeniden değerlendirmek üzere geri alır. Bu konuda **Hilti** müşteri hizmetlerinden veya satış temsilcinizden bilgi alabilirsiniz.

Kullanılmış elektronik ve elektrikli el aletlerine ilişkin Avrupa Direktifi ve ulusal yasalardaki uyarlamalar çerçevesinde, kullanılmış elektrikli el aletleri ve aküler ayrı olarak toplanmalı ve çevreye zarar vermeden geri dönüşümleri sağlanmalıdır.



- ▶ Elektrikli ölçüm aletlerini çöpe atmayınız!

Çevreye verilecek zararları önlemek amacıyla aletleri, aküleri ve pilleri bulunduğunuz ülkeye özgü direktifler doğrultusunda imha etmeniz zorunludur.

10 Üretici garantisi


- ▶ Garanti koşullarına ilişkin sorularınız için lütfen yerel **Hilti** iş ortağınıza başvurunuz.



دليل الاستعمال الأصلي

1 بيانات بخصوص دليل الاستعمال

1.1 خاص بدليل الاستعمال هذا

- **تحذير!** قبل أن تستخدم المنتج، تأكد أنك قد قرأت واستوعبت دليل الاستعمال المرفق مع المنتج، بما في ذلك الإرشادات وتعليمات السلامة والتحذير والصور والمواصفات. تعرف بصفة خاصة على جميع الإرشادات وتعليمات السلامة والتحذير والصور والمواصفات وكذلك المكونات والوظائف. في حالة عدم مراعاة ذلك، يكون هناك خطر حدوث صعق كهربائي أو نشوب حريق و/أو وقوع إصابات بالغة. احتفظ بدليل الاستعمال شاملاً جميع الإرشادات وتعليمات السلامة والتحذير للاستخدام اللاحق.
- منتجات **HILTI** مصممة للمستخدمين المحترفين ويقتصر استعمالها وصيانتها وإصلاحها على الأشخاص المعتمدين والمدربين جيداً. هؤلاء الأشخاص يجب أن يكونوا قد تلقوا تدريباً خاصاً على الأخطار الطارئة. قد يتسبب الجهاز وأدواته المساعدة في حدوث أخطار إذا تم التعامل معها بشكل غير سليم فنياً من قبل أشخاص غير مدربين أو تم استخدامها بشكل غير مطابق للتعليمات.
- دليل الاستعمال المرفق يتطابق مع الوضع الحالي للتقنية وقت الطباعة. يمكنك دائماً العثور على الإصدار أونلاين على صفحة المنتج Hilti. ولهذا الغرض، اتبع الرابط أو كود QR في دليل الاستعمال هذا والمميز بالرمز .
- لا يجوز تسليم المنتج إلى أي شخص إلا مع دليل الاستعمال هذا.

2.1 شرح العلامات

1.2.1 إرشادات تحذيرية

تنبه الإرشادات التحذيرية إلى الأخطار الناشئة عند التعامل مع الجهاز. يتم استخدام الكلمات الدلالية التالية:



خطر

خطر!

◀ تشير لخطر مباشر يؤدي لإصابات جسدية خطيرة أو إلى الوفاة.



تحذير

تحذير!

◀ تشير لخطر محتمل قد يؤدي لإصابات جسدية خطيرة أو إلى الوفاة.







احترس:

احترس!

◀ تشير لموقف خطر محتمل يمكن أن يؤدي لإصابات جسدية أو أضرار مادية.

2.2.1 الرموز في المستند

يتم استخدام الرموز التالية في هذا المستند:

قبل الاستخدام اقرأ دليل الاستعمال	
إرشادات الاستخدام ومعلومات أخرى مفيدة	
التعامل مع مواد قابلة لإعادة التدوير	
لا تتخلص من الأجهزة الكهربائية البطاريات ضمن القمامة المنزلية	

3.2.1 الرموز في الصور

تستخدم الرموز التالية في الرسوم التوضيحية:

2	تشير هذه الأعداد إلى الصور المعنية بمطلع هذا الدليل
3	ترقيم الصور يمثل ترتيب خطوات العمل في الصور، وقد يختلف عن ترقيم خطوات العمل في النص



11	يتم استخدام أرقام المواضع في صورة العرض العام وهي تشير إلى أرقام تعليق الصورة في فصل عرض عام للمنتج
!	ينبغي أن تسترعي هذه العلامة اهتماما خاصا عند التعامل مع المنتج.

3.1 الرموز المرتبطة بالمنتج

1.3.1 الرموز على المنتج

قد تكون الرموز التالية مستخدمة على المنتج:

يدعم المنتج عملية نقل البيانات لاسلكياً، والتي تتوافق مع أجهزة آيفون وأندرويد.	
بطاريات أيونات الليثيوم Hilti المستخدمة من النوع. احرص على مراعاة التعليمات الواردة في الفصل الاستخدام المطابق للتعليمات.	
بطارية أيونات الليثيوم	Li-Ion
لا تستخدم البطارية أبداً كمطرقة.	
لا تدع البطارية تسقط. لا تستخدم بطارية تعرضت لصدمات أو أي نوع آخر من التلفيات.	

4.1 معلومات المنتج

منتجات **HILTI** مصممة للمستخدمين المحترفين ويقتصر استعمالها وصيانتها وإصلاحها على الأشخاص المعتمدين والمدربين جيداً. هؤلاء الأشخاص يجب أن يكونوا قد تلقوا تدريباً خاصاً على الأخطار الطارئة. قد يتسبب الجهاز وأدواته المساعدة في حدوث أخطار إذا تم التعامل معها بشكل غير سليم فنياً من قبل أشخاص غير مدربين أو تم استخدامها بشكل غير مطابق للتعليمات. يوجد مسمى الطراز والرقم المسلسل على لوحة الصنع.

◀ انقل الرقم المسلسل في الجدول التالي. ستحتاج إلى بيانات المنتج في حالة الاستفسارات الموجهة إلى ممثلينا أو مركز الخدمة.

بيانات المنتج

جهاز الليزر الدوار	PR 3-HVSG A12
الجيل	02
الرقم المسلسل	

5.1 بيان المطابقة

نفر على مسؤوليتنا الفردية بأن المنتج المشروع هنا متوافقة مع التشريعات والمواصفات المعمول بها. تجد صورة لبيان المطابقة في نهاية هذا المستند.

المستندات الفنية محفوظة هنا:

Hilti Entwicklungsgesellschaft mbH | Zulassung Geräte | Hiltistraße 6 | 86916 Kaufering, DE

2 السلامة

1.2 إرشادات السلامة

1.1.2 تعليمات أساسية للسلامة

احرص على قراءة جميع إرشادات السلامة والتعليمات. أي تقصير أو إهمال في تطبيق إرشادات السلامة والتعليمات قد يتسبب في حدوث صدمة كهربائية أو حريق و/أو إصابات خطيرة.

احتفظ بجميع مستندات إرشادات السلامة والتعليمات لاستخدامها عند الحاجة إليها فيما بعد. يقصد بمصطلح «الأداة الكهربائية» الوارد ذكره في إرشادات السلامة الأدوات الكهربائية المشغلة بالكهرباء (باستخدام كابل الكهرباء) وكذلك الأدوات الكهربائية المشغلة بالبطاريات (بدون كابل الكهرباء).



2.1.2 إجراءات السلامة العامة

- كن يقظا وانتبه لما تفعل وتعامل مع الأداة الكهربائية بتعقل عند العمل بها. لا تستخدم الأداة الكهربائية عندما تكون متعبا أو تحت تأثير المخدرات أو الكحوليات أو العقاقير. فقد يتسبب عدم الانتباه للحظة واحدة أثناء الاستخدام في حدوث إصابات بالغة.
- لا تقم بإيقاف فعالية أي من تجهيزات السلامة ولا تخلع أيًا من لوحات التنبيه والتحذير.
- احفظ أجهزة الليزر بعيدا عن متناول الأطفال.
- في حالة فك الجهاز بطريقة غير سليمة قد تصدر منه أشعة ليزر تتخطى الفئة 2. احرص على إصلاح الجهاز بمعرفة مراكز خدمة Hilti.
- ينبغي أن تمر أشعة الليزر أعلى أو أسفل مستوى العينين بمسافة كبيرة.
- احرص على مراعاة المؤثرات المحيطة. لا تستخدم الجهاز في مكان مُعرض لخطر الحريق أو الانفجار.
- إرشاد طبقاً للفقرة 15.21 من لوائح لجنة الاتصالات الفيدرالية FCC: التغييرات أو التعديلات التي لم يتم التصريح بها صراحة من Hilti يمكن أن تقيد حق المستخدم في تشغيل الجهاز.
- في حالة تعرض الجهاز للسقوط أو لأية مؤثرات ميكانيكية أخرى يجب مراجعة مدى دقته.
- في حالة وضع الجهاز في مكان دافئ بسبب البرد القارس أو العكس، ينبغي قبل الاستخدام مواءمة الجهاز مع درجة الحرارة المحيطة.
- في حالة استخدام الجهاز مع مهايئات وملحقات تكميلية تأكد أن الجهاز مثبت بشكل جيد.
- لتجنب القياسات الخاطئة يجب المحافظة على نظافة عدسات خروج الليزر.
- على الرغم من تصميم الجهاز للعمل في بيئة أعمال البناء القاسية إلا أنه ينبغي التعامل معه بحرص وعناية، شأنه في ذلك شأن الأجهزة البصرية والكهربائية الأخرى (المنظار الثنائي، النظارة، آلة التصوير).
- على الرغم من تصميم الجهاز ضد تسرب الرطوبة إليه إلا أنه ينبغي تجفيفه من خلال المسح قبل وضعه في صندوق النقل.
- افحص الجهاز قبل إجراء القياسات الهامة.
- احرص على مراجعة مدى دقة الجهاز أكثر من مرة أثناء الاستخدام.
- اعمل على توفير إضاءة جيدة لنطاق العمل.
- تجنب ملامسة أطراف التوصيل.
- اعتن بالجهاز بدقة. تفحص الأجزاء المتحركة بالجهاز من حيث أداؤها لوظيفتها بدون مشاكل وعدم انحصارها وتفحص من حيث وجود أجزاء مكسورة أو متعرضة للضرر يمكن أن تؤثر سلبا على وظيفة الجهاز. احرص على إصلاح الأجزاء التالفة قبل استخدام الجهاز. فالكثير من الحوادث مصدرها الأجهزة التي تم صيانتها بشكل سيئ.

3.1.2 تجهيز أماكن العمل بشكل مطابق للتعليمات

- قم بتأمين موقع القياس. تأكد عند تركيب الجهاز HVSG A12-PR 3 من عدم تصويب الشعاع باتجاه أشخاص آخرين أو باتجاهك أنت.
- لدى إجراء أعمال أثناء الوقوف على سلم تجنب الوقوف بشكل غير طبيعي. وحرص على أن تكون واقفا بأمان وحافظ على توازنك في جميع الأوقات.
- قد يؤدي إجراء القياس بالقرب من الأشياء العاكسة أو الأسطح الخارجية في حدوث أخطاء في عملية القياس بسبب ألواح الزجاج أو الغامات المشابهة.
- احرص على نصب الجهاز فوق قاعدة مستوية وثابتة (خالية من الاهتزازات!).
- احرص على استخدام الجهاز داخل حدود العمل المحددة.
- استخدم الجهاز والملحقات التكميلية وأدوات العمل وخلافه طبقا لهذه التعليمات وبالطريقة المقررة لهذا النوع خصيصا من الأجهزة. احرص في هذه الأثناء على مراعاة اشتراطات العمل والمهمة المراد تنفيذها. استخدام الأجهزة في استخدامات أخرى غير المقررة لها يمكن أن يؤدي لمواقف خطيرة.
- لا يسمح بوضع شواخص القياس بالقرب من كابلات الجهد العالي.
- تأكد من عدم تشغيل جهاز HVSG A12-PR 3 آخر في النطاق المحيط. فالأشعة تحت الحمراء يمكن أن تؤثر على جهازك. راجع التجهيزات من وقت لآخر.

4.1.2 التوافق الكهرومغناطيسي

- على الرغم من استيفاء الجهاز للمتطلبات الصارمة الواردة في المواصفات المعنية، لا تستبعد Hilti احتمالية حدوث ما يلي:
- قد يتعرض الجهاز للتشويش إثر تعرضه لإشعاع قوي مما قد يؤدي لتعطله عن العمل.
- في مثل هذه الحالات أو في حالات الشك الأخرى ينبغي القيام بقياسات اختبارية.



- قد يقوم الجهاز بالتشويش على أجهزة أخرى (مثل تجهيزات الملاحة الموجودة في الطائرات).

فقط لكوريا:

يعتبر هذا الجهاز مناسباً للموجات الكهرومغناطيسية الناشئة في نطاق المنزل (الفئة B). وهو في الأساس مخصص للاستخدامات التي تجرى في نطاق المنزل، كما يمكن استخدامه في نطاقات أخرى.

5.1.2 تصنيف الليزر لأجهزة الليزر من الفئة 2

الجهاز مطابق لفئة الليزر 2 حسب المواصفة EN60825-1:2007 / IEC60825-1:2007. يُسمح باستخدام هذه الأجهزة بدون اتخاذ أية إجراءات حماية إضافية.

⚠️ احترس:

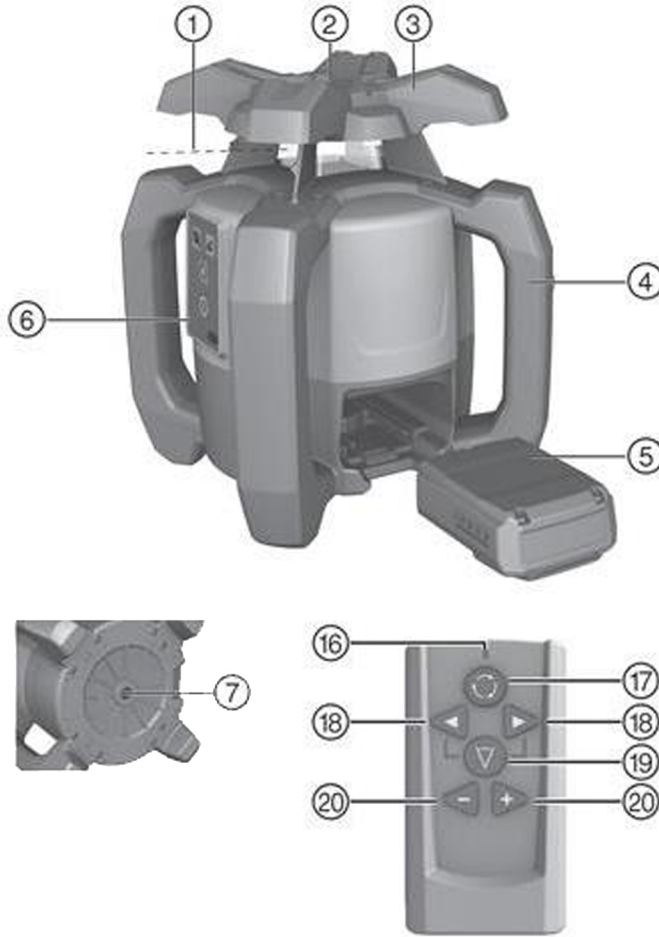
خطر الإصابة! لا تسلط شعاع الليزر باتجاه الأشخاص.

- لا تنظر أبداً في مصدر ضوء الليزر بشكل مباشر. في حالة الاتصال البصري المباشر أغلق عينيك وحرك رأسك بعيداً عن نطاق الشعاع.

6.1.2 استخدام الأجهزة العاملة بالبطاريات بعناية

- أبعد البطاريات عن النار ودرجات الحرارة المرتفعة وأشعة الشمس المباشرة. حيث ينشأ خطر الانفجار.
- لا يجوز تفكيك البطاريات أو سحقها أو وضعها في درجة حرارة أعلى من 80°م (176°ف) أو حرقها. وإلا فإن ذلك يشكل خطراً وقوع حريق أو انفجار أو اكتواء.
- لا تعرض البطارية لصدمات ميكانيكية عنيفة ولا تلق بها.
- لا يجوز أن تصل أيدي الأطفال إلى البطاريات.
- تجنب تسرب الرطوبة إليها. قد تسبب الرطوبة المتسربة في حدوث قفلة كهربائية تؤدي إلى الإصابة بحروق أو اشتعال حريق.
- عند الاستخدام بشكل خاطئ يمكن أن يتسرب سائل من البطارية. تجنب ملامسته. اشطفه بالماء في حالة ملامسته عن طريق الخطأ. إذا وصل السائل للعينين، فتوجه للطبيب علاوة على ذلك. السائل المتسرب يمكن أن يؤدي لتبعية البشرة أو حدوث حروق.
- اقتصر على استخدام البطاريات المصرح بها للجهاز المعني. استخدام بطاريات من نوع آخر أو استخدام البطاريات لأغراض أخرى غير المخصصة لها ينتج عنه خطر وقوع حريق وانفجار.
- قم بتخزين البطارية في مكان بارد وجاف قدر الإمكان. لا تقم بتخزين البطارية أبداً تحت أشعة الشمس أو على أجهزة التدفئة أو خلف النوافذ الزجاجية.
- حافظ على البطارية غير المستخدمة أو جهاز الشحن بعيداً عن مشابك الورق وقطع النقود المعدنية والمفاتيح والمسامير والبراغي أو الأشياء المعدنية الصغيرة الأخرى التي يمكن أن تتسبب في توصيل أطراف توصيل البطارية أو أطراف توصيل الشحن ببعضها. حدوث قفلة كهربائية بين أطراف توصيل البطارية أو أطراف توصيل جهاز الشحن يمكن أن ينتج عنه الإصابة بحروق أو نشوب حريق.
- لا يجوز شحن أو مواصلة استخدام البطاريات التالفة (مثل البطاريات التي بها شروخ أو بها أجزاء مكسورة أو أطراف توصيلها مثنية أو مرتدة و/أو مخلوطة).
- لا تشحن البطارية إلا في أجهزة شحن موصى بها من قبل الجبة الصانعة. بالنسبة لجهاز الشحن المناسب لنوع معين من البطاريات، ينشأ خطر الحريق عند استخدامه مع بطاريات أخرى.
- تراعى التعليمات الخاصة لنقل وتخزين وتشغيل بطاريات أيونات الليثيوم.
- يجب عزل البطاريات أو خلعها من الجهاز عند إرساله. حدوث تسرب من البطاريات قد يلحق الضرر بالجهاز.
- إذا كانت البطارية غير المشغلة ساخنة للغاية بشكل ملحوظ، فقد تتعرض البطارية أو نظام الجهاز والبطارية للتلف. احرص على وضع الجهاز في مكان غير قابل للاشتعال وعلى مسافة كافية من الخامات القابلة للاشتعال، وحيث يمكن مراقبته، واتركه يبرد.





- ④ بطارية أيونات الليثيوم
- ⑤ نطاق الاستعمال
- ⑥ قاعدة ارتكاز بقلاووظ 5/8 بوصة

- ① شعاع الليزر (مستوى الدوران)
- ② الشعاع الاسترشادي 90°
- ③ المقبض

2.1.3 نطاق الاستعمال PR 3-HVSG A12

- ⑪ لمبة LED: زاوية الميل
- ⑫ الزن: زاوية الميل
- ⑬ الزن: سرعة الدوران

- ⑧ لمبة LED: ضبط الاستواء الأوتوماتيكي
- ⑨ الزن: إيقاف فعالية التحذير من الصدمات
- ⑩ لمبة LED: إيقاف فعالية التحذير من الصدمات



3.1.3 جهاز التشغيل عن بعد PRA 2
شرح العناصر

- 16 لمبة LED: تم إرسال الأمر
 17 الزر: سرعة الدوران
 18 الزر: اتجاه الخط (يسارا/ يمينا)
 19 الزر: الوظيفة الخطية
 20 أزرار المؤازرة (+/-)

2.3 الاستخدام المطابق للتعليمات

الجهاز الموصوف هو جهاز ليزر دوّار يصدر شعاع ليزر دوّار أخضر ومرئي وشعاع استرشادي متمرك بزواوية 90°. يمكن استخدام جهاز الليزر الدوّار بشكل رأسي وأفقي ومائل. الجهاز مخصص لحساب المناسيب الأفقية بالإضافة إلى المستويات الرأسية والمائلة والزوايا القائمة ونقلها / مراجعتها. ومن أمثلة الاستخدام نقل رسوم القياس والارتفاع، تحديد الزوايا القائمة مع الجدران، المحاذاة الرأسية على نقاط مرجعية أو إنشاء مستويات مائلة.

- ◀ اقتصر على استخدام بطارية أيونات الليثيوم HiltiB 12/2.6 أو B 12-30 لهذا المنتج.
- ◀ اقتصر على استخدام جهاز الشحن Hilti C 412-50 لهذا المنتج.

3.3 الخصائص

باستخدام الجهاز يستطيع شخص واحد ضبط استواء أي مستوى بسرعة وبدقة عالية. توجد 4 سرعات دوران مختلفة (0 و 90 و 300 و 600 لفة/دقيقة). تبلغ سرعة الدوران المضبوطة مسبقا 300 لفة/دقيقة.

يشتمل الجهاز على مبيّنات حالة التشغيل التالية: لمبة LED لضبط الاستواء الأوتوماتيكي، لمبة LED لزواوية الميل ولمبة LED للتحذير من الصدمات أثناء ضبط الاستواء الأوتوماتيكي لاتجاه أو اتجاهين يراقب نظام المؤازرة المفاظ على درجة الدقة المدددة. يتوقف الجهاز أوتوماتيكيًا، إذا لم يتم ضبط الاستواء (الجهاز خارج نطاق ضبط الاستواء أو حدوث إعاقة ميكانيكية) أو إذا اختلف وضع الجهاز (تعرض للاهتزاز أو الارتطام). بعد التوقف تتوقف وظيفة الدوران وتومض جميع لمبات LED.

تبعًا لمسافة العمل وشدة الإضاءة المحيطة قد تكون درجة وضوح شعاع الليزر محدودة. يمكن باستخدام لوحة التصويب تمسين درجة الوضوح. في حالة انخفاض درجة وضوح شعاع الليزر بسبب أشعة الشمس مثلاً، ينصح باستخدام مستقبل الليزر (ملحق تكميلي).

ضبط الاستواء

تتم المحاذاة (±5°) على مستوى أفقي غير مائل أوتوماتيكيًا بعد تشغيل الجهاز عبر محركي سيرفو مركبين بالجهاز. وتشير لمبات LED إلى حالة التشغيل المعنية. يمكن نصب الجهاز على الأرض مباشرة أو على حامل ثلاثي أو بعوامل ملائمة.

يتم ضبط الاستواء على المستوى العمودي أوتوماتيكيًا. ويمكن باستخدام الأزرار +/- بجهاز التشغيل عن بعد PRA 2 محاذاة (تدوير) المستوى الرأسي يدويًا.

يمكن ضبط الميل يدويًا في طريقة الميل بواسطة جهاز التشغيل عن بعد PRA 2 حتى قيمة ± 5°. وبدلاً عن ذلك يمكن أيضاً استخدام مهايئ الميل في طريقة الميل لعمل ميل يصل إلى 60%.

في حالة خروج الجهاز من المسار أثناء التشغيل (تعرض للاهتزاز / الارتطام)، يتحول الجهاز بمساعدة وظيفة التحذير من الصدمات المددجة إلى طريقة التحذير (فعالة بدءاً من ثاني دقيقة بعد ضبط الاستواء). تومض جميع لمبات LED، يتوقف الرأس عن الدوران والليزر مطفاً.

الدمج مع أجهزة أخرى

باستخدام جهاز التشغيل عن بعد PRA 2 ، يمكن استعمال جهاز الليزر الدوّار عبر مسافات حرة بطريقة مريحة. وبالإضافة إلى ذلك يمكن بواسطة وظيفة التشغيل عن بعد توجيه شعاع الليزر.

يمكن استعمال مستقبل الليزر Hilti لغرض إظهار شعاع الليزر على مسافات كبيرة. يمكنك الإطلاع على المعلومات التفصيلية في دليل استعمال مستقبل الليزر.

4.3 لمبات البيان LED

جهاز الليزر الدوّار مزود بلمبات البيان LED.

الحالة	الاستعمال
تومض جميع لمبات LED	تعرض الجهاز للارتطام أو فقد الاستواء أو به خلل آخر.



الحالة	الاستعمال
لمبة LED للضبط الأوتوماتيكي للاستواء تومض باللون الأخضر	الجهاز في مرحلة ضبط الاستواء.
لمبة LED للضبط الأوتوماتيكي للاستواء تضيء باللون الأخضر باستمرار	تم ضبط استواء الجهاز / مشغل طبقا للتعليمات.
لمبة LED للتنذير من الصدمات تضيء باللون البرتقالي باستمرار	تنذير الصدمات غير فعال.
لمبة LED لبيان الميل تضيء باللون البرتقالي باستمرار	طريقة الميل فعالة.

5.3 بيان حالة شحن بطارية أيونات الليثيوم

يوجد في بطارية أيونات الليثيوم بيان لحالة الشحن.

الحالة	الاستعمال
تضيء أربع لمبات LED.	حالة الشحن: 75 % إلى 100 %
تضيء ثلاث لمبات LED.	حالة الشحن: 50 % إلى 75 %
تضيء اثنتان من لمبات LED.	حالة الشحن: 25 % إلى 50 %
لمبة LED واحدة تضيء.	حالة الشحن: 10 % إلى 25 %
لمبة LED واحدة تومض.	حالة الشحن: > 10 %

i أثناء العمل تظهر حالة شحن البطارية في نطاق استعمال الجهاز. في حالة السكون يمكن إظهار حالة الشحن بالنقر على زر التحرير. أثناء عملية الشحن يتم عرض حالة الشحن من خلال البيان الموجود بالبطارية (انظر دليل استعمال جهاز الشحن).

6.3 مجموعة التجهيزات الموردة

جهاز الليزر الدوار PR 3-HVSG A12، جهاز التشغيل عن بعد PRA 2، لوحة التصويب PRA 54، بطاريتان (بطاريات AA)، شهادتان من الجهة الصانعة، دليل الاستعمال.

i تجد المزيد من منتجات النظام المسموع بها للمنتج الخاص بك لدى متجر **Hilti Store** أو على موقع الإنترنت: www.hilti.group

4 المواصفات الفنية

الجهد الاسمي	10.8 فلت
التيار الاسمي	160 مللي أمبير
أقصى ارتفاع للاستخدام أعلى الارتفاع المرجعي	2,000 م (6,561 قدم — 8 بوصة)
الرطوبة النسبية القصوى	90 %
مدى الاستقبال (القطر)	150 م
مدى الاتصال (PRA 2)	30 م
الدقة من مسافة 10 متر (في ظل ظروف محيطية) قياسية (MIL-STD-810G)	± 1 مم
فئة الليزر	مرئي، فئة الليزر 2، 510-530 نيوتن متر/4.85 > P0 مللي واط ≤ 300 / دقيقة، EN 60825-1:2007، IEC 60825-1:2007
درجة حرارة التشغيل	10° م ... 50° م
درجة حرارة التخزين	25° م ... 63° م
الوزن بما في ذلك البطارية B 12-30 أو B222.6	2.4 كجم



1.5 م	ارتفاع اختبار السقوط (في ظل ظروف محيطية قياسية MIL-STD-810G)
5/8 بوصة	قلاووظ الحامل ثلاثي القوائم
IP 56	فئة الحماية طبقاً للمواصفة IEC 60529

5 التشغيل

1.5 الاستخدام الصحيح لليزر والبطارية

- ◀ الصورة 1: العمل بالطريقة الأفقية.
- ◀ الصورة 2: في طريقة الميل ينبغي رفع جهاز الليزر على جانب نطاق الاستعمال.
- ◀ الصورة 3: التخزين أو النقل في مكان مائل.
- ◀ ثبت جهاز الليزر بحيث لا يشير مبيت البطارية أو البطارية إلى أعلى حتى لا تتسرب الرطوبة إليه.



نوع البطارية B12 غير مصنفة في فئات الحماية. أبعد البطارية عن الأمطار والبلل. طبقاً لمواصفات Hilti لا يجوز استخدام البطارية إلا مع المنتج المعني، ويجب وضعها لهذا الغرض في مبيت البطارية.

2.5 تركيب البطارية

⚠️ احترس:

- ◀ خطر الإصابة بتشغيل الجهاز بشكل غير مقصود.
- ◀ تأكد قبل إدخال البطاريات أن الجهاز مطفأً.

⚠️ احترس:

- ◀ خطر كهربائي. قد يتسبب اتساع أطراف التوصيل في حدوث قفلة كهربائية.
- ◀ قبل تركيب البطارية، تأكد أن أطراف توصيل البطارية وأطراف التوصيل في الجهاز خالية من أية أجسام غريبة.

⚠️ احترس:

- ◀ خطر الإصابة. إذا لم تكن البطارية مثبتة بشكل سليم فمن المحتمل أن تسقط من موضعها.
- ◀ وتأكد من إحكام تثبيت البطارية في الجهاز، حتى لا تسقط وتعرض الآخرين للخطر.

- ◀ قم بتركيب البطارية وتأكد من إحكام تثبيتها في الجهاز.

3.5 خلع البطارية

- ◀ أخرج البطارية.

6 الاستعمال

1.6 تشغيل الجهاز

- ◀ اضغط على زر "التشغيل/الإيقاف".



بعد التشغيل يبدأ الجهاز في ضبط الاستواء الأوتوماتيكي. افحص دقة الجهاز قبل القياسات الهامة، خاصة بعد سقوطه على الأرض أو تعرضه لتأثيرات ميكانيكية غير معتادة.

2.6 العمل على المستوى الأفقي

1. قم بتركيب الجهاز على حامل.



يمكن استخدام حامل تثبيت جداري أو حامل ثلاثي القوائم كوسيلة حمل. يجب ألا تتعدى زاوية ميل سطح الارتكاز $\pm 5^\circ$.



2. اضغط على زر «التشغيل/الإيقاف». تومض لمبة LED لضبط الاستواء الأوتوماتيكي باللون الأخضر.

بمجرد الوصول إلى ضبط الاستواء يعمل شعاع الليزر ويدور وتضيء لمبة LED الخاصة بضبط الاستواء الأوتوماتيكي بشكل مستمر.

3.6 العمل في المستوى الرأسي

1. قم بوضع أو تركيب الجهاز بحيث يكون نطاق استعمال الجهاز موجهاً إلى أعلى.

لكي يمكن الحفاظ على الدقة المقررة ينبغي وضع الجهاز على مساحة مستوية أو تركيبه على حامل ثلاثي بالدقة المطلوبة أو على ملحق تكميلي آخر.

2. قم بمحاذاة المحور الرأسي للجهاز باستخدام سن التسديد في الاتجاه المرغوب.

بمجرد الوصول إلى ضبط الاستواء يعمل شعاع الليزر ويدور وتضيء لمبة LED الخاصة بضبط الاستواء الأوتوماتيكي بشكل مستمر.

3. اضغط على زر «التشغيل/الإيقاف». بعد الانتهاء من ضبط الاستواء يبدأ الجهاز في تشغيل الليزر بشعاع دوار ثابت مع إسقاطه رأسياً إلى أسفل. هذه النقطة المجسمة هي النقطة الاسترشادية والغرض منها هو ضبط وضعية الجهاز.

4. اضغط على الزر سرعة الدوران لرؤية الشعاع في مستوى الدوران بالكامل.

5. باستخدام الأزرار + و - بوحدة التشغيل عن بعد يمكنك تحريك الشعاع الدوار إلى اليسار واليمين بزاوية تصل إلى 5°.

4.6 الميل

للحصول على نتائج مثالية فإنه من المفيد، ضبط توازن جهاز PR 3-HVSG A12. والأفضل أن يتم ذلك باختيار نقطتين كل منهما على مسافة 5 متر (16 قدم) على يسار ويمين الجهاز، وبالتوازي مع محور الجهاز. ضع علامة على ارتفاع مستوى ضبط الاستواء الأفقي، ثم ضع علامة على الارتفاعات مرة أخرى طبقاً للميل. ولا يعتبر توازن الجهاز مثالياً إلا عندما تتطابق هذه الارتفاعات مع النقطتين.

1.4.6 ضبط درجة الميل يدويًا

1. قم بتركيب الجهاز تبعاً لنوع الاستخدام، مثلاً على حامل ثلاثي القوائم.

2. اضبط وضع جهاز الليزر الدوار على الحافة العلوية أو السفلية لمستوى الميل.

3. قف خلف الجهاز مع توجيه النظر إلى نطاق الاستخدام.

4. قم بمحاذاة الجهاز بشكل أولي بواسطة حز التصويب برأس الجهاز بحيث يوازي مستوى الميل.

5. قم بتشغيل الجهاز واضغط على زر طريقة الميل. تضيء لمبة LED الخاصة بطريقة الميل. بمجرد الوصول إلى ضبط الاستواء يعمل شعاع الليزر.

6. اضغط على الزر + أو - بوحدة التشغيل عن بعد، لضبط مستوى الميل. وبدلاً من ذلك يمكن أيضاً استخدام مهايئ الميل (ملحق تكميلي).

في حالة الضبط اليدوي للميل، يقوم جهاز الليزر الدوار بضبط مستوى الليزر مرة واحدة ثم يقوم بتثبيتته بعد ذلك. يُراعى أن جهاز الليزر الدوار هذا لا يقوم بمعادلة مستوى الليزر المائل تجاه أي تفاوت مُحتمل، والذي قد ينشأ نتيجة تغيير الظروف المحيطة و/أو إزاحة موضع التثبيت. يمكن أن تؤثر الاهتزازات والتغيرات في درجة الحرارة والمؤثرات الأخرى التي قد تطرأ خلال اليوم على وضع مستوى الليزر.

7. الرجوع إلى الطريقة القياسية يجب عليك إيقاف الجهاز ثم إعادة تشغيله من جديد.

2.4.6 ضبط الميل باستخدام مهايئ الميل

1. قم بتركيب مهايئ ميل مناسب على حامل ثلاثي القوائم.

2. اضبط وضع الحامل ثلاثي القوائم على الحافة العلوية أو السفلية لمستوى الميل.

3. قم بتركيب جهاز الليزر الدوار على مهايئ الميل وقم بتوجيه الجهاز مع مهايئ الميل باستخدام علامة التصويب في رأس الجهاز PR 3-HVSG A12 بشكل مواز لمستوى الميل.

4. تأكد أن مهايئ الميل في الوضع الأصلي (°0).

ينبغي أن يتواجد نطاق استخدام PR 3-HVSG A12 على الجانب المقابل لاتجاه الميل.



5. قم بتشغيل الجهاز.
6. اضغط على زر طريقة الميل. عندئذ تضيء في نطاق استعمال الليزر الدوار لمبة LED الخاصة بطريقة الميل. ويبدأ الجهاز في ضبط الاستواء أو توماتيكيا. بمجرد انتهاء ذلك يتم تشغيل الليزر ويبدأ في الدوران.
7. اضبط زاوية الميل المرغوبة عن طريق مهايئ الميل.

i في حالة الضبط الهدوي للميل، يقوم جهاز الليزر الدوار بضبط مستوى الليزر مرة واحدة ثم يقوم بتثبيته بعد ذلك. يُراعى أن جهاز الليزر الدوار هذا لا يقوم بمعادلة مستوى الليزر المائل تجاه أي تفاوت مُحتمل، والذي قد ينشأ نتيجة تغيير الظروف المحيطة و/أو إزاحة موضع التثبيت. يمكن أن تؤثر الاهتزازات والتغيرات في درجة الحرارة والمؤثرات الأخرى التي قد تطرأ خلال اليوم على وضع مستوى الليزر.

5.6 العمل بوحدة التشغيل عن بعد PRA 2

تسبل وحدة التشغيل عن بعد PRA 2 العمل بجهاز الليزر الدوار وتعد ضرورية لاستخدام بعض وظائف الجهاز.

اختيار سرعة الدوران

بعد تشغيل الجهاز يبدأ دائما جهاز الليزر الدوار في العمل بسرعة 300 لفة في الدقيقة. سرعة الدوران المنخفضة يمكن أن تجعل شعاع الليزر أكثر سطوعا. أما سرعة الدوران العالية فتجعل شعاع الليزر أكثر استقرارا. تتغير السرعة بتكرار الضغط على زر سرعة الدوران.

اختيار الوظيفة الخطية

بالضغط على زر وظيفة خط الليزر بوحدة التشغيل عن بعد يمكن تقليص نطاق شعاع الليزر حتى يصير خطا. وبذلك يظهر شعاع الليزر بشكل أكثر سطوعا بدرجة كبيرة. بالضغط عدة مرات على زر وظيفة خط الليزر يمكن تغيير طول خط الليزر. يرتبط طول الخط بعدد الليزر عن الجدار/السطح. يمكن تحريك خط الليزر كما ترغب عن طريق أزرار الاتجاه (يمين/يسار).

6.6 إيقاف فعالية ووظيفة تحذير الصدمات

1. قم بتشغيل الجهاز.
2. اضغط على زر «إيقاف فعالية ووظيفة تحذير الصدمات». الإضاءة المستمرة للمبة LED الخاصة بإيقاف فعالية ووظيفة تحذير الصدمات تشير إلى أن الوظيفة غير فعالة.
3. للرجوع إلى الطريقة القياسية قم بإيقاف الجهاز وتشغيله مجددا.

7.6 فحص المحور الأفقي الرئيسي والعرضي

1. انصب الحامل ثلاثي القوائم على بعد 20 م (66 قدم) تقريبا من أحد الجدران واعمل على موازنة رأسه أفقيا بواسطة ميزان ماء.
2. ركب الجهاز على الحامل ثلاثي القوائم وقم بمحاذاة رأس الجهاز على الجدار بواسطة حز التصويب.
3. بواسطة مستقبل الليزر قم بالتقاط نقطة (نقطة 1) وقم بتحديد لها على الجدار.
4. أدر الجهاز حول محوره في اتجاه عقارب الساعة بزاوية 90°. وأثناء ذلك لا يجوز تغيير ارتفاع الجهاز.
5. بواسطة مستقبل الليزر قم بالتقاط نقطة ثانية (نقطة 2) وقم بتحديد لها على الجدار.
6. كرر الخطوات السابقتين مرتين وقم بالتقاط النقطة 3 و 4 بواسطة مستقبل الليزر وقم بتحديدهما على الجدار.

i في حالة التنفيذ بشكل دقيق من المفترض أن تكون المسافة الرأسية بين النقطتين المحددتين 1 و 3 (المحور الرئيسي) أو النقطتين 2 و 4 (المحور العرضي) > 3 مم لكل منها (مع مسافة 20 متر (0,12 بوصة مع 66 قدم). في حالة وجود تفاوت كبير، أرسل الجهاز إلى مركز خدمة Hilti لمعايرته.

8.6 فحص المحور الرأسي

1. انصب الجهاز على أرضية مستوية قدر الإمكان على مسافة 20 متر (66 قدم) من جدار ما.
2. قم بمحاذاة مقابض الجهاز مع الجدار.
3. قم بتشغيل الجهاز وقم بتحديد النقطة المرجعية (R) على الأرض.
4. باستخدام المستقبل قم بتمييز النقطة (A) في النهاية السفلية للجدار. (اختر سرعة متوسطة).
5. بواسطة مستقبل الليزر قد بتحديد النقطة (B) على ارتفاع 10 متر (33 قدم) تقريبا.
6. أدر الجهاز بزاوية 180° وقم بمحاذاة مع النقطة المرجعية (R) على الأرض ومع نقطة التحديد السفلية (A) على الجدار.



7. بواسطة مستقبل الليزر قد بتحديد النقطة (C) على ارتفاع 10 متر (33 قدم) تقريبا.

في حالة التنفيذ بشكل دقيق من المفترض أن تكون المسافة الأفقية بين النقطتين المحددين على ارتفاع عشرة أمتار (B) و (C) أصغر من 2 مم (مع مسافة 10 متر) (0,08 بوصة مع 33 قدم). في حالة التفاوت الكبير: يرجى إرسال الجهاز إلى مركز خدمة Hilti لمعايرته.

7 العناية، الصيانة، النقل والتخزين

1.7 التنظيف والتجفيف

- ◀ تخلص من الغبار المتراكم على عدسة خروج الليزر.
- ◀ لا تلمس عدسة خروج الليزر بأصابعك.
- ◀ اقتصر على تنظيف الجهاز باستخدام قطعة قماش نظيفة ولينة. قم بترطيب قطعة القماش عند اللزوم بقليل من الكحول النقي أو ببعض الماء.

مادة التنظيف شديدة الخشونة قد تتسبب في خدش الزجاج والتأثير بشكل سلبي على دقة الجهاز. لا تستخدم أية سوائل أخرى باستثناء كحول نقي أو ماء، لأنها قد تضر بالأجزاء البلاستيكية. قم بتجفيف الجهاز مع الحفاظ على القيم الحدية لدرجات الحرارة.

2.7 التخزين

- ◀ لا تقم بتخزين الجهاز وهو مبتل. احرص على تجفيفه قبل حفظه وتخزينه.
- ◀ احرص دائما قبل التخزين على تجفيف الجهاز وعبوة النقل والملحقات التكميلية.
- ◀ بعد تخزين أو نقل الجهاز لفترة طويلة نسبيا قم بعمل قياس اختياري قبل الاستخدام.
- ◀ يجب مراعاة القيم الحدية لدرجات الحرارة عند تخزين جهازك، ولاسيما عند الاحتفاظ بجهازك داخل السيارة.

3.7 العناية ببطاريات أيونات الليثيوم

- ◀ حافظ على البطارية جافة ونظيفة وخالية من الزيت والشحم. لا تستخدم مواد عناية محتوية على سيليكون.
- ◀ قم بتنظيف البطارية من الخارج بصفة دورية باستخدام فوطة مبللة بعض الشيء.
- ◀ تجنب تسرب الرطوبة إليها.
- ◀ قم بشحن البطاريات باستخدام أجهزة الشحن المسموح بها من Hilti لبطاريات أيونات الليثيوم.

4.7 النقل

تراجع التعليمات الخاصة لنقل وتخزين وتشغيل بطاريات أيونات الليثيوم. لإرسال الجهاز يجب أن تعزل البطاريات أو تفلحها من الجهاز. فمن الممكن أن يلحق الضرر بالجهاز في حالة تسرب سائل من البطاريات.

5.7 خدمة Hilti لتقنيات القياس

يقوم مركز خدمة Hilti لتقنيات القياس بعملية الفحص، وعند وجود تفاوت، يقوم باستعادة التطابق مع مواصفات الجهاز وإعادة الاختبار. يتم تأكيد التطابق مع المواصفات وقت الفحص بشكل مكتوب عن طريق إثبات ذلك في شهادة الخدمة. ينصح بالآتي:

- اختيار موعد فحص مناسب طبقا للاستخدام.
 - يجب فحص الجهاز عن طريق خدمة Hilti بعد الاستخدام غير الاعتيادي للجهاز، قبل الأعمال الهامة أو على الأقل سنويا.
- فحص الجهاز عن طريق خدمة Hilti لتقنيات القياس لا يعفي المستخدم من ضرورة فحص الجهاز قبل وأثناء الاستخدام.

6.7 فحص دقة القياس

- للالتزام بالمواصفات الفنية، ينبغي فحص الجهاز بصفة دورية (على الأقل قبل كل عملية قياس كبيرة/هامة).
- ينبغي فحص الأداء الوظيفي للجهاز بعد تعرضه للسقوط من ارتفاع عالي. يمكن اعتبار الجهاز سليما ويعمل بنفس الدقة عند تحقق الشروط التالية:
- عدم تجاوز ارتفاع السقوط المذكور في المواصفات الفنية.



- عمل الجهاز قبل السقوط بشكل سليم.
- عدم وقوع أضرار ميكانيكية بالجهاز من جراء السقوط (على سبيل المثال كسر المنشور الخماسي).
- توليد الجهاز أثناء التشغيل شعاع ليزر دوار.

8 المساعدة في حالات الاختلالات

عند حدوث اختلالات غير مذكورة في الجدول أو يتعذر عليك معالجتها بنفسك، فيرجى التوجه إلى مركز خدمة Hilti.

الخلل	السبب المحتمل	الحل
الجهاز لا يعمل.	لم يتم إدخال البطارية حتى النهاية.	◀ قم بتثبيت البطارية حتى سماع صوت طقطقة مزدوجة.
	البطارية فارغة الشحنة.	◀ قم بتغيير البطارية واشحن البطارية الفارغة.
شحنة البطارية تفرغ بشكل أسرع من المعتاد.	درجة حرارة محيطية شديدة الانخفاض.	◀ قم بتسخين البطارية ببطء على درجة حرارة الغرفة.
البطارية لا تثبت بصوت طقطقة مسموع.	أطراف تثبيت البطارية متسخة.	◀ قم بتنظيف أطراف التثبيت ثم قم بتركيب البطارية مجدداً.
تنشأ سخونة شديدة بالجهاز أو البطارية.	عطل كهربائي	◀ قم بإيقاف الجهاز على الفور، اخلع البطاريات وافحصها جيداً، ثم أتركها تبرد واتصل بمركز خدمة Hilti.

9 التكيب

تحذير ⚠

- خطر الإصابة من جراء التكيب غير المطابق للتعليمات! خطر على الصحة من جراء الغازات والسوائل المتسربة.**
- ◀ لا تقم بإرسال أو توريد بطاريات تالفة!
 - ◀ قم بتغطية التوصيلات باستخدام مادة غير موصلة للكهرباء وذلك لتجنب حدوث قفلات كهربائية.
 - ◀ تخلص من البطاريات بحيث لا تصل إلى متناول الأطفال.
 - ◀ تخلص من البطارية لدى متجر Hilti Store أو توجه إلى مركز التخلص من النفايات المختص.

♻️ أجهزة Hilti مصنوعة بنسبة كبيرة من مواد قابلة لإعادة التدوير. يشترط لإعادة التدوير أن يتم فصل الغامات بشكل سليم فنياً. في العديد من الدول تقوم شركة Hilti باستغلال الأجهزة القديمة لإعادة تدويرها. وللمعلومات حول ذلك اتصل بخدمة عملاء Hilti أو الموزع القريب منك.

طبقاً للمواصفة الأوروبية بخصوص الأجهزة الكهربائية والإلكترونية القديمة وما يقابل هذه المواصفة في القوانين المحلية يجب تجميع الأجهزة الكهربائية المستعملة والبطاريات بشكل منفصل وإعادة تدويرها بشكل لا يضر بالبيئة.

◀ لا تلق أجهزة القياس الإلكترونية ضمن القمامة المنزلية!

لتجنب الإضرار بالبيئة يجب تكيب الأجهزة والبطاريات طبقاً للمواصفات المعنية المعمول بها في بلد الاستخدام.

10 ضمان الجبة الصانعة

- ◀ في حالة وجود أية استفسارات بخصوص شروط الضمان، يرجى التوجه إلى وكيل Hilti المحلي التابع لك.



Оригінальна інструкція з експлуатації

1 Інформація щодо інструкції з експлуатації

1.1 Про цю інструкцію з експлуатації

- **Попередження!** Перед використанням продукту слід обов'язково прочитати та зрозуміти інструкцію з експлуатації, що додається, у тому числі інструкції, вказівки з техніки безпеки, попереджувальні вказівки, ілюстрації та технічні характеристики. Зокрема, ознайомтеся з усіма інструкціями, вказівками з техніки безпеки, попереджувальними вказівками, ілюстраціями, технічними характеристиками, а також інформацією щодо компонентів та функцій. Недотримання цієї вимоги може призвести до ризику ураження електричним струмом, виникнення пожежі та/або тяжких травм. Зберігайте інструкцію з експлуатації, зокрема всі інструкції, вказівки з техніки безпеки та попереджувальні вказівки, щоб можна було звернутися до них у майбутньому.
- **HILTI** Інструменти призначені для професійного використання, а тому їхню експлуатацію, технічне обслуговування та ремонт слід доручати лише авторизованому персоналу зі спеціальною підготовкою. Цей персонал повинен бути спеціально проінструктований про можливі ризики. Інструмент та допоміжне приладдя можуть стати джерелом небезпеки у разі їхнього неправильного застосування некваліфікованим персоналом або у разі використання не за призначенням.
- Інструкція з експлуатації, що додається до продукту, відповідає стану науки і техніки, актуальному на момент її друку. Більш актуальну версію інструкції з експлуатації можна знайти в інтернеті на сторінці з інформацією про продукти Hilti. Для цього перейдіть за посиланням або QR-кодом у цій інструкції з експлуатації, що позначені символом
- У разі зміни власника передавайте продукт лише разом із цією інструкцією з експлуатації.

1.2 Пояснення символів

1.2.1 Попереджувальні вказівки

Попереджувальні вказівки інформують користувача про фактори небезпеки, пов'язані із застосуванням інструмента. Використовуються такі сигнальні слова:

НЕБЕЗПЕКА

НЕБЕЗПЕКА !

- ▶ Указує на безпосередню небезпеку, що може призвести до отримання тяжких тілесних ушкоджень або навіть до смерті.

ПОПЕРЕДЖЕННЯ

ПОПЕРЕДЖЕННЯ !

- ▶ Указує на потенційно небезпечну ситуацію, яка може призвести до отримання тяжких тілесних ушкоджень або навіть смерті.

ОБЕРЕЖНО

ОБЕРЕЖНО !

- ▶ Указує на потенційно небезпечну ситуацію, яка може призвести до отримання тілесних ушкоджень або до матеріальних збитків.

1.2.2 Символи у документі

У цьому документі використовуються такі символи:

	Перед використанням прочитайте інструкцію з експлуатації
	Вказівки щодо експлуатації та інша корисна інформація
	Поводження з матеріалами, придатними для вторинної переробки
	Не викидайте електроінструменти і акумуляторні батареї у баки для побутового сміття



1.2.3 Символи на ілюстраціях

На ілюстраціях використовуються такі символи:

	Цифрами позначаються відповідні ілюстрації, наведені на початку цієї інструкції
	Нумерація відображає послідовність робочих кроків на ілюстраціях та може відрізнитися від нумерації у тексті
	Номера позицій, наведені на оглядовій ілюстрації , відповідають номерам у легенді, що представлена у розділі « Огляд продукту »
	Цей символ позначає аспекти, на які слід звернути особливу увагу під час застосування інструмента.

1.3 Символи, що обумовлені типом інструмента

1.3.1 Символи на інструменті

На інструменті можуть бути наведені такі символи:

	Інструмент підтримує бездротову передачу даних та є сумісним із платформами iOS та Android.
	Використовуваний тип літій-іонної акумуляторної батареї Hilti . Дотримуйтеся вказівок, наведених у розділі « Використання за призначенням ».
	Літій-іонна акумуляторна батарея
	Ніколи не використовуйте акумуляторну батарею у якості ударного інструмента.
	Не допускайте падіння акумуляторної батареї. Не використовуйте акумуляторну батарею, яка зазнала ударного навантаження або була пошкоджена іншим чином.

1.4 Інформація про інструмент

Інструменти призначені для професійного використання, а тому їхню експлуатацію, технічне обслуговування та ремонт слід доручати лише авторизованому персоналу зі спеціальною підготовкою. Цей персонал повинен бути спеціально проінструктований про можливі ризики. Інструмент та допоміжне приладдя можуть стати джерелом небезпеки у разі їхнього неправильного застосування некваліфікованим персоналом або у разі використання не за призначенням.

Тип та серійний номер зазначені на заводській табличці.

- Перепишіть серійний номер у наведену нижче таблицю. При оформленні запитів до нашого представництва та до сервісної служби вкажіть інформацію про інструмент.

Інформація про інструмент

Ротаційний лазерний нівелір	PR 3-HVSG A12
Версія	02
Серійний номер	

1.5 Сертифікат відповідності

Зі всією належною відповідальністю заявляємо, що описаний у цьому документі інструмент відповідає діючим директивам і стандартам. Копія сертифіката відповідності наведена у кінці цього документа.

Технічна документація зазначена нижче:

Hilti Entwicklungsgesellschaft mbH | Zulassung Geräte | Hiltistraße 6 | 86916 Kaufering, DE

2 Безпека

2.1 Вказівки з техніки безпеки

2.1.1 Основні вимоги щодо безпеки

Уважно прочитайте усі вказівки та інструкції з техніки безпеки. Щонайменше недотримання вказівок та інструкцій з техніки безпеки може призвести до ураження електричним струмом, займання та/або отримання тяжких травм.



Зберігайте всі інструкції та вказівки з техніки безпеки – вони можуть знадобитися Вам у майбутньому. Термін «електроінструмент», який використовується у вказівках з техніки безпеки, позначає як електроінструменти, що працюють від електричної мережі (із кабелем живлення), так і електроінструменти, що працюють від акумуляторної батареї (без кабелю живлення).

2.1.2 Загальні вимоги щодо техніки безпеки

- ▶ **Будьте уважними, зосередьтеся на виконуваній операції, до роботи з електроінструментом ставтеся серйозно. Не користуйтеся електроінструментом, якщо Ви втомлені або перебуваєте під дією наркотичних речовин, алкоголю або лікарських засобів.** Під час роботи з електроінструментом не відволікайтеся ні на мить, оскільки це може призвести до отримання серйозних травм.
- ▶ **Не відключайте жодних засобів безпеки і не знімайте вказівні та попереджувальні щитки.**
- ▶ **Зберігайте лазерні інструменти в недоступному для дітей місці.**
- ▶ У разі розгвинчування інструмента некваліфікованою особою назовні може потрапити випромінювання, інтенсивність якого перевищує клас 2. **Ремонт інструмента повинен виконуватися лише в сервісних центрах Hilti.**
- ▶ Лазерні промені повинні проходити значно нижче або вище рівня очей.
- ▶ **Обов'язково враховуйте умови навколишнього середовища. Не застосовуйте інструмент у пожежонебезпечних і вибухонебезпечних умовах.**
- ▶ Вказівка відповідно до вимог FCC §15.21: Унесення змін до конструкції інструмента без дозволу компанії Hilti може призвести до обмеження права користувача на введення інструмента в експлуатацію.
- ▶ **Якщо інструмент впаде або зазнав впливу значних механічних навантажень, необхідно перевірити точність його роботи.**
- ▶ **Якщо Ви переносите інструмент із сильного холоду в більш тепле оточення або навпаки, то перед початком роботи слід зачекати, доки інструмент не акліматизується.**
- ▶ **Якщо Ви працюєте з адаптерами та приладдям, переконайтеся, що інструмент надійно закріплений.**
- ▶ **Щоб уникнути помилок під час вимірювання, утримуйте вихідні віконця лазерного променя в чистоті.**
- ▶ **Хоча інструмент і призначений для застосування у важких умовах експлуатації на будівельних майданчиках, поводитися з ним, як і з іншими оптичними та електричними пристроями (польовими біноклями, окулярами, фотоапаратами), слід дуже акуратно й обережно.**
- ▶ **Незважаючи на те що інструмент захищений від проникнення вологи, його слід протирати насухо, перш ніж класти у транспортний контейнер.**
- ▶ **Перевіряйте інструмент також щоразу перед важливими вимірюваннями.**
- ▶ **Під час застосування неодноразово перевіряйте точність вимірювання інструмента.**
- ▶ **Подбайте про належне освітлення робочої ділянки.**
- ▶ Намагайтеся не торкатися контактів.
- ▶ **Дбайливо доглядайте за інструментом. Ретельно перевіряйте, чи бездоганно працюють та чи не заклинюють рухомі частини інструмента, чи не зламалися або не зазнали інших пошкоджень деталі, від яких залежить його справна робота. Перед початком роботи з інструментом пошкоджені деталі слід відремонтувати. Багатьох нещасних випадків можна уникнути за умови належного технічного обслуговування інструментів.**

2.1.3 Належне облаштування робочого місця

- ▶ **Огородіть місце виконання вимірювань. Під час встановлення інструмента PR 3-HVSG A12 переконайтеся, що лазерний промінь не направлений на Вас або на інших осіб.**
- ▶ **Під час виконання робіт на драбині подбайте про зручну позу. Намагайтеся працювати у стійкій позі та повсякчас утримувати рівновагу.**
- ▶ **Якщо вимірювання проводяться поблизу об'єктів із високою відбивною здатністю, через поверхню зі скла або з інших подібних матеріалів, це може негативно позначитися на точності результатів вимірювань.**
- ▶ **Переконайтеся, що інструмент встановлений на стійкій надійній опорі (захищеній від впливу вібрації!).**
- ▶ **Застосовуйте інструмент лише в межах його робочого діапазону.**
- ▶ **Застосовуйте інструмент, приладдя до нього, змінний робочий інструмент та інші деталі згідно з цими вказівками і лише так, як це передбачено для конкретного типу інструмента. При цьому завжди враховуйте умови в місці виконання робіт та дії, яких вимагає поставлене завдання.**



Використання інструментів не за призначенням може призвести до виникнення небезпечних ситуацій.

- ▶ **Користуватися нівелірними рейками поблизу лінії високої напруги не дозволяється.**
- ▶ Переконайтеся, що поблизу не використовується інший інструмент PR 3-HVSG A12. **Його інфрачервона система керування може заважати роботі Вашого інструмента.** Час від часу перевіряйте обладнання.

2.1.4 Електромагнітна сумісність

Незважаючи на те що інструмент відповідає суворим вимогам відповідних директив, компанія Hilti не виключає можливості виникнення таких ситуацій:

- Сильне випромінювання інших приладів може негативно позначитися на роботі інструмента та призвести до виникнення помилок.
У цих та в інших випадках повинні виконуватися контрольні вимірювання.
- Використання інструмента може становити перешкоди для роботи інших приладів (наприклад, навігаційного обладнання літаків).

Тільки для Кореї:

Цей інструмент розрахований на вплив електромагнітних хвиль, які генеруються у побутовому середовищі (клас B). Він призначений головним чином для застосування у побутовому середовищі, але може також використовуватися в інших місцях.

2.1.5 Класифікація лазерних пристроїв із лазером класу 2

Цей інструмент відповідає класу лазера 2 згідно зі стандартами IEC60825-1:2007 / EN60825-1:2007. Такі інструменти дозволяється використовувати без додаткових засобів безпеки.

ОБЕРЕЖНО

Ризик отримання травми! Не спрямовуйте лазерний промінь на людей.

- ▶ Ніколи не дивіться безпосередньо на джерело лазерного випромінювання. У разі прямого потраплення променя в очі закрийте їх і відведіть голову від області випромінювання.

2.1.6 Належне використання акумуляторних інструментів

- ▶ **Не піддавайте акумуляторні батареї впливу високих температур, прямих сонячних променів та відкритого вогню.** У разі недотримання цієї вимоги існує загроза вибуху.
- ▶ **Акумуляторні батареї забороняється розбирати, роздавлювати, нагрівати до температури понад 80 °C (176 °F) або спалювати.** У разі недотримання цієї вимоги існує небезпека займання, вибуху та отримання хімічних опіків.
- ▶ **Не піддавайте акумуляторну батарею значним механічним навантаженням та не кидайте її.**
- ▶ **Тримайте акумуляторні батареї подалі від дітей.**
- ▶ **Уникайте потраплення вологи всередину акумуляторної батареї.** Якщо волога потрапить усередину, це може призвести до короткого замикання, спричинити опіки або пожежу.
- ▶ **У разі неправильного застосування з акумуляторної батареї може пролитися рідина. Уникайте контакту з нею.** У разі випадкового контакту цієї рідини зі шкірою негайно промийте уражене місце достатньою кількістю води. Якщо рідина потрапила в очі, рекомендується додатково звернутися по лікарську допомогу. Пролита з елементів живлення рідина може призвести до подразнення шкіри або опіків.
- ▶ **Використовуйте тільки ті акумуляторні батареї, що допущені до експлуатації з відповідним інструментом.** У разі використання інших акумуляторних батарей або у разі використання акумуляторних батарей не за призначенням існує небезпека займання або вибуху.
- ▶ Зберігайте акумуляторну батарею в якомога більш прохолодному та сухому місці. Забороняється зберігати акумуляторну батарею на сонці, на опалювальних приладах або на підвіконні.
- ▶ **Акумуляторну батарею або зарядний пристрій, що не використовуються, тримайте подалі від канцелярських скріпок, монет, ключів, цвяхів, гвинтів та інших дрібних металевих предметів, які можуть спричинити коротке замикання контактів.** Коротке замикання контактів акумуляторних батарей або зарядних пристроїв може призвести до опіків або до пожежі.
- ▶ **Пошкоджені акумуляторні батареї (наприклад, з тріщинами, відламаними деталями, погнутими, вдавненими або витягнутими контактами) не можна ані заряджати, ані продовжувати використовувати.**
- ▶ **Для заряджання акумуляторних батарей застосовуйте лише зарядні пристрої, рекомендовані виробником.** Зарядний пристрій, придатний для заряджання акумуляторних батарей певного типу, може спричинити пожежу, якщо його застосовувати для заряджання акумуляторних батарей інших типів.

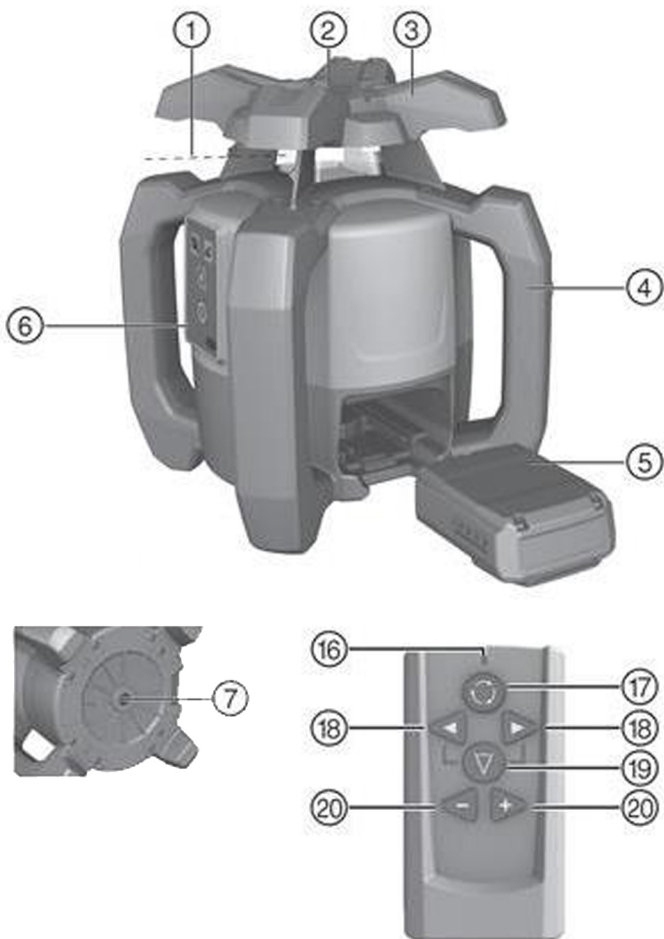


- ▶ Дотримуйтеся також особливих указівок щодо транспортування, складського зберігання та застосування літій-іонних акумуляторних батарей.
- ▶ **Якщо необхідно відправити інструмент поштою, то акумуляторні батареї слід ізолювати або дістати з інструмента.** У разі витoku електроліту з акумуляторних батарей інструмент може бути серйозно пошкоджений.
- ▶ Якщо акумуляторна батарея значно нагрівається у вимкненому інструменті, це свідчить про можливу несправність самої акумуляторної батареї або системи інструмента та акумуляторної батареї. **Залиште інструмент у захищеному від вогню місці на достатній відстані від горючих матеріалів, де за ним можна спостерігати, і дайте йому охолонути.**

3 Опис

3.1 Огляд продукту

3.1.1 Ротаційний лазерний нівелір PR 3-HVSG



Легенда

① Лазерний промінь (площина обертання)

② Контрольний промінь 90°



2154010

Українська

53

- | | | | |
|---|----------------------------------|---|-------------------------------|
| ③ | Рукоятка | ⑤ | Панель керування |
| ④ | Літій-іонна акумуляторна батарея | ⑥ | Підставка з різьбою 5/8 дюйма |

3.1.2 Панель керування PR 3-HVSG A12

Легенда

- | | | | |
|---|---|---|---|
| ⑧ | Світлодіод: автоматичне нівелювання | ⑫ | Кнопка: кут нахилу |
| ⑨ | Кнопка: деактивація функції «антишок» | ⑬ | Кнопка: швидкість обертання |
| ⑩ | Світлодіод: деактивація функції «антишок» | ⑭ | Кнопка: увімкн./вимкн. |
| ⑪ | Світлодіод: кут нахилу | ⑮ | Індикатор стану заряду елементів живлення |

3.1.3 Пульт дистанційного керування PRA 2

Легенда

- | | | | |
|---|--|---|--------------------------------------|
| ⑯ | Світлодіод: «команда відіслана» | ⑲ | Кнопка: лінійна функція |
| ⑰ | Кнопка: швидкість обертання | ⑳ | Кнопки керування сервосистемою (+/-) |
| ⑱ | Кнопка: встановлення напрямку лінії (ліворуч/праворуч) | | |

3.2 Використання за призначенням

Описаний інструмент являє собою ротаційний лазерний нівелір з видимим зеленим лазерним променем, що обертається, та зміщеним на 90° контрольним променем. Ротаційний лазерний нівелір може використовуватися для нівелювання вертикальних, горизонтальних і нахилених поверхонь. Інструмент призначений для розмічання, перенесення та перевірки горизонтальних, вертикальних та нахилених площин, а також прямих кутів. Приклади використання: перенесення точок відліку та відміток висоти, визначення прямих кутів стін, вирівнювання по вертикалі за опорними точками, розмічання нахилених площин.

- ▶ Використовуйте з цим інструментом тільки літій-іонні акумуляторні батареї HiltiB 12/2.6 та B 12-30.
- ▶ Використовуйте з цим інструментом тільки зарядний пристрій Hilti C 412-50.

3.3 Характерні ознаки

За допомогою інструмента одна особа може швидко та з високою точністю виконати нівелювання будь-якої площини.

Передбачено 4 різні швидкості обертання (0, 90, 300, 600 об/хв). Попередньо встановлене значення швидкості обертання складає 300 об/хв.

Інструмент має такі індикатори режимів роботи: світлодіод автоматичного нівелювання, світлодіод кута нахилу та світлодіод функції «антишок».

Під час автоматичного нівелювання в одному чи в обох напрямках сервосистема контролює дотримання параметрів точності відповідно до технічних характеристик. Інструмент **автоматично вимикається**, якщо не вдається виконати нівелювання (інструмент заблокований механічно або знаходиться поза межами діапазону автоматичного нівелювання) або якщо інструмент відхиляється від вертикальної площини (через струс/поштовх). Після вимкнення лазерний промінь перестає обертатися, а всі світлодіоди починають мигати.

Видимість лазерного променя може бути обмежена залежно від робочої відстані та від яскравості навколишнього освітлення. За допомогою мішені можна покращити видимість. Якщо видимість лазерного променя недостатня, наприклад через сонячне світло, рекомендується застосувати приймач лазерних променів (приладдя).

Нівелювання

Після увімкнення інструмента вирівнювання ($\pm 5^\circ$) за **нівельованою площиною** відбувається автоматично за допомогою двох убудованих сервомоторів. Відповідний робочий режим позначається світлодіодами. Інструмент можна встановлювати безпосередньо на підлогу, на штатив або на відповідне кріплення.

Нівелювання **у вертикальній площині** здійснюється автоматично. За допомогою кнопок +/- на пульті дистанційного керування **PRA 2** Ви можете вирівняти (повернути) вертикальну площину вручну.

Нахил можна налаштувати вручну у режимі нахилу за допомогою пульта дистанційного керування **PRA 2** з точністю до $\pm 5^\circ$. У режимі нахилу Ви також можете скористатися адаптером для налаштування нахилу до 60 %.

Якщо під час роботи інструмент виведений з вертикального положення (через струс/поштовх), то інтегрована **функція «антишок»**, яка активується через одну хвилину після нівелювання інструмента,



переводить інструмент у режим попереджувальної індикації. Усі світлодіоди мигають, головка не обертається, а лазер вимкнений.

Використання у комбінації з іншими інструментами

Пульт дистанційного керування **PRA 2** надає можливість зручно керувати роботою ротаційного лазерного нівеліра на відкритих ділянках. Додатково передбачена можливість вирівнювати лазерний промінь за допомогою функції дистанційного керування.

Приймачі лазерних променів **Hilti** можуть використовуватися для покращення індикації лазерного променя на великих відстанях. Більш детальну інформацію Ви можете знайти в інструкції з експлуатації приймача лазерних променів.

3.4 Світлодіодні індикатори

Світлодіодні індикатори вимикаються разом із ротаційним лазерним нівеліром.

Стан	Значення
Усі світлодіоди мигають	Інструмент був зсунутий з місця, нівелювання збілося або виникла інша помилка.
Світлодіод автоматичного нівелювання мигає зеленим кольором	Інструмент перебуває в режимі нівелювання.
Світлодіод автоматичного нівелювання світиться зеленим кольором	Інструмент віднівелюваний/працює належним чином.
Світлодіод функції «антишок» світиться оранжевим кольором	Функція «антишок» деактивована.
Світлодіод індикації нахилу світиться оранжевим кольором	Режим нахилу активований.

3.5 Індикатор стану заряду літій-іонної акумуляторної батареї

Літій-іонна акумуляторна батарея оснащена індикатором стану заряду.

Стан	Значення
4 світлодіоди горять.	Стан заряду: від 75 % до 100 %
3 світлодіоди горять.	Стан заряду: від 50 % до 75 %
2 світлодіоди горять.	Стан заряду: від 25 % до 50 %
Горить 1 світлодіод.	Стан заряду: від 10 % до 25 %
Мигає 1 світлодіод.	Стан заряду: < 10 %



Під час роботи стан заряду акумуляторної батареї відображається на панелі керування інструмента.

Під час перерви у роботі для перевірки стану її заряду досить злегка натиснути на деблокувальну кнопку.

Під час заряджання стан заряду показує індикатор на акумуляторній батареї (додаткова інформація наведена в інструкції з експлуатації зарядного пристрою).

3.6 Комплект постачання

Ротаційний лазерний нівелір PR 3-HVSG A12, пульт дистанційного керування PRA 2, мішень PRA 54, 2 елементи живлення (батареї типу AA), 2 сертифікати виробника, інструкція з експлуатації.



Інше приладдя, допущене до експлуатації з Вашим інструментом, Ви можете знайти у **Hilti Store** або на веб-сайті www.hilti.group

4 Технічні дані

Номінальна напруга	10,8 В
Номінальний струм	160 мА
Максимальна робоча висота над рівнем моря	2 000 м (6 561 фут — 8 дюйм)



Максимальна відносна вологість	90 %
Дальність прийому (діаметр робочої зони)	150 м
Дальність передачі даних (PRA 2)	30 м
Точність вимірювань на відстані 10 м (за умов, які відповідають стандарту MIL-STD-810G щодо рівня захисту обладнання від зовнішнього впливу)	±1 мм
Клас лазера	Видимий, клас 2, 510–530 нм/Ро < 4,85 мВт, ≥ 300 об/хв; EN 60825-1:2007; IEC 60825-1:2007
Робоча температура	–10 °C ... 50 °C
Температура зберігання	–25 °C ... 63 °C
Маса разом з акумуляторною батареєю B222.6 або B 12-30	2,4 кг
Висота при випробуванні на стійкість до падіння (за умов, які відповідають стандарту MIL-STD-810G щодо рівня захисту обладнання від зовнішнього впливу)	1,5 м
Різьба штатива	5/8 дюйм
Клас захисту згідно з IEC 60529	IP 56

5 Уведення до експлуатації

5.1 Належне застосування лазерного інструмента та акумуляторної батареї

- ▶ Рис. 1: Робота у горизонтальній площині.
- ▶ Рис. 2: У режимі нахилу лазерний нівелір можна трохи підняти з боку панелі керування.
- ▶ Рис. 3: Зберігання та транспортування у належному положенні.
 - ▶ Лазерний нівелір слід утримувати таким чином, щоб відсік для акумуляторної батареї або сама акумуляторна батарея НЕ БУЛИ спрямовані вгору, інакше до них може потрапити волога.



Акумуляторна батарея типу B12 не має класу захисту. Захищайте акумуляторну батарею від впливу дощу та вологи. Згідно з указівками компанії **Hilti** акумуляторну батарею дозволяється використовувати тільки з призначеним для неї інструментом; для цього акумуляторну батарею слід устатувати у батарейний відсік.

5.2 Установлення акумуляторної батареї

ОБЕРЕЖНО

Ризик отримання травм. Випадкове увімкнення інструмента.

- ▶ Перш ніж уставляти акумуляторну батарею, переконайтеся, що інструмент вимкнений.

ОБЕРЕЖНО

Електрична небезпека. Якщо контакти забруднені, існує можливість короткого замикання.

- ▶ Перш ніж уставляти акумуляторну батарею, переконайтеся, що на контактах акумуляторної батареї та інструмента немає сторонніх предметів.

ОБЕРЕЖНО

Ризик отримання травм. Якщо акумуляторна батарея встановлена неналежним чином, вона може впасти.

- ▶ Щоб акумуляторна батарея не впала та не травмувала Вас, переконайтеся, що вона надійно закріплена в інструменті.
- ▶ Установіть акумуляторну батарею та переконайтеся, що вона надійно закріплена в інструменті.

5.3 Дістання акумуляторної батареї

- ▶ Вийміть акумуляторну батарею.



6 Експлуатація

6.1 Увімкнення інструмента

- ▶ Натисніть кнопку «Увімкн./Вимкн.».



Після вмикання інструмент запускає автоматичне нівелювання.

Перевіряйте точність роботи інструмента, зокрема – якщо потрібно провести відповідальне вимірювання, а також якщо інструмент вправ або зазнав впливу значних механічних навантажень.

6.2 Вимірювання в горизонтальній площині 6

1. Установіть інструмент на тримач.



У якості тримача можна використовувати настінний фіксатор або штатив. Кут нахилу поверхні, на якій встановлюється інструмент, не має перевищувати $\pm 5^\circ$.

2. Натисніть кнопку «Увімкн./Вимкн.». Світлодіод автоматичного нівелювання починає мигати зеленим.



Коли нівелювання успішно завершено, лазерний промінь вмикається і починає обертатися, при цьому світлодіод автоматичного нівелювання світиться постійно.

6.3 Вимірювання у вертикальній площині 7

1. Установіть інструмент таким чином, щоб панель керування інструмента була спрямована вгору.



Для забезпечення точності вимірювань інструмент слід встановлювати на рівну поверхню або відповідним чином відрегулювати його на штативі або іншому приладді.

2. Вирівняйте вертикальну вісь інструмента вручну у потрібному напрямку.



Коли нівелювання успішно завершено, лазерний промінь вмикається і починає обертатися, при цьому світлодіод автоматичного нівелювання світиться постійно.

3. Натисніть кнопку «Увімкн./Вимкн.». Після закінчення нівелювання інструмент вмикає лазер із ротаційним променем, що проєцирується вертикально вниз. Ця точка проєкції є опорною та використовується для позиціонування інструмента.
4. Натисніть кнопку регулювання швидкості обертання, щоб побачити промінь у всій площині обертання.
5. За допомогою кнопок + та – на пульті дистанційного керування Ви можете пересувати вертикальний ротаційний промінь ліворуч та праворуч із кроком до 5° .

6.4 Нахил

Щоб досягти оптимальних результатів, слід контролювати вирівнювання PR 3-HVSG A12. Найкращим чином це можна зробити, намітивши 2 точки, розташовані у 5 м (16 футів) ліворуч та праворуч від інструмента паралельно його осі. Відмітьте висоту віднівелюваної горизонтальної площини, потім відмітьте значення висоти відповідно до нахилу. Вирівнювання інструмента є оптимальним тільки в тому випадку, якщо ці значення висоти ідентичні в обох точках.

6.4.1 Установлення нахилу вручну

1. Залежно від застосування установіть інструмент, наприклад, на штативі.
2. Розмістіть ротаційний лазерний нівелір на верхньому або на нижньому краю площини нахилу.
3. Станьте позаду інструмента таким чином, щоб панель керування знаходилася у полі зору.
4. За допомогою цільової позначки на головці інструмента вирівняйте інструмент приблизно паралельно до нахиленої площини.
5. Увімкніть інструмент та натисніть кнопку режиму нахилу. Загориться світлодіод режиму нахилу. Коли нівелювання успішно завершено, вмикається лазерний промінь.



6. Натисніть кнопку + або – на пульті дистанційного керування, щоб нахилити площину. Ви також можете скористатися адаптером для налаштування нахилу (приладдя).



Якщо Ви встановлюєте нахил вручну, то ротаційний лазерний нівелір одноразово нівелює площину лазерного променя та після цього одноразово фіксує її. Зверніть увагу, що ця модель ротаційного лазерного нівеліра не компенсує коливання нахилу площини лазерного променя, які можуть виникати внаслідок зміни умов навколишнього середовища та/або зміщення положення кріплення. Вібραції, коливання температури або інші навантаження, які виникають протягом дня, можуть впливати на положення площини лазерного променя.

7. Щоб повернутися до стандартного режиму роботи, інструмент потрібно вимкнути, а потім знову увімкнути.

6.4.2 Установлення нахилу за допомогою адаптера кута нахилу

1. Установіть на штатив відповідний адаптер кута нахилу.
2. Розмістіть штатив на верхньому або на нижньому краю площини нахилу.
3. Установіть ротаційний лазерний нівелір на адаптер кута нахилу та вирівняйте інструмент PR 3-HVSG A12 за допомогою цільової позначки на його лазерній головці разом з адаптером кута нахилу паралельно до площини нахилу.
4. Переконайтеся, що адаптер кута нахилу знаходиться у вихідній позиції (0°).



Панель керування PR 3-HVSG A12 має знаходитися на стороні, протилежній напрямку нахилу.

5. Увімкніть інструмент.
6. Натисніть кнопку режиму нахилу. На панелі керування ротаційного лазерного нівеліра світиться світлодіод режиму нахилу. Інструмент починає процес автоматичного нівелювання. Коли цей процес завершений, лазер вмикається та починає обертатися.
7. Установіть потрібний кут нахилу на адаптері кута нахилу.



Якщо Ви встановлюєте нахил вручну, то ротаційний лазерний нівелір одноразово нівелює площину лазерного променя та після цього одноразово фіксує її. Зверніть увагу, що ця модель ротаційного лазерного нівеліра не компенсує коливання нахилу площини лазерного променя, які можуть виникати внаслідок зміни умов навколишнього середовища та/або зміщення положення кріплення. Вібραції, коливання температури або інші навантаження, які виникають протягом дня, можуть впливати на положення площини лазерного променя.

6.5 Робота із застосуванням пульта дистанційного керування PRA 2

Пульт дистанційного керування PRA 2 полегшує роботу з ротаційним лазерним нівеліром, дозволяючи керувати деякими його функціями.

Вибір швидкості обертання

Після увімкнення ротаційний лазерний нівелір завжди починає працювати на швидкості 300 обертів на хвилину. За низької швидкості обертання лазерний промінь має підвищену яскравість і краще розпізнається. За високої швидкості обертання лазерний промінь є більш стабільним. Налаштування швидкості обертання послідовно змінюється при неодноразовому натисканні кнопки регулювання швидкості обертання.

Вибір лінійної функції

Натисканням кнопки лінійної функції на пульті дистанційного керування Ви можете зменшити область лазерного променя до однієї лінії. Завдяки цьому лазерний промінь стає значно яскравішим. Натискаючи кнопку лінійної функції декілька разів, Ви змінюватимете довжину лінії. Довжина лінії обумовлюється відстанню між лазером та стіною/поверхнею. Лінію лазера можна довільно пересувати за допомогою кнопок встановлення напрямку (праворуч/ліворуч).

6.6 Деактивація функції «антишок»

1. Увімкніть інструмент.
2. Натисніть кнопку деактивації функції «антишок». Якщо світлодіод деактивації функції «антишок» світиться постійно, це означає, що функція деактивована.
3. Щоб повернутися до стандартного режиму роботи, вимкніть інструмент, а потім увімкніть його знову.



6.7 Перевірка головної та поперечної горизонтальної осі 9

1. Установіть штатив на відстані приблизно 20 м (66 футів) від стіни та вирівняйте головку штатива по горизонталі за допомогою рівня.
2. Установіть інструмент на штатив та направте головку інструмента на стіну, використовуючи для цього цільову позначку.
3. За допомогою приймача лазерних променів захопіть точку (точка 1) та відмітьте її на стіні.
4. Поверніть інструмент навколо його осі на 90° за годинниковою стрілкою. При цьому висота інструмента має залишатись незмінною.
5. За допомогою приймача лазерних променів захопіть другу точку (точка 2) та відмітьте її на стіні.
6. Повторіть два наведені вище кроки ще двічі, захопіть точку 3 та точку 4 за допомогою приймача та відмітьте їх на стіні.

За умов належного виконання відстань по вертикалі між відміченими точками 1 та 3 (головна вісь), а також між точками 2 та 4 (поперечна вісь) не має перевищувати 3 мм (на відстані 20 м) (0,12 дюйма на відстані 66 футів). У разі більшого відхилення відправте інструмент до служби сервісного обслуговування компанії **Hilti** для його калібрування.

6.8 Перевірка вертикальної осі 9, 10

1. Установіть інструмент на якомога рівнішій поверхні на відстані приблизно 20 м (66 футів) від стіни.
2. Вирівняйте рукоятки інструмента паралельно стіні.
3. Увімкніть інструмент та відмітьте опорну точку (R) на підлозі.
4. За допомогою приймача відмітьте точку (A) з нижнього краю стіни. (Виберіть середню швидкість).
5. За допомогою приймача лазерних променів відмітьте точку (B) приблизно на 10 метрів (33 фути) вище.
6. Поверніть інструмент на 180° і вирівняйте його по опорній точці (R) на підлозі та по нижній точці (A), відміченій на стіні.
7. За допомогою приймача лазерних променів відмітьте точку (C) приблизно на 10 метрів (33 фути) вище.

За умов належного виконання відстань по горизонталі між обома точками (B) та (C), відміченими на висоті 10 м, не має перевищувати 2 мм (на висоті 10 м) (0,08 дюйма на висоті 33 фути). У разі більшого відхилення: відправте інструмент до служби сервісного обслуговування компанії **Hilti** для його калібрування.

7 Догляд, технічне обслуговування, транспортування та зберігання

7.1 Чищення та висушування

- ▶ Здувайте пил з вихідного віконця лазера.
- ▶ Не торкайтеся пальцями поверхні вихідного віконця лазера.
- ▶ Для чищення інструмента використовуйте тільки чисту м'яку тканину. За необхідності тканину можна злегка змочити чистим спиртом або водою.

Занадто грубий засіб для чищення може подряпати скло, завдавши шкоди точності вимірювань інструмента. За винятком чистого спирту або води, забороняється використовувати будь-які інші рідкі миючі засоби, оскільки вони можуть пошкодити пластикові деталі.

Під час просушки обладнання температура повинна знаходитися у межах зазначеного діапазону.

7.2 Зберігання

- ▶ Забороняється зберігати інструмент у вологому стані. Перш ніж класти інструмент у транспортний контейнер для зберігання, зачекайте, доки інструмент не просохне.
- ▶ Перед зберіганням слід прочистити інструмент, транспортний контейнер та приладдя.
- ▶ Після довготривалого зберігання або дальніх перевезень обов'язково виконайте контрольне вимірювання перед використанням інструмента.
- ▶ Під час зберігання обладнання дотримуйтесь температурного режиму, зокрема, коли воно зберігається у салоні автомобіля.



7.3 Догляд за літій-іонною акумуляторною батареєю

- ▶ Слідкуйте за тим, щоб акумуляторна батарея була чистою, та не допускайте її забруднення мастилом. Для догляду за акумуляторною батареєю не використовуйте засоби, що містять силікон.
- ▶ Регулярно очищайте зовнішні поверхні злегка зволоженою тканиною.
- ▶ Уникайте потрапляння вологи всередину акумуляторної батареї.
- ▶ Заряджайте акумуляторні батареї тільки за допомогою зарядних пристроїв, дозволених компанією Hilti до застосування з літій-іонними акумуляторними батареями.

7.4 Транспортування

Дотримуйтеся також особливих указівок щодо транспортування, складського зберігання та застосування літій-іонних акумуляторних батарей.

Якщо необхідно відправити інструмент поштою, то елементи живлення/акумуляторні батареї слід ізолювати або дістати з інструмента. У разі витoku електроліту з елементів живлення/акумуляторних батарей інструмент може бути серйозно пошкоджений.

7.5 Служба технічного обслуговування вимірювальних приладів Hilti

Служба технічного обслуговування вимірювальних приладів Hilti перевіряє інструмент та, якщо виявлені відхилення, відновлює його відповідність технічним умовам, після чого проводиться повторна перевірка інструмента. Відповідність технічним умовам на момент перевірки підтверджується письмовим сертифікатом служби технічного обслуговування. Рекомендується:

- Дотримуватися належних інтервалів проведення перевірок залежно від інтенсивності використання інструмента.
- Після інтенсивного використання інструмента та перед виконанням важливих робіт, однак не рідше ніж один раз на рік, слід передавати інструмент до служби технічного обслуговування вимірювальних приладів Hilti для здійснення перевірки.

Перевірка у службі технічного обслуговування вимірювальних приладів Hilti не звільняє користувача від необхідності проведення перевірки інструмента перед його використанням і під час роботи з ним.

7.6 Перевірка точності вимірювання

Щоб інструмент відповідав технічним вимогам, слід регулярно здійснювати його перевірку (принаймні перед кожним значним або відповідальним вимірюванням).

Якщо інструмент впав з великої висоти, слід перевірити його функціональність. За наступних умов інструмент можна вважати таким, що працює точно і без збоїв:

- Висота падіння інструмента не перевищує висоту, зазначену у технічних характеристиках.
- До падіння інструмент працював точно і без збоїв.
- Після падіння інструмент не зазнав механічних пошкоджень (наприклад, поломки пентапризми).
- У робочому режимі інструмент генерує лазерний промінь, що обертається.

8 Допомога у разі виникнення несправностей

У разі виникнення несправностей, які не зазначені у цій таблиці або які Ви не можете полагодити самостійно, зверніться до сервісної служби компанії Hilti.

Несправність	Можлива причина	Рішення
Інструмент не працює.	Акумуляторна батарея вставлена в інструмент не до кінця.	▶ Зафіксуйте акумуляторну батарею із чітко відчутним подвійним клацанням.
	Акумуляторна батарея розряджена.	▶ Замініть акумуляторну батарею та зарядіть розряджену акумуляторну батарею.
Акумуляторна батарея розряджається швидше, ніж звичайно.	Занадто низька температура навколишнього середовища.	▶ Дайте акумуляторній батареї повільно прогрітися до кімнатної температури.
Акумуляторна батарея не зафіксується з чітко відчутним клацанням.	Фіксатори акумуляторної батареї засмічені.	▶ Прочистіть зачіпки фіксаторів та вставте акумуляторну батарею знову.



Несправність	Можлива причина	Рішення
Інструмент або його акумуляторна батарея сильно перегріваються.	Електрична несправність	► негайно вимкніть інструмент, дістаньте акумуляторну батарею, поспостерігайте за нею, дайте їй охолонути, після чого зверніться до сервісної служби компанії Hilti .

9 Утилізація



ПОПЕРЕДЖЕННЯ

Ризик отримання травм внаслідок неналежної утилізації! Небезпека для здоров'я внаслідок контакту з газами або рідинами, що виходять з акумуляторної батареї.

- Пошкоджені акумуляторні батареї забороняється пересилати поштою або кур'єрською службою!
- Закрийте контакти акумуляторних батарей електронепровідним матеріалом, щоб запобігти короткому замиканню.
- Утилізуйте акумуляторні батареї таким чином, щоб вони не потрапили до рук дітей.
- Щоб утилізувати акумуляторну батарею, передайте її до найближчого магазину **Hilti Store** або зверніться до представника відповідної компанії з утилізації відходів.



Більшість матеріалів, з яких виготовлено інструменти компанії **Hilti**, придатні для вторинної переробки. Передумовою для їхньої вторинної переробки є належне сортування відходів за типом матеріалу. У багатьох країнах світу компанія **Hilti** приймає старі інструменти для їхньої утилізації. Щоб отримати додаткову інформацію з цього питання, звертайтеся до сервісної служби компанії **Hilti** або до свого торгового консультанта.

Як зазначено у Директиві Європейського союзу щодо норм утилізації старого електричного і електронного обладнання та щодо узгодження цих норм з національним законодавством, електроінструменти та акумуляторні батареї, термін служби яких закінчився, необхідно збирати окремо і утилізувати екологічно безпечним способом.



- Не викидайте електронні вимірювальні прилади у баки для побутового сміття!

Щоб захистити довкілля від забруднення, утилізуйте інструменти, акумуляторні батареї та елементи живлення згідно з відповідними вимогами, що діють у Вашій країні.

10 Гарантійні зобов'язання виробника

- З питань гарантії, будь ласка, звертайтеся до найближчого партнера компанії **Hilti**.

Түпнұсқа пайдалану бойынша нұсқаулық

1 Пайдалану бойынша нұсқаулық туралы мәліметтер

1.1 Осы пайдалану бойынша нұсқаулық туралы



Импорттауыш және өндірушінің өкілетті ұйымы

- (RU) Ресей Федерациясы
"Хилти Дистрибьюшн ЛТД" АҚ, 141402, Мәскеу облысы, Химки қ., Ленинградская к-сі, 25-бет, 15.26-құрылымы
- (BY) Беларусь Республикасы
"Хилти БиУай" ЖШС, 222750, Минск облысы, Дзержин ауданы, Р-1, 18 км, 2 (Слободка ауылының жанында), 1-34 құрылымы



- (KZ) Қазақстан Республикасы
"Хилти Қазақстан" ЖШС, 050057, Алматы қ., Бостандық ауданы, Тимирязев к-сі, 42/15 үй, литер 012 (15 корпус)
- (KG) Қырғыз Республикасы
"Т AND Т" ЖШҚ, 720021, Қырғызстан, Бішкек қ., Ибраимов көш., 29 А үйі
- (AM) Армения Республикасы
"ЭЙЧ-КОН" ЖШҚ, 0070, Ереван қ., Ерманда Кочар к-сі, 19/28


Өндірілген елі: жабдықтағы белгілеу тақтайшасын қараңыз.

Өндірілген күні: жабдықтағы белгілеу тақтайшасын қараңыз.

Тиісті сертификатты мына мекенжай бойынша табуға болады: www.hilti.kz

Сақтау, тасымалдау және пайдалану шарттарына пайдалану бойынша нұсқаулықта белгіленгеннен басқа арнайы талаптар қойылмайды.

Өнімнің қызмет ету мерзімі 5 жыл.

- Ескерту! Өнімді пайдаланбас бұрын өніммен бірге берілген пайдалану бойынша нұсқаулықты, соның ішінде нұсқаулар, қауіпсіздік және ескерту нұсқаулары, суреттер мен спецификацияларды міндетті түрде оқып шығыңыз және түсініп алыңыз. Барлық нұсқаулар, қауіпсіздік және ескерту нұсқаулары, суреттер, спецификациялар, сондай-ақ құрамдас бөлшектер және функциялармен танысып шығыңыз. Бұл нұсқау орындалмаған жағдайда, ток соғу, өрт және/немесе ауыр жарақат алу қаупі туындайды. Пайдалану бойынша нұсқаулықты, соның ішінде барлық нұсқауларды, қауіпсіздік және ескерту нұсқауларын кейін пайдалану үшін сақтап қойыңыз.
- **HILTI** өнімдері кәсіби пайдаланушыларға арналған және оларды тек қана өкілетті, білікті қызметкерлер пайдалануы, күтім және техникалық қызмет көрсетуі тиіс. Қызметкерлер қауіпсіздік техникасы бойынша арнайы нұсқау алуы керек. Өнім мен оның қосалқы құралдарын басқа мақсатта қолдану немесе олардың оқытылмаған қызметкерлердің тарапынан пайдаланылуы қауіпті.
- Берілген пайдалану бойынша нұсқаулық басып шығарылған мезетте техниканың ағымдағы жағдайына сәйкес келеді. Ағымдағы нұсқау әрдайым Hilti өнімдерінің веб-сайтында қолжетімді. Ол үшін осы пайдалану бойынша нұсқаулықта  деп белгіленген сілтемеге өтіңіз немесе QR кодын сканерлеңіз.
- Өнімді басқа тұлғаларға тек осы пайдалану бойынша нұсқаулықпен бірге беріңіз.

1.2 Шартты белгілердің анықтамасы

1.2.1 Ескерту

Ескертулер өнімді қолдану барысындағы қауіптер туралы ескертеді. Төмендегі сигналдық сөздер пайдаланылады:

ҚАУІПТІ

ҚАУІПТІ !

- ▶ Ауыр жарақаттарға әкелетін немесе өмірге қауіп төндіретін тікелей қауіпті жағдайдың жалпы белгіленуі.

ЕСКЕРТУ

ЕСКЕРТУ !

- ▶ Ауыр жарақаттарға әкелуі немесе өмірге қауіп төндіруі мүмкін ықтимал қауіпті жағдайдың жалпы белгіленуі.

АБАЙЛАҢЫЗ

АБАЙЛАҢЫЗ !

- ▶ Жарақат алуға немесе мүліктің зақымдалуына әкелуі мүмкін ықтимал қауіпті жағдайдың жалпы белгіленуі.

1.2.2 Құжаттамадағы белгілер

Бұл құжаттамада төмендегі белгілер пайдаланылады:



Пайдалану алдында пайдалану бойынша нұсқаулықты оқу қажет



	Аспапты пайдалану бойынша нұсқаулар және басқа пайдалы ақпарат
	Қайта пайдалануға болатын материалдармен жұмыс істеу
	Электр аспаптарды және аккумуляторларды тұрмыстық қоқысқа тастамаңыз

1.2.3 Суреттердегі белгілер

Суреттерде төмендегі белгілер қолданылады:

	Бұл сандар осы нұсқаулықтың басындағы әр суретке сәйкес келеді
3	Нөмірлеу суреттегі жұмыс қадамдарының реттілігін білдіреді және мәтіндегі жұмыс қадамдарынан өзгешеленуі мүмкін
	Позиция нөмірлері Шолу суретінде қолданылады және Өнімге шолу мақаласындағы шартты белгілердің нөмірлеріне сілтейді
	Аталмыш белгілер өнімді қолдану барысында айрықша назарыңызды аудартады.

1.3 Өнімге қатысты белгілер

1.3.1 Өнімдегі белгілер

Өнімде төмендегі белгілер пайдаланылуы мүмкін:

	Өнім iOS және Android платформаларымен үйлесімді сымсыз дерек тасымалдау мүмкіндігіне қолдау көрсетеді.
	Пайдаланылған Hilti литий-ион аккумуляторларының сериясы. Қолдану мақсаты бөліміндегі нұсқауларды орындаңыз.
Li-Ion	Литий-иондық аккумулятор
	Аккумуляторды еш жағдайда соқпа құрал ретінде пайдаланбаңыз.
	Аккумуляторды құлатып жібермеңіз. Соққы тиген немесе басқа жолмен зақымдалған аккумуляторды пайдаланбаңыз.

1.4 Өнім туралы ақпарат

HILTI өнімдері кәсіби пайдаланушыларға арналған және оларды тек қана өкілетті, білікті қызметкерлер пайдалануы, күтім және техникалық қызмет көрсетуі тиіс. Қызметкерлер қауіпсіздік техникасы бойынша арнайы нұсқау алуы керек. Өнім мен оның қосалқы құралдарын басқа мақсатта қолдану немесе олардың оқытылмаған қызметкерлердің тарапынан пайдаланылуы қауіпті.

Түр сипаттамасы мен сериялық нөмір фирмалық тақтайшада берілген.

- ▶ Сериялық нөмірді төмендегі кестеге көшіріп қойыңыз. Өнім туралы мәліметтерді өкілдігімізге немесе қызмет көрсету бөлімімізге сұрау беру арқылы алуға болады.

Өнім туралы мәліметтер

Ротациялық лазер	PR 3-HVSG A12
Буын	02
Сериялық нөмір	

1.5 Сәйкестілік декларациясы

Біз осы нұсқаулықта сипатталған өнімнің қолданыстағы директивалар мен нормативтерге сәйкес келетінін толық жауапкершілікпен жариялаймыз. Сәйкестілік декларациясының суреті осы құжаттаманың соңында орналасқан.

Техникалық құжаттама мына жерде сақталған:

Hilti Entwicklungsgesellschaft mbH | Zulassung Geräte | Hiltistraße 6 | 86916 Kaufering, DE



2.1 Қауіпсіздік техникасы бойынша нұсқаулар**2.1.1 Негізгі қауіпсіздік шаралары**

Сақтық шаралары бойынша барлық нұсқауларды және нұсқауларды оқып шығыңыз. Төменде берілген нұсқауларды орындамау электр тогының соғуына, өртке әкелуі мүмкін және/немесе ауыр жарақаттарды тудыруы мүмкін.

Қауіпсіздік техникасы бойынша барлық нұсқауларды және нұсқауларды келесі пайдаланушы үшін сақтаңыз. Бұдан әрі қолданылатын «электр құрал» термині электр желісінен (желілік кабельмен) және аккумулятордан (желілік кабельсіз) жұмыс істейтін электр құралға қатысты.

2.1.2 Жалпы қауіпсіздік шаралары

- ▶ **Ұқыпты болыңыз, әрекеттеріңізге көңіл бөліңіз және электр құралмен жұмыс істеуге дұрыс қараңыз.** Шаршаған кезде немесе есірткі, алкоголь не дәрі қабылдаған соң электр құралды қолданбаңыз. Электр құралды қолданған кездегі зейінсіздік ауыр жарақаттарға апарып соғуы мүмкін.
- ▶ **Сақтандырығыш құрылғыларды өшірмеңіз және ескертетін жазулар мен белгілерді алмаңыз.**
- ▶ **Аспапты балалар жетпейтін жерде сақтаңыз.**
- ▶ Аспапты қате бұрап шығарғанда 2-кластан асыратын лазерлік сәуле пайда болады. **Аспапты тек Hilti қызмет көрсету бөлімдеріне жөндеуге рұқсат беріңіз.**
- ▶ Лазерлік сәулелер көз деңгейінен айтарлықтай төмен немесе жоғары өтуі керек.
- ▶ **Қоршаған ортаның әсерін ескеріңіз.** Аспапты өрт немесе жарылыс қаупі бар жерде қолданбаңыз.
- ▶ FCC§15.21 директивасы бойынша нұсқау: Hilti компаниясы рұқсат етпеген өзгертулер немесе модификациялар пайдаланушының құрылғыны пайдалану құқықтарын шектеуі мүмкін.
- ▶ **Аспап құлаған жағдайда немесе оған басқа механикалық әсерлер тигізгенде, оның жұмысқа қабілеттілігін тексеру керек.**
- ▶ **Температура кенет өзгерген жағдайда аспап қоршаған орта температурасын қабылдағанша күтіңіз.**
- ▶ **Адаптерлерді және жабдықтарды қолданғанда құрал берік бекітілгеніне міндетті түрде көз жеткізіңіз.**
- ▶ **Дұрыс емес өлшеулерді болдырмау үшін лазерлік сәуленің шығу терезесін таза ұстау керек.**
- ▶ **Аспап құрылыс алаңдарының қатаң жағдайларында қолдануға арналғанымен оған дәл басқа оптикалық және электр құрылғыларына (жорық дүрбісі, көзілдірік, фотоаппарат) сияқты ұқыпты қарау керек.**
- ▶ **Аспап ылғалдың кіруінен қорғалғанмен, тасымалды сөмкеге салу алдында оны құрғатып сүрту керек.**
- ▶ **Маңызды өлшеулер алдында аспапты тексеріңіз.**
- ▶ **Аспап дәлдігін әр кез маңызды өлшеулер алдында тексеріңіз.**
- ▶ **Жұмыс орнын жақсы жарық түсумен қамтамасыз етіңіз.**
- ▶ **Контакттерге тиемеңіз.**
- ▶ **Электр құралының күйін мұқият қадағалаңыз.** Қозғалатын бөліктердің мүлтіксіз қызмет ететінін, олардың жүрісінің жеңілдігін, барлық бөліктердің тұтастығын және аспаптың қызмет етуіне теріс әсер етуі мүмкін зақымдардың жоқ екенін тексеріңіз. Зақымдалған бөлшектерді аспапты іске қоспас бұрын жөндеңіз. Нашар жөнделген аспаптар көптеген жазатайым оқиғалардың себебі болып табылады.

2.1.3 Жұмыс орнын жақсылап жабдықтау

- ▶ **Өлшеу орнын қорғаңыз.** PR 3-HVSG A12 орнатқан кезде сәуленің басқа адамдарға не өзіңізге бағытталмағанына көз жеткізіңіз.
- ▶ **Сатыларды және басқыштарды қолданғанда сақ болыңыз.** Үнемі тұрақты күйді және тепе-теңдікті сақтаңыз.
- ▶ Қайтаратын нысандар немесе беттер жанында орындалған өлшемдер, айнек немесе ұқсас материалдар өлшеу нәтижелерін бұрмалауы мүмкін.
- ▶ **Аспапты тегіс, қозғалмайтын бетте (вибрациялар әсерін тигізбей) орнату керек екенін есте сақтаңыз.**
- ▶ **Аспапты тек техникалық сипаттамаларының шектерінде қолданыңыз.**
- ▶ **Аспапты, қосалқы құралдарды, алынбалы құралдарды және т.б. нұсқауларына сай және дәл осы құрылғылар түрін қолдану бойынша нұсқауларға сай пайдаланыңыз.** Жұмыс шарттарын



және орындалатын әрекеттерді есепке алыңыз. Аспаптарды алдын ала көзделген мақсаттардан тыс қолдану қауіпті жағдайларды тудыруы мүмкін.

- ▶ Өлшеу рейкаларымен жоғары кернеу желілерінің жанында жұмыс істеуге тыйым салынады.
- ▶ Айналада басқа ешбір PR 3-HVSG A12 аспабы қолданылмағанына көз жеткізіңіз. **Инфрақызыл басқару құрылғысы аспабыңызға әсер етуі мүмкін.** Құрылғыны дүркін-дүркін тексеріп тұрыңыз.

2.1.4 Электрмагниттік үйлесімділік

Аспап тиісті директивалардың қатал талаптарына сәйкес келсе де, **Hilti** төмендегілерді есептен шығара алмайды:

- Аспап қатты сәулеленуден бұзылып, жұмыста ақаулықтар пайда болуы мүмкін. Мұндай және басқа да қауіпті жағдайларда бақылау өлшем әрекеттері орындалуы тиіс.
- Аспап басқа аспаптарға (мысалы, ұшақтардағы навигация жүйелеріне) кедергі келтіре алады.

Тек Корея үшін:

Бұл аспап тұрғын аймақта пайда болатын электрмагниттік толқындарға арналған (В класы). Ол негізінде тұрақты жерлерде пайдалануға арналған, бірақ оны басқа аймақтарда да пайдалануға болады.

2.1.5 2-ші лазер класындағы аспап үшін лазерлік жіктеу

Аспап IEC60825--1:2007/EN60825--1:2007 стандарты бойынша 2-ші лазер класына жатады. Бұл аспапты пайдалану қосымша қорғаушы құралдарды қолдануды қажет етпейді.

АБАЙЛАҢЫЗ

Жарақат алу қаупі бар! Лазерлік сәулені адамдарға бағыттауға тыйым салынады.

- ▶ Лазердің жарық көзіне ешқашан тікелей қарамаңыз. Көзге тікелей тиген жағдайда, көзіңізді жауып, басыңызды сәуле диапазонынан шығарыңыз.

2.1.6 Аккумуляторлық аспаптарды мұқият пайдалану

- ▶ **Аккумуляторларды жоғары температуралар, тікелей күн сәулесі мен өрттен алшақ ұстаңыз.** Жарылыс қаупі бар.
- ▶ **Аккумуляторларды бөлшектеуге, қысуға, 80°C (176°F) жоғары температураға дейін қыздыруға және жағуға тыйым салынады.** Өйтпесе өрт, жарылыс немесе күйік қаупі бар.
- ▶ **Аккумуляторға қатты механикалық соққы қолданбаңыз және аккумуляторды лақтырмаңыз.**
- ▶ **Аккумуляторды балалардың қолы жетпейтін жерде сақтау керек.**
- ▶ **Ылғалдың тиюін болдырмаңыз.** Ішке енген ылғалдылық қысқа тұйықталуға әкелуі және нәтижесінде жарылыс не өртке апарып соғуы мүмкін.
- ▶ **Аккумулятормен тиісті емес түрде жұмыс істегенде одан электролит ағып шығуы мүмкін. Оған тиюді болдырмаңыз. Кездейсоқ тигенде сумен шайыңыз. Электролит көзге тигенде дәрігер көмегіне жүгініңіз.** Аккумулятордан ағып шыққан электролит тері тітіркенуін немесе күйіктерді тудыруы мүмкін.
- ▶ **Тек тиісті аспапқа арналған аккумуляторды ғана пайдаланыңыз.** Басқа аккумуляторларды пайдалану немесе аккумуляторларды басқа мақсаттармен пайдалану нәтижесінде өрт не жарылыс қаупі туындайды.
- ▶ Аккумуляторды салқын және құрғақ жерде сақтаңыз. Аккумуляторды күн көзінде, жылыту құралдарында немесе терезе сыртында сақтауға тыйым салынады.
- ▶ **Пайдаланылмайтын аккумуляторларды контактілердің тұйықталуының себебі болуы мүмкін скрепкалардан, тиындардан, кілттерден, инелерден, бұрандалардан және басқа металл заттардан ары ұстаңыз.** Аккумулятор не зарядтағыш құрылғыдағы контактілердің қысқа тұйықталуы күйік не өртке апарып соғуы мүмкін.
- ▶ **Зақымдалған аккумуляторларды (мысалы, сызаттары бар, бөліктері сынған, контактілері бүлінген және/немесе созылған аккумуляторларды) зарядтауға және қайта қолдануға тыйым салынады.**
- ▶ **Аккумуляторды тек өндіруші ұсынған зарядтағыш құрылғылардың көмегімен зарядтаңыз.** Зарядтағыш құрылғыны тиісті емес аккумулятор түрлерін зарядтау үшін қолданғанда өрт туындауы мүмкін.
- ▶ Li-Ion аккумуляторын тасымалдау, сақтау және пайдалану бойынша арнайы нұсқаулардың талаптарын орындаңыз.
- ▶ **Аспапты жүк тиеу алдында аккумуляторлар мен батареяларды оқшаулау немесе аспаптан шығару керек.** Ағып кеткен аккумулятор элементтері аспапты зақымдауы мүмкін.

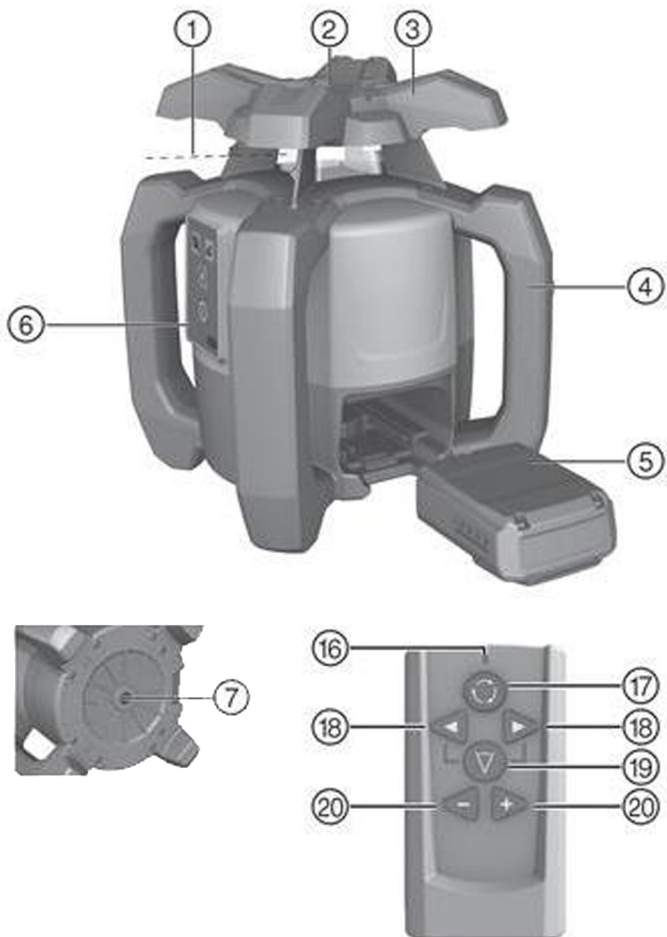


- ▶ Пайдаланылмайтын аккумулятордың ыстық екені сезілгенде, аккумулятордың өзі не аспап пен аккумулятор жүйесі ақаулы болуы мүмкін. Аспапты жанғыш материалдардан алшақ, бақылауға болатын тұтанбайтын жерге қойып, суытыңыз.

3 Сипаттама

3.1 Өнімге шолу

3.1.1 PR 3-HVSG ротациялық лазері



Шартты белгілер

- | | | | |
|---|------------------------------------|---|----------------------------|
| ① | Лазерлік сәуле (ротация жазықтығы) | ④ | Li-Ion аккумуляторы |
| ② | 90° бақылау сәулесі | ⑤ | Басқару панелі |
| ③ | Тұтқыш | ⑥ | 5/8" ирек оймасы бар негіз |

3.1.2 Басқару панелі PR 3-HVSG A12

Шартты белгілер

- | | | | |
|---|-----------------------------------|---|-----------------------------------|
| ⑧ | Жарық диоды: Автоматты нивелирлеу | ⑨ | Түйме: «Антишок» функциясын өшіру |
|---|-----------------------------------|---|-----------------------------------|



- | | |
|---|--------------------------------|
| ⑩ Жарық диоды: «Антишок» функциясын өшіру | ⑬ Түйме: Айналу жылдамдығы |
| ⑪ Жарық диоды: Еңкейту бұрышы | ⑭ Түйме: Қосу/Өшіру |
| ⑫ Түйме: Еңкейту бұрышы | ⑮ Батарея зарядының көрсеткіші |

3.1.3 Қашықтан басқару құралы PRA 2

Шартты белгілер

- | | |
|--|---------------------------|
| ⑯ Жарық диоды: Жіберілген пәрмендер | ⑲ Түйме: Сызықтық функция |
| ⑰ Түйме: Айналу жылдамдығы | ⑳ Сервотүймелер (+/-) |
| ⑱ Түйме: Сызық бағыты (сол жақ/оң жақ) | |

3.2 Мақсатына сай қолдану

Сипатталған өнім айналатын, көрінетін жасыл лазерлік сәулесі және 90°-қа жылжытылған бағыттауыш сәулесі бар айналмалы лазер болып табылады. Ротациялық лазер тік, көлденең және еңкейтулер үшін пайдаланылуы мүмкін. Аспап көлденең биіктік өзгеруі, тік және еңкейген жазықтықтарда және тік бұрыштарда өлшемдерді өлшеу, тасымалдау және тексеруге арналған. Пайдалану мысалдары - метр мен биіктік кесіктерін тасымалдау, қабырғаларда тік бұрыштарды анықтау, негізгі нүктелерге тік бағыттау немесе сәйкес жазықтықтарды жасау болып қалады.

- ▶ Бұл өнім үшін тек Hilti В 12-30 литий-иондық аккумуляторын пайдаланыңыз.
- ▶ Бұл өнім үшін тек Hilti С 4/12-50 зарядтағыш құрылғысын пайдаланыңыз.

3.3 Ерекшеліктері

Аспап бір адамға кез келген жазықтықты тез және дәл нивелирлеуге мүмкіндік береді.

4 түрлі айналу жиілігі бар (0, 90, 300, 600 айн/мин). Нивелирлеу режимінде лазерлік сәуленің айналу жиілігі 300 айн/мин құрайды.

Аспапта келесі жұмыс күйінің көрсеткіштері бар: Автоматты нивелирлеу жарық диоды, еңкейту жарық диоды және «антишок» функциясының жарық диоды.

Бір немесе екі бағытта автоматты нивелирлеу кезінде сервожүйе техникалық сипаттамаға сай дәлдік шектерін сақтауды басқарады. Нивелирлеуге жетпеген кезде (аспап нивелрлеу аймағынан тыс немесе механикалық блоктау) немесе аспап бумадан алынған кезде (діріл/соққы) **автоматты өшіру** орын функциясы қосылады. Өшкеннен кейін сәуленің айналуы тоқтайды, барлық жарық диодтары жыпылықтай бастайды.

Жұмыс қашықтығына және қоршаған орта жарықтығына байланысты **лазерлік сәулені көру мүмкіндігі** шектелуі мүмкін. Нысананың көмегімен көрерлікті жақсартуға болады. Лазерлік сәулелердің көрінісі, мысалы, күн жарығынан төмендетілген кезде, лазер қабылдаушысын (керек-жарақ) пайдалану ұсынылады.

Нивелирлеу

Нивелирленген деңгейге теңестіру ($\pm 5^\circ$) erfolgt аспапты екі кірістірілген сервоқозғалтқыш арқылы қосқаннан кейін автоматты түрде орындалады. Жарық диодтарының жануы сәйкес жұмыс режимдерінің (функциялардың) қосылуы туралы хабарлайды. Аспапты тікелей еденде, штативте немесе қабырға бекіткішінің көмегімен орнатуға рұқсат етіледі.

Тігінен нивелирлеу автоматты түрде іске асырылады. **PRA 2** сервоқозғалтқыштарын +/- басқару түймелерінің көмегімен тік жазықтықты қолмен туралауға (бұрауға) болады.

Еңісті еңкейту режимінде **PRA 2** қашықтан басқару құралы арқылы $\pm 5^\circ$ -қа дейін қолмен реттеуге болады. Я болмаса, еңкейту адаптерімен еңкейтуді реттеу режимінде 60%-ға дейін еңкейтуге болады.

Егер аспап қолдану барысында деңгейден шығып кетсе (діріл/соққы), аспап кірістірілген «**Антишок**» функциясының көмегімен ескерту режиміне ауысады (нивелирлеуге жеткеннен кейін екінші минуттан бастап белсенді). Барлық жарық диодтары жыпылықтайды, аспап басы айналуын тоқтатады және лазер өшеді.

Басқа аспаптармен тіркесім

PRA 2 қашықтан басқару құралы ашық қашықтықтарда ротациялық лазерді ыңғайлы басқаруға мүмкіндік береді. Лазер сәулесін қашықтан басқару құралының көмегімен туралау қосымша мүмкіндігі бар.

Hilti лазер қабылдаушысын үлкен қашықтықтарда лазерлік сәуле индикациясы үшін қолдануға болады. Егжей-тегжейлі ақпарат пайдалану бойынша нұсқаулықта бар.



3.4 Жарық диодты индикаторлар

Ротациялық лазер жарық диодты индикаторлармен жабдықталған.

Құралдың бөлшектері	Сипаттамасы
барлық жарық диодтары жыпылықтайды	Аспапқа соққы тиді немесе нивелирлеу режимінен уақытша шығарылған.
Автоматты нивелирлеу жарық диоды жасыл түспен жыпылықтайды	Аспап нивелирлеу режимінде.
Автоматты нивелирлеу жарық диоды жасыл түспен жанып тұр	Аспап нивелирленді/жұмысқа дайын.
«Антишок» функциясының жарық диоды сарғылт түспен жанып тұр	«Антишок» функциясы өшірілді.
Еңіс индикаторының жарық диоды сарғылт түспен жанып тұр	Еңкейту режимі белсендірілген.

3.5 Li-Ion аккумуляторының зарядтау деңгейінің индикаторы

Литий-иондық аккумулятор зарядтау деңгейінің индикаторымен жабдықталған.

Құралдың бөлшектері	Сипаттамасы
4 жарық диоды жанады.	Зарядтау күйі: 75 % - 100 %
3 жарық диоды жанады.	Зарядтау күйі: 50 % - 75 %
2 жарық диоды жанады.	Зарядтау күйі: 25 % - 50 %
1 жарық диоды жанады.	Зарядтау күйі: 10 % - 25 %
1 жарық диоды жыпылықтайды.	Зарядтау күйі: < 10 %

i Жұмыс істеп тұрған кезде аккумулятордың зарядтау деңгейі аспаптың басқару панелінде көрсетіледі.

Жұмыс істемей тұрған күйде аккумулятордың зарядтау деңгейін босату түймесін түрту арқылы көрсетуге болады.

Зарядтау барысында зарядтау деңгейі аккумулятордағы индикаторда көрсетіледі (зарядтағыш құрылғыны пайдалану бойынша нұсқаулықты қараңыз).

3.6 Жеткізілім жинағы

PR 3-HVSG A12 ротациялық лазері, PRA 2 қашықтан басқару құрылғысы, PRA 54 нысанасы, 2 батарея (AA бөлімдері), 2 өндіруші сертификаты, пайдалану бойынша нұсқаулық.

i Оған қоса өніміңіз үшін рұқсат етілген жүйелік өнімдерді **Hilti Store** дүкенінде немесе мына веб-сайттан табуға болады: www.hilti.group

4 Техникалық деректер

Номиналды кернеу	10,8 В
Номиналды ток	160 мА
Бастапқы нүктенің үстіндегі максималды жұмыс биіктігі	2000 м (6561 фут — 8 дюйм)
Максималды салыстырмалы ауа ылғалдылығы	90%
Әрекет ету диапазоны (диаметр)	150 м
Байланыс диапазоны (PRA 2)	30 м
10 м-дегі дәлдік (MIL-STD-810G бойынша стандартты қоршаған орта шарттарында)	±1 мм
Лазер класы	Көрінеді, 2-ші лазер класы, 510-530 нм/По<4,85 мВт ≥ 300 айн/мин; EN 60825-1:2007; IEC 60825-1:2007
Жұмыс температурасы	-10 °C ... 50 °C



Сақтау температурасы	-25 °C ... 63 °C
Салмағы аккумуляторды B222.6 немесе B 12-30 қоса алғанда	2,4 кг
Құлау сынағының биіктігі (MIL-STD-810G бойынша стандартты қоршаған орта шарттарында)	1,5 м
Тағанның ирек оймасы	5/8 дюйм
IEC 60529 бойынша қорғаныс класы	IP 56

5 Жұмысқа дайындық

5.1 Лазер мен аккумуляторды дұрыс қолдану 3

- ▶ 1-сурет: Көлденең режимде жұмыс істеу.
- ▶ 2-сурет: Еңкейту режимінде лазер басқару панелінің бүйіріне көтерілуі тиіс.
- ▶ 3-сурет: Алып тастау немесе еңкейтілген күйде тасымалдау.
 - ▶ Лазерді аккумулятор бөлімі немесе аккумулятор жоғары қарап тұрмайтындай және ылғал кірмейтіндей етіп ұстаңыз.

Аккумулятордың B12 түрінде қорғаныс класы жоқ. Аккумуляторды жаңбыр мен ылғалдан алшақ ұстаңыз. Hilti ережелеріне сәйкес, аккумуляторды тек оған қатысты өніммен бірге пайдалану және ол үшін батарея бөліміне салу керек.

5.2 Аккумуляторды енгізу 4

АБАЙЛАҢЫЗ

Жарақат алу қаупі Өнімнің кездейсоқ іске қосылуы.

- ▶ Аккумуляторды орнату алдында өнімнің өшірілгеніне көз жеткізіңіз.

АБАЙЛАҢЫЗ

Электрлік қауіп. Кір контактілер қысқа тұйықталуды тудыруы мүмкін.

- ▶ Аккумуляторды орнатпас бұрын аккумулятор мен аспаптың контактілерінде бөгде заттардың жоқ екендігіне көз жеткізіңіз.

АБАЙЛАҢЫЗ

Жарақат алу қаупі. Аккумулятор дұрыс салынбаған кезде, аспап ішінен түсіп қалуы мүмкін.

- ▶ Аккумулятордың түсіп қалуын не басқа қауіптерді болдырмау үшін оның аспап ішіне берік орнатылғанын қадағалаңыз.
- ▶ Аккумуляторды орнатып, аспап ішіне берік орнатылғанына көз жеткізіңіз.

5.3 Аккумуляторды шығару 5

- ▶ Аккумуляторды шығарыңыз.

6 Қызмет көрсету

6.1 Аспапты қосу

- ▶ Қосу/Өшіру түймесін басыңыз.

Қосудан кейін аспап автоматты нивелирлеуді іске қосады. Маңызды өлшеулерден алдын аспап дәлдігін тексеріңіз, әсіресе, ол еденге құлағаннан соң немесе едеттегіден тыс механикалық әсер еткен соң.



6.2 Көлденең жазықтықта жұмыс істеу

1. Аспапты ұстағышқа орнатыңыз.



Ұстағыш ретінде қабырға ұстағышын немесе таянышты пайдалануға болады. Тірек аймағының еңкейту бұрышы максималды $\pm 5^\circ$ болуы керек.

2. Қосу/Өшіру түймесін басыңыз. Автоматты нивелирлеу жарық диоды жасыл болып жыпылықтайды.



Нивелирлеуге қол жеткізген соң лазер сәулесі қосылып, автоматты нивелирлеу жарық диоды үздіксіз жанады.

6.3 Тік жазықтықта жұмыс істеу

1. Аспапты оның басқару панелі алға қарай бағытталатындай жатқызыңыз немесе орнатыңыз.



Орнатылған дәлдікті сақтау мүмкін болуы үшін аспапты тегіс бетке орналастыру керек немесе сәйкесінше штативке немесе басқа сайманға орнату керек.

2. Аспаптың тік осін нысана мен қарауыл көмегімен қалаған бағытта туралаңыз.



Нивелирлеуге қол жеткізген соң лазер сәулесі қосылып, автоматты нивелирлеу жарық диоды үздіксіз жанады.

3. «Қосу/Өшіру» түймесін басыңыз. Нивелирлеуден кейін аспап тік төмен проекцияланатын стационарлық айналатын сәуле бар лазерлік жұмыс режимін іске қосады. Бұл проекцияланатын нүкте тірек нүктесі болып табылады және аспапты орналастыру үшін қызмет етеді.
4. Сәулені бүкіл айналу жазықтығында көру үшін айналу жиілігі түймесін басыңыз.
5. Қашықтан басқару құралының «+» және «-» түймелерімен тік айналатын сәулені оңға және солға 5° -қа дейін бұрышқа жылжытуға болады.

6.4 Еңкейту

Оңтайлы нәтижелерге қол жеткізу үшін PR 3-HVSG A12 лазерінің туралануын қадағалау көмектеседі. Бұған жетудің ең жақсы жолы – аспаптан солға және оңға 5 м-ден (16 фут) алшақ, бірақ оның осіне параллель, 2 нүкте таңдау. Нивелирленген көлденең жазықтықтың биіктігін белгілеңіз, содан кейін еңкейтуден кейінгі биіктікті белгілеңіз. Егер енді екі нүктедегі осы биіктіктер бірдей болса, аспапты туралау оңтайландырылды.

6.4.1 Еңісті қолмен реттеу

1. Нақты тапсырмаға байланысты аспапты, мысалы, тағанға орнатыңыз.
2. Ротациялық лазерді еңкейту жазықтығының жоғарғы немесе төменгі қырында орналастырыңыз.
3. Аспап артында басқару панеліне қарап тұрыңыз.
4. Аспапты дөрекі ретте аспап басындағы нысандық кесік көмегімен еңкейген жазықтықпен қатарлас туралаңыз.
5. Аспапты қосып еңкейту режимінің түймесін басыңыз. Еңкейту режимі жарық диоды жанып тұр. Нивелирлеуден кейін лазерлік сәуле іске қосылады.
6. Жазықтықты еңкейту үшін қашықтан басқару құралының «+» немесе «-» түймесін басыңыз. Я болмаса, сонымен бірге, еңкейту адаптерін (қосалқы құрал) пайдалануға болады.



Еңісті қолмен реттеген кезде, ротациялық лазер жазықтығын бір рет нивелирлеп, содан кейін бір рет бекітеді. Бұл ротациялық лазер еңкейтілген лазер жазықтығын қоршаған ауа шарттарының өзгеруіне және/немесе бекітіштің ұзаруына байланысты болуы мүмкін ауытқуға қатысты тураланбайтынын ескеріңіз. Күні бойы пайда болатын дірілдер, температура өзгерістері мен басқа әсерлер лазер жазықтығының күйіне әсер етуі мүмкін.

7. Стандартты жұмыс режиміне оралу үшін аспапты өшіріп, қайта қосу керек.

6.4.2 Еңісті еңкейту адаптерінің көмегімен реттеу

1. Арнайы еңкейту адаптерін таянышқа орнатыңыз.
2. Тағанды еңкейту жазықтығының жоғарғы немесе төменгі қырында орналастырыңыз.
3. Ротациялық лазерді еңкейту адаптеріне орнатып, PR 3-HVSG A12 басындағы нысандық кесік көмегімен аспапты еңкейту адаптерімен бірге еңкейту жазықтығына қатарлас туралаңыз.



- Еңкейту адаптері бастапқы күйінде болуына көз жеткізіңіз (0°).



PR 3-HVSG A12 басқару панелі еңкейту бағытының қарама-қарсы жағында болуы керек.

- Аспапты қосыңыз.
- Еңкейту режимі түймесін басыңыз. Ротациялық лазер басқару панелінде еңкейту режимінің жарық диоды жанады. Аспап автоматты нивелирлеуді бастайды. Ол жабық болғанда лазер қосылып, айнала бастайды.
- Енді еңкейту адаптерінде қажетті еңкейту бұрышын реттеңіз.



Еңісті қолмен реттеген кезде, ротациялық лазер жазықтығын бір рет нивелирлеп, содан кейін бір рет бекітеді. Бұл ротациялық лазер еңкейтілген лазер жазықтығын қоршаған ауа шарттарының өзгеруіне және/немесе бекіткіштің ұзаруына байланысты болуы мүмкін ауытқуға қатысты тураланбайтынын ескеріңіз. Күні бойы пайда болатын дірілдер, температура өзгерістері мен басқа әсерлер лазер жазықтығының күйіне әсер етуі мүмкін.

6.5 PRA 2 қашықтан басқару құралымен жұмыс істеу

PRA 2 қашықтан басқару құралы ротациялық лазермен жұмысты жеңілдетеді және аспаптың кейбір функцияларын іске қосу үшін пайдаланылады.

Айналу жиілігін таңдау

Ротациялық лазерді қосқаннан кейін әдепкі бойынша 300 айналым/минут айналу жиілігі орнатылады. Баяу айналу жиілігі лазерлік сәулелің жарығырақ әсер етуін тудыруы мүмкін. Тез айналу жиілігі лазерлік сәулелің тұрақты әсер етуін тудырады. Айналу жиілігі түймесін бірнеше рет басу арқылы айналу жиілігі өзгереді.

Сызықтық функцияны таңдау

Сызықтық функция түймесін басып, лазерлік сәуле диапазонын бір сызыққа дейін азайтуға болады. Осының арқасында лазерлік сәуле айтарлықтай жарығырақ болады. Сызықтық функция түймесін көп рет басумен сызық ұзындығын өзгертуге болады. Сызықтың ұзындығы лазерлер мен қабырға/бет арасындағы қашықтыққа байланысты болады. Лазерлік сызықты бағыттау түймелерінің (оң жақ/сол жақ) көмегімен қалауыңызша жылжытуға болады.

6.6 «Антишок» функциясын өшіру

- Аспапты қосыңыз.
- «Антишок» функциясын өшіру түймесін басыңыз. «Антишок» функциясын өшіру тұрақты түрде қосылған жарық диоды функцияның сөндірілгенін білдіреді.
- Стандартты режимге қайту үшін аспапты өшіріп қайта қосыңыз.

6.7 X және Y осьтері бойынша аспап дәлдігін тексеру 3

- Аспапты қабырғадан шамамен 20 м (66 фут) қашықтықта орнатыңыз (штативке орнатуға болады).
- Аспапты тағанға орнатып, аспап басын қабырғада белгіленген мақсатты белгілердің көмегімен туралаңыз.
- Қабылдаушының көмегімен қабырғада нүктені белгілеңіз (1-нүкте).
- Аспапты өз осінің айналасында 90° бұрыңыз. Бұл кезде аспап биіктігі өзгермеуі керек.
- Нысана көмегімен қабырғаға екінші нүктені белгілеңіз (2-нүкте).
- Алдында орындалған екі қадамды тағы екі рет қайталап, нысана көмегімен 3-ші және 4-ші нүктені ұстап алыңыз және қабырғада белгілеңіз.



Мұқият орындағанда 1 және 3 нүктелері (негізгі ось) мен 2 және 4 нүктелерінің (көлденең ось) арасындағы қашықтық 3 мм-ден (20 м үшін) (66 фут үшін 0,12") аспауы керек. Үлкен ауытқу болса, аспапты Hilti сервистік орталығына калибрлеуге жіберіңіз.

6.8 Тік осьті тексеру 9, 10

- Аспапты қабырғадан шамамен 20 м (66 фут) қашықтықта мүмкіндігінше тегіс негізге тік қояы.
- Аспап тұтқаларын қабырғаға параллель етіп туралаңыз.
- Аспапты қосыңыз және негізде (R) тірек нүктесін белгілеңіз.
- Қабылдаушы көмегімен (A) нүктесін қабырға басында белгілеңіз. (Орташа жылдамдықты таңдаңыз).
- Нысана көмегімен шамамен 10 м (33 фут) биіктікте (B) нүктесін белгілеу.



6. Аспапты 180° бұраңыз және негіздегі (R) тірек нүктесі мен қабырғада белгіленген төменгі (A) нүктесі бойынша туралаңыз.
7. Қабылдаушы көмегімен шамамен 10 м (33 фут) биіктікте (C) нүктесін белгілеңіз.



Мұқият орындағанда белгіленген (B) және (C) нүктелерінің екеуінің де арасындағы көлденеңінен қашықтық 2 мм-ден (10 м үшін) (33 фут үшін 0,08") азырақ болуы керек. Қатты ауытқу болғанда: Аспапты Hilti сервистік орталығына калибрлеуге жіберіңіз.

7 Күтім, техникалық қызмет көрсету, тасымалдау және сақтау

7.1 Тазалау және кептіру

- ▶ Лазерлік сәуленің шығу терезесінен шаңды үрлеп шығарыңыз.
- ▶ Лазерлік сәуленің шығу терезесіне саусақпен тиеңіз.
- ▶ Аспапты тек таза және жұмсақ шүберекпен тазалаңыз. Қажет болса, шүберекті таза спиртпен немесе аздап сумен сулаңыз.



Бұдыр тазалау құралы әйнекті қырып, аспап дәлдігіне әсер етуі мүмкін. Спирт не судан басқа ешқандай сұйықтықтарды пайдаланбаңыз, өйткені олар пластмасса бөлшектерін зақымдауы мүмкін.

Жабдықты температураның шекті мәндерін сақтап кептіріңіз.

7.2 Сақтау

- ▶ Аспапты ылғалды күйінде сақтамаңыз. Оны жүктеп салу және сақтау алдында кептіріңіз.
- ▶ Сақтау алдында әрдайым аспапты, тасымалдауға арналған контейнер мен керек-жарақтарды тазалаңыз.
- ▶ Аспапты ұзақ сақтаудан немесе тасымалдаудан кейін оны қолдану алдында сынақ өлшеуін жүргізіңіз.
- ▶ Жабдығыңызды сақтаған кезде, әсіресе жабдықты көліктің ішінде сақтаған кезде температураның шекті мәніне назар аударыңыз.

7.3 Li-Ion аккумуляторына қызмет көрсету

- ▶ **Аккумуляторды таза күйде және май мен жағармайдан бос ұстаңыз. Құрамында силиконы бар тазалау заттарын қолдануға тыйым салынады.**
- ▶ Сыртқы жағын сәл суланған шүберекпен жиі тазалаңыз.
- ▶ Ылғалдың тиюін болдырмаңыз.
- ▶ Аккумуляторды Hilti компаниясы мақұлдаған литий-ионды аккумуляторларға арналған зарядтағыш құрылғылармен зарядтаңыз.

7.4 Тасымалдау

Li-Ion аккумуляторын тасымалдау, сақтау және пайдалану бойынша арнайы нұсқаулардың талаптарын орындаңыз.

Аспапты жүк тиеу алдында аккумуляторлар мен батареяларды оқшаулау немесе аспаптан шығару керек. Ағып кеткен батарея/аккумулятор элементтері аспапты зақымдауы мүмкін.

7.5 Hilti өлшеу жүйелерінің қызмет көрсету бөлімі

Hilti өлшеу жүйелерінің қызмет көрсету бөлімі тексерісті өткізеді және ауытқу пайда болған жағдайда, қайта орнатуды орындайды және аспаптың сипаттамаға сәйкестігін тексереді. Сынақ өткізу кезіндегі сипаттамаға сәйкестік қызмет көрсету сертификатында жазбаша түрде расталады. Төмендегілер ұсынылады:

- Жарамды тексеру аралығын пайдалануға сәйкес таңдаңыз.
- Аспапқа күтілмеген жүктеме түскен соң, маңызды жұмыстар орындамас бұрын, сонда да кем дегенде жыл сайын Hilti өлшеу жүйелерінің қызмет көрсету бөлімінде тексерістерді орындау қажет.

Hilti өлшеу жүйелерінің қызмет көрсету бөлімі өткізетін тексеріс пайдаланушыны қолдану алдында және қолдану кезінде аспапты тексеруден босатпайды.



7.6 Өлшем дәлдігін тексеру

Техникалық шарттарға сәйкестікке кепілдік беру мақсатында аспапты тұрақты аралықтарда (кемінде үлкен/релевантты өлшемді орындау алдында) тексеру керек.

Аспап үлкен биіктіктен құлаған соң аспаптың жұмысқа қабілеттілігін зерттеу керек. Төмендегі шарттарда аспаптың ақаусыз қызмет етуі қамтамасыз етілуі мүмкін:

- Құлау кезінде техникалық сипаттамаларда берілген құлау биіктігінен асырылмайды.
- Аспап құлаудан бұрын ақаусыз жұмыс істеген.
- Құлау кезінде аспап механикалық түрде зақымдалмаған (мысалы, Penta призмалары сынбаған).
- Аспап пайдалануда ротациялық лазер сәулесін шығарып жатыр.

8 Ақаулықтардағы көмек

Бұл кестеде келтірілмеген немесе өзіңіз түзете алмайтын ақаулықтар орын алғанда, **Hilti** сервис орталығына хабарласыңыз.

Ақаулық	Ықтимал себеп	Шешім
Аспап жұмыс істемейді.	Аккумулятор толығымен салынбаған.	▶ Аккумуляторды қос шырт өткен дыбыс естілгенше бекітіңіз.
	Аккумулятор заряды бос.	▶ Аккумуляторды алмастырып, бос аккумуляторды зарядтаңыз.
Аккумулятор заряды әдеттегіден жылдам бітеді.	Қоршаған орта температурасы тым төмен.	▶ Аккумуляторды бөлме температурасында ұзақ уақыт бойы жылытыңыз.
Аккумулятор естілетін шырт ету дыбысымен бекітілмейді.	Аккумулятордағы құлып шоқылары кірленген.	▶ Тіреуіш шығыңқы жерлерін тазалаңыз және аккумуляторды қайтадан салыңыз.
Аспапта немесе аккумуляторда қатты қызу пайда болды.	Электр бөлігі бойынша ақаулық	▶ Аспапты бірден өшіріңіз, аккумуляторды шығарыңыз, оны қадағалап, салқындауына мүмкіндік беріңіз және Hilti сервис орталығына хабарласыңыз.

9 Көдеге жарату

ЕСКЕРТУ

Қате жолмен көдеге жаратудан жарақат алу қаупі бар! Газдардың немесе сұйықтықтардың шығуынан денсаулыққа зиян келтіру қаупі бар.

- ▶ Зақымдалған аккумуляторларды жіберуге немесе жөнелтуге болмайды!
- ▶ Қысқа тұйықталуға жол бермеу үшін, қосылымдарды ток өткізбейтін материалмен жауып қойыңыз.
- ▶ Аккумуляторларды балалардың қолына жетпейтіндей етіп көдеге жаратыңыз.
- ▶ Аккумуляторды **Hilti Store** дүкенінде көдеге жаратыңыз немесе жергілікті көдеге жарату кәсіпорнына хабарласыңыз.

Hilti аспаптары қайта өңдеу үшін жарамды көптеген материалдардың санынан тұрады. Көдеге жарату алдында материалдарды мұқият сұрыптау керек. Көптеген елдерде **Hilti** компаниясы ескі аспабыңызды қайта өңдеу үшін қайта қабылдайды. **Hilti** қызмет көрсету орталығынан немесе дилеріңізден сұраңыз.

Ескі электрлік және электрондық аспаптарды жою туралы ЕС еуропалық директивасына және жергілікті заңдарға сәйкес, қолданыста болған электрлік құралдар мен аккумуляторлар қоршаған орта үшін қауіпсіз әдіспен жеке көдеге жаратылуы тиіс.



- ▶ Электр құралдарды көдімгі қоқыспен бірге тастамаңыз!

Қоршаған ортаға зиянын болдырмау үшін, аспаптар, аккумуляторлар мен батареялар әр елде қолданыстағы тиісті нормативтерге сәйкес көдеге жаратылуы тиіс.



► Кепілдік шарттары туралы сұрақтарыңыз болса, жергілікті Hilti серіктесіне жолығыңыз.

オリジナル取扱説明書

1 取扱説明書について

1.1 本取扱説明書について

- **警告事項!** 本製品をご使用になる前に、同梱の取扱説明書と指示事項、安全上の注意、警告表示、図および製品仕様を読んで、その内容を理解を理解してください。特に、すべての指示事項、安全上の注意、警告表示、図、製品仕様、構成部品と機能に精通しているようにしてください。これを怠ると、感電、火災、および / または重傷事故の危険があります。後日確認できるように、取扱説明書とすべての指示事項、安全上の注意、警告表示を保管しておいてください。
- **HILTI** 製品はプロ仕様で製作されており、その使用、保守、修理を行うのは、認定を受けトレーニングされた人のみに限ります。これらの人は、遭遇し得る危険に関する情報を入手していなければなりません。製品およびアクセサリーの使用法を知らない者による誤使用、あるいは規定外の使用は危険です。
- 製品に同梱されている取扱説明書は、印刷の時点で最新の技術状況を反映しています。オンラインの Hilti 製品ページで常に最新バージョンをご確認ください。これについては、本取扱説明書のリンク、または QR コード (📱 の記号) に従ってください。
- 他の人が使用する場合には、本製品とともにこの取扱説明書を一緒にお渡しください。

1.2 記号の説明

1.2.1 警告表示

警告表示は製品の取扱いにおける危険について警告するものです。以下の注意喚起語が使用されています：

危険

危険！

- この表記は、重傷あるいは死亡事故につながる危険性がある場合に注意を促すために使われます。

警告

警告！

- この表記は、重傷あるいは死亡事故につながる可能性がある場合に注意を促すために使われます。

注意

注意！

- この表記は、身体の負傷あるいは物財の損傷が発生する可能性がある場合に使われます。

1.2.2 本書の記号

本書では、以下の記号が使用されています：

	使用前に取扱説明書をお読みください
	本製品を効率良く取り扱うための注意事項や役に立つ情報
	リサイクル可能な部品の取扱い
	工具およびバッテリーを一般ゴミとして廃棄してはなりません

1.2.3 図中の記号

図中では以下の記号が使用されています：

- 2** この数字は本取扱説明書冒頭にある該当図を示しています



3	付番は図中の作業手順の順序に対応していて、本文の作業手順とは一致しない場合があります
⑪	概要図には項目番号が付されていて、製品概要セクションの凡例の番号に対応しています
	この記号は、製品の取扱いの際に特に注意が必要なことを示しています。

1.3 製品により異なる記号

1.3.1 製品に表示されている記号

製品には以下の記号が使用されている場合があります：

	本製品は、iOS および Android プラットフォームと互換性のある無線データ転送をサポートしています。
	使用されているHilti Li-Ion バッテリーのモデルシリーズ。正しい使用の章の記載に注意してください。
Li-Ion	Li-Ionen バッテリー
	バッテリーは決して打撃工具として使用しないでください。
	バッテリーは落下させないでください。ぶつけたり、あるいはその他の理由で損傷しているバッテリーは使用しないでください。

1.4 製品情報

HILTI 製品はプロ仕様で製作されており、その使用、保守、修理を行うのは、認定を受けトレーニングされた人のみに限ります。これらの人は、遭遇し得る危険に関する情報を入手していなければなりません。製品およびアクセサリの使用法を知らない者による誤使用、あるいは規定外の使用は危険です。機種名および製造番号は銘板に表示されています。

▶ 製造番号を以下の表に書き写しておいてください。ヒルティ代理店やサービスセンターへお問い合わせの際には、製品データが必要になります。

製品データ

回転レーザー	PR 3-HVSG A12
製品世代	02
製造番号：	

1.5 適合宣言

当社は、単独の責任において本書で説明している製品が有効な基準と標準規格に適合していることを宣言します。適合宣言書の複写は本書の末尾にあります。

技術資料は本書の後続の頁に記載されています：

Hilti Entwicklungsgesellschaft mbH | Zulassung Geräte | Hiltistraße 6 | 86916 Kaufering, JA

2 安全

2.1 安全上の注意

2.1.1 基本的な安全注意事項

安全上の注意および指示事項をすべてお読みください。これらを守らないと、感電、火災および/または重傷事故の危険があります。

安全上の注意と取扱いに関する指示はすべて保管し、いつでも確認できるようにしておいてください。安全上の注意で使用する用語「電動工具」とは、電源コードを使用する電動工具および電源コードを使用しないバッテリー駆動式の電動工具を指します。

2.1.2 一般的な安全対策

- ▶ 電動工具を使用の際には、油断せずに十分注意し、常識をもった作業をおこなってください。疲れている場合、薬物、医薬品服用およびアルコール飲用による影響下にある場合には電動工具を使用しないでください。電動工具使用中の瞬間の不注意が重傷の原因となることがあります。
- ▶ 安全機構を無効にしたり、注意事項や警告事項のステッカーをはがしたりしないでください。



- ▶ 本体を子供の手の届かない所に置いてください。
- ▶ 誤った手順で本体を操作すると、クラス2を超えるレーザーが放射されることがあります。修理は必ず、ヒルティサービスセンターに依頼してください。
- ▶ レーザー光線は目の高さより上か下にくるようにしてください。
- ▶ 周囲状況を考慮してください。火災や爆発の恐れがあるような状況では、本体を使用しないでください。
- ▶ FCC § 15.21 に準拠した注意事項：ヒルティの認可のない改造や変更を行うと、ユーザーは本体を操作する権利を失うことがあります。
- ▶ もし本体が落下やその他の機械的な圧力を受けた場合は、本体の作動と精度をチェックしてください。
- ▶ 極度に低温の場所から高温の場所に移す場合、あるいはその逆の場合は、本体温度が周囲温度と同じになるまで待ってから使用してください。
- ▶ アダプターおよびアクセサリーを使用するときは、本体がしっかり固定されていることを確認してください。
- ▶ 不正確な測定を避けるために、レーザー光線の照射窓は常にきれいにしておいてください。
- ▶ 本体は現場仕様に設計されていますが、他の光学および電子機器（双眼鏡、眼鏡、カメラなど）と同様、取り扱いには注意してください。
- ▶ 本体は防湿になっていますが、本体ケースに入れる前に必ず水気を拭き取り、乾いた状態で保管してください。
- ▶ 重要な測定前には、本体を点検してください。
- ▶ 使用中に照射精度を何度か点検してください。
- ▶ 作業場の採光に十分配慮してください。
- ▶ 電気接点に触れないでください。
- ▶ 本体のお手入れは慎重におこなってください。本体の可動部分が引っ掛かりなく正常に作動しているか、本体の運転に影響を及ぼす各部分が破損・損傷していないかを確認してください。本体を再度ご使用になる前に、損傷部分の修理を依頼してください。発生事故の多くは、本体の保守管理が不十分なことに起因しています。

2.1.3 作業場の安全確保

- ▶ 測定場所には保護対策を施してください。PR 3-HVSG A12 の設置の際には、光線が他の人あるいは自分自身に向けられていないことを確認してください。
- ▶ 梯子や足場の上で作業を行うときは、不安定な態勢にならないように注意してください。足元を確かにし、常にバランスを保ちながら作業してください。
- ▶ 反射のある物体あるいは表面付近での測定、ガラスあるいはそれに類似する物質を通しては、正確な測定結果が得られない可能性があります。
- ▶ 本体は振動のないしっかりとした土台の上に設置してください。
- ▶ 本体は必ず決められた使用制限内で使用してください。
- ▶ 本説明書内の指示に従うとともに、各形式に合った工具、アクセサリー、先端工具を使用してください。その際には、作業状況と実行する作業について考慮してください。本体や工具を指定された用途以外に使用すると危険な状況をまねく恐れがあります。
- ▶ 高圧配線の近くではスタッフを使用した作業は許可されません。
- ▶ 周囲で他のPR 3-HVSG A12 が使用されていないことを確認してください。赤外線制御機構はお客様の機器に影響を及ぼす可能性があります。時々装置を点検してください。

2.1.4 電磁波適合性

本体は関連規則の厳しい要求事項に適合するように設計されていますが、Hilti は下記のような事態の発生可能性を完全に排除できません：

- 本体は、強力な放射による影響を受けて誤作動する可能性があります。
このような場合、およびその他の不確実性が考えられる場合は、検査測定を行う必要があります。
- 本体は、他の装置（航空機の航法システムなど）に影響を与える可能性があります。

韓国のみ：

この機器は、住宅区域で発生する電磁波に適したものです（クラス B）。基本的に住宅区域での使用を想定していますが、他の区域で使用することも可能です。

2.1.5 クラス2の本体のレーザー分類

本体は、IEC60825-1:2007 / EN60825-1:2007 に準拠するレーザークラス2に該当します。本体の使用にあたっては特別な保護装置は必要ありません。



⚠ 注意

負傷の危険！ レーザー光線を人に向けしないでください。

- ▶ 決してレーザーの光源を覗き込まないでください。直接眼にあたった場合は、眼を閉じて頭部を照射範囲外にずらしてください。

2.1.6 充電式工具の慎重な使用

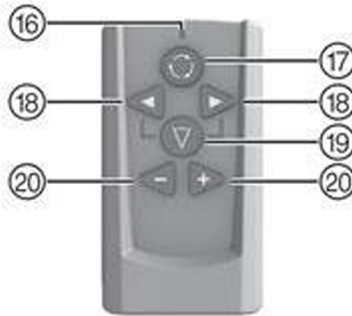
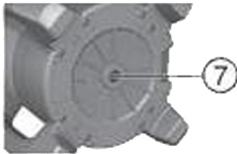
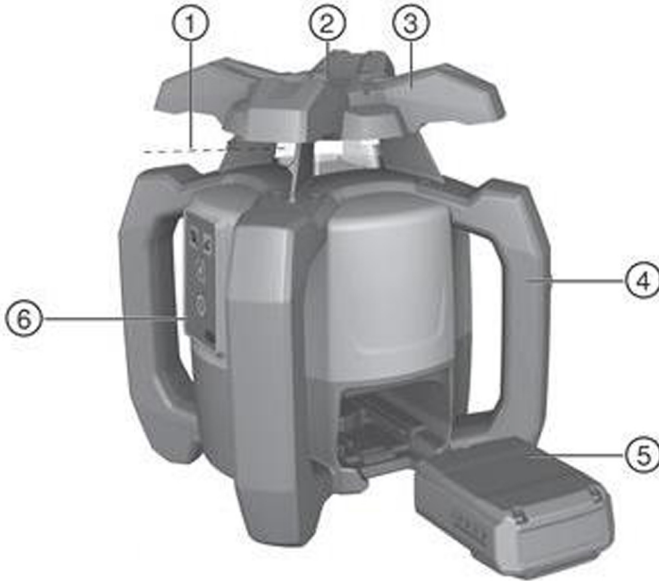
- ▶ バッテリーは高温、直射日光および火気を避けて保管してください。爆発の恐れがあります。
- ▶ バッテリーを分解したり、挟んだり、80 °C (176°F) 以上に加熱したり、燃やしたりしないでください。これを守らないと、火事、爆発、腐食の危険があります。
- ▶ バッテリーに強い機械的な衝撃を与えないでください、またバッテリーを投げないでください。
- ▶ バッテリーは子供の手の届かないところに置いてください。
- ▶ 湿気が入らないようにしてください。湿気が浸入すると短絡を引き起こしたり、火傷や火災が発生する可能性があります。
- ▶ 正しく使用しないと、バッテリーからの液漏れが発生することがあります。その場合、漏れた液には触れないでください。もしも触れてしまった場合は、水で洗い流してください。バッテリー液が眼に入った場合は、水で洗い流してから医師の診察を受けてください。流出したバッテリー液により、皮膚が刺激を受けたり火傷を負う恐れがあります。
- ▶ 必ず本体用に許可されたバッテリーのみを使用してください。その他のバッテリーを使用したり、他の目的でバッテリーを使用すると、火災や爆発の危険があります。
- ▶ バッテリーを使用しない場合は、できるだけ涼しくて乾燥した場所に保管してください。バッテリーを太陽の直射下、ラジエーターの上、窓際等で保管しないでください。
- ▶ 使用しないバッテリーまたは充電器の近くに、事務用クリップ、硬貨、キー、釘、ネジ、その他の小さな金属片を置かないでください。バッテリーまたは充電器の電気接点の短絡の原因となることがあります。バッテリーまたは充電器の接点で短絡が発生すると、火傷や火災が発生する危険があります。
- ▶ 損傷したバッテリー（例えば亀裂や破損箇所があったり、電気接点が曲がっていたり、押し戻されていたり、引き抜かれているバッテリー）は、充電することも、そのまま使用を続けることもできません。
- ▶ バッテリーを充電する場合は、必ずメーカー推奨の充電器を使用してください。特定タイプのバッテリー専用の充電器を他のバッテリーに使用すると、火災の恐れがあります。
- ▶ Li-Ion バッテリーの搬送、保管、作動については特別規定を守ってください。
- ▶ 本体を送付する場合は、バッテリーを絶縁するかあるいは本体から取り外す必要があります。バッテリーから流れ出た液体で、本体に損傷を与える可能性があります。
- ▶ 作動していないバッテリーが手を触れるとそれと分かるほどに熱くなっている場合は、バッテリー、または本体およびバッテリーのシステムが故障している可能性があります。本体を監視可能な火気のない場所に可燃性の資材から十分に距離をとって置き、冷ましてください。



3 製品の説明

3.1 製品概要

3.1.1 PR 3-HVSG 回転レーザー



凡例

- ① レーザービーム (回転面)
- ② 90° 基準レーザービーム
- ③ グリップ

- ④ Li-Ion バッテリー
- ⑤ 操作パネル
- ⑥ 5/8" ネジ付きベースプレート

3.1.2 PR 3-HVSG A12 操作パネル

凡例

- ⑧ LED: 自動整準
- ⑨ ボタン: ショック警告システム非作動
- ⑩ LED: ショック警告システム非作動
- ⑪ LED: 傾斜角度

- ⑫ ボタン: 傾斜角度
- ⑬ ボタン: 回転速度
- ⑭ ボタン: オン / オフ
- ⑮ 電池寿命表示



3.1.3 PRA 2 リモートコントロールユニット 2

凡例

- | | |
|-------------------------|----------------|
| ⑯ LED: コマンド送信 | ⑲ ボタン: ラインモード |
| ⑰ ボタン: 回転速度 | ⑳ サーボボタン (+/-) |
| ⑱ ボタン: ラインビーム方向 (左 / 右) | |

3.2 正しい使用

本書で説明されている製品はヘッドを回転させながら可視緑色レーザービームを照射する回転レーザーで、回転面に対して 90° の角度で照射される基準レーザービームを備えています。この回転レーザーは垂直方向、水平方向、および傾斜方向で使用することができます。本体は、水平位置合わせ、垂直面と傾斜面、直角の測定、写しおよびチェックを行うためのものです。たとえば、水平墨の写し、壁面での直角の決定、基準ポイントに対する垂直位置決め、傾斜面の設定などの用途が考えられます。

- ▶ 本製品には、必ず **Hilti B 12/2.6** または **B 12-30 Li-Ion** バッテリーを使用してください。
- ▶ 本製品には、必ず **Hilti C 4/12-50** 充電器を使用してください。

3.3 特徴

本体を使用すると、一人作業で迅速、正確なレベル出しや芯出しが可能となります。

4 種類の回転速度 (0、90、300、600 min⁻¹) があります。プリセットされている回転速度は 300 min⁻¹ です。本体の動作状態表示用として以下の LED があります。自動整準 LED、傾斜角 LED、ショック警告システム LED。

一方向または両方向の自動レベル設定の場合、サーボシステムは本体が仕様精度内にあるかどうかを監視します。整準範囲に達しない場合 (本体が整準範囲外にある、または機械的なロック) や本体が曇出しから外れた場合 (振動 / 衝撃)、自動シャットオフが作動します。システムが停止すると、ヘッドの回転が停止してすべての LED が点滅します。

レーザービームの届く距離と周囲の明るさに応じて、レーザービームの視認性が制限されることがあります。ターゲット板を使用して視認性を改善することができます。太陽光などによりレーザービームの視認性が低下している場合は、レーザーレシーバー (アクセサリ) を使用することをお勧めします。

整準

本体の電源を入れると、2 個の内蔵サーボモーターが作動して、**水平面の整準 (±5°)** が行われます。各 LED は運転状態を示します。本体は直接作業面に据え付けるか、三脚または適切なマウントに取り付けます。

垂直方向の整準は自動的に行われます。**PRA 2** リモートコントロールユニットの +/- ボタンを押して、立ちを手動で整準 (回転) することができます。

傾斜は、傾斜モードにおいて **PRA 2** リモートコントロールユニットにより ±5° の範囲で手動で設定できます。これに代えて、傾斜モードにおいてスローアダプターにより 60% まで傾斜させることもできます。

本体が動作中に整準範囲から外れた場合 (振動 / 衝撃)、本体は内蔵のショック警告システムにより警告モードに切り換わります (整準到達の 2 分後から有効)。すべての LED が点滅し、ヘッドは回転しなくなり、レーザーはオフになります。

他の装置との組み合わせ

PRA 2 リモートコントロールユニットを使用することにより、回転レーザーを離れた所から快適に操作することができます。さらにリモートコントロール機能によりレーザーの整準も可能です。

Hilti レーザーレシーバーを使用すると、レーザービームをより遠い距離で確実に受光することができます。詳しい情報は、レーザーレシーバーの取扱説明書をご覧ください。

3.4 LED インジケーター

回転レーザーは LED インジケーターを装備しています。

状態	意味
すべての LED が点滅	本体が衝撃を受けたか、整準範囲から外れたか、故障が発生しています。
自動整準 LED が緑で点滅	本体は自動整準中です。
自動整準 LED が緑で連続点灯	本体の整準が完了 / 正常に作動しています。
ショック警告システム LED がオレンジで連続点灯	ショック警告システムが非作動になっています。
傾斜表示 LED がオレンジで連続点灯	傾斜モードが作動しています。



3.5 Li-Ion バッテリーの充電状態インジケータ

Li-Ion バッテリーには充電状態インジケータが装備されています。

状態	意味
4 個の LED が点灯。	充電状態 : 75 %...100 %
3 個の LED が点灯。	充電状態 : 50 %...75 %
2 個の LED が点灯。	充電状態 : 25 %...50 %
1 個の LED が点灯。	充電状態 : 10 %...25 %
1 個の LED が点滅。	充電状態 : < 10 %

- i** 作業中は、本体の操作パネルにバッテリーの充電状態が表示されます。非作動時には、リリースボタンを押すと充電状況を表示させることができます。充電中は、バッテリーのインジケータで充電状態が示されます（充電器の取扱説明書を参照してください）。

3.6 本体標準セット構成

PR 3-HVSG A12 回転レーザー、PRA 2 リモートコントロールユニット、PRA 54 ターゲット板、電池 2 本（単 3 電池）、製造証明書 2 枚、取扱説明書。

- i** その他のご使用の製品用に許可されたシステム製品については、弊社営業担当または **Hilti Store** にお問い合わせいただくか、あるいは www.hilti.group でご確認ください。

4 製品仕様

電源電圧	10.8 V
消費電流	160 mA
基準高度に基づく最大使用高度	2,000 m (6,561 ft - 8 in)
最大相対湿度	90 %
レーザーの有効測定距離（直径）	150 m
有効通信距離（PRA 2）	30 m
10 m での精度（MIL-STD-810G による標準環境条件における）	±1 mm
レーザークラス	可視、レーザークラス 2、 510...530 nm/Po<4.85 mW ≥ 300/min、EN 60825-1:2007、IEC 60825-1:2007
動作温度	-10 °C ... 50 °C
保管温度	-25 °C ... 63 °C
重量 B222.6 または B 12-30 バッテリーを含む	2.4 kg
落下試験高さ（MIL-STD-810G による標準環境条件における）	1.5 m
三脚取付ネジ	5/8 in
IEC 60529 準拠保護等級	IP 56

5 ご使用前に

5.1 レーザーおよびバッテリーの正しい取扱い

- ▶ 図 1: 水平モードでの作業。
- ▶ 図 2: 傾斜モードでは、操作パネルの側でレーザーを高くする必要があります。



- ▶ 図 3: 傾いた状態での保管または搬送。
 - ▶ レーザーは、バッテリー収納部またはバッテリーが上を向かず、湿気が入り込むことのない状態で保持してください。

i B12 タイプのバッテリーには保護等級が設定されていません。バッテリーを雨や湿気から保護してください。Hilti の基準に従い、バッテリーは必ずそれに対応した製品とともに使用するものとし、バッテリー収納部に装着する必要があります。

5.2 バッテリーを装着する

注意

負傷の危険 製品は意図せず作動することがあります。

- ▶ バッテリーを装着する前に、製品のスイッチがオフになっていることを確認してください。

注意

電気的な危険。電気接点汚れていると短絡が発生することがあります。

- ▶ バッテリーを装着する前に、バッテリーおよび本体の電気接点に異物の挟まっていないことを確認してください。

注意

負傷の危険。バッテリーが正しく装着されていないと落下することがあります。

- ▶ バッテリーが確実に本体に固定され、落下して作業員および他の人が危険にさらされることがないか、確認してください。
- ▶ バッテリーを装着し、本体にバッテリーがしっかりと固定されていることを確認してください。

5.3 バッテリーを取り外す

- ▶ バッテリーを取り外します。

6 ご使用方法

6.1 本体の電源をオンにする

- ▶ 「ON/OFF」ボタンを押して、本体の電源をオンにします。

i 電源が入ると本体は自動整準を開始します。
重要な測定の前、また特に本体を床に落下させてしまった場合、あるいは本体に好ましくない機械的な外力が作用した場合には、本体の測定精度を点検してください。

6.2 水平モード

1. 本体を支持具に取り付けます。

i ウォールマウントまたは三脚を支持具として使用することができます。設置面の傾斜角は最大±5°です。

2. 「ON/OFF」ボタンを押します。緑の自動整準 LED が点滅します。

i 整準が完了するとレーザービームが照射されて回転し、自動整準 LED は連続点灯します。

6.3 垂直モードで作業する

1. 本体を置くかあるいは三脚などに取り付けて、本体の操作パネルが上方を向くようにします。

i 仕様精度が守られるように、本体は平坦な面に置くか、三脚や他のアクセサリ上に適切に取り付けてください。

2. 本体の垂直軸を照門と照星により希望の方向に合わせます。

i 整準が完了するとレーザービームが照射されて回転し、自動整準 LED は連続点灯します。



- 「ON/OFF」ボタンを押して、本体の電源をオンにします。整準後に本体が、静止した下向き（垂直方向）の回転ビームでレーザーモードを開始します。ビームが照射されたポイントが基準ポイントとなり、本体の位置合わせに使用されます。
- 全回転面のビームを見るには、回転速度ボタンを押してください。
- リモートコントロールユニットの「+」および「-」ボタンにより、垂直回転ビームを左右に 5° まで動かすことができます。

6.4 傾斜

最適な測定結果を得るには、PR 3-HVSG A12 の整準をチェックすることが効果的です。これを最適に行うには、本体からそれぞれ左右 5 m (16 ft) のところに、本体の軸に平行になるように 2 つのポイントを決めます。レベル出しされた水平面の高さをケガき、その後傾斜に応じて高さをケガきます。両方のポイントのこの高さが一致した場合にのみ、本体は最適に整準されていることになります。

6.4.1 傾斜を手動設定する

- 本体を三脚などにしっかりとセットします。
- 回転レーザーを傾斜面の上辺または下辺に位置決めしてください。
- 操作パネルを確認できる状態で本体の後方に立ってください。
- 本体のヘッドのターゲット切込みを使用して、本体をおおまかに傾斜面に平行に合わせます。
- 本体の電源をオンにして、傾斜モードボタンを押します。傾斜モード LED が点灯します。整準が完了するとレーザービームがオンになります。
- 水平面を傾斜させるには、「+」または「-」ボタンを押してください。これに代えて、スロープアダプター（アクセサリ）を使用することもできます。



手動傾斜設定では回転レーザーはレーザーレベルを 1 回整準し、続いてこれを 1 回固定設定します。この回転レーザーが、環境条件の変化および / または固定具の移動に起因して生じ得るずれに対して傾斜レーザーレベルを調整することのないよう注意してください。時間の経過とともに発生し得る振動、温度変化、その他の要因は、レーザーレベルの位置に影響を与えることがあります。

- 自動整準モードに戻るには、本体の電源を一度オフにしてから再びオンにしてください。

6.4.2 スロープアダプターを用いて傾斜を設定する

- 適切なスロープアダプターをを三脚に装着します。
- 三脚を傾斜面の上辺または下辺に位置決めしてください。
- 回転レーザーをスロープアダプターに取り付け、PR 3-HVSG A12 のヘッドのターゲット切込みにより本体とスロープアダプターの位置を傾斜面に対して平行になるように調整します。
- スロープアダプターがスタート位置 (0°) にあることを確認してください。



PR 3-HVSG A12 の操作パネルは傾斜方向と反対側にあるようにします。

- 本体の電源をオンにします。
- 傾斜モードボタンを押します。回転レーザーの操作パネルで傾斜モード LED が点灯します。本体が自動整準を開始します。自動整準が完了するとレーザービームが照射されて回転します。
- スロープアダプターで希望の傾斜角度を設定します。



手動傾斜設定では回転レーザーはレーザーレベルを 1 回整準し、続いてこれを 1 回固定設定します。この回転レーザーが、環境条件の変化および / または固定具の移動に起因して生じ得るずれに対して傾斜レーザーレベルを調整することのないよう注意してください。時間の経過とともに発生し得る振動、温度変化、その他の要因は、レーザーレベルの位置に影響を与えることがあります。

6.5 PRA 2 リモートコントロールユニットを使用した作業

PRA 2 リモートコントロールユニットにより回転レーザーの操作が快適に行えます。また、本体のいくつかの機能を使用するにはリモートコントロールユニットが必要となります。

回転速度を選択する

オンにすると、回転レーザーは毎分回転数 300 で作動します。回転速度を遅くすることにより、レーザービームをもっと明るくすることができます。回転速度が速いと、レーザービームが安定します。回転速度ボタンを押すたびに速度が変化します。

ラインモードを選択する

リモートコントロールユニットでラインモード設定ボタンを押して、レーザービームのラインの範囲を狭めることができます。この操作により、レーザービームは明るく見えやすくなります。ラインモード設定ボタ




ンを押すたびに、ラインの長さが変化します。ラインビームの長さは、レーザーと壁面 / 表面との距離によります。レーザーラインは方向選択ボタン (左 / 右) により自由に移動させることができます。

6.6 ショック警告システムを非作動にする

1. 本体の電源をオンにします。
2. 「ショック警告システム非作動」ボタンを押します。ショック警告システム非作動 LED が連続点灯し、この機能が非作動になっていることを知らせます。
3. 自動整準モードに戻るには、本体の電源を一度オフにしてから再びオンにしてください。


6.7 水平方向の主軸と横軸をチェックする

1. 三脚を壁から約 20 m (66 ft) 離して設置し、三脚ヘッドを水準器で水平に調整します。
2. 本体を三脚に取り付け、ターゲット切込みを用いて本体ヘッドを壁に位置決めします。
3. レシーバーを使用してポイント (ポイント 1) を受け、壁にケガきます。
4. 本体軸を中心として本体を時計回りに 90° 回転させます。このとき本体の高さを変えてはなりません。
5. レーザーレシーバーを使用してポイント (ポイント 2) を受け、壁にケガきます。
6. 前述の 2 つの作業ステップをもう 2 回繰り返して、ポイント 3 とポイント 4 をレシーバーで受けて、壁にケガきます。

 ケガいたポイント 1 と 3 間 (主軸) またはポイント 2 と 4 間 (横軸) の垂直方向の間隔がそれぞれ 3 mm (0.12") 以内であれば、本体の精度は仕様の範囲内にあります (20 m (66 ft) の場合)。この間隔が 3 mm より大きい場合は、本体の校正を Hilti サービスセンターに依頼してください。

6.8 垂直軸のチェック


1. 本体を壁から約 20 m (66 ft) 離して、できるだけ平坦な床に垂直に設置します。
2. 本体のグリップを壁と平行に向けます。
3. 本体をオンにし、基準ポイント (R) を床にケガきます。
4. レシーバーを使用して、ポイント (A) を壁の下端にケガきます (中速を選択します)。
5. レシーバーを使用して、約 10 m (33 ft) の高さにポイント (B) をケガきます。
6. 本体を 180° 回転させ、床の基準ポイント (R) と壁の下端にケガいたポイント (A) に整準します。
7. レシーバーを使用して、約 10 m (33 ft) の高さにポイント (C) をケガきます。

 10 m の高さにケガいたポイント (B) と (C) 間の水平方向の間隔が 2 mm (0.08") 以内であれば、本体の精度は仕様の範囲内にあります (10 m (33 ft) の場合)。この間隔が 2 mm より大きい場合は、本体の校正を Hilti サービスセンターに依頼してください。

7 手入れ、保守、搬送および保管

7.1 清掃と乾燥

- ▶ レーザー照射窓から埃を除去してください。
- ▶ レーザー照射窓に指で触れないでください。
- ▶ 本体は必ず清潔な柔らかい布で清掃してください。必要に応じて布を純粋なアルコールまたは水で軽く湿してください。

 ガラス部分は粗い清掃溶剤に擦られて傷つくことがあります。その場合、本体の測定精度に影響が出る恐れがあります。プラスチック部分をいためる可能性がありますので、純粋なアルコールまたは水以外の液体は使用しないでください。
本体は温度限界の範囲内で乾燥させてください。

7.2 保管上の注意事項

- ▶ 本体は湿った状態で保管しないでください。本体はケースに入れたり保管する前に乾燥させてください。
- ▶ 保管の前に、必ず本体、本体ケースおよびアクセサリを清掃してください。
- ▶ 長期間保管した後や搬送後は、使用前に本体の精度をチェックしてください。
- ▶ 本体を保管する場合は、保管温度を確認してください。特に車内に保管する場合はご注意ください。



7.3 Li-Ion バッテリーの手入れ

- ▶ バッテリーは清潔に保ち、オイルやグリスで汚さないようにしてください。洗剤、磨き粉等のシリコンを含んだ清掃用具は使用しないでください。
- ▶ 定期的に、少し湿した布で表面を拭いてください。
- ▶ 湿気が入らないようにしてください。
- ▶ バッテリーは、Hilti が Li-Ion バッテリー用に許可した充電器で充電してください。

7.4 搬送

Li-Ion バッテリーの搬送、保管、作動については特別規定を守ってください。

本体の搬送の際はバッテリーと本体を絶縁するか、あるいは本体からバッテリーを抜き取ってください。電池 / バッテリーから流れ出た液体で、本体に損傷を与える可能性があります。

7.5 Hilti 測定技術サービス

Hilti 測定技術サービスは本体の点検を行い、取扱説明書に記載されている製品仕様を満たしていない場合には修正して製品仕様を満たした状態にあるかどうかを再点検します。チェックの時点において製品仕様を満たした状態にあることは、サービス証明書により確認されます。以下をお勧めします：

- 使用状況に応じて適切な点検間隔を選択すること。
- 本体を通常よりも厳しい条件で使用した後、重要な作業の前、これらに該当しなくても少なくとも1年に1回はHilti 測定技術サービスに点検を依頼すること。

Hilti 測定技術サービスによる点検は、使用前および使用中のユーザーによる本体のチェックを不要にするものではありません。

7.6 測定精度を点検する

技術的な製品仕様を維持するには、本体を定期的に（少なくとも大がかりな測定 / 重要な測定の前）点検してください。

本体を高いところから落下させた場合は、正しく機能するか検査する必要があります。以下の条件では、本体は問題なく作動しているとみなすことができます：

- 落下の際に製品仕様に記載の落下高さを超過していなかった。
- 本体は落下前にも正常に動作していた。
- 本体が落下の際に機械的な損傷（ペンタプリズムの破損など）を受けなかった。
- 本体は動作時に回転レーザービームを生成する。

8 故障時のヒント

この表に記載されていない、あるいはご自身で解消することのできない故障が発生した場合には、弊社営業担当またはHilti 代理店・販売店にご連絡ください。

故障	考えられる原因	解決策
本体が作動しない。	バッテリーが完全に装着されていない。	▶ バッテリーを「カチッカチツ」と音がするまでロックする。
	バッテリーが放電している。	▶ バッテリーを交換し、空のバッテリーを充電する。
バッテリーの放電が通常よりも早い。	周囲温度が低すぎる。	▶ バッテリーをゆっくり室温まで暖める。
バッテリーが「カチツ」と音がするまでロックされない。	バッテリーのロックノッチが汚れている。	▶ ロックノッチを清掃してバッテリーを改めてロックする。
本体あるいはバッテリーが熱くなる。	電氣的故障	▶ 本体の電源を直ちに切ってバッテリーを取り外して観察する、バッテリーを冷ましてHilti サービスセンターに連絡する。



9 廃棄

警告

誤った廃棄による負傷の危険! 漏出するガスあるいはバッテリー液により健康を損なう危険があります。

- ▶ 損傷したバッテリーを送付しないでください!
- ▶ 短絡を防止するために接続部を非導電性のもので覆ってください。
- ▶ バッテリーは子供が手を触れることのないように廃棄してください。
- ▶ バッテリーの廃棄は、最寄りのHilti Store あるいは適切な廃棄物処理業者に依頼してください。

Hilti 製品の大部分の部品はリサイクル可能です。リサイクル前にそれぞれの部品は分別して回収されなければなりません。多くの国でHilti は、古い電動工具をリサイクルのために回収しています。詳細については弊社営業担当またはHilti 代理店・販売店にお尋ねください。

古い電気および電子工具の廃棄に関するヨーロッパ基準と各国の法律に基づき、使用済みの電気工具およびバッテリーは一般ゴミとは別にして、環境保護のためリサイクル規制部品として廃棄してください。



- ▶ 本体を一般ゴミとして廃棄してはなりません。

環境汚染を防止するために、本体、バッテリーおよび電池は各国の該当基準にしたがって廃棄してください。

10 メーカー保証

- ▶ 保証条件に関するご質問は、最寄りのHilti 代理店・販売店までお問い合わせください。

오리지널 사용 설명서

1 사용 설명서 관련 정보

1.1 본 사용 설명서에 관하여

- 경고! 제품을 사용하기 전에, 제품과 함께 제공되는 사용 설명서와 설명서에 제시된 지침, 안전상의 주의사항 및 경고사항, 그림 및 사양 등을 잘 읽고 이해해야 합니다. 특히 모든 지침, 안전상의 주의사항 및 경고사항, 그림, 사양과 구성 요소 및 기능을 숙지해야 합니다. 유의하지 않을 경우, 감전, 화재 발생 및/또는 중상을 입을 위험이 있습니다. 추후 사용 시에도 활용할 수 있도록 관련 지침, 안전상의 주의사항 및 경고사항이 포함된 사용 설명서를 잘 보관하십시오.
- 제품은 전문가용으로 설계되어 있으며, 해당 교육을 이수한 공인된 작업자를 통해서만 조작, 유지보수 및 수리 작업을 진행할 수 있습니다. 이 기술자는 발생할 수 있는 위험에 대해 특별 교육을 받은 상태여야 합니다. 교육을 받지 않은 사람이 제품을 부적절하게 취급하거나 규정에 맞지 않게 사용할 경우에는 기기와 그 보조기구에 의해 부상을 당할 위험이 있습니다.
- 함께 제공되는 사용 설명서는 인쇄 시점의 최신 기술 버전을 반영하여 작성됩니다. 최신 버전은 항상 Hilti 제품 사이트의 온라인 버전을 참조하십시오. 온라인 버전을 참고하고자 할 경우, 본 사용 설명서에 제시된 링크 혹은 기호로 표시된 QR 코드를 클릭하십시오.
- 제품을 다른 사람에게 양도할 때는 본 사용 설명서도 반드시 함께 넘겨주십시오.

1.2 기호 설명

1.2.1 경고사항

본 제품을 다루면서 발생할 수 있는 위험에 대한 경고사항. 다음과 같은 시그널 워드가 사용됩니다.

위험

위험!

- ▶ 이 기호는 직접적인 위험을 표시합니다. 만약 지키지 않으면 심각한 부상을 당하거나 사망할 수도 있습니다.

경고

경고!

- ▶ 이 기호는 잠재적인 위험을 표시합니다. 만약 지키지 않으면 심각한 부상을 당하거나 사망할 수도 있습니다.



⚠ 주의

주의!

▶ 이 기호는 잠재적인 위험 상황을 표시합니다. 만약 지키지 않으면 부상 또는 물적 손실을 입을 수 있습니다.

1.2.2 문서에 사용된 기호

본 문서에서 사용되는 기호는 다음과 같습니다.

	사용하기 전에 사용설명서를 읽으십시오.
	적용 지침 및 기타 유용한 사용정보
	재사용이 가능한 자재 취급방법
	전기 기기 및 배터리를 일반 가정의 쓰레기처럼 폐기해서는 안 됨

1.2.3 그림에 사용된 기호

다음과 같은 기호가 그림에 사용됩니다.

2	이 숫자는 본 설명서의 첫 부분에 있는 해당 그림을 나타냅니다.
3	매겨진 숫자는 작업 단계의 순서를 나타내며, 텍스트에 매겨진 작업 단계와 차이가 있을 수 있습니다.
11	항목 번호는 개요 그림에서 사용되며, 제품 개요 단락에 나와 있는 기호 설명 번호를 나타냅니다.
	이 표시는 제품을 다룰 때, 특별히 주의할 사항을 나타냅니다.

1.3 제품 관련 기호

1.3.1 제품에 사용된 기호

제품에 사용되는 기호는 다음과 같습니다.

	본 제품은 무선 데이터 전송을 지원하며, iOS 및 Android 플랫폼과 호환 가능합니다.
	사용한 Hilti 리튬이온 배터리 모델 시리즈. 규정에 맞는 사용 단원에 제시된 내용에 유의하십시오.
Li-Ion	리튬이온 배터리
	배터리는 절대 타격 공구로 사용해서는 안 됩니다.
	배터리를 떨어뜨리지 마십시오. 타격을 받은 적이 있거나 다른 손상이 있는 배터리는 사용하지 마십시오.

1.4 제품 정보

HILTI 제품은 전문가용으로 설계되어 있으며, 해당 교육을 이수한 공인된 작업자를 통해서만 조작, 유지 보수 및 수리 작업을 진행할 수 있습니다. 이 기술자는 발생할 수 있는 위험에 대해 특별 교육을 받은 상태여야 합니다. 교육을 받지 않은 사람이 제품을 부적절하게 취급하거나 규정에 맞지 않게 사용할 경우에는 기기와 그 보조기구에 의해 부상을 당할 위험이 있습니다.

형식 명칭 및 일련 번호는 형식 라벨에 제시되어 있습니다.

▶ 일련 번호를 다음의 표에 옮기십시오. 대리점 또는 서비스 센터에 문의할 경우 제품 재원이 필요합니다.

제품 제원

회전 레이저	PR 3-HVSG A12
세대	02
일련 번호	



1.5 적합성 선언

폐사는 전적으로 책임을 지고 여기에 기술된 제품이 통용되는 기준과 규격에 일치함을 공표합니다. 적합성 증명서 사본은 본 문서 끝 부분에서 확인할 수 있습니다.

기술 문서는 이곳에 기술되어 있습니다.

Hilti Entwicklungsgesellschaft mbH | Zulassung Geräte | Hiltistraße 6 | 86916 Kaufering, DE

2 안전

2.1 안전상의 주의사항

2.1.1 안전에 대한 기본 지침

모든 안전상의 주의사항과 지침을 읽으십시오. 안전상의 주의 사항과 지침 내용을 준수하지 않으면 전기 충격, 화재가 발생하거나 그리고/또는 중상을 입을 수 있습니다.

앞으로 모든 안전상의 주의사항과 지침을 보관하십시오. 안전상 주의사항에서 사용되는 "전동 공구"라는 개념은 전원에 연결하여 사용하는 전동 공구(전원 케이블 있음)와 배터리를 사용하는 전동 공구(전원 케이블 없음)를 의미합니다.

2.1.2 일반적인 안전 지침

- ▶ 신중하게 작업하십시오. 작업에 정신을 집중하고 전동 공구를 사용할 때 경솔하게 행동하지 마십시오. 피곤하거나 항정신성 약물, 술 또는 약물 복용 시에는 전동 공구를 사용하지 마십시오. 전동 공구 사용 시 이에 유의하지 않을 경우 심각한 부상을 초래할 수 있습니다.
- ▶ 안전장치가 작동불능 상태가 되지 않도록 하고, 지침 및 경고 스티커를 제거하지 마십시오.
- ▶ 레이저 기기는 어린이들의 손이 닿지 않는 곳에 보관하십시오.
- ▶ 기기에 볼트를 제대로 체결하지 않으면 2등급을 넘어가는 레이저빔이 발생할 수 있습니다. 기기는 Hilti 서비스 센터에서만 수리받으십시오.
- ▶ 레이저빔의 평면은 눈 높이보다 위 또는 아래에 위치해 있어야 합니다.
- ▶ 주위 환경을 고려하십시오. 화재 혹은 폭발의 위험이 있는 곳에서는 기기를 사용하지 마십시오.
- ▶ FCC§15.21에 따른 지침: Hilti사가 명시적으로 허용하지 않은 개조 또는 변경을 하면 기기를 사용하는 사용자의 권한이 제한될 수 있습니다.
- ▶ 기기를 떨어뜨렸거나 또는 기기가 다른 기계적인 영향을 받은 경우에는 기기의 정확성을 점검해야 합니다.
- ▶ 기기를 매우 추운 장소로부터 따뜻한 장소로 옮겼거나 그 반대로 따뜻한 장소에서 추운 장소로 옮겼을 경우에는 기기를 사용하기 전에 새 환경에 적응되도록 해야 합니다.
- ▶ 어댑터 및 액세스리과 함께 사용할 경우, 기기가 안전하게 고정되었는지를 확인하십시오.
- ▶ 측정오류를 방지하기 위해서는 레이저 방출구를 깨끗하게 유지해야 합니다.
- ▶ 기기가 건설 현장용으로 설계되었지만, 다른 광학 기기 및 전동 기기(쌍안경, 안경, 카메라)와 마찬가지로 조심스럽게 취급해야 합니다.
- ▶ 기기는 습기가 유입되지 않도록 설계되어 있으나 기기를 운반용 케이스에 보관하기 전에 잘 닦아 기기가 건조한 상태를 유지하도록 하십시오.
- ▶ 중요한 측정을 하기 전에, 반드시 기기를 점검하십시오.
- ▶ 사용하는 동안 정확도를 여러 번 점검하십시오.
- ▶ 작업장의 조명을 충분히 밝게 하십시오.
- ▶ 접점에 닿지 않게 하십시오.
- ▶ 기기를 유의해서 관리하십시오. 가동 부위가 완벽하게 작동하는지, 끼어 있지 않은지, 혹은 기기의 기능에 중요한 영향을 미치는 부품이 파손되었거나 손상되지 않았는지 확인하십시오. 기기를 사용하기 전에 손상된 부품을 수리받으십시오. 기기를 불량하게 정비하면 사고가 많이 발생하는 원인이 됩니다.

2.1.3 규정에 맞는 작업장 설치

- ▶ 측정 장소를 안전하게 유지하십시오. PR 3-HVSG A12를 설치할 때 광선이 다른 사람 또는 자신을 향하지 않는지 확인하십시오.
- ▶ 사다리에서 작업 시 불안정한 자세가 되지 않도록 주의하십시오. 안전한 작업 자세를 취하고, 항상 균형을 유지하십시오.
- ▶ 반사되는 물체 및 반사 표면 근처에서의 측정할 경우 유리창 또는 이와 유사한 물질로 인해 측정 결과가 잘못될 수 있습니다.
- ▶ 기기가 평탄하고 안정된 장소(진동이 없는 곳)에 설치되어 있는지 확인하십시오.
- ▶ 규정된 한계 내에서만 기기를 사용하십시오.
- ▶ 해당 지시 사항, 즉 특수한 기기 형식에 따른 규정을 준수하여 기기, 액세스리, 공구비트 등을 사용하십시오. 이때 작업 조건 및 실행할 작업 내용을 고려하십시오. 기기를 규정된 용도 이외로 사용하게 될 경우 위험한 상황이 발생할 수 있습니다.



- ▶ 고압 배선 근처에서 측정자를 이용한 작업은 허용되지 않습니다.
- ▶ 주변에서 다른 PR 3-HVSG A12가 사용되고 있는지 확인하십시오. IR-제어는 기기에 영향을 미칠 수 있습니다. 가끔씩 설비를 점검하십시오.

2.1.4 전자기파 적합성(EMC)

기기가 관련 가이드라인의 엄격한 요건을 충족하더라도, Hilti 는 다음과 같은 상황이 발생할 수 있습니다.

- 본 기기는 강한 방사로 인해 오작동을 유발할 수 있습니다. 이러한 경우 또는 다른 불확실한 경우에는 테스트 측정을 실시해야 합니다.
- 다른 기기(비행기의 내비게이션 장치 등)의 장애를 유발할 수 있습니다.

한국에만 적용됨:

이 기기는 가정용(B급) 전자파적합기기로서 주로 가정에서 사용하는 것을 목적으로 하며, 모든 지역에서 사용할 수 있습니다.

2.1.5 레이저 등급이 2인 기기에 대한 레이저 등급 분류

본 기기는 IEC60825-1:2007 / EN60825-1:2007에 따른 레이저 등급 2에 해당합니다. 본 기기는 그 외 다른 보호장비 없이 사용해도 됩니다.

주의

부상위험! 레이저빔이 사람에게 향하지 않도록 하십시오.

- ▶ 레이저 광원을 절대 직접 응시하지 않도록 하십시오. 눈에 직접 닿은 경우, 눈을 감고 병 영역에서 고개를 돌리십시오.

2.1.6 배터리 구동식 기기 사용방법

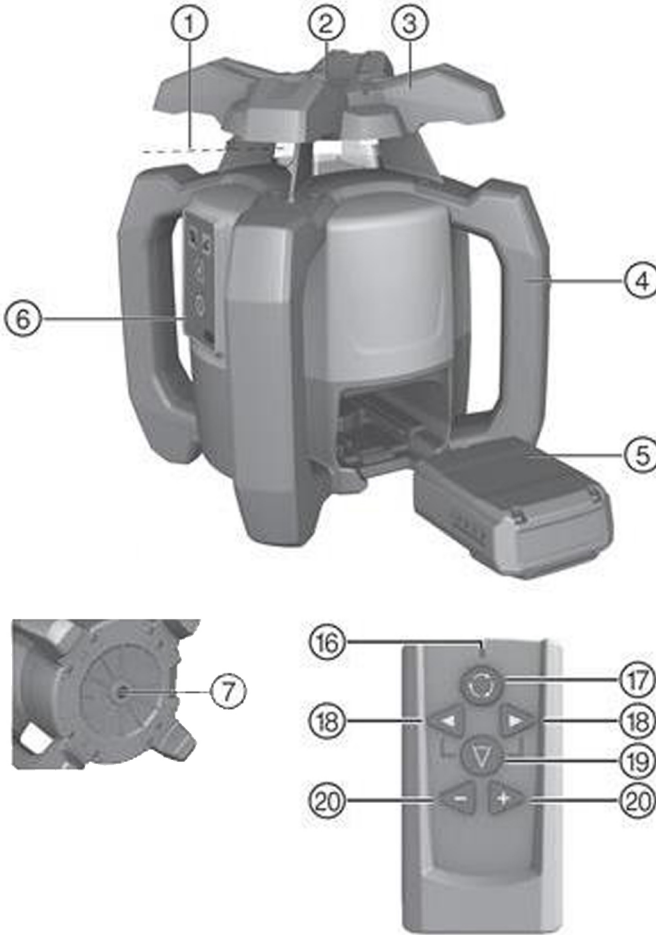
- ▶ 배터리를 고열, 직사광선 및 화염 근처에 두지 마십시오. 폭발의 위험이 있습니다.
- ▶ 배터리를 분해하거나 강한 압력 또는 80°C (176°F) 이상의 열을 가하거나 연소시켜서는 안됩니다. 그렇지 않으면 화재위험, 폭발위험 및 부식위험이 있습니다.
- ▶ 배터리에 강한 물리적 충격이 가해지지 않도록 하고, 배터리를 던지지 마십시오.
- ▶ 배터리는 어린이의 손이 닿지 않는 곳에 두십시오.
- ▶ 습기가 스며들지 않도록 주의하십시오. 습기가 유입될 경우 단락을 초래하고 화상 또는 화재가 야기될 수 있습니다.
- ▶ 잘못 사용할 경우, 배터리로부터 전해액이 흘러나올 수 있습니다. 전해액을 직접 만지지 마십시오. 실수로 만졌을 경우, 물로 씻으십시오. 전해액이 눈에 들어갔으면, 의사와 상담하십시오. 배터리로부터 흘러나온 전해액은 피부를 손상시킬 수 있고 화재를 발생시킬 수 있습니다.
- ▶ 각 기기에 허용된 배터리 외에 다른 종류를 사용하지 마십시오. 다른 배터리를 사용하거나, 다른 목적으로 배터리를 사용할 시에는 화재 및 폭발의 위험이 있습니다.
- ▶ 배터리를 되도록 서늘하고 건조한 곳에 보관하십시오. 배터리를 직사광선에 노출된 곳이나 난방기구 근처 또는 판유리 뒤에 놓지 마십시오.
- ▶ 사용하지 않은 배터리 또는 충전기는 클립, 동전, 키, 못, 볼트 또는 그외의 소형 금속 물체 가까이 두지 마십시오. 배터리 접점 또는 충전 접점의 점프를 유발할 수 있습니다. 배터리 또는 충전기 접점의 단락으로 인해 화재 및 불꽃이 발생할 수 있습니다.
- ▶ 손상된 배터리(예: 배터리 균열, 부러진 부분이 있거나 접점이 휘었거나 뒤로 밀렸거나 당겨짐)는 충전해서도 안되고 계속해서 사용할 수 없습니다.
- ▶ 제조회사가 권장한 충전기에만 배터리를 충전시키십시오. 특정한 형식의 배터리를 사용하도록 규정되어 있는 충전기에 다른 배터리를 사용할 경우 화재 발생의 위험이 있습니다.
- ▶ 리튬 이온 배터리의 운반, 보관 및 사용에 대한 특수 지침에 유의하십시오.
- ▶ 기기를 운반하기 위해 배터리를 절연시키거나 배터리를 기기로부터 분리해야 합니다. 배터리로부터 전해액이 누설되어 기기가 손상될 수 있습니다.
- ▶ 구동되지 않는 배터리가 눈에 띄게 뜨거운 경우, 배터리 또는 기기 및 배터리 시스템에 결함이 있을 수 있습니다. 기기를 가연성 소재와 충분한 간격을 유지하면서, 관찰이 가능한 비연소 장소에 설치하고 기기를 냉각시키십시오.



3 제품 설명

3.1 제품 개요

3.1.1 회전 레이저 PR 3-HVSG



기호 설명

- ① 레이저빔(회전 수평 레이저빔)
- ② 90° 기준 빔
- ③ 손잡이

- ④ 리튬 이온 배터리
- ⑤ 조작부
- ⑥ 베이스 플레이트 (5/8" 나사산)

3.1.2 조작부 PR 3-HVSG A12

기호 설명

- ⑧ LED: 자동 수평도 측정
- ⑨ 버튼: 충격 경고 비활성화
- ⑩ LED: 충격 경고 비활성화
- ⑪ LED: 경사각

- ⑫ 버튼: 경사각
- ⑬ 버튼: 회전속도
- ⑭ 버튼: ON/OFF
- ⑮ 배터리 상태 표시



3.1.3 리모컨 PRA 2

기호 설명

- (16) LED: 명령 전송됨
- (17) 버튼: 회전속도
- (18) 버튼: 라인 방향 (좌측/우측)
- (19) 버튼: 라인 레이저 기능
- (20) 서보 버튼 (+/-)

3.2 규정에 따른 용도

기술된 제품은 눈에 보이는 녹색 회전 레이저빔과 90°로 조정된 기준 빔을 갖춘 회전 레이저입니다. 이 회전 레이저는 수직면, 수평면 및 경사면에서 사용할 수 있습니다. 기기는 수평 높이, 수직면 또는 경사면, 직각의 산출 및 전송, 점검에 적합합니다. 예를 들어 표시 높이 및 데이터 전송, 벽면 간 직각 조정, 기준점에 대한 수직 조정 또는 경사면 생성을 위해 사용할 수 있습니다.

- ▶ 본 제품에는 Hilti B 12/2.6 또는 B 12-30 리튬이온 배터리만 사용하십시오.
- ▶ 본 제품에는 Hilti C 4/12-50 충전기만 사용하십시오.

3.3 특징

본 기기를 사용하여 혼자서도 신속하고 정확하게 수평을 맞출 수 있습니다.

서로 다른 네 가지 회전속도가 있습니다(0, 90, 300, 600/min). 사전 설정된 회전속도는 300rpm입니다. 기기는 다음과 같은 작동 상태 표시기로 구성되어 있습니다: 자동 수평도 측정 LED, 경사각 LED, 충격 경고 LED 한 쪽 방향 또는 두 방향의 수평이 자동 조정되는 동안 서보 시스템은 설정된 정확도가 유지되는지를 감시합니다. 수평도 측정에 이르지 못한 경우(기기가 측정 영역을 벗어났거나 또는 물리적인 블로킹) 또는 기기가 기울어진 경우, 자동으로 꺼집니다. 자동으로 꺼진 후에는, 레이저빔의 회전이 중단되고 모든 LED가 깜박거립니다. 작업 거리와 주변 밝기에 따라 레이저빔의 가시성은 제한될 수 있습니다. 타겟 플래티트를 이용하여 가시성을 개선시킬 수 있습니다. 레이저빔의 가시성이 햇빛 등으로 인해 저하되면 레이저 리시버(액세서리)를 사용할 것을 권장합니다.

수평도 측정

기기를 켜면 장착된 두 서보 모터를 통해 레벨이 조정된 평면에서의 정렬(±5°)이 자동으로 이루어집니다. LED는 상황에 따른 작동 상태를 나타냅니다. 바닥에 놓인 삼각대에 직접 설치하거나 또는 적합한 홀더를 이용하여 설치할 수 있습니다.

수직선에 따라 레벨링이 자동으로 이루어집니다. 리모컨 PRA 2 에서 +/- 버튼을 누르면 수직면을 수동으로 정렬(회전)할 수 있습니다.

경사는 경사 모드에서 리모컨 PRA 2 를 이용하여 최대 ± 5°까지 수동으로 조정 가능합니다. 또는 경사면 어댑터를 이용하여 경사 모드에서 60%까지 기울일 수 있습니다.

작동하는 도중 기기가 수평 상태에서 기울어지면(진동 / 충격), 기기는 내장되어 있는 충격 경고 기능을 통해 경고 모드로 전환됩니다(수평도 측정 도달한 후 2분 지나면 활성화). 모든 LED가 깜박이면, 헤드가 더 이상 회전하지 않으며 레이저가 꺼집니다.

다른 기기와의 결합

리모컨 PRA 2 를 이용하여 회전 레이저를 거리에 구애받지 않고 조작할 수 있습니다. 그 외에도 원격 조정 기능으로 레이저빔을 조정할 수 있습니다.

레이저빔을 원거리로 나타내기 위해 Hilti 레이저 리시버를 사용할 수 있습니다. 자세한 정보는 레이저 리시버의 사용설명서를 참조하십시오.

3.4 LED 표시기

회전 레이저에 LED 디스플레이가 장착되어 있습니다.

상태	의미
모든 LED 깜박임	기기가 충격을 받았거나 수평을 잃었습니다. 그렇지 않으면 오류가 발생한 것입니다.
자동 수평도 측정 LED가 녹색으로 깜박임	기기가 수평도 측정 중입니다.
자동 수평도 측정 LED가 계속해서 녹색으로 점등됨	기기는 수평도 측정 중입니다 / 올바르게 작동 중입니다.
충격 경고 LED가 계속해서 주황색으로 점등됨	충격 경고가 비활성화 되어 있습니다.
경사도 표시기 LED가 계속해서 주황색으로 점등됨	경사 모드가 활성화되었습니다.

3.5 리튬 이온 배터리의 충전 상태 디스플레이

리튬 이온 배터리는 충전상태 표시기를 통해 사용가능 여부를 확인할 수 있습니다.



상태	의미
4개 LED 점등됨.	충전 상태: 75 % ~ 100 %
3개 LED 점등됨.	충전 상태: 50 % ~ 75 %
2개 LED 점등됨.	충전 상태: 25 % ~ 50 %
1개 LED 점등됨.	충전 상태: 10 % ~ 25 %
1개 LED 깜박임.	충전 상태: < 10 %

i 작동 중에는 배터리의 충전상태가 기기의 조작부에 표시됩니다.
비작동 상태에서는 잠금해제 버튼을 누르면 충전상태가 표시됩니다.
배터리를 충전하는 동안 배터리의 표시기에 충전상태가 나타납니다(충전기 사용설명서 참조).

3.6 공급품목

회전 레이저 PR 3-HVSG A12, 리모컨 PRA 2, 타겟 플레이트 PRA 54, 배터리(AA-셀) 2개, 제조원 증명서 2개, 사용설명서

i 해당 제품에 허용되는 기타 시스템 제품은 **Hilti Store** 또는 **www.hilti.group**에서 확인할 수 있습니다.

4 기술자료

정격 전압	10.8V
정격 전류	160mA
기준 높이를 초과한 최대 사용 높이	2,000m (6,561 ft — 8 in)
최대 상대습도	90 %
작업 범위(직경 기준)	150m
통신 도달 범위 (PRA 2)	30m
10 m에서의 정확도(MIL-STD-810G에 따른 표준 환경 조건에서)	±1mm
레이저 등급	가시성 있음, 레이저 등급 2, 510-530 nm/Po<4,85 mW ≥ 300 /min; EN 60825-1:2007; IEC 60825-1:2007
작동 온도	-10 °C ... 50 °C
보관 온도	-25 °C ... 63 °C
무게배터리 B22/2.6 또는 B 12-30 포함	2.4kg
낙하 시험 높이(MIL-STD-810G에 따른 표준 환경 조건에서)	1.5m
삼각대 고정용 나사	5/8in
IEC 60529에 따른 보호 등급	IP 56

5 사용전 준비사항

5.1 레이저 및 배터리의 올바른 취급

- ▶ 그림 1: 수평 모드에서 작업.
- ▶ 그림 2: 경사 모드에서 레이저를 조작부의 한쪽 측면으로 들어 올리십시오.
- ▶ 그림 3: 경사진 상태에서 보관 또는 운반
 - ▶ 배터리 케이스 또는 배터리가 위쪽을 향하지 않고 습기가 투입되지 않도록 유지하십시오.

i 배터리 타입 B12에는 보호 등급이 없습니다. 배터리가 비에 맞지 않게 하고 습한 장소에 두지 마십시오. **Hilti** 가이드라인에 따라 배터리를 배터리는 해당 제품에만 사용 가능하며, 배터리 케이스에 보관해야 합니다.



5.2 배터리 사용

주의

부상위험 제품의 돌발적인 시동.

- ▶ 배터리 삽입 전 제품의 전원을 반드시 꺼주십시오.

주의

전기 위험. 접점이 오염된 경우 단락이 발생할 수 있습니다.

- ▶ 배터리를 삽입하기 전에 배터리 접점과 기기의 접점에 이물질이 없는지 확인하십시오.

주의

부상 위험. 배터리를 제대로 끼우지 않은 경우, 배터리가 떨어질 수 있습니다.

- ▶ 배터리가 떨어지거나 다른 위험이 없도록 배터리가 기기에 제대로 안착되어 있는지 점검하십시오.
- ▶ 배터리를 끼우고 배터리가 기기에 정확하게 장착되어 있는지 점검하십시오.

5.3 배터리 분리

- ▶ 배터리를 분리하십시오.

6 조작

6.1 기기 전원 켜기

- ▶ "ON / OFF" 버튼을 누르십시오.



전원을 켜 후 기기는 수평도 측정을 자동으로 시작합니다.

중요한 측정을 실시하기 전에 특히 기기가 바닥에 떨어지거나 비정상적인 기계 작용이 발생한 후에 기기의 정확도를 확인하십시오.

6.2 수평 작업

1. 기기를 고정부에 장착하십시오.



고정부로는 벽면 고정장치 또는 삼각대를 사용할 수 있습니다. 설치면 경사각은 최대 $\pm 5^\circ$ 이어야 합니다.

2. "ON / OFF" 버튼을 누르십시오. 자동 수평도 측정 LED가 녹색으로 깜박입니다.



수평도 측정이 이루어진 직후 레이저빔이 켜지고 회전하고 자동 수평도 측정 LED가 지속적으로 점등됩니다.

6.3 수직 작업

1. 기기 작동 영역이 위쪽을 향하도록 기기를 놓고 설치하십시오.



제시된 정확도를 유지할 수 있도록 기기를 평평한 면에 위치시키거나 삼각대 또는 다른 액세서리에 적절하게 장착시켜야 합니다.

2. 리어 사이트와 프론트 사이트를 이용하여 원하는 방향에서 기기의 수직 축을 조정하십시오.



수평도 측정이 이루어진 직후 레이저빔이 켜지고 회전하고 자동 수평도 측정 LED가 지속적으로 점등됩니다.

3. "ON/OFF" 버튼을 누르십시오. 수평도 측정 후 기기는 아래를 향해 수직으로 투사되는 레이저빔으로 레이저 작동을 시작합니다. 이 투사점은 기준점이자 기기의 위치 설정을 위해 이용됩니다.
4. 전체 회전 레이저빔의 광선을 보기 위해 회전 버튼을 누르십시오.
5. 리모컨의 + 및 - 버튼으로 수평 레이저빔을 좌측 또는 우측으로 5° 까지 움직일 수 있습니다.

6.4 경사도

PR 3-HVSG A12의 정렬 상태를 점검하면 최적의 결과 산출에 도움이 됩니다. 최상의 결과를 얻을 수 있도록 기기 좌우로 각각 5 m(16ft)의 간격을 두고, 기기 축과 평행인 두 지점을 선택하십시오. 평평한 수평면의 높이



를 표시한 후 경사에 따른 높이를 표시합니다. 두 점에 대한 높이가 동일한 경우에만 기기 조정이 최적으로 이루어진 것입니다.

6.4.1 경사도 수동 조절

1. 용도에 따라 기기를 삼각대 위 등에 설치하십시오.
2. 회전 레이저를 경사면 위쪽 모서리 또는 아래쪽 모서리 부분에 위치시키십시오.
3. 기기 뒤에 서서 조작영역 쪽을 바라보십시오.
4. 기기 헤드 부분의 타겟 표시를 이용하여 기기를 대충 경사면에 평행하게 정렬하십시오.
5. 기기를 켜고 경사 모드 버튼을 누르십시오. LED 경사 모드가 점등됩니다. 수평도 측정에 도달하면 레이저 빔이 켜집니다.
6. 리모콘에서 + 또는 - 버튼을 눌러서 수평면의 경사도를 조정하십시오. 또한 경사면 어댑터(액세서리)를 사용할 수 있습니다.



수동으로 경사를 설정하는 경우 회전 레이저가 레이저총의 수평도를 1회 조정한 후 확정합니다. 본 회전 레이저는 환경 조건의 변화 그리고/또는 고정 위치가 밀리면서 발생하는 편차에 대해 경사진 레이저총의 수평도를 조정하지 않음에 유의하십시오. 진동, 온도 변화 및 시간이 지나면서 발생할 수 있는 기타 작용으로 인해 레이저총의 위치에 영향을 미칠 수 있습니다.

7. 표준 모드로 돌아가기 위해 기기의 전원을 껐다가 다시 새로 켜십시오.

6.4.2 경사면 어댑터를 이용한 경사도 설정

1. 적합한 경사면 어댑터를 삼각대 위에 설치하십시오.
2. 삼각대를 경사면 위쪽 모서리 또는 아래쪽 모서리 부분에 위치시키십시오.
3. 회전 레이저를 경사면 어댑터 위에 조립하고 PR 3-HVSG A12 헤드 부분의 타겟 표시를 이용하여 경사면 어댑터를 포함해 기기를 경사면에 평행하게 조정합니다.
4. 경사면 어댑터가 초기위치(0°)에 있는지 확인하십시오.



PR 3-HVSG A12의 조작부는 경사방향 반대편에 있어야 합니다.

5. 기기의 전원을 켜십시오.
6. 경사 모드 버튼을 누르십시오. 이제 회전 레이저의 조작부 위에 경사 모드 LED가 점등됩니다. 기기가 자동 수평도 측정을 시작합니다. 측정이 완료되면 레이저가 켜지고 회전하기 시작합니다.
7. 경사면 어댑터에 원하는 경사각도를 설정하십시오.



수동으로 경사를 설정하는 경우 회전 레이저가 레이저총의 수평도를 1회 조정한 후 확정합니다. 본 회전 레이저는 환경 조건의 변화 그리고/또는 고정 위치가 밀리면서 발생하는 편차에 대해 경사진 레이저총의 수평도를 조정하지 않음에 유의하십시오. 진동, 온도 변화 및 시간이 지나면서 발생할 수 있는 기타 작용으로 인해 레이저총의 위치에 영향을 미칠 수 있습니다.

6.5 PRA 2 리모컨을 이용하여 작업

리모컨 PRA 2는 회전 레이저와 함께 작업하는 것을 용이하게 하며 기기의 일부 기능들을 사용할 수 있기 위해 필요합니다.

회전속도 선택

스위치ON 후 회전 레이저는 항상 300 rpm으로 시작합니다. 회전속도가 더 느리면 실질적으로 레이저빔을 더 밝게 작동시킬 수 있습니다. 빠른 회전속도는 레이저빔을 더 견고하게 작용하게 합니다. 회전속도 버튼을 여러 번 누르면 속도가 변합니다.

라인 레이저 기능 선택

리모콘의 라인 레이저 기능 버튼을 누르면 레이저 광선 영역을 하나의 선으로 축소시킬 수 있습니다. 이렇게 하면 레이저빔이 실질적으로 더 밝게 나타납니다. 라인 레이저 기능 버튼을 여러 번 누르면 선의 길이가 변합니다. 라인의 길이는 벽/표면의 레이저 거리에 따라 다릅니다. 레이저 라인은 방향 버튼(좌/우)을 눌러 임의로 이동시킬 수 있습니다

6.6 충격 경고 기능 비활성화

1. 기기를 켜십시오.
2. 충격 경고 기능 "비활성화" 버튼을 누르십시오. 충격 경고 기능 비활성화 LED가 계속 점등 상태를 유지하는 것은 기능이 비활성화되었음을 나타냅니다.
3. 표준 모드로 돌아가려면 기기의 전원을 껐다가 다시 켜십시오.



6.7 수직 주축과 수평축 점검 3

1. 삼각대를 벽에서 약 20m(66ft) 떨어진 거리에 세우고, 수준기 중앙에 삼각대 헤드를 수평으로 조정합니다.
2. 기기를 삼각대에 장착하고 기기 헤드를 타겟 표시를 이용하여 벽으로 조정합니다.
3. 리시버를 이용하여 한 점(점 1)을 잡아 벽에 표시합니다.
4. 기기 축을 기준으로 기기를 시계 방향으로 90° 회전시킵니다. 이때 기기의 높이가 수정되어서는 안 됩니다.
5. 레이저 리시버를 이용하여 기기의 두 번째 점(점 2)을 잡아 벽에 표시합니다.
6. 앞 두 단계를 두 차례 더 반복하고 리시버를 이용하여 점 3과 점 4를 잡아 벽에 표시합니다.

i 세심한 작업 실행 시, 표시된 점 1과 3(주축) 또는 점 2와 점 4(수평축)의 수직 간격이 각각 < 3 mm 이어야 합니다(20 m에서)(0.12", 66ft에서). 이보다 더 큰 편차가 발생한 경우 캘리브레이션을 위해 기기를 Hilti 서비스 센터에 보내주십시오.

6.8 수직축 점검 9, 10

1. 기기를 벽으로부터 약 20m(66ft) 떨어진 가장 평평한 바닥에 수직으로 세웁니다.
2. 기기의 그림을 벽과 평행이 되도록 조정합니다.
3. 기기 전원을 켜고 기준점 (R)을 바닥에 표시합니다.
4. 수신기를 이용하여 벽의 아래쪽 끝에 점 (A)를 표시합니다. 중간 속도를 선택하십시오.
5. 리시버를 이용하여 점 (B)를 약 10m(33ft) 높이에 표시합니다.
6. 기기를 180° 회전시켜 바닥에 있는 기준점 (R)과 벽 하단에 있는 표시점 (A)에 맞춥니다.
7. 리시버를 이용하여 점 (C)를 약 10m(33ft) 높이에 표시합니다.

i 세심한 작업 실행 시 10m 높이에 표시한 두 점 (B)와 (C)의 수평 간격이 2 mm 보다 작아야 합니다(10 m에서)(0.08", 33ft에서). 편차가 클 경우: 캘리브레이션을 위해 기기를 Hilti 서비스 센터에 보내주십시오.

7 관리, 유지보수, 운반 및 보관

7.1 세척 및 건조

- ▶ 레이저 방출구에서 먼지를 불어서 제거하십시오.
- ▶ 레이저 방출구에 손가락을 접촉하지 마십시오.
- ▶ 기기를 깨끗하고 부드러운 천으로만 청소하십시오. 필요 시 천에 순수 알코올 또는 물을 약간 묻혀 사용하십시오.

i 거친 세척제는 유리에 흠집을 낼 수 있으며, 이에 따라 기기의 정확도가 손상될 수 있습니다. 플라스틱 부품을 손상시킬 수 있으므로 절대로 순수 알코올 또는 물을 제외한 다른 액체를 사용하지 마십시오. 허용 온도한계값을 준수하여 장비를 건조시키십시오.

7.2 보관

- ▶ 기기를 습기가 있는 상태로 보관하지 마십시오. 기기를 창고에 보관하기 전에 건조시키십시오.
- ▶ 기기를 보관하기 전에 항상 기기, 운반용 케이스 그리고 부속품을 청소하십시오.
- ▶ 장기 보관 또는 장기 운송 후에는 기기를 사용하기 전에 기기의 정확도 점검해야 합니다.
- ▶ 기기 보관 시, 특히 기기를 자동차 내부에 보관할 경우에는 허용 온도한계값에 유의하십시오.

7.3 리튬 이온 배터리 관리

- ▶ 배터리를 깨끗하게 유지하고 오일 및 그리스가 묻지 않도록 하십시오. 실리콘이 함유된 표면 보호제를 사용하지 마십시오.
- ▶ 약간 물기가 있는 수건으로 바깥쪽을 정기적으로 청소해 주십시오.
- ▶ 습기가 스며들지 않도록 유의하십시오.
- ▶ Hilti 에서 허용하는 리튬 이온 배터리 충전기로 배터리를 충전하십시오.

7.4 운송

리튬 이온 배터리의 운반, 보관 및 사용에 대한 특수 지침에 유의하십시오. 기기를 운반하기 위해 충전용 배터리 및 배터리를 절연시키거나 기기로부터 분리해야 합니다. 배터리로부터 전해액이 누설되어 기기가 손상될 수 있습니다.



7.5 Hilti 측정 기술 서비스 센터

Hilti 측정 기술 서비스 센터는 점검 후 편차가 있는 경우 기기를 복원하여 기기의 품질 인증 사항을 다시 점검합니다. 점검하는 시점에 품질 인증은 서비스 센터를 통해 서면 인증서를 통해 승인됩니다. 권장사항:

- 사용 정도에 따라 적절한 검사 주기를 선택하십시오.
- 기기 하중이 특별히 높았던 경우, 중요한 작업을 시작하기 전 등 최소 일 년에 한 번은 Hilti 측정 기술 서비스 센터에서 점검을 받으십시오.

Hilti 측정 기술 서비스 센터에서 점검 받았다고 해서 기기 사용 전이나 사용 도중 기기 점검 의무가 없어지는 것은 아닙니다.

7.6 측정 정밀도 점검

기술 제원을 준수하기 위해 기기를 규칙적으로 (적어도 대형/중요 측정 시작 전마다) 점검해야 합니다. 기기가 높은 곳에서 떨어진 후에는 작동 성능을 점검해야 합니다. 다음 조건 하에서 기기가 완벽하게 작동된다고 가정할 수 있습니다.

- 낙하 시에 기술자료에 표시된 낙하 높이를 초과하지 않았습니다.
- 기기는 낙하 전에도 고장 없이 작동하였습니다.
- 기기가 낙하 시에 기계적으로 손상되지 않았습니다(예: 펜타프리즘 파손).
- 기기가 사용 시에 회전식 레이저빔을 생성합니다.

8 문제 발생 시 도움말

본 도표에 제시되어 있지 않거나 스스로 해결할 수 없는 문제가 발생한 경우 Hilti 서비스 센터에 문의하십시오.

장애	예상되는 원인	해결책
기기가 작동하지 않음.	배터리가 완전하게 삽입되지 않음.	▶ 이중으로 찰카하는 소리가 들릴 때까지 배터리를 맞물려 고정시키십시오.
	배터리가 방전되었음.	▶ 배터리를 교체하고 방전된 배터리를 충전하십시오.
배터리가 평소보다 더 빨리 방전됨.	주변 온도가 너무 낮음.	▶ 배터리를 서서히 실내 온도로 가열하십시오.
배터리를 밀어 넣을 때 찰카하는 소리가 들리지 않음.	배터리 래치 오염됨.	▶ 배터리 래치를 청소하고 배터리를 다시 끼우십시오.
기기 또는 배터리에서 과도한 열 발생.	전기적 결함	▶ 즉시 기기를 끄고, 배터리를 분리하여 관찰한 후 냉각시키십시오. Hilti 서비스 센터에 문의하십시오.

9 폐기

경고

부적절한 폐기로 인한 부상 위험! 새어나오는 가스 또는 용액으로 인한 건강상의 위험.

- ▶ 손상된 배터리는 전달하지 마십시오!
- ▶ 비전도성 소재로 연결 단자를 막아 두어 단락이 발생하지 않게 하십시오.
- ▶ 배터리가 어린이의 손에 닿지 않도록 폐기하십시오.
- ▶ Hilti Store에서 배터리를 폐기하거나 또는 담당 폐기물 처리 업체에 문의하십시오.

Hilti 기기는 대부분 재사용이 가능한 소재로 제작되었습니다. 재활용을 위해 개별 부품을 분리하여 주십시오. Hilti는 대부분의 국가에서 재활용을 위해 노후기기를 수거해 갑니다. Hilti 고객 서비스 센터 또는 판매 상담자에게 문의하십시오.

수명이 다 된 전자기기 및 배터리는 전기/전자-노후기계에 대한 EU 규정에 따라 그리고 각 국가의 법규에 명시된 방식에 따라 반드시 별도로 수거하여 친환경적으로 재활용되도록 하여야 합니다.



- ▶ 전자식 측정기를 일반 가정의 쓰레기처럼 폐기해서는 안 됩니다!

환경오염을 방지하기 위해 반드시 기기와 배터리를 해당 국가의 법규에 따라 폐기처리해야 합니다.



▶ 보증 조건에 관한 질문사항은 현지 Hilti 파트너사에 문의하십시오.

原版操作说明

1 关于本操作说明的信息

1.1 关于本操作说明

- **警告!** 在使用本产品之前, 请确保您已阅读并理解产品随附的操作说明, 包括说明、安全和警告通知、插图和规格。尤其要熟悉所有说明、安全和警告通知、插图、规格、组件和功能。否则可能会导致触电、火灾和/或严重伤害的风险。保存操作说明, 包括所有说明、安全和警告通知, 以供以后使用。
- 产品经设计适用于专业用户, 只有经过专门训练的授权人员才允许操作、维修和维护本产品。必须将任何可能的危险专门告知该人员。不按照说明使用或由未经培训的人员不正确地使用本产品及其辅助设备可能会带来危险。
- 随附的操作说明符合印刷时的最新技术水平。始终在 Hilti 产品页面上在线查找最新版本。为此, 请点击这些操作说明中标有 符号的链接或二维码。
- 仅将产品连同本操作说明一起交给他人。

1.2 使用符号的说明

1.2.1 警告

警告是为了提醒您在处理或使用此产品时会发生的危险。使用以下信号词:

-危险-

危险!

▶ 用于让人们能够注意到会导致严重身体伤害或致命的迫近危险。

-警告-

警告!

▶ 用于提醒人们注意可能导致严重或致命伤害的潜在危险。

-小心-

小心!

▶ 用于提醒人们注意可能造成人身伤害、设备损坏或其他财产损失的潜在危险情况。

1.2.2 文档中的符号

本文档中使用下列符号:

	请在使用之前阅读操作说明。
	使用说明和其他有用信息
	处理可回收材料
	不得将电气设备和电池作为生活垃圾处置

1.2.3 图示中的符号

图示中使用了下列符号:

	这些编号指本操作说明开始处的相应图示。
	图示中的编号反映操作顺序, 可能与文本中描述的步骤不同。
	概览图示中使用了项目参考号, 该参考号指的是产品概览部分中使用的编号。





这些符号旨在提醒您在操作本产品时要特别注意的某些要点。

1.3 与产品相关的符号

1.3.1 产品使用的符号

产品上可以使用下列符号：

	本产品支持无线数据传输，兼容 iOS 和 Android 平台。
	使用 Hilti 锂离子电池类型系列。请遵守“预期用途”一章中所述信息。
Li-Ion	锂离子电池
	切勿将电池用作敲击工具。
	请勿让电池掉落。切勿使用受到撞击或有任何损坏的电池。

1.4 产品信息

HILTI 产品经设计适用于专业用户，只有经过专门训练的授权人员才允许操作、维修和维护本产品。必须将任何可能的危险专门告知该人员。不按照既定用途使用或由未经培训的人员不正确地使用本产品及其辅助设备可能会带来危险。

型号名称和序列号印在铭牌上。

- ▶ 在下表中填写序列号。在联系 Hilti 维修中心或当地 Hilti 机构询问产品时，将要求您提供产品的详细信息。

产品信息	
旋转激光器	PR 3-HVSG A12
分代号	02
序列号	

1.5 符合性声明

按照我们单方面的责任，我们声明本产品符合下列适用指令和标准：一致性声明副本位于本文档结尾处。技术文档的存档和存放位置为：

Hilti Entwicklungsgesellschaft mbH | Tool Certification | Hiltistraße 6 | 86916 Kaufering, DE

2 安全

2.1 安全说明

2.1.1 有关安全的基本信息

请阅读所有安全说明和其它说明。未能遵守安全说明和其他说明可能导致电击、火灾和/或重伤。

保留所有安全注意事项和说明，以供将来参考。安全防护措施中使用的术语“电动工具”指电源供电（有线）的电动工具或电池供电（无线）的电动工具。

2.1.2 一般安全说明

- ▶ 保持警觉，注意您正在进行的工作，并在操作电动工具的过程中，应用自己的判断能力。当您疲劳或受到药物、酒精或医疗影响时，请不要使用电动工具。操作电动工具时，瞬间的分心都可能导致严重的人身伤害。
- ▶ 不得做出使安全装置无效的行为，并且不得除去安全信息和警告提示。
- ▶ 将激光工具放到儿童接触不到的地方。
- ▶ 如果没有按照正确的程序打开工具，可能发出二级以上的激光辐射。仅限由 Hilti 维修中心修理工具。
- ▶ 激光束应投射至远高于或远低于人眼的高度。
- ▶ 应考虑周围环境的影响。不要将工具用于存在火灾或爆炸危险的场合。
- ▶ 遵照 FCC §15.21 的声明：未经喜利得公司明确批准的改变或改装可能会限制用户操作本设备的权利。
- ▶ 在工具掉落或受到其它机械应力后，必须检查其精度。
- ▶ 当将工具从极冷的条件下带到温暖的环境（反之亦然）时，应先让其适应了新环境然后再使用。



- ▶ 确保在使用适配器或配件时，工具安装牢固。
- ▶ 保持激光出口孔清洁，以避免测量误差。
- ▶ 尽管设备的设计充分考虑了现场使用的苛刻条件，但是我们也应该象爱护其它光学和电子仪表 (例如双筒望远镜、眼镜、照相机) 一样精心地爱护它。
- ▶ 尽管本设备已经采取了防潮措施，但每次都必须将其擦干后才能放入工具箱。
- ▶ 在使用工具进行重要的测量工作之前，应检查工具。
- ▶ 在使用工具过程中，应检查几次测量精度。
- ▶ 确保工作场所保持良好照明。
- ▶ 避免接触触点。
- ▶ 注意小心维护本工具。检查是否存在运动部件失调或卡滞、部件断裂和任何其它影响工具操作的情况。使用工具之前，修理受损的部件。许多事故都是由于工具维护不良造成的。

2.1.3 工作区域准备充分

- ▶ 保证即将执行测量的区域的安全。安装 PR 3-HVSG A12 时，确保激光束没有直接对准其他人员或自己。
- ▶ 当使用梯子进行工作时，应避免不利的身体位置。应确保以安全的站姿工作并一直保持身体平衡。
- ▶ 在反光目标物或反光表面附近以及通过玻璃板或类似材料读取的读数可能导致结果不正确。
- ▶ 确保将本工具安放在稳定的水平面上 (不要使其受到振动)。
- ▶ 使用工具时不要超过其规定的限值。
- ▶ 按照操作说明并以特定类型工具特有的方式使用工具及其配件等。同时要考虑工作环境和将要执行的任务。将工具用于指定用途以外的任何用途都将导致危险。
- ▶ 不允许在高架高压电缆附近使用伸缩杆。
- ▶ 确保附近没有其它 PR 3-HVSG A12 在使用。IR 控制器会影响您正在使用的工具。应时常检查设备。

2.1.4 电磁兼容性

虽然工具符合适用指令的严格要求，但是 Hilti 不排除下列可能性：

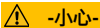
- 工具可能受到强电磁辐射的影响，进而导致不当操作。
- 在这些情况下，或如果您不确定，应当通过其他方式执行验证性测量。
- 本工具可能干扰其他设备 (比如飞机导航设备)。

仅用于韩国：

本设备适用于居住环境中遇到的电磁辐射 (B 类)。它主要设计用于居住环境，但也可用于其它环境。

2.1.5 二级激光产品的激光级别

根据 IEC60825-1:2007 / EN60825-1:2007，本工具属于二级激光产品。这些装置可以在没有进一步保护措施情况下使用。



人身伤害的危险！也不要将激光束对准他人。

- ▶ 绝对不要直视激光光源。在眼睛直接接触激光束的情况下，请闭上眼睛并扭头以避免光束。

2.1.6 小心地使用电池供电工具

- ▶ 不要使电池暴露在高温和日光直射条件下，使其远离火源。会有爆炸危险。
- ▶ 请勿拆开、挤压或烧毁电池，不要让它们暴露在超过 80°C (176°F) 的高温下。接触腐蚀性物质会带来火灾、爆炸或受伤危险。
- ▶ 不要使电池承受过重的机械冲击，不要抛掷电池。
- ▶ 电池必须放在儿童的接触范围之外。
- ▶ 注意避免湿气侵入。湿气侵入可能会导致短路，从而造成烧伤或火灾危险。
- ▶ 如果持续滥用电池，则可能会造成液体从电池中泄漏出来。注意避免接触该液体。如果意外接触到液体，应用水冲洗。如果液体接触眼睛，也请就医。接触到从电池中泄漏出来的液体会导致疼痛或灼伤。
- ▶ 只能使用经认可与适用工具配套的电池型号。如果使用其它电池或将电池用于非指定用途，则会有火灾和爆炸危险。
- ▶ 将电池存放在凉爽且干燥的地方。切勿将电池存放在阳光直射或热源处，例如加热器/散热器上或玻璃后方。
- ▶ 当不使用时，让电池和充电器远离回形针、硬币、钥匙、钉子、螺钉或其它它在电池接线端或充电器触点上导致短路的小金属物件。电池或充电器的触点短路可能导致烧伤或引起火灾。
- ▶ 对于已损坏的电池 (例如出现裂纹、部件断裂、触点弯曲或压入和/或拉出的电池)，请不要充电或继续使用。
- ▶ 充电时只能使用制造商指定的充电器。适合某种类型电池的充电器如果被用于为另一类型电池充电，则可能会带来火灾危险。

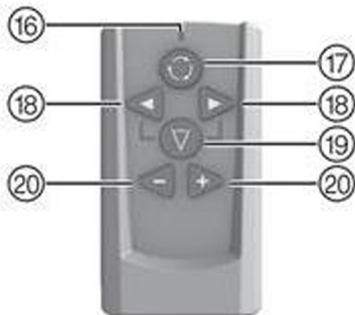
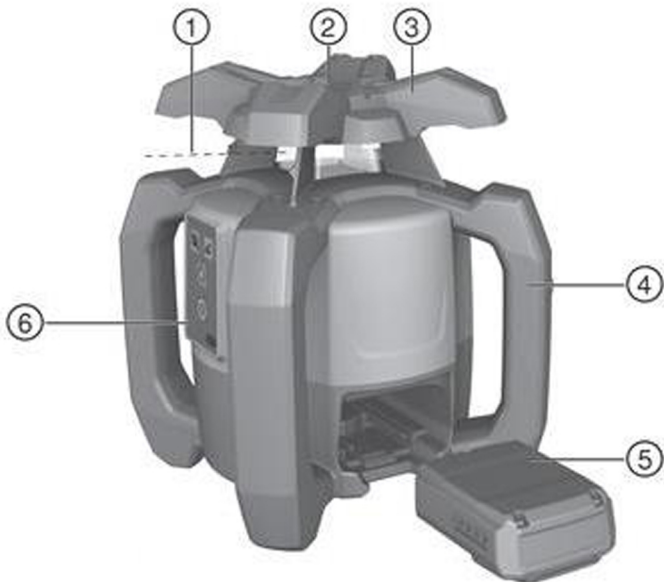


- ▶ 遵守适用于锂离子电池运输、储存和使用的专用指南。
- ▶ 装运或邮递本工具前，必须对电池进行绝缘或将其从工具中取出。否则电池泄漏可能会损坏工具。
- ▶ 如果电池在未使用期间显著变热，则可能指示电池或工具/电池系统发生了故障。在这种情况下，将工具置于非易燃性区域，使其远离易燃性材料，然后在此进行观察，使其冷却。

3 说明

3.1 产品概述

3.1.1 PR 3-HVSG 旋转激光器



键

- ① 激光束 (旋转平面)
- ② 90° 基准光束
- ③ 把手

- ④ 锂离子电池
- ⑤ 控制面板
- ⑥ 带 5/8" 螺纹的底座



3.1.2 PR 3-HVSG A12 控制面板

键

- | | |
|--------------|--------------|
| ⑧ LED：自动调平 | ⑫ 按钮：倾斜角 |
| ⑨ 按钮：电击警告停用 | ⑬ 按钮：转速 |
| ⑩ LED：电击警告停用 | ⑭ 按钮：“打开/关闭” |
| ⑪ LED：倾斜角 | ⑮ 电池状态 |

3.1.3 PRA 2 遥控装置

键

- | | |
|----------------|----------------|
| ⑯ LED：发送命令 | ⑲ 按钮：激光线功能 |
| ⑰ 按钮：转速 | ⑳ 伺服系统按钮 (+/-) |
| ⑱ 按钮：线方向 (左/右) | |

3.2 合规使用

所述产品为带可见绿色旋转激光束的旋转激光工具，其基准光束设置为与主光束成 90°。旋转激光器可垂直使用、水平使用以及用于倾斜平面。本工具设计用于测定、传输和检查水平度、垂直度、斜度和直角。应用示例包括传输裂缝米数和裂缝高度、确定墙面直角、与基准点的垂直对齐或创建斜度。

- ▶ 本产品仅限使用 HiltiB 12/2.6 或 B 12-30 Li-Ion 电池。
- ▶ 本产品仅限使用 C 4/12-50Hilti 充电器。

3.3 特点

单人便可使用本工具在任何平面上快速进行调平或校准，且精度极高。

有 4 种旋转速度可供使用 (0、90、300、600 rpm)。预设的旋转速度为 300 rpm。

工具配备的工作状态指示器包括：自动调平 LED、倾斜角 LED 和电击警告 LED。

当一个或两个轴的自动调平启动时，内置伺服系统会确保维持指定的精度。当本工具无法自调平 (比如工具位于自调平范围之外，或运动机械受阻)，或中断调平 (由于振动或冲击)，则激活自动断路。当工具自动关闭时，旋转停止且所有 LED 都闪烁。

激光束的能见度可能会因工作距离和环境亮度而被削弱。可使用目标板来提高激光束的能见度。在激光束能见度下降的情况下，比如在耀眼的阳光下，建议使用激光接收机 (配件)。

水准测量

打开后，工具通过两个内置伺服电机自动自调平，自调平范围为 $\pm 5^\circ$ 。用 LED 指示工具的当前工作状态。本工具可直接安装在地面或地板、三脚架或合适的安装支架上。

垂直校准将自动进行。PRA 2 遥控装置上的 +/- 按钮可用于手动校准垂直平面 (枢轴旋转)。

在斜面模式中，斜度可通过 PRA 2 遥控装置手动调节为 $\pm 5^\circ$ 。或者在斜面模式中，可使用斜度适配器调节斜度达 60%。

由于其内置电击警告功能，本工具在调平中断 (由于操作期间的振动或冲击等原因) 时切换至警告模式 (警告模式在自调平完成后持续 2 分钟)。所有 LED 闪烁，激光束停止旋转并且激光关闭。

与其他设备一起使用

PRA 2 遥控装置可用于从远处便捷地操控旋转激光器。其遥控功能也可用于对激光束进行调整校准。

Hilti 激光接收机可用于在远距离处探测和指示激光束。有关更多信息，请参考激光接收机的操作说明。

3.4 LED 指示器

旋转激光器配备一个 LED 显示屏。

状态	含义
所有 LED 均闪烁	工具因冲击、碰撞已失去水平度或出现其它故障。
自动调平 LED 闪烁绿光	工具处于调平状态。
自动调平 LED 持续亮绿灯	工具已自我调平/正在正常工作。
电击警告 LED 持续亮橙灯	电击警告模式已停用。
倾斜 LED 持续亮橙灯	斜面模式启用。

3.5 锂离子电池充电状态指示灯

锂离子电池配备充电状态显示屏。



状态	含义
4 个 LED 亮起。	充电状态：75% 至 100%
3 个 LED 亮起。	充电状态：50% 至 75%
2 个 LED 亮起。	充电状态：25% 至 50%
1 个 LED 亮起。	充电状态：10% 至 25%
1 个 LED 闪烁。	充电状态：< 10%

i 在工具操作过程中，电池的充电状态通过工具上的显示屏指示。
 工具未运行时，可通过轻轻按下释放按钮指示电池的充电状态。
 充电期间的充电状态通过电池上的 LED 进行指示 (请参照充电器的操作说明)。

3.6 包装清单

PRA 2 旋转激光器、PRA 54 遥控装置、PR 3-HVSG A12 目标板、2 个电池 (规格 AA)、2 本制造商证书、操作说明。

i 经批准可以与本产品搭配使用的其他系统产品，可以在您当地的 www.hilti.group 购买或访问 Hilti Store 在线订购

4 技术数据

额定电压	10.8 V
额定电流	160 mA
高于参考高度的最大使用高度	2,000 m (6,561 ft - 8 in)
最大相对湿度	90 %
接收范围 (直径)	150 m
通信范围 (PRA 2)	30 m
10 m 时的精度 (标准环境条件, 遵照 MIL-STD-810G)	±1 mm
激光等级	可见, 2 级激光, 510-530 nm/ $P_{o} < 4.85 \text{ mW} \geq 300 \text{ /min}$; EN 60825-1:2007; IEC 60825-1:2007
工作温度	-10 °C ... 50 °C
存放温度	-25 °C ... 63 °C
重量包含 B222.6 或 B 12-30 电池	2.4 kg
掉落测试高度 (标准环境条件, 遵照 MIL-STD-810G)	1.5 m
三脚架螺纹	5/8 in
防护等级符合 IEC 60529	IP 56

5 在使用之前

5.1 正确操作激光器和电池

- ▶ 图 1：在水平模式下工作。
- ▶ 图 2：在斜面模式下，应在控制面板侧提升激光器。
- ▶ 图 3：在倾斜位置放下或运输。
 - ▶ 固定住激光器，确保电池盒没有朝上，以免湿气进入。

i B12 电池无防护等级。不要将电池暴露在雨水或潮湿环境中。根据 Hilti 说明，电池只能与相关产品一起使用，且必须插在为此准备的电池盒中。



5.2 插入电池 4

-小心-

伤害风险 产品无意中启动。

- ▶ 安装电池前，检查并确保本产品已关闭。

-小心-

电气危险。触点脏污可能导致短路。

- ▶ 插入电池前，先检查并确认电池和工具上的触点未沾有任何异物。

-小心-

人身伤害的危险。如果未正确安装，则电池可能掉出并掉下。

- ▶ 检查并确认电池在工具中可靠入位，以免因其掉出和掉下而为他人带来危险。

- ▶ 安装电池，检查并确认电池在工具中牢固入位。

5.3 拆下电池 5

- ▶ 拆下电池。

6 操作

6.1 打开工具

- ▶ 按下“打开/关闭”按钮。



在打开后，工具自动开始自我调平。

使用本工具执行重要任务之前，先检查工具的精度，尤其是在工具曾经跌落或受到异常影响或碰撞等时。

6.2 在水平平面上的操作 3

1. 将本工具安装至合适的安装装置上。



墙装支架或三脚架可用作安装装置。工具站立表面的倾斜角度应不超过 $\pm 5^\circ$ 。

2. 按下“打开/关闭”按钮。自动调平 LED 闪烁绿光。



工具完成自调平后，激光器立即打开，激光束开始旋转且“自动调平”LED 亮起。

6.3 在垂直平面上的操作 7

1. 放置或安装工具，使控制面板向上。



为了保持能够获得工具的规定精度，应确保将其安装在水平表面上或足够水平地安装在三脚架或其它配件上。

2. 使用可视化瞄准辅助器调节工具，以便让垂直轴定位在需要的方向。



工具完成自调平后，激光器立即打开，激光束开始旋转且“自动调平”LED 亮起。

3. 按下“打开/关闭”按钮。在自动自调平之后，工具垂直向下地投射一条固定的激光束。该投射点为参考点，用于定位工具。
4. 按下旋转速度按钮，以查看整个旋转平面上的激光束。
5. 通过按下遥控装置上的 + 和 - 按钮，垂直旋转激光束可移动至左侧或右侧达 5° 。

6.4 倾斜

为获得最优结果，检查并确认 PR 3-HVSG A12 已正确对准。完成此检查的最好方法是，在工具的左侧或右侧选择 2 个点，每个点与工具相距 5 m (16 英尺) 且两点连线平行于工具轴线。首先标记水平平面的高度，然后在设置斜度后，再次标记高度。仅当这些高度在两点上都相同时，工具才最佳对准。



6.4.1 手动设置斜度

1. 将工具安装在适于操作的位置，例如三脚架上。
2. 将旋转激光器置于斜面的上边缘或下边缘。
3. 站在工具后面，面对控制面板。
4. 借助工具头部的目标槽口，将工具粗略对准直到与倾斜平面平行。
5. 打开工具，然后按下“斜面模式”按钮。然后“斜面模式”LED 亮起。一旦工具已自调平，激光束即打开。
6. 要倾斜旋转表面，可按下遥控装置上的 + 或 - 按钮。或者使用斜度适配器 (配件)。



手动设置倾角时，旋转激光器调平激光平面一次，然后将其固定一次。请注意：该旋转激光器不会纠正倾斜激光平面由于环境条件变化和/或安装位置移动而可能出现的偏差。振动、温度变化或在一天当中可能变化的其它因素都会影响激光平面的位置。

7. 要返回到标准工作模式，必须关闭工具然后重新启动。

6.4.2 使用斜度适配器设置斜度

1. 在三脚架上安装一个适当的斜度适配器。
2. 将三脚架置于斜面的上边缘或下边缘。
3. 在斜度适配器上安装旋转激光器，并借助 PR 3-HVSG A12 头部的目标槽口通过斜度适配器调整工具，使其与斜面平行。
4. 确保斜度适配器处于零位 (0°)。



PR 3-HVSG A12 的控制面板必须背对倾斜方向。

5. 打开工具。
6. 按下“斜面模式”按钮。然后，旋转激光器控制面板上的“斜面模式”LED 亮起。工具随后开始自动进行自调平。自调平完成后，激光器立即打开并开始旋转。
7. 将斜度适配器设置至所需的倾角。



手动设置倾角时，旋转激光器调平激光平面一次，然后将其固定一次。请注意：该旋转激光器不会纠正倾斜激光平面由于环境条件变化和/或安装位置移动而可能出现的偏差。振动、温度变化或在一天当中可能变化的其它因素都会影响激光平面的位置。

6.5 使用 PRA 2 遥控装置时的操作

PRA 2 遥控装置令与旋转激光器的配套使用更加方便且对于某些功能的使用是必需的。

选择旋转速度

打开后，旋转激光器总是以 300 rpm 的速度开始运行。低速旋转让激光束显示特别亮。而高速旋转能让激光束更稳定。通过按下“旋转速度”按钮数次可调节旋转速度。

选择激光线功能

通过按下遥控装置上的激光线功能按钮可使激光束覆盖区域缩变为一条激光线。之后激光束 (线) 会明显变亮。通过多次按下激光线功能按钮可调节激光线的长度。激光线的长度取决于激光工具与墙壁或工作表面之间的距离。通过按下方向按钮 (向左/向右) 可将激光束调节至期望的方向。

6.6 停用电击警告功能

1. 打开工具。
2. 按下“停用电击警告”按钮。电击警告停用 LED 持续亮起，指示该功能已停用。
3. 要返回至标准操作模式，先关闭工具，然后将其重新打开。

6.7 检查主轴和横向水平轴

1. 在距离墙壁大约 20 m (66 英尺) 处安放三脚架，并用水平仪将三脚架头调平。
2. 将工具安装到三脚架上，使用视觉瞄准方法 (前后准星) 将工具对准墙壁。
3. 使用激光接收机捕捉激光束并在墙壁上标记一个点 (点 1)。
4. 将工具绕其自身轴线顺时针旋转 90°。在此期间，确保工具的高度保持不变。
5. 使用激光接收机捕捉激光束并在墙壁上标记第二个点 (点 2)。



6. 重复执行前两个步骤两次，然后使用激光接收机捕获激光束，并在墙上标记点 3 和 4。



当准确执行了这些步骤时，两个标记点 1 和 3 之间 (主轴) 或点 2 和 4 之间 (横向轴) 的垂直距离应分别小于 3 mm (在 20 m 处) (0.12", 在 66 英尺处)。如果偏差过大，应将工具送回至 Hilti 维修中心进行校准。

6.8 检查垂直轴

1. 将工具垂直放置在地板或地面上，地板或地面应尽可能平坦，并距墙壁约 20 m (66 英尺)。
2. 调整工具的位置，以便让把手与墙壁平行。
3. 打开工具并在地面或地板上标记参考点 (R)。
4. 使用激光接收机，标记激光点 (A) 在墙壁上的位置。选择中等速度。
5. 使用激光接收机，在大约 10 m (33 英尺) 的高度处标记点 (B)。
6. 将工具旋转 180°，并将其与地面或地板上的参考点 (R) 和墙壁底部的点 (A) 重新对准。
7. 使用激光接收机，在大约 10 m (33 英尺) 的高度处标记点 (C)。



当准确执行了这些步骤时，10 m 高度处标记的两点 (B) 和 (C) 之间的水平距离应小于 2 mm (10 m 高度) (0.08", 33 英尺高度)。如果偏差较大：请将工具返回至 Hilti 维修中心进行校准。

7 保养、维护、运输和存放

7.1 清洁和干燥

- ▶ 吹掉激光出口窗上的所有灰尘。
- ▶ 不要使用手指触碰激光出口窗。
- ▶ 仅使用干净的软布清洁工具。必要时可用纯酒精或少量清水略微润湿软布。



研磨性清洁材料会刮花镜片并损害激光工具的精度。不要使用除纯酒精或水之外的任何液体进行清洁，否则可能会损坏塑料部件。

当干燥设备时，应遵循相关的温度限制。

7.2 存放

- ▶ 存放工具时，必须确保其干燥。收起之前，必须干燥工具。
- ▶ 请务必先清洁工具、其运输箱和配件，然后再进行存放。
- ▶ 在长时间存放或运输后，在投入使用前应检查设备的精度。
- ▶ 当存放设备时，应遵循相关的温度限制。如果设备存放在车辆内部，则这一点在夏季或冬季尤其重要。

7.3 锂离子电池的保养

- ▶ 保持电池清洁且没有油脂。不要使用含硅的清洁剂。
- ▶ 定期用微湿的布清洁外表面。
- ▶ 不要使内部受潮。
- ▶ 使用指定用于锂电池的 Hilti 充电器为电池充电。

7.4 运输

遵守适用于锂离子电池运输、储存和使用的专用指南。

装运或邮递本工具前，必须对电池进行绝缘或将其从工具中取出。否则电池泄漏可能会损坏工具。

7.5 Hilti Measuring Systems 维修中心

Hilti Measuring Systems 维修中心负责检查本产品，并在发现偏离指定精度时重新校准工具并再次进行检查，以确保工具符合规范。维修证明用于以书面形式确认工具在接受测试时符合规范。建议执行以下操作：

- 应根据工具使用的程度选择合适的测试间隔。
- 本工具在过度使用或在不正常条件或压力下使用后，由 Hilti Measuring Systems 维修中心在执行重要工作之前进行检查或至少每年检查一次。

将本产品交由 Hilti Measuring Systems 维修中心检查后，不免除用户在使用工具之前或使用工具期间检查工具的义务。



7.6 检查精度

为了确保符合技术规格，应定期检查工具（在每次重要/关键测量任务之前至少检查一次）。从非常高的位置掉落，应检查工具是否能够正确和精确的工作。如果满足下列条件，可视为本工具能够正常工作：

- 掉落高度不超过技术数据中给定的高度。
- 工具在碰撞前无故障工作。
- 工具未因碰撞受到明显的机械损坏（例如五棱镜破裂）。
- 工具在工作时投射旋转激光束。

8 故障排除

如果您碰到的问题未在此表中列出或您无法自己实施补救措施，请联系 **Hilti** 维修中心。

故障	可能原因	解决方案
工具不工作。	电池未完全插入。	▶ 推入电池直至听到它接合的双“咔哒”声。
	电池电量低。	▶ 更换电池，并对已放电电池充电。
电池比平常更快耗尽。	非常低的环境温度。	▶ 将电池缓慢预热至室温。
电池未接合（没有发出咔哒声）。	电池上的固定凸耳脏污。	▶ 清洁固定凸耳，然后重新安装电池。
工具或电池过热。	电气故障。	▶ 立刻关闭电动工具，拆下电池，进行观察，使其冷却并联系 Hilti 维修中心。

9 废弃处置



-警告-

废弃处理不当会有人身伤害的危险！漏出的气体或液体会带来健康危害。

- ▶ 不得通过邮寄方式发送任何电池。
- ▶ 用非导电材料（比如绝缘带）包住端子，以防止短路。
- ▶ 在儿童接触不到的地方处置电池。
- ▶ 请将电池送交 **Hilti Store** 处置，或咨询当地的废弃处理机构以获取处置说明。

大部分用于 **Hilti** 工具和设备生产的材料是可回收利用的。在可以回收之前，必须正确分离材料。在很多国家，您的旧工具、机器或设备可送至 **Hilti** 进行回收。敬请联系 **Hilti** 维修中心或 **Hilti** 代表获得更多信息。

遵守欧洲指令和地区法律有关废弃电子和电气设备的规定，并且废弃处置的实施应该符合国家法律。必须单独收集已达到使用寿命期限的电动工具或设备和电池，并以环保的方式进行回收。



- ▶ 不要将电子测量工具与家庭垃圾一起进行废弃处置。

为了避免污染环境，必须按照当前适用的国家规定废弃处置工具或设备和电池。

10 制造商保修

- ▶ 如对保修条件有任何疑问，请联系您当地的 **Hilti** 代表。



原始操作說明

1 關於操作說明的資訊

1.1 關於本操作說明

- 注意！在使用本產品之前，請確保您已閱讀並瞭解產品隨附的操作說明書，包括說明、安全性和警示注意事項、圖解和規格。尤其是熟悉所有說明、安全性和警示注意事項、圖解、規格、組件和功能。若未遵守，可能會導致觸電、火災和/或嚴重傷害的風險。妥善保存操作說明書，包括所有說明、安全性和警示注意事項，以備日後使用。
- 產品是針對專業使用者設計，故僅經訓練、認可的人員可操作、維修與維護本產品。必須告知上述人員關於可能遭遇到的特殊危險。若因未經訓練人員操作錯誤或未依照其原本的用途操作，則本產品和它的輔助工具設備有可能會發生危險。
- 隨附的操作說明書符合印刷時的最新技術水準。您隨時可在Hilti產品頁面上尋找最新版本。為此，請點選操作說明書中標示 符號的連結或QR碼。
- 將產品交予他人時，必須連同本操作說明書一併轉交。

僅適用於台灣

進口商: 喜利得股份有限公司

地址: 新北市板橋區

新站路16號24樓22041

電話: 0800-221-036

1.2 已使用的符號說明

1.2.1 警告

警告使用本產品的人員可能發生之危險。採用了以下標示文字：



危險

危險！

- ▶ 此標語警示會發生對人造成嚴重傷害甚至致死的危險情形。



警告

警告！

- ▶ 此標語警示會造成嚴重傷害甚至致死危險的潛在威脅。



注意

注意！

- ▶ 請小心會造成人員受傷或對設備及其他財產造成損害的潛在危險情況。

1.2.2 文件中的符號

本文件中採用以下符號：



使用前請閱讀操作說明。



使用說明與其他資訊



處理可回收的材料



不可將電子設備與電池當作家庭廢棄物處置

1.2.3 圖解中的符號

圖解中採用了以下符號：

2

號碼對應操作說明的開始處的圖解

3

編號代表圖解中的操作步驟順序，可能與內文中的步驟有所不同



11	項目參考編號用於總覽圖解，並請參閱產品總覽章節中使用的編號
	本符號是為了讓您在操作本產品時可以注意某些重點。

1.3 產品專屬符號

1.3.1 產品上的符號

產品上會採用下列符號：

	本產品支援相容於iOS及Android平台的無線資料傳輸。
	使用Hilti鋰電池類型系列。請遵守用途一節所提供之資訊。
Li-Ion	鋰電池
	請勿將電池使用作為敲擊工具。
	避免電池掉落。不得使用遭受衝擊或其他原因遭成損壞的電池。

1.4 產品資訊

HILTI 產品是針對專業使用者設計，故僅經訓練、認可的人員可操作、維修與維護本產品。必須告知上述人員關於可能遭遇到的特殊危險。若因未經訓練人員操作錯誤或未依照其原本的用途操作，則本產品和它的輔助工具設備有可能會發生危險。

類型名稱和序號都標示於額定銘牌上。

- ▶ 在下方表格中填入序號。與Hilti維修中心或當地Hilti機關聯絡查詢產品相關事宜時，我們需要您提供產品詳細資訊。

產品資訊

旋轉雷射測量儀	PR 3-HVSG A12
產品代別	02
序號	

1.5 符合聲明

基於我們唯一的責任，本公司在此聲明本產品符合適用的指示或標準。本文件結尾處有符合聲明之副本。

技術文件已歸檔並存放在：

Hilti Entwicklungsgesellschaft mbH | Tool Certification | Hiltistraße 6 | 86916 Kaufering, DE

2 安全性

2.1 安全說明

2.1.1 基本安全相關資訊

請詳閱所有的安全說明及其他說明。未能遵守安全說明和其他說明可能會導致電擊、火災和（或）嚴重受傷。

保留所有安全須知與說明以供日後參考。安全說明中所稱的「電子機具」係指使用電源（有線）或電池（無線）的電子機具。

2.1.2 一般安全須知

- ▶ 操作電子機具時，請提高警覺，注意進行中的工作並善用常識。感到疲勞或受到藥物、酒精或治療的影響時勿使用電子機具。操作此電子機具時一不留神，便可能導致嚴重人身傷害。
- ▶ 勿使用任何失效的安全保護裝置，並請勿移除任何標示或警告標誌。
- ▶ 將雷射機具放置在兒童無法取得之處。
- ▶ 未依照正確程序開啟機具，可能會導致超過等級2的雷射照射。僅可將機具交付Hilti維修中心修理。
- ▶ 雷射光束平面應投射在高於或低於視線高度。
- ▶ 請將周遭環境的影響列入考量。不可在有可能發生火災或爆炸危險的地方使用機具。
- ▶ 根據FCC §15.21聲明：進行未經Hilti許可之變更或改裝會限制使用者操作該設備的授權。



- ▶ 機具掉落或受到其他機械物體撞擊力後，使用者應檢測其準確度。
- ▶ 將機具從很冷移到溫暖的環境，或將機具從很熱移到冰冷的環境時，使用前應先讓機具適應溫度。
- ▶ 如果變壓器或其他配件時，請確定機具已確實架好。
- ▶ 保持雷射光束孔潔淨，以避免誤測。
- ▶ 雖然本設備設計可在不良的工作環境中使用，但仍應像其他光學器材（如雙目鏡、眼鏡、相機）般謹慎使用。
- ▶ 雖然本設備有防潮設計，但在放入攜帶盒前，應先將設備擦乾。
- ▶ 機具進行重要測量工作前，應先作檢查。
- ▶ 使用本機具時，應進行數次檢查測量值準確度。
- ▶ 確保工作場所良好的照明。
- ▶ 請避免觸碰充電接觸點。
- ▶ 請小心謹慎維護機具。觀察機器上的旋轉零件是否運作正常，轉動時會不會卡住。檢查是否有零件損壞，是否有任何會影響機具正常運作的異常現象。如果機具受損，請先修理再使用。很多意外是機具維護不當而引起的。

2.1.3 適當的工作場所準備

- ▶ 維護您進行測量場地的安全。設定PR 3-HVSG A12時，請確定雷射光束不會直射他人或自己。
- ▶ 在梯子上作業時，應避免不良的操作姿勢。隨時確定以安全的姿勢進行工作並保持身體平衡。
- ▶ 相對物件或表面附近取得的讀數，因玻璃片或相似物質會出現不正確的結果。
- ▶ 確實將本機具架立在穩定、水平的表面上（不會晃動）。
- ▶ 僅可在指定的使用限制範圍內使用本機具。
- ▶ 請依照操作說明或適用特定型號機具的操作方法操作機具。請考量工作環境以及欲進行的作業。將機具用在原目的之外的用途，可能會造成危險。
- ▶ 不可於頭頂高度以上的電壓纜線使用伸縮標尺。
- ▶ 請確認附近未使用其他的PR 3-HVSG A12。IR控制器可能會影響您所使用的機具。請定期檢查設備。

2.1.4 電磁相容性

雖然本產品是遵照適用規定的最嚴謹標準而製造，但Hilti無法完全排除發生下列情況的可能性：

- 機具可能會受制於電磁輻射所引起之負面影響，而導致錯誤操作。
若有這種情況或不確定是否有這種情況，應使用其他方法確定測量結果。
- 本工具會造成其他裝置的干擾（例如航空器導航設備）。

僅適用於韓國：

本設備適用於住宅區內之電磁輻射干擾（等級B）。本機具專為室內住宅區內使用而設計，也可以在其他環境下使用。

2.1.5 雷射等級2產品之雷射類別

本機具符合IEC60825-1:2007 / EN60825-1:2007的雷射等級2。這種裝置可在沒有進一步保護措施的情況下使用。

注意

有受傷的危險！勿將光束直射他人。

- ▶ 請勿直視雷射光束來源。若眼睛直接接觸時，請閉上眼睛，並將您的頭移出雷射光束的路徑。

2.1.6 小心使用電池式機具

- ▶ 請勿讓電池暴露在高溫下、讓陽光直接照射、並且遠離火焰。否則會有爆炸風險。
- ▶ 請勿拆解、擠壓或焚燒電池，且不可將電池置放在溫度超過80°C（176°F）的環境中。與腐蝕性物質接觸會有發生火災、爆炸或受傷的風險。
- ▶ 不可讓電池受到過大機械衝擊，且切勿投擲電池。
- ▶ 電池必須放置在兒童無法取得之處。
- ▶ 避免濕氣進入。濕氣進入可能會引起短路，造成燙傷或起火的危險。
- ▶ 電池若不當使用可能會滲出液體。請避免接觸該液體。若不慎接觸，請以清水沖洗。如果不小心讓液體接觸到眼睛，請立即尋求就醫治療。從電池中滲出的液體，可能會導致過敏或燙傷。
- ▶ 僅可使用適合本機具使用且經認可的電池型號。使用其他電池，或將電池用在原設計以外的用途可能會發生火災與爆炸。
- ▶ 請將電池貯放於陰涼乾燥處。請勿將電池放在陽光直射的處所或熱源附近（如加熱器 / 散熱器旁，或玻璃後方）。
- ▶ 電池及充電器不使用的時候，請遠離紙夾、錢幣、鑰匙、釘子、螺絲，或其他會在電池正負極或充電接觸點造成短路的小型金屬物件。讓電池或充電器的接點短路可能造成燒傷或起火的危險。

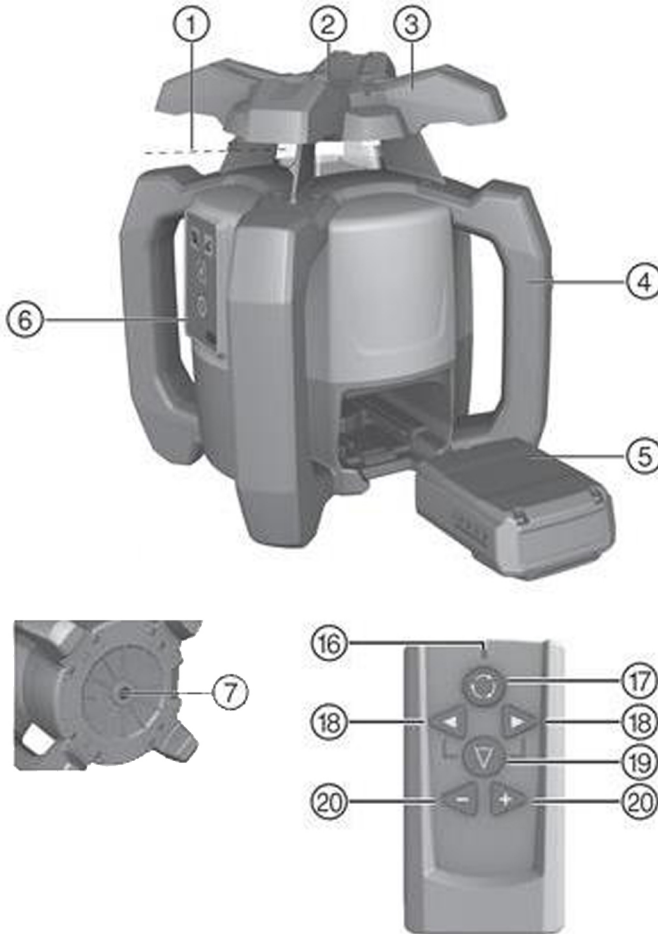


- ▶ 請勿充電或繼續使用受損電池（意即有龜裂、破損、彎曲或接觸點凹陷及 / 或突起）。
- ▶ 僅使用原廠指定的充電器進行充電。將適合特定類型電池的充電器使用在其他電池時，會有引發火災的危險。
- ▶ 遵守適用於鋰電池之運送、存放與使用的特別指南。
- ▶ 機具被運送或郵寄前，工具裡的電池一定要被絕緣或移開。漏電電池會損壞機具。
- ▶ 若電池未使用時溫度明顯提高，表示電池或機具 / 電池系統可能故障。此時，可將機具置於可隨時觀察並靜置冷卻的非易燃位置，同時遠離易燃物質。

3 說明

3.1 產品總覽

3.1.1 PR 3-HVSG旋轉雷射水平儀



按鍵

- | | |
|--------------|--------------|
| ① 雷射光束（旋轉平面） | ④ 鋰電池 |
| ② 90°參考光束 | ⑤ 控制面板 |
| ③ 握把 | ⑥ 附5/8"螺紋的底座 |



3.1.2 PR 3-HVSG A12控制面板 1

按鍵

- | | |
|--------------|------------|
| ⑧ LED：自動調平 | ⑫ 按鈕：傾斜度 |
| ⑨ 按鈕：震動警告解除 | ⑬ 按鈕：旋轉速度 |
| ⑩ LED：震動警告解除 | ⑭ 按鈕：「開/關」 |
| ⑪ LED：傾斜度 | ⑮ 電池電量 |

3.1.3 PRA 2遙控裝置 2

按鍵

- | | |
|-----------------|--------------|
| ⑯ LED：指令已傳送 | ⑲ 按鈕：標線功能 |
| ⑰ 按鈕：旋轉速度 | ⑳ 伺服按鈕 (+/-) |
| ⑱ 按鈕：標線按鈕 (左/右) | |

3.2 用途

本產品係為旋轉雷射水平儀，具有可見綠色旋轉雷射光束，以及設定與主光束呈現90°夾角的參考光束。旋轉雷射水平儀可用於垂直、水平與傾斜之平面。本機具之設計用途為水平、垂直、斜面和直角的判斷、調整和檢查。應用實例為轉移基準標線和高度標線、測定牆面直角、垂直對齊參考點或製造斜面。

- ▶ 本產品僅可使用Hilti B 12/2.6或 B 12-30鋰電池。
- ▶ 本產品僅可使用 C 4/12-50Hilti充電器。

3.3 產品特點

機具能讓單一操作人員在任何平面上快速又精確完成調平或定位動作。

有4種旋轉速度可供使用（每分鐘0、90、300、600轉）。預設旋轉速度為每分鐘300轉。

此機具配備如下操作狀態指示器：自動調平LED燈，傾斜度LED燈，以及電擊警告LED燈。

啟動一個或兩個軸作自動調平時，此內建伺服系統可確保維護指定的精確度。機具無法自動調平（例如機具在自動調平範圍外，或機械移動受到阻礙）或因震動或衝擊而傾倒時，自動斷電將會啟動。機具自動關閉時，轉動會停止且所有的LED會閃爍。

視作業距離及週遭環境光線而定，雷射光束的能見度可能會減弱。使用目標板可改善雷射光束的能見度。在雷射光束能見度減弱的情況下，建議您使用雷射接收器（配件）。

調平

機具啟動後，會自動藉由內建的兩部伺服馬達調平，範圍為±5°。LED燈號會顯示機具目前的操作狀態。可直接將機具架設在地面或地板、三腳架或適合的支架上。

垂直調整可自動執行。使用PRA 2遙控裝置的+/-按鈕即可以手動方式進行垂直面校準（旋轉）。

在傾斜面模式中，可透過PRA 2遙控裝置的輔助手動調整傾斜度，範圍最大為±5°。或者可在傾斜面模式中使斜面轉接器調整斜面，最多可調整60%。

內建的震動警告功能可在機具受到撞擊傾倒時切換至警告模式，例如操作時受到震動或衝擊（警告模式會在完成自動調平後二分鐘結束）。所有燈號閃爍，雷射光束停止旋轉且關閉。

與其他裝置結合

PRA 2遙控裝置可於一段距離外方便地控制旋轉雷射測量儀。該遙控功能亦可用來調整雷射光束。

Hilti雷射接收器可用來偵測和顯示長距離的雷射光束。若欲取得詳細資訊，請參照雷射接收器操作說明。

3.4 LED指示燈

旋轉雷射測量儀配備有LED顯示幕。

狀態	意義
所有的LED閃爍	機具遭受撞擊、失去平衡或受到其他錯誤影響。
自動調平LED閃爍綠燈	機具正在調平。
自動調平LED持續亮起綠燈	機具已自動調平 / 機具運作正常。
震動警告LED持續亮起橘燈	電擊警告模式停用。
傾斜度LED持續亮起橘燈	已啟動傾斜面模式。

3.5 鋰電池充電狀態顯示

鋰電池具顯示充電狀態的功能。



狀態	意義
4個LED亮起。	充電狀態：75 %至100 %
3個LED亮起。	充電狀態：50 %至75 %
2個LED亮起。	充電狀態：25 %至50 %
1個LED亮起。	充電狀態：10 %至25 %
1個LED閃爍。	充電狀態：< 10 %

- i** 機具作業期間，電池充電狀態將出現在機具顯示幕上。
未運作時，輕按電池拆卸鈕可顯示充電狀態。
充電時電池的LED會顯示充電狀態（請參考充電器的操作說明）。

3.6 配備及數量

PRA 2旋轉雷射水平儀、PRA 54遙控裝置、PR 3-HVSG A12目標板、2個電池（AA型）、2張製造商證明書、操作說明。

- i** 關於本產品，您可於當地www.hilti.group或網站查詢其他經過認證可搭配使用的系統產品：
Hilti Store

4 技術資料

額定電壓	10.8 V
額定電流	160 mA
高於基準高度的最大操作高度	2,000 m (6,561 ft - 8 in)
最大空氣相對濕度	90 %
接收範圍 (直徑)	150 m
通訊範圍 (PRA 2)	30 m
10 m的精度 (依據MIL-STD-810G的標準環境條件)	±1 mm
雷射級數	可見光，雷射等級2，510-530 nm/ $P_o < 4.85 \text{ mW} \geq 300 / \text{分鐘}$ ；EN 60825-1:2007；IEC 60825-1:2007
操作溫度	-10 °C ... 50 °C
貯放溫度	-25 °C ... 63 °C
重量含電池B222.6或 B 12-30	2.4 kg
掉落測試高度 (依據MIL-STD-810G的標準環境條件)	1.5 m
三腳架螺絲孔	5/8 in
根據IEC 60529的防護等級	IP 56

5 使用前注意事項

5.1 正確使用雷射和電池

- ▶ 圖1：以水平模式工作。
- ▶ 圖2：在傾斜面模式中，應將旋轉雷射測量儀的控制面板端抬起。
- ▶ 圖3：橫躺或以傾斜方式搬運。
 - ▶ 固定旋轉雷射測量儀讓電池匣不會朝上，濕氣就不會進入。

- i** B12電池沒有防護等級。請勿讓電池暴露在雨中或潮濕的環境下。根據Hilti說明，電池只能用於對應的產品，而且使用時必須置入電池匣中。



5.2 置入電池 4

注意

有受傷的危險 產品意外啟動。

- ▶ 安裝電池前請檢查產品是否已關閉。

注意

電力危險。按點航髒可能會造成短路。

- ▶ 將電池置入機具前，請檢查電池與機具上的接點無其他外來物。

注意

有受傷的危險！電池未確實安裝時可能會掉落。

- ▶ 確認電池已確實裝入機具中，如此一來便不會掉落並造成其他人員的危險。
- ▶ 安裝電池並確認是否有牢牢裝入機具。

5.3 卸下電池 5

- ▶ 卸下電池。

6 操作

6.1 啟動本機具

- ▶ 按下On/Off按鈕。



啟動後，機具開始自動調平。

在使用機具進行重要工作前請確認其精確度，尤其是當經過摔落或受過異常干擾或衝擊後。

6.2 在水平面操作 6

1. 將機具安裝在合適的固定裝置上。



牆架或三腳架可作為固定裝置。所安裝的表面傾斜度不可超過+ 5°。

2. 按下On / Off按鈕。自動調平LED閃爍綠燈。



一旦機具自動歸於水平，雷射光束便會射出並開始旋轉而「自動調平」LED也會亮起。

6.3 垂直操作 7

1. 放置或安裝機具時，需將控制面板朝上。



為確保機具維持特定精準度，務必將機具固定在表面或安裝於高度充足的三腳架或其他機具。

2. 使用視覺瞄準輔助裝置調整機具，使垂直軸對齊您所要的方向。



一旦機具自動歸於水平，雷射光束便會射出並開始旋轉而「自動調平」LED也會亮起。

3. 按下On/Off開關按鈕。機具自動調整水平之後，會垂直向下投射靜止的雷射光束。此投射點即為參照點，可用於定位機具。
4. 按下旋轉速度按鈕即可查看整個旋轉面的雷射光束。
5. 按下遙控裝置的+和-按鈕即可向左或向右移動垂直旋轉光束，最多可移動5°。

6.4 傾斜度

為獲得最佳結果，請確定PR 3-HVSG A12已正確校準。最好的方法是在機具左右各距離5 m (16 ft) 處選取兩個平行於機具軸的點。標示水平面高度，並於設定斜面後，標示其高度。兩點高度完全相同的情況下，才能將機具校準至最佳狀態。



6.4.1 以手動方式設定斜面

1. 將機具設定在適當的位置使用，例如三腳架上。
2. 將旋轉雷射測量儀放在傾斜面的上緣或下緣。
3. 使用者應位於機具後方，面對控制面板。
4. 藉由機具頭部目標刻痕的輔助，將機具調整至大致與斜面對齊（與斜面平行）。
5. 啟動機具並按下傾斜面模式按鈕。傾斜面模式LED燈將亮起。一旦機具自動歸於水平，雷射光束便會射出。
6. 若要讓旋轉面傾斜，請按下遙控裝置上的+或-按鈕。或者使用斜面轉接器（配件）。



手動設定傾斜角度時，旋轉雷射測量儀會將雷射面調平一次後再進行修正一次。請注意，此旋轉雷射測量儀無法修正因環境條件變動和 / 或安裝移位所造成可能的傾斜雷射平面偏移。震動、溫度變化或其他因素可能會影響雷射平面的位置。

7. 欲回到標準操作模式，必須將機具關閉然後重新啟動。

6.4.2 使用斜面轉接器設定斜面

1. 將適合的斜面轉接器安裝在三腳架上。
2. 將三腳架放在傾斜面的上緣或下緣。
3. 將旋轉雷射測量儀安裝於斜面轉接器上，並使用PR 3-HVSG A12頭頂目標刻痕的輔助調整機具斜面轉接器，使兩者與斜面平行。
4. 確認斜面轉接器位於零位置（0°）上。



PR 3-HVSG A12的控制面板必須背對傾斜面。

5. 啟動機具。
6. 按下傾斜面模式按鈕。接著旋轉雷射測量儀控制面板上的傾斜面模式LED會亮起。機具便會開始自動調平。完成後雷射便會啟動並開始旋轉。
7. 將斜面轉接器設定至所需的傾斜角度。



手動設定傾斜角度時，旋轉雷射測量儀會將雷射面調平一次後再進行修正一次。請注意，此旋轉雷射測量儀無法修正因環境條件變動和 / 或安裝移位所造成可能的傾斜雷射平面偏移。震動、溫度變化或其他因素可能會影響雷射平面的位置。

6.5 搭配PRA 2遙控裝置

PRA 2遙控裝置搭配旋轉雷射儀使操作更便利，尤其是要使用某些功能時更是必要的搭配。

選擇旋轉速度

旋轉雷射儀啟動後通常以每分鐘300轉的速度開始操作。低速旋轉可使雷射光束更加明亮。高速旋轉可使雷射光束更加穩定。按下旋轉速度按鈕數次可調整旋轉的速度。

選擇標線功能

按下遙控裝置上的標線功能按鈕可將雷射光束覆蓋的區域縮小成一條直線。這時雷射光束便顯得非常明亮。按下標線功能按鈕數次即可調整直線長度。標線長度視雷射機具和牆壁（或工作表面）間的距離而定。可按下方按鈕（右 / 左）調整雷射光線方向。

6.6 關閉震動警告功能

1. 啟動機具。
2. 按下「解除震動警告」按鈕。震動警告功能解除LED持續亮起，表示此功能已關閉。
3. 若要回到標準操作模式，請先關閉機具再重新啟動。

6.7 檢查主要及橫向水平軸

1. 將三角架裝設在距離牆面約20 m（66 ft）的位置並以水平儀調整三角架頭的水平位置。
2. 將機具裝設至三角架並使用視覺瞄準方法（前後瞄準鏡）將機具對準牆面。
3. 使用接收器捕捉雷射光束並在牆上標示投射點（第1點）。
4. 將機具以自身為軸心順時針旋轉90°。此時請確保機具高度不變。
5. 使用接收器捕捉雷射光束並在牆上標示第2個投射點（第2點）。



6. 重複前兩個步驟兩次，並使用雷射接收器接收光束後在牆上標示第3點和第4點。



謹慎執行這個程序之後，標示第1點和第3點（主軸）或第2點和第4點（橫向軸）之間的垂直距離應小於3 mm（位於20 m處）（位於66 ft處為0.12"）。如果偏差值較大，請將機具交付Hilti 維修中心進行校準。

6.8 檢查垂直軸

- 儘可能將機具放在平坦地面或地板的垂直位置上，位置距離牆面大約20 m（66 ft）。
- 調整機具位置，讓握把與牆面平行。
- 啟動機具並在地面或地板標示參照點（R）。
- 利用接收器，在牆面底部標示（A）點。選擇中等速度。
- 使用接收器在大約10 m（33 ft）高的位置標示B點。
- 將機具旋轉180°並使用地板或地面上的參照點R及牆體上的參照點A重新校準機具。
- 使用接收器在大約10 m（33 ft）高的位置標示C點。



精確執行此程序之後，在大約十公尺高的位置所標示的B點和C點，兩點之間的水平距離應小於2 mm（10 m）（0.08"，33 ft）。若偏移較大：請將機具送回Hilti 維修中心進行校準。

7 保養、維修、運送和貯放

7.1 清潔及乾燥

- ▶ 吹掉雷射出口窗的所有灰塵。
- ▶ 請勿以手指接觸雷射出口窗。
- ▶ 請使用乾淨軟布清潔機具。必要時，將軟布沾上純酒精或些許清水。



有磨平功能的清潔材質會刮傷玻璃並影響雷射機具準確度。不可使用純酒精或水以外的其他液體，因為這可能會損壞塑膠組件。
風乾設備時請遵守溫度限制。

7.2 設備的貯放

- ▶ 請勿在機具潮濕時貯放。移走前請先讓它乾燥。
- ▶ 請先將機具、攜帶盒和配件都清潔乾淨，再將它們妥善貯放。
- ▶ 在設備長時間貯放或運送後，使用前應先檢測其準確度。
- ▶ 貯放設備時請遵守溫度限制。這點在夏冬二季格外重要。尤其是設備放在車內時更需特別注意。

7.3 鋰電池的保養

- ▶ 請保持電池清潔，避免沾到油與油脂。勿使用含矽樹脂的清潔或亮光劑。
- ▶ 定期地使用微濕抹布清潔外部表面。
- ▶ 請勿讓溼氣進入裝置內部。
- ▶ 請以獲得認可，可搭配鋰電池使用的Hilti 充電器為電池充電。

7.4 運送時的包裝

遵守適用於鋰電池之運送、存放與使用的特別指南。

機具被運送或郵寄前，工具裡的電池一定要絕緣或移開。漏電池會損壞機具。

7.5 Hilti 量測系統服務

Hilti 量測系統服務會檢查產品，若發現從特定精確度偏移，將會重新校準機具，並再次檢查以確保符合規格。在測試時，維修認證會提供符合規格的書面確認。下列是建議的程序：

- 根據不同的使用程度，應選擇合適的測試間隔時間。
- 在非常重度或在異常環境或壓力下使用後且需要進行重要工作前，應由Hilti 量測系統服務檢查，或是每年至少檢查一次。

即使將產品交由Hilti 量測系統服務中心檢查，使用者仍有義務在使用前和使用期間檢查產品。



7.6 準確度的檢查

為確保機具符合技術規格，應定期進行檢查（至少於每一次重要 / 相關測量作業開始前）。若從一定高度落下，機具應進行檢查以確保運作正常且準確。在下列狀況下可假設工具可以正常運作：

- 掉落高度未超過技術資料的設定。
- 機具在受到衝擊前的運作良好。
- 機具未因衝擊出現明顯的機構損壞（例如稜鏡斷裂）。
- 機具在運作時射出旋轉雷射光束。

8 故障排除

若您遇到未列出的問題或是無法自行排除的問題，請聯絡Hilti維修中心。

故障	可能原因	解決方法
機具未運作。	電池沒有完全置入。	▶ 壓下電池直到聽見咬合時發出的兩聲喀啦聲。
	電池電量不足。	▶ 更換電池，並對無電量的電池再次充電。
電池較一般電池壽命短。	周遭環境溫度極低。	▶ 將電池放在室溫下使其溫度慢慢上升。
電池咬合時不會發出兩聲喀啦聲。	電池上的卡榫太髒。	▶ 清潔卡榫並重新安裝電池。
機具或電池變的很燙。	電力故障。	▶ 立即將機具關閉，卸下電池，將機具置於可隨時觀察的位置，讓她靜置冷卻並聯絡Hilti 維修中心。

9 廢棄設備處置



警告

不當的廢棄物處理可能導致人員受傷！洩漏出來的氣體或液體有害健康。

- ▶ 請勿以郵寄方式寄送電池。
- ▶ 將電池端子蓋上不導電物質（例如絕緣膠帶）以避免短路。
- ▶ 請將電池棄置於兒童無法觸及的地方。
- ▶ 請將該電池送交Hilti Store處理或洽詢權責的廢棄處理公司。

Hilti機具或設備所採用的材料大部分均可回收再利用。材料在回收前必須正確地分類。在許多國家中，您可以將舊機具及設備送回Hilti進行回收。詳情請洽Hilti維修中心，或當地Hilti代理商。

依據歐盟指令關於電子及電器設備廢棄物的規範，以及國家相關施行法律規定，已達使用年限的電子設備與電池必須分類收集，並交由環保回收機構處理。



- ▶ 請勿將電子式量測機具與一般家用廢棄物一同回收。

為了避免造成環境污染，必須依據現行適用之國家法令處置廢棄機具或設備與電池。

10 製造商保固

- ▶ 如果您對於保固條件有任何問題，請聯絡當地Hilti代理商。

Hilti Taiwan Co., Ltd.

24F., No. 16, Xinzhan Rd., Banqiao Dist., New Taipei City 220, Taiwan (R.O.C.)

Tel. 0800-221-036





EC Declaration of Conformity | UK Declaration of Conformity



Manufacturer:
Hilti Corporation
Feldkircherstraße 100
9494 Schaan | Liechtenstein

UK Importer:
Hilti (Gt. Britain) Limited
No. 1 Circle Square, 3 Symphony Park
Manchester, England, M1 7FS

PR 3-HVSG A12 (02)

Serial Numbers: 1-9999999999

2006/42/EC | Supply of Machinery (Safety)
Regulations 2008

2014/53/EU | Radio Equipment Regulations
2017

2011/65/EU | The Restriction of the Use of
Certain Hazardous Substances in Electrical and
Electronic Equipment Regulations 2012

EN 61010-1:2010,
A1:2019, AC:2019

EN IEC 61000-6-2:2019

EN 55032:2015, AC:2016,
A11:2020

EN 61000-6-3:2007, A1:2011

A handwritten signature in black ink, appearing to read 'Tahar Zrilli'.

Dr. Tahar Zrilli
Head of Quality and Process Management
Business Area Electric Tools & Accessories

Schaan, 21.02.2024

A handwritten signature in black ink, appearing to read 'Sriram Makineedi'.

Sriram Makineedi
Head of BU Measuring Systems
Business Unit Measuring Systems



Hilti Corporation
LI-9494 Schaan
Tel.:+423 234 21 11
Fax:+423 234 29 65
www.hilti.group



2154010