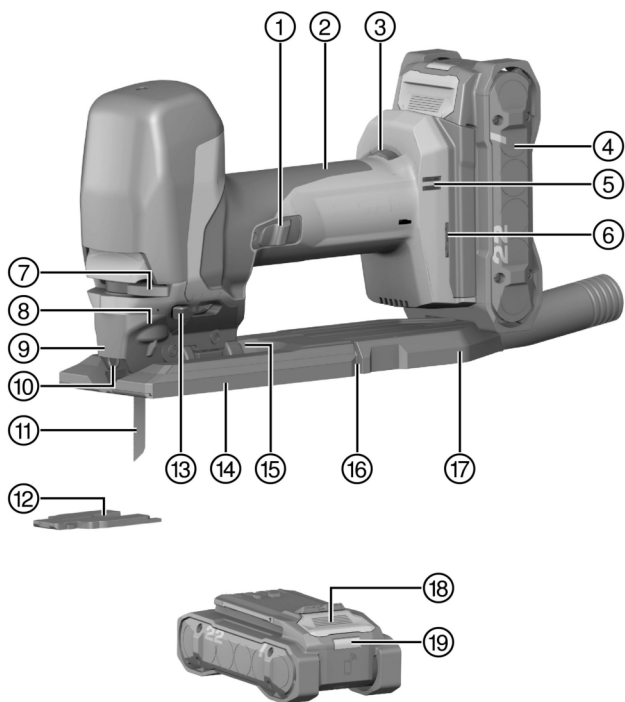


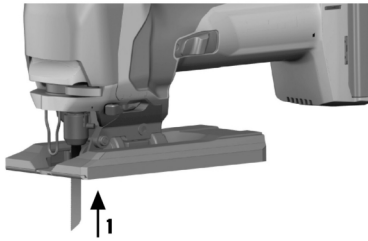


English	1
Eesti	14
Latviešu	27
Lietuvių	40
Slovenščina	54
Hrvatski	68
Русский	81
Українська	97
Қазақ	113
Български	128
Română	142
Ελληνικά	157
Türkçe	172
عربي	186
日本語	200
한국어	213
繁體中文	226
中文	237

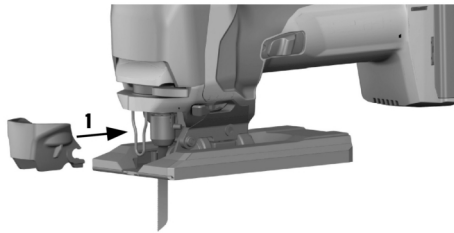
SJT 6-22 (02)



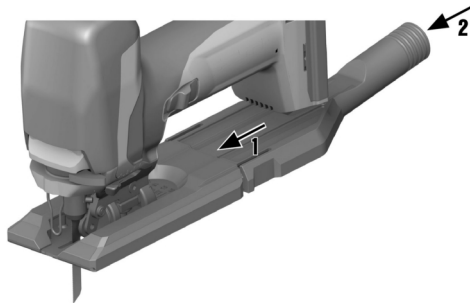
2



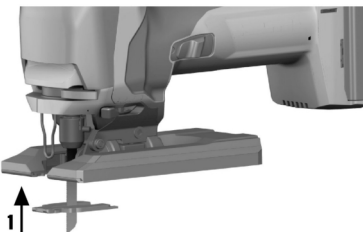
3



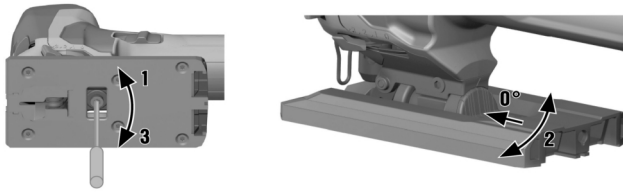
4



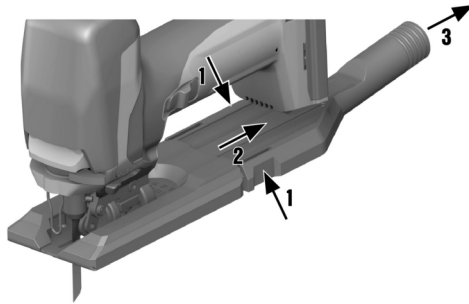
5



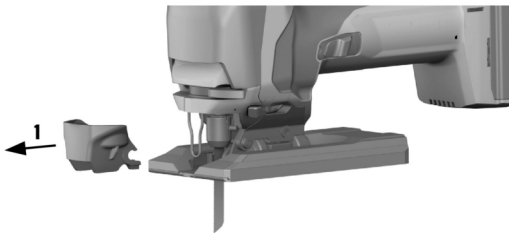
6



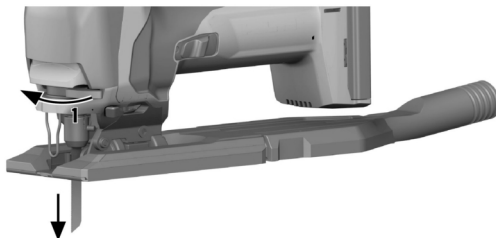
7



8



9



# SJT 6-22

en	Original operating instructions	1
et	Originaalkasutusjuhend	14
lv	Originālā lietošanas instrukcija	27
lt	Originali naudojimo instrukcija	40
sl	Originalna navodila za uporabo	54
hr	Originalne upute za uporabu	68
ru	Перевод оригинального руководства по эксплуатации	81
uk	Оригінальна інструкція з експлуатації	97
kk	Түпнұсқа пайдалану бойынша нұсқаулық	113
bg	Оригинално Ръководство за експлоатация	128
ro	Manual de utilizare original	142
el	Πρωτότυπες οδηγίες χρήσης	157
tr	Orijinal kullanım kılavuzu	172
ar	دليل الاستعمال الأصلي	186
ja	オリジナル取扱説明書	200
ko	오리지널 사용 설명서	213
zh	原始操作說明	226
cn	原版操作说明	237



# Original operating instructions

## 1 Information about the operating instructions

### 1.1 About these operating instructions

- **Warning!** Read and understand all accompanying documentation, including but not limited to instructions, safety warnings, illustrations, and specifications provided with this product. Familiarize yourself with all the instructions, safety warnings, illustrations, specifications, components, and functions of the product before use. Failure to do so may result in electric shock, fire, and/or serious injury. Save all warnings and instructions for future reference.
- products are designed for professional users and only trained, authorized personnel are permitted to operate, service and maintain the products. This personnel must be specifically informed about the possible hazards. The product and its ancillary equipment can present hazards if used incorrectly by untrained personnel or if used not in accordance with the intended use.
- The accompanying documentation corresponds to the current state of the art at the time of printing. Please always check for the latest version on the product's page on Hilti's website. To do this, follow the link or scan the QR code in this documentation, marked with the symbol .
- Ensure that these operating instructions are with the product when it is given to other persons.

### 1.2 Explanation of symbols

#### 1.2.1 Warnings

Warnings alert persons to hazards that occur when handling or using the product. The following signal words are used:

**DANGER**

**DANGER !**

- ▶ Draws attention to imminent danger that will lead to serious personal injury or fatality.

**WARNING**

**WARNING !**

- ▶ Draws attention to a potential threat of danger that can lead to serious injury or fatality.

**CAUTION**

**CAUTION !**

- ▶ Draws attention to a potentially dangerous situation that could lead to personal injury or damage to the equipment or other property.

#### 1.2.2 Symbols in the operating instructions

The following symbols are used in these operating instructions:

	Comply with the operating instructions
	Instructions for use and other useful information
	Dealing with recyclable materials
	Do not dispose of electric equipment and batteries as household waste
	<b>Hilti</b> Li-ion battery
	<b>Hilti</b> charger

#### 1.2.3 Symbols in illustrations

The following symbols are used in illustrations:

- 2** These numbers refer to the illustrations at the beginning of these operating instructions.



3	The numbering reflects the sequence of operations shown in the illustrations and may deviate from the steps described in the text.
	Item reference numbers are used in the <b>overview illustration</b> and refer to the numbers used in the key in the <b>product overview</b> section.
	These characters are intended to specifically draw your attention to certain points when handling the product.

### 1.3 Product-dependent symbols

#### 1.3.1 Additional symbols

The following symbols can be used additionally in this documentation or on the product:

$n_0$	Stroke rate under no load
---	Direct current (DC)
Li-Ion	Li-ion battery
	The product supports near-field communication (NFC) technology compatible with iOS and Android platforms.
	Never use the battery as a striking tool.
	Do not drop the battery. Never use a battery that has suffered an impact or is damaged in any other way.

## 2 Safety

### 2.1 General power tool safety warnings

**⚠ WARNING Read all safety warnings, instructions, illustrations and specifications provided with this power tool.** Failure to follow all instructions listed below may result in electric shock, fire and/or serious injury. **Save all warnings and instructions for future reference.**

The term "power tool" in the warnings refers to your mains-operated (corded) power tool or battery-operated (cordless) power tool.

#### Work area safety

- ▶ **Keep work area clean and well lit.** Cluttered or dark areas invite accidents.
- ▶ **Do not operate power tools in explosive atmospheres, such as in the presence of flammable liquids, gases or dust.** Power tools create sparks which may ignite the dust or fumes.
- ▶ **Keep children and bystanders away while operating a power tool.** Distractions can cause you to lose control.

#### Electrical safety

- ▶ **Power tool plugs must match the outlet. Never modify the plug in any way. Do not use any adapter plugs with earthed (grounded) power tools.** Unmodified plugs and matching outlets will reduce risk of electric shock.
- ▶ **Avoid body contact with earthed or grounded surfaces, such as pipes, radiators, ranges and refrigerators.** There is an increased risk of electric shock if your body is earthed or grounded.
- ▶ **Do not expose power tools to rain or wet conditions.** Water entering a power tool will increase the risk of electric shock.
- ▶ **Do not abuse the cord. Never use the cord for carrying, pulling or unplugging the power tool. Keep cord away from heat, oil, sharp edges or moving parts.** Damaged or entangled cords increase the risk of electric shock.
- ▶ **When operating a power tool outdoors, use an extension cord suitable for outdoor use.** Use of a cord suitable for outdoor use reduces the risk of electric shock.
- ▶ **If operating a power tool in a damp location is unavoidable, use a residual current device (RCD) protected supply.** Use of an RCD reduces the risk of electric shock.





### Personal safety

- ▶ **Stay alert, watch what you are doing and use common sense when operating a power tool. Do not use a power tool while you are tired or under the influence of drugs, alcohol or medication.** A moment of inattention while operating power tools may result in serious personal injury.
- ▶ **Use personal protective equipment. Always wear eye protection.** Protective equipment such as a dust mask, non-skid safety shoes, hard hat or hearing protection used for appropriate conditions will reduce personal injuries.
- ▶ **Prevent unintentional starting. Ensure the switch is in the off-position before connecting to power source and/or battery pack, picking up or carrying the tool.** Carrying power tools with your finger on the switch or energising power tools that have the switch on invites accidents.
- ▶ **Remove any adjusting key or wrench before turning the power tool on.** A wrench or a key left attached to a rotating part of the power tool may result in personal injury.
- ▶ **Do not overreach. Keep proper footing and balance at all times.** This enables better control of the power tool in unexpected situations.
- ▶ **Dress properly. Do not wear loose clothing or jewellery. Keep your hair and clothing away from moving parts.** Loose clothes, jewellery or long hair can be caught in moving parts.
- ▶ **If devices are provided for the connection of dust extraction and collection facilities, ensure these are connected and properly used.** Use of dust collection can reduce dust-related hazards.
- ▶ **Do not let familiarity gained from frequent use of tools allow you to become complacent and ignore tool safety principles.** A careless action can cause severe injury within a fraction of a second.

### Power tool use and care

- ▶ **Do not force the power tool. Use the correct power tool for your application.** The correct power tool will do the job better and safer at the rate for which it was designed.
- ▶ **Do not use the power tool if the switch does not turn it on and off.** Any power tool that cannot be controlled with the switch is dangerous and must be repaired.
- ▶ **Disconnect the plug from the power source and/or remove the battery pack, if detachable, from the power tool before making any adjustments, changing accessories, or storing power tools.** Such preventive safety measures reduce the risk of starting the power tool accidentally.
- ▶ **Store idle power tools out of the reach of children and do not allow persons unfamiliar with the power tool or these instructions to operate the power tool.** Power tools are dangerous in the hands of untrained users.
- ▶ **Maintain power tools and accessories. Check for misalignment or binding of moving parts, breakage of parts and any other condition that may affect the power tool's operation. If damaged, have the power tool repaired before use.** Many accidents are caused by poorly maintained power tools.
- ▶ **Keep cutting tools sharp and clean.** Properly maintained cutting tools with sharp cutting edges are less likely to bind and are easier to control.
- ▶ **Use the power tool, accessories and tool bits etc. in accordance with these instructions, taking into account the working conditions and the work to be performed.** Use of the power tool for operations different from those intended could result in a hazardous situation.
- ▶ **Keep handles and grasping surfaces dry, clean and free from oil and grease.** Slippery handles and grasping surfaces do not allow for safe handling and control of the tool in unexpected situations.

### Battery tool use and care

- ▶ **Recharge only with the charger specified by the manufacturer.** A charger that is suitable for one type of battery pack may create a risk of fire when used with another battery pack.
- ▶ **Use power tools only with specifically designated battery packs.** Use of any other battery packs may create a risk of injury and fire.
- ▶ **When battery pack is not in use, keep it away from other metal objects, like paper clips, coins, keys, nails, screws or other small metal objects, that can make a connection from one terminal to another.** Shorting the battery terminals together may cause burns or a fire.
- ▶ **Under abusive conditions, liquid may be ejected from the battery; avoid contact. If contact accidentally occurs, flush with water. If liquid contacts eyes, additionally seek medical help.** Liquid ejected from the battery may cause irritation or burns.
- ▶ **Do not use a battery pack or tool that is damaged or modified.** Damaged or modified batteries may exhibit unpredictable behaviour resulting in fire, explosion or risk of injury.
- ▶ **Do not expose a battery pack or tool to fire or excessive temperature.** Exposure to fire or temperature above 130° C (265 °F) may cause explosion.
- ▶ **Follow all charging instructions and do not charge the battery pack or tool outside the temperature range specified in the instructions.** Charging improperly or at temperatures outside the specified range may damage the battery and increase the risk of fire.



**Service**

- ▶ **Have your power tool serviced by a qualified repair person using only identical replacement parts.** This will ensure that the safety of the power tool is maintained.
- ▶ **Never service damaged battery packs.** Service of battery packs should only be performed by the manufacturer or authorized service providers.

**2.2 Safety instructions for reciprocating saws**

- ▶ **Hold the power tool by insulated gripping surfaces, when performing an operation where the cutting accessory may contact hidden wiring.** Cutting accessory contacting a "live" wire may make exposed metal parts of the power tool "live" and could give the operator an electric shock.
- ▶ **Use clamps or another practical way to secure and support the workpiece to a stable platform.** Holding the workpiece by hand or against your body leaves it unstable and may lead to loss of control.

**2.3 Additional safety instructions**

- ▶ Use the product and accessories only when they are in perfect working order.
- ▶ Never tamper with or modify the product or accessories in any way.
- ▶ Before beginning work, check the working area for concealed electric cables or gas and water pipes. External metal parts of the product could give you an electric shock or cause an explosion if you accidentally damage an electric cable or a gas or water pipe.
- ▶ Keep the air vents clear at all times. Risk of burn injuries due to blocked air vents!
- ▶ Wear eye protection, ear protection and protective gloves while the product is in use.
- ▶ Wear eye protection. Flying fragments present a risk of injury to the body and eyes.
- ▶ Dust produced by grinding, sanding, cutting and drilling can contain dangerous chemicals. Some examples are: lead or lead-based paints; brick, concrete and other masonry products, natural stone and other products containing silicates; certain types of wood, such as oak, beech and chemically treated wood; asbestos or materials that contain asbestos. Determine the exposure of the operator and bystanders by means of the hazard classification of the materials to be worked. Implement the necessary measures to restrict exposure to a safe level, for example by the use of a dust collection system or by the wearing of suitable respiratory protection. The general measures for reducing exposure include:
  - ▶ working in an area that is well ventilated,
  - ▶ avoidance of prolonged contact with dust,
  - ▶ directing dust away from the face and body,
  - ▶ wearing protective clothing and washing exposed areas of the skin with water and soap.
- ▶ Risk of injury by falling tools and/or accessories. Before starting work, check that the battery and installed accessories are secure.
- ▶ Switch the product on only after you have brought it to the working position.
- ▶ Always hold the product securely by the grips provided. Keep the grips clean and dry.
- ▶ Take frequent breaks and do physical exercises to improve the blood circulation in your fingers. High vibration during long periods of work can lead to disorders of the blood vessels and nervous system in the fingers, hands and wrists.
- ▶ Do not look directly into the light source (LEDs) incorporated in the power tool and do not direct the light at other persons' faces. Risk of dazzling or eye injury!
- ▶ Wait until the product has come to a complete stop before you lay it down.
- ▶ Wear protective gloves when changing the accessory tool. Touching the accessory tool can result in cuts and burns!

**Special safety instructions for jig saws**

- ▶ Always guide the product away from your body when working with it.
- ▶ Never position your hands ahead of or on the saw blade.
- ▶ Never cut into unknown materials and keep the line of cut above and below the workpiece free of obstacles.
- ▶ Never reach or grip below the workpiece while cutting.

**2.4 Careful handling and use of batteries**

- ▶ **Comply with the following safety instructions for the safe handling and use of Li-ion batteries.** Failure to comply can lead to skin irritation, severe corrosive injury, chemical burns, fire and/or explosion.
- ▶ Use only batteries that are in perfect working order.



- ▶ Treat batteries with care in order to avoid damage and prevent leakage of fluids that are extremely harmful to health!
- ▶ Do not under any circumstances modify or tamper with batteries!
- ▶ Do not disassemble, crush or incinerate batteries and do not subject them to temperatures over 80 °C (176 °F).
- ▶ Never use or charge a battery that has suffered an impact or been damaged in any other way. Check your batteries regularly for signs of damage.
- ▶ Never use recycled or repaired batteries.
- ▶ Never use the battery or a battery-operated power tool as a striking tool.
- ▶ Never expose batteries to the direct rays of the sun, elevated temperature, sparking, or open flame. This can lead to explosions.
- ▶ Do not touch the battery poles with your fingers, tools, jewelry, or other electrically conductive objects. This can damage the battery and also cause material damage and personal injury.
- ▶ Keep batteries away from rain, moisture and liquids. Penetrating moisture can cause short circuits, electric shock, burns, fire and explosions.
- ▶ Use only chargers and power tools approved for the specific battery type. Read and follow the relevant operating instructions.
- ▶ Do not use or store the battery in explosive environments.
- ▶ If the battery is too hot to touch, it may be defective. Put the battery in a place where it is clearly visible and where there is no risk of fire, at an adequate distance from flammable materials. Allow the battery to cool down. If it is still too hot to touch after an hour, the battery is faulty. Consult **Hilti** Service or read the document entitled "Instructions on safety and use for **Hilti** Li-ion batteries".



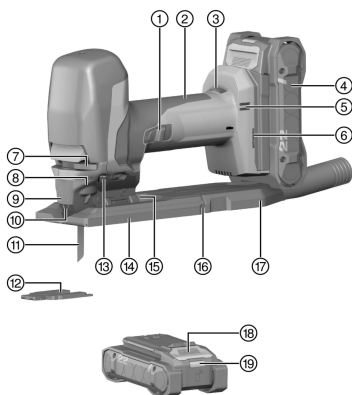
Observe the special guidelines applicable to the transport, storage and use of lithium-ion batteries.



Read the instructions on safety and use of **Hilti** Li-ion batteries that you can access by scanning the QR code at the end of these operating instructions.

### 3 Description

#### 3.1 Product overview



- ① On/off switch
- ② Grip
- ③ Stroke rate regulator thumbwheel
- ④ Battery
- ⑤ Air vents
- ⑥ Installation opening for accessories
- ⑦ Saw blade release lever
- ⑧ Tool holder
- ⑨ Guard
- ⑩ Contact guard
- ⑪ Saw blade
- ⑫ Anti-splinter insert
- ⑬ Orbital-action adjustment lever
- ⑭ Base plate
- ⑮ Cutting angle adjustment scale
- ⑯ Catches
- ⑰ Dust removal adapter
- ⑱ Release button, battery
- ⑲ Battery status indicator

#### 3.2 Intended use

The product described is a hand-held cordless orbital-action jig saw. It is designed to be used for cutting plastic, wood and metal as well as drywall board and gypsum fiberboard.



The product is equipped with a removable connector for an optional vacuum cleaner / dust removal hose. This connector is designed to fit standard suction hoses. In order to connect the suction hose to the product, use of a suitable adapter may be necessary.

- For this product, use only **Hilti** Nuron lithium-ion batteries of the B 22 series. For optimum performance, **Hilti** recommends the batteries stated in the table at the end of these operating instructions for this product.
- For these batteries, use only **Hilti** chargers of the type series stated in the table at the end of these operating instructions.
- Use this product only with saw blades equipped with a T-shank.

### 3.3 Possible misuse

- Use of the product to cut off tree branches or to cut the trunk of a tree is not permissible.
- Use of the product to cut hazardous materials is not permissible.
- Use of the product in a damp or wet environment is not permissible.

### 3.4 Status indicators of the Li-ion battery

**Hilti** Nuron Li-ion batteries can indicate state of charge, fault messages and the battery's state of health.

#### 3.4.1 Indicators for state of charge and fault messages



#### WARNING

##### Risk of injury by a falling battery!

- ▶ If the release button is pressed with a battery inserted in the product, subsequently check that the battery is correctly re-engaged and secure.

Short-press the release button of the battery to get whichever of the following status indications is applicable at the time.

State of charge and, if applicable, faults are indicated constantly as long as the connected product is switched on.

Status	Meaning
Four (4) LEDs show constantly green	State of charge: 100 % to 71 %
Three (3) LEDs show constantly green	State of charge: 70 % to 51 %
Two (2) LEDs show constantly green	State of charge: 50 % to 26 %
One (1) LED shows constantly green	State of charge: 25 % to 10 %
One (1) LED slow-flashes green	State of charge: < 10 %
One (1) LED quick-flashes green	The Li-ion battery is completely discharged. Recharge the battery. If the LED again starts quick-flashing after the battery has been charged, consult <b>Hilti</b> Service.
One (1) LED quick-flashes yellow	The Li-ion battery or the product in which it is inserted is overloaded, too hot or too cold, or experiencing some other fault. Bring the product and the battery to the recommended working temperature and do not overload the product when it is in use. If the message persists, consult <b>Hilti</b> Service.
One (1) LED shows yellow	The Li-ion battery and the product in which it is inserted are not compatible. Consult <b>Hilti</b> Service.
One (1) LED quick-flashes red	The Li-ion battery is locked and cannot be used. Consult <b>Hilti</b> Service.

#### 3.4.2 Indicators showing the battery's state of health

To check the battery's state of health, press the release button and hold it down for longer than three seconds. The system does not detect a potential malfunction of the battery due to misuse, for example battery dropped or pierced, external heat damage, etc.



Status	Meaning
All LEDs show in sequence, followed by one (1) LED showing constantly green.	The battery can remain in use.
All LEDs show in sequence, followed by one (1) LED quick-flashing yellow.	The check to ascertain the battery's state of health did not complete. Repeat the procedure, or consult <b>Hilti Service</b> .
All LEDs show in sequence, followed by one (1) LED showing constantly red.	If a connected product can still be used, the remaining battery capacity is below 50 %. If a connected product can no longer be used, the battery has reached the end of its useful life and has to be replaced. Consult <b>Hilti Service</b> .

### 3.5 Dust blower

The dust blower directs a jet of air toward the saw blade in order to keep the cutting line free of dust.

### 3.6 Stroke rate

The stroke rate can be adjusted by turning the thumbwheel. Position 1 corresponds to 800 strokes per minute and position 6 corresponds to 3000 strokes per minute.

### 3.7 4 orbital-action settings

The 4 orbital-action settings allow cutting performance and quality of cut to be adjusted to suit the material to be cut. The orbital-action adjustment lever is used to set the power tool to one of the 4 settings.

The lower the orbital-action setting, the finer and cleaner the cut edges will be. The optimum setting can be determined by carrying out practical tests.

Status	Meaning
Position 0	No orbital action
Position 1	Low orbital action
Position 2	Medium orbital action
Position 3	High orbital action

### 3.8 Anti-splinter insert

The product can be equipped with an anti-splinter insert.

The anti-splinter insert helps prevent splintering on the surface of wood materials when cutting.

### 3.9 Automatic product switch-off

If the on/off switch is pressed continuously for longer than 15 minutes (e.g. during transport or storage), the product switches itself off automatically. This prevents deep discharge of the battery.

### 3.10 Items supplied

Orbital-action jig saw with saw blade, guard, dust removal adapter, anti-splinter insert, operating instructions, hex key.

Other system products approved for use with this product can be found at your local **Hilti Store** or online at: [www.hilti.group](http://www.hilti.group)

## 4 Technical data

### 4.1 Orbital-action jig saw

	SJT 6-22
Product generation	02
Rated voltage	21.6 V
Weight in accordance with EPTA Procedure 01, without battery	2.1 kg
Stroke length	28 mm



	<b>SJT 6-22</b>
<b>Stroke rate under no load (<math>n_0</math>)</b>	800 /min ... 3,000 /min
<b>Maximum cutting performance in wood</b>	150 mm
<b>Maximum cutting performance in aluminum</b>	25 mm
<b>Maximum cutting performance in unalloyed steel</b>	10 mm
<b>Cutting angle (left/right)</b>	0° ... 45°
<b>Dust removal adapter outside diameter</b>	27.5 mm
<b>Storage temperature</b>	-20 °C ... 70 °C
<b>Ambient temperature for operation</b>	-17 °C ... 60 °C



#### 4.2 Noise information and vibration values

The sound pressure and vibration values given in these instructions were measured in accordance with a standardized test and can be used to compare one power tool with another. They can also be used for a preliminary assessment of exposure.

The data given represent the main applications of the power tool. However, if the power tool is used for different applications, with different accessory tools, or is poorly maintained, the data can vary. This can significantly increase exposure over the total working period.

An accurate estimation of exposure should also take into account the times when the power tool is switched off, or when it is running but not actually being used for a job. This can significantly reduce exposure over the total working period.

Identify additional safety measures to protect the operator from the effects of noise and/or vibration, for example: maintaining the power tool and accessory tools, keeping the hands warm, organization of work patterns.

 Detailed information on the versions of the **EN 62841** standards applied here is to be found in the reproduction of the declaration of conformity  250.

#### Noise emission values

	<b>SJT 6-22</b>
<b>Sound power level (<math>L_{WA}</math>)</b>	99 dB(A)
<b>Uncertainty for the sound power level (<math>K_{WA}</math>)</b>	5 dB(A)
<b>Sound pressure level (<math>L_{pA}</math>)</b>	91 dB(A)
<b>Uncertainty for the sound pressure level (<math>K_{pA}</math>)</b>	5 dB(A)

#### Total vibration

		<b>SJT 6-22</b>
<b>Vibration emission value for sawing chipboard (<math>a_{h,B}</math>)</b>	<b>B 22-55</b>	5.2 m/s <sup>2</sup>
	<b>B 22-255</b>	5.3 m/s <sup>2</sup>
<b>Vibration emission value for sawing sheet metal (<math>a_{h,M}</math>)</b>	<b>B 22-55</b>	8.5 m/s <sup>2</sup>
	<b>B 22-255</b>	7.2 m/s <sup>2</sup>
<b>Uncertainty (K)</b>		1.5 m/s <sup>2</sup>

#### 4.3 Battery

<b>Battery operating voltage</b>	21.6 V
<b>Weight, battery</b>	See the end of these operating instructions
<b>Ambient temperature for operation</b>	-17 °C ... 60 °C
<b>Storage temperature</b>	-20 °C ... 40 °C
<b>Battery charging starting temperature</b>	-10 °C ... 45 °C



## 5 Preparations at the workplace

### WARNING

#### Risk of injury by inadvertent starting!

- ▶ Before inserting the battery, make sure that the product is switched off.
- ▶ Remove the battery before making any adjustments to the power tool or before changing accessories.

Observe the safety instructions and warnings in this documentation and on the product.

### 5.1 Charging the battery

1. Before charging the battery, read the operating instructions for the charger.
2. Make sure that the contacts on the battery and the contacts on the charger are clean and dry.
3. Use an approved charger to charge the battery. 5

### 5.2 Inserting the battery

#### WARNING

#### Risk of injury by short circuit or falling battery!

- ▶ Before inserting the battery, make sure that the contacts on the battery and the contacts on the product are free of foreign matter.
- ▶ Make sure that the battery always engages correctly.

1. Charge the battery fully before using it for the first time.
2. Push the battery into the product until it engages with an audible click.
3. Check that the battery is seated securely.

### 5.3 Removing the battery

1. Press the battery release button.
2. Remove the battery from the product.

### 5.4 Fitting the saw blade

1. Push the saw blade (teeth facing the cutting direction) into the tool holder until it engages.
2. Grip and pull the saw blade to check that it is held securely.

### 5.5 Fitting the guard

- ▶ Push the guard onto the power tool from the front until it clicks into place.



The guard can be fitted only when the base plate is in the normal position (0° cutting angle). 10

### 5.6 Fitting the dust removal adapter

1. Push the dust removal adapter on to the base plate horizontally from the rear until both catches engage at the side.
2. Connect the vacuum cleaner hose to the dust removal adapter.

### 5.7 Installing anti-splinter insert

- ▶ Press the anti-splinter insert into the base plate from below.



The anti-splinter insert can be used only with the saw blades for which it is designed.

The anti-splinter insert can be used only when the base plate is in the normal position (0° cutting angle). 10




## 5.8 Fall arrest

### **WARNING**

**Risk of injury** by falling tool and/or accessory!

- ▶ Use only the **Hilti** tool tether recommended for your product.
- ▶ Prior to each use, always check the attachment point of the tool tether for possible damage.
- ▶ Do not secure a tool tether to the belt hook. Do not use a belt hook to lift the product.

---

 Comply with the national regulations for working at heights.

---

As drop arrester for this product, use only a combination of the **Hilti** retaining strap and the **Hilti** tool tether #2261970.

- ▶ Secure the retaining strap to the installation openings for accessories. Check that it holds securely.
- ▶ Secure one carabiner of the tool tether to the retaining strap and secure the second carabiner to a load-bearing structure. Check that both carabiners hold securely.

---


 Comply with the operating instructions of the **Hilti** retaining strap and those of the **Hilti** tool tether.

---


## 6 Operation

Observe the safety instructions and warnings in this documentation and on the product.


### 6.1 Using a dust extractor

 The dust extractor reduces dust emissions, increases working safety by providing better visibility of the cutting line and reduces exposure to dust and wood chips at the workplace.


---

1. Fit the guard.  9
2. Always use a dust extractor when working over a lengthy period with wood or materials that can cause high dust concentrations.

### 6.2 Setting the cutting angle

1. Remove the dust removal adapter.  11
2. Slacken the screw on the base plate.
3. Adjust the base plate to the desired cutting angle (from 0° to 45° in both directions).
  - ▶ At the 0° cutting angle, the base plate is held in a rotation-locked position. To set a different cutting angle, you must first pull the base plate to the rear.
  - ▶ When you return the base plate to the 0° cutting angle, push the base plate forward again to re-engage it in this rotation-locked position.
4. Retighten the screw.
  - ▶ The base plate is clamped securely.

### 6.3 Switching on

 A safety interlock ensures that the product does not start when the product is switched on first and the battery inserted afterward.  
Slide the on/off switch back and then forward again.

---

- ▶ Slide the on/off switch forward.

### 6.4 Plunge cutting

1. Set the orbital-action adjusting lever to position 0.
2. Bring the front edge of the base plate into contact with the workpiece.
3. Hold the product securely and press the on/off switch.





4. Press the product firmly against the workpiece and begin the plunge cut by slowly reducing the angle of attack.
5. Once the blade has penetrated right through the workpiece, bring the product into its normal working position.
  - ▶ The base plate then lies flat on the working surface.
6. Continue to saw along the cutting line.

## 6.5 Switching off

- ▶ Slide the on/off switch back.

## 7 Removal

### 7.1 Removing the dust removal adapter

1. Press the two retaining catches inwards.
2. Pull the dust removal adapter away from the base plate toward the rear.
3. Pull the vacuum cleaner hose off the dust removal adapter.

### 7.2 Removing the guard

- ▶ Tilt the guard slightly and pull it off toward the front.

### 7.3 Ejecting the saw blade

#### WARNING

**Risk of injury.** Uncontrolled ejection of the saw blade can lead to injury.

- ▶ When ejecting the saw blade, hold the product in such a way that it presents no risk of injury to persons or animals.
- 
- ▶ Push the saw blade release lever to the side, as far as it will go.
    - ▶ The saw blade will be released and ejected.

## 8 Care and maintenance

#### WARNING

**Risk of injury with battery inserted !**

- ▶ Always remove the battery before carrying out care and maintenance tasks!
- 

### Care of the product

- Carefully remove stubborn dirt.
- Carefully clean the air vents, if present, with a dry, soft brush.
- Use only a slightly damp cloth to clean the housing. Do not use cleaning agents containing silicone as these can attack the plastic parts.
- Use a dry, clean cloth to clean the contacts of the product.

### Care of the Li-ion batteries

- Never use a battery with clogged air vents. Clean the air vents carefully using a dry, soft brush.
- Avoid unnecessary exposure of the battery to dust and dirt. Never expose the battery to high levels of moisture (e.g. by being dipped in water or left in the rain).  
If a battery has been soaked by moisture, treat it as a damaged battery. Isolate it in a non-flammable container and consult **Hilti Service**.
- Keep the battery free of extraneous oil and grease. Do not permit dust or dirt to accumulate unnecessarily on the battery. Clean the battery with a dry, soft brush or a clean, dry cloth. Do not use cleaning agents containing silicone as these can attack the plastic parts.  
Do not touch the contacts of the battery and do not remove the factory-applied grease from the contacts.
- Use only a slightly damp cloth to clean the housing. Do not use cleaning agents containing silicone as these can attack the plastic parts.

### Maintenance

- Check all visible parts and controls for signs of damage at regular intervals and make sure that they all function correctly.



- Do not use the product if signs of damage are found or if parts malfunction. Immediately have the product repaired by **Hilti Service**.
- After cleaning and maintenance, install all guards and protective devices and check that they are in full working order.



To help ensure safe and reliable operation, use only genuine Hilti spare parts and consumables. Spare parts, consumables and accessories approved by **Hilti** for use with your product can be found at your **Hilti Store** or online at: [www.hilti.group](http://www.hilti.group)

### 8.1 Cleaning the dust removal adapter

1. Remove the dust removal adapter. 11
2. Clean the dust removal adapter.
3. Check that the catches are undamaged.
4. Fit the dust removal adapter. 9

### 8.2 Cleaning the saw blade

1. Clean resin deposits from used saw blades at regular intervals.
2. Place the saw blades in a bath of kerosene (paraffin oil) or commercially-available resin remover for 24 hours.

## 9 Transport and storage of cordless tools and batteries

### Transport

#### CAUTION

#### Accidental starting during transport !

- ▶ Always transport your products with the batteries removed!
- ▶ Remove the battery/batteries.
- ▶ Never transport batteries loose and unprotected. During transport, batteries should be protected from excessive shock and vibration and isolated from any conductive materials or other batteries that may come in contact with the terminals and cause a short circuit. **Comply with the locally applicable regulations for transporting batteries.**
- ▶ Do not send batteries through the mail. Consult your shipper for instructions on how to ship undamaged batteries.
- ▶ Prior to each use and before and after prolonged transport, check the product and the batteries for damage.

### Storage

#### WARNING

#### Accidental damage caused by defective or leaking batteries !

- ▶ Always store your products with the batteries removed!
- ▶ Store the product and the batteries in a cool and dry place. Comply with the temperature limits stated in the technical data.
- ▶ Do not store batteries on the charger. Always remove the battery from the charger when the charging operation has completed.
- ▶ Never leave batteries in direct sunlight, on sources of heat, or behind glass.
- ▶ Store the product and batteries where they cannot be accessed by children or unauthorized persons.
- ▶ Prior to each use and before and after prolonged storage, check the product and the batteries for damage.

## 10 Troubleshooting

If a problem occurs, always observe the charge-status and fault indicator of the battery. See the section headed **Status indicators of the Li-ion battery**.

If the trouble you are experiencing is not listed in this table or you are unable to remedy the problem by yourself, please contact **Hilti Service**.



Trouble or fault	Possible cause	Action to be taken
The saw blade drops out.	The saw blade is not correctly engaged.	<ul style="list-style-type: none"> <li>▶ Repeat the insertion procedure.</li> <li>▶ Make sure that the tool holder is fully open and that the saw blade is pushed all the way in against the spring resistance.</li> </ul>
	The clamping system is clogged with foreign matter.	<ul style="list-style-type: none"> <li>▶ Clean out the tool holder.</li> </ul>
The saw blade cannot be inserted.	The clamping system is clogged with foreign matter.	<ul style="list-style-type: none"> <li>▶ Clean out the tool holder.</li> </ul>
The orbital action cannot be adjusted.	Foreign matter in the orbital-action adjusting lever groove.	<ul style="list-style-type: none"> <li>▶ Clean out the orbital-action adjusting lever groove.</li> </ul>
The orbital action doesn't work.	The orbital-action mechanism is clogged with foreign matter.	<ul style="list-style-type: none"> <li>▶ Check whether foreign matter is present in the area of the orbital-action fork and clean it out.</li> </ul>
	The orbital-action adjusting lever is in position "0".	<ul style="list-style-type: none"> <li>▶ Adjust it to the desired setting.</li> </ul>
The battery runs down more quickly than usual.	Very low ambient temperature.	<ul style="list-style-type: none"> <li>▶ Allow the battery to warm up slowly to room temperature.</li> </ul>
The battery does not engage with an audible click.	The retaining lug on the battery is dirty.	<ul style="list-style-type: none"> <li>▶ Clean the retaining lug and re-insert the battery.</li> </ul>
The power tool or battery gets very hot.	Electrical fault	<ul style="list-style-type: none"> <li>▶ Switch the product off immediately, remove the battery, keep it under observation, allow it to cool down and contact <b>Hilti Service</b>.</li> </ul>
LEDs of the battery show nothing	Battery defective	<ul style="list-style-type: none"> <li>▶ Contact <b>Hilti Service</b>.</li> </ul>

## 11 Disposal

### WARNING

**Risk of injury due to incorrect disposal!** Health hazards due to escaping gases or liquids.

- ▶ DO NOT send batteries through the mail!
- ▶ Cover the terminals with a non-conductive material (such as electrical tape) to prevent short circuiting.
- ▶ Dispose of your battery out of the reach of children.
- ▶ Dispose of the battery at your **Hilti Store**, or consult your local governmental garbage disposal or public health and safety resources for disposal instructions.

Most of the materials from which **Hilti** products are manufactured can be recycled. The materials must be correctly separated before they can be recycled. In many countries, your old tools, machines or appliances can be returned to **Hilti** for recycling. Ask **Hilti Service** or your Hilti sales representative for further information.



- ▶ Do not dispose of power tools, electronic equipment or batteries as household waste!

## 12 Manufacturer's warranty

- ▶ Please contact your local **Hilti** representative if you have questions about the warranty conditions.



## 13 Further information

For more information on operation, technology, environment and recycling, follow this link: [qr.hilti.com/manual/?id=2264217&id=2264218](http://qr.hilti.com/manual/?id=2264217&id=2264218)


This link is also to be found at the end of the documentation, in the form of a QR code.



## Originaalkasutusjuhend

### 1 Andmed kasutusjuhendi kohta

#### 1.1 Käesoleva käsitemisjuhendi kohta

- **Hoiatus!** Enne toote kasutamist veenduge, et olete tootele lisatud kasutusjuhendi, sealhulgas juhised, ohutus- ja hoiatusviited, joonised ja spetsifikatsioonid, läbi lugenud ja sellest aru saanud. Tutvuge eriti kõigi juhiste, ohutus- ja hoiatusviidete, jooniste, spetsifikatsioonide ning komponentide ja funktsioonidega. Selle eiramisel esineb elektrilöögi, tulekahju ja/või raskete vigastuste oht. Hoidke kasutusjuhend koos kõigi juhiste, ohutus- ja hoiatusviidetega hilisemaks kasutamiseks alles.
- **HILTI** tooted on ette nähtud professionaalsele kasutajale ja neid tohivad käsitseda, hooldada ja korras hoida ainult volitatud ja asjaomase väljaõppega isikud. Nimetatud personal peab olema teadlik kõikidest kaasnevatest ohtudest. Seade ja sellega ühendatavad abivahendid võivad osutada ohtlikuks, kui neid ei kasutata nõuetekohaselt või kui nendega töötab vastava väljaõppeta isik.
- Lisatud kasutusjuhend vastab tehnika käesolevale tasemele trükkimise ajal. Uusima versiooni leiате alati veebist Hilti toote leheküljelt. Järgige selleks sümboliga  tähistatud linki või QR-koodi käesolevas kasutusjuhendis.
- Andke toode teistele edasi ainult koos käesoleva kasutusjuhendiga!

#### 1.2 Märkide selgitus

##### 1.2.1 Hoiatused

Hoiatused annavad märku toote kasutamisel tekkivatest ohtudest. Kasutatakse järgmisi märksõnu:

##### OHT

**OHT !**

- ▶ Võimalikud ohtlikud olukorrad, mis võivad põhjustada kasutaja raskeid kehavigastusi või hukkamist.

##### HOIATUS

**HOIATUS !**

- ▶ Võimalik ohtlik olukord, mis võib põhjustada kasutaja raskeid kehavigastusi või hukkamist.

##### ETTEVAATUST

**ETTEVAATUST !**

- ▶ Võimalikud ohtlikud olukorrad, mis võivad põhjustada kehavigastusi või varalist kahju.

##### 1.2.2 Sümbolid kasutusjuhendis

Käesolevas kasutusjuhendis kasutatakse järgmisi sümboleid:



Järgige kasutusjuhendit



Soovitused seadme kasutamiseks ja muu kasulik teave



Taaskasutatavate materjalide käsitlemine



	Elektrilisi tööriistu ja akusid ei tohi visata olmejäätmete hulka
	<b>Hilti</b> Li-Ion-aku
	<b>Hilti</b> Laadimisseade

### 1.2.3 Joonistel kasutatud sümbolid

Joonistel kasutatakse järgmisi sümboleid.

	Numbrid viitavad vastavatele joonistele kasutusjuhendi juhendi alguses.
3	Numeratsioon kajastab töötappide järjekorda pildi kujul ja võib tekstis kirjeldatud töötappidest kõrvale kalduda.
	Positsiooninumbreid kasutatakse joonisel <b>Ülevaade</b> ja need viitavad selgituste numbritele lõigus <b>Toote ülevaade</b> .
	See märk näitab, et toote käsitlemisel tuleb olla eriti tähelepanelik.

## 1.3 Tootepõhised sümbolid

### 1.3.1 Täiendavad sümbolid

Käesolevas dokumendis või tootes võidakse lisaks kasutada järgmisi sümboleid:

	Tühikäigusagedus
	Alalisvool
Li-Ion	Li-Ion-aku
	Toote toetab NFC-tehnoloogiat, mis ühildub iOS- ja Android-platvormidega.
	Ärge kasutage akut kunagi löögiriistana.
	Ärge laske akul kunagi maha kukkuda. Ärge kasutage akut, mis on saanud löögi või on muul moel kahjustatud.

## 2 Ohutus

### 2.1 Üldised ohutusnõuded elektriliste tööriistade kasutamisel

**⚠ HOIATUS! Lugege kõiki selle elektrilise tööriista juurde kuuluvaid ohutusjuhiseid, nõuandeid, jooniseid ja tehnilisi andmeid!** Järgmiste juhiste eiramise tagajärg võib olla elektrilöök, tulekahju ja/või rasked vigastused.

**Hoidke kõik ohutusnõuded ja juhised edaspidiseks kasutamiseks alles.**

Ohutusjuhistes kasutatud mõiste "elektriline tööriist" käib võrgutoitega (toitejuhtmega) elektriliste tööriistade või akutoitega (toitejuhtmeta) elektriliste tööriistade kohta.

#### Ohutus töökohal

- ▶ **Hoidke oma töökoht puhas ja valgustage seda korralikult.** Korrastamata ja valgustamata töökoht võib põhjustada õnnetusi.
- ▶ **Ärge kasutage elektrilist tööriista plahvatusohtlikus keskkonnas, kus leidub tuleohtlikke vedelikke, gaase või tolmu.** Elektrilistest tööriistadest lööb sädemeid, mis võivad tolmu või auru süüdata.
- ▶ **Hoidke lapsed ja kõik teised töökohast eemal, kui kasutate elektrilist tööriista!** Kui teie tähelepanu juhitakse kõrvale, võib seade teie kontrolli alt väljuda.

#### Elektriohutus

- ▶ **Elektrilise tööriista pistik peab sobima pistikupesaga. Pistiku juures ei tohi teha mingeid muudatusi. Kaitsemaandusega seadmete puhul ei tohi kasutada adapterpistikuid.** Muutmata pistikud ja sobivad pistikupesad vähendavad elektrilöögiohtu.
- ▶ **Vältige keha kontakti maandatud pindadega (nt toru, radiaator, pliit, külmik).** Kui teie keha on maandatud, on elektrilöögi oht suurem.



- ▶ **Kaitske elektrilist tööriista vihma ja niiskuse eest.** Kui elektrilise tööriista sisemusse satub vett, suurendab see elektrilöögiohtu.
- ▶ **Ärge kasutage ühenduskaablit elektrilise tööriista kandmiseks, riputamiseks ega pistiku stepslist väljatõmbamiseks!** Hoidke ühenduskaablit eemal kuumusest, õldest, teravatest servadest ja liikuvatest osadest. Kahjustatud või keerdu ühenduskaablid suurendavad elektrilöögiohtu.
- ▶ **Kui töotate elektrilise tööriistaga vabas õhus, kasutage ainult selliseid pikendusjuhtmeid, mida tohib kasutada ka välitingimustes.** Välitingimustesse sobiva pikendusjuhtme kasutamine vähendab elektrilöögiohtu.
- ▶ **Kui seadmega töötamine niiskes keskkonnas on vältimatu, kasutage rikkevoolu kaitselüliti.** Rikkevoolu kaitselüliti kasutamine vähendab elektrilöögiohtu.

#### Inimeste ohutus

- ▶ **Olge tähelepanelik, jälgige, mida teete, ja toimige elektrilise tööriistaga töötades kaalutletult.** Ärge töötagte elektrilise tööriistaga, kui olete väsinud või alkoholi, narkootikumide või ravimite mõju all! Hetkeline tähelepanematus elektrilise tööriista kasutamisel võib põhjustada raskeid kehavigastusi ja varalist kahju.
- ▶ **Kandke isiklikke kaitsevahendeid ja alati kaitseprille.** Isiklike kaitsevahendite, nt tolmu maski, libisemiskindlate turvajalatsite, kaitsekiivri või kuulmiskaitsevahendite kandmine (sõltuvalt elektrilise tööriista tüübist ja kasutusalasest) vähendab vigastusohu.
- ▶ **Vältige elektrilise tööriista soovimatut käivitamist! Enne elektrilise tööriista ühendamist vooluvõrku ja/või elektrilise tööriista aku paigaldamist, tööriista ülestõstmist ja kandmist veenduge, et elektriline tööriist on välja lülitatud!** Kui hoiate elektrilise tööriista kandmisel sõrme lüliti või ühendate vooluvõrku sisselülitatud tööriista, võib juhtuda õnnetus.
- ▶ **Enne elektrilise tööriista sisselülitamist eemaldage selle küljest seade- ja mutrivõtmed.** Elektrilise tööriista pöörleva osa küljes olev seade- või mutrivõti võib põhjustada vigastusi.
- ▶ **Vältige ebataavalist tööasendit! Võtke stabiilne tööasend ja säilitage alati tasakaal.** Nii saate elektrilist tööriista ootamatutes olukordades paremini kontrollida.
- ▶ **Kandke sobivat rõivastust. Ärge kandke laiu riideid ega ehteid! Hoidke juuksed, rõivad ja kindad seadme liikuvatest osadest eemal.** Lotendavad riided, ehted ja pikad juuksed võivad sattuda seadme liikuvate osade vahele.
- ▶ **Kui elektrilise tööriista külge on võimalik paigaldada tolmuemaldus- ja kogumisseadiseid, veenduge, et need on tööriistaga ühendatud ja et neid kasutatakse nõuetekohaselt.** Tolmuemaldusseadise kasutamine võib vähendada tolmu tingitud ohte.
- ▶ **Ärge laske tekkida petlikul turvatundel ega eirake elektrilise tööriista ohutusreegleid isegi siis, kui olete pärast paljukordset kasutamist elektrilise tööriistaga harjunud.** Tähelepanematu käsitsemine võib sekundi mürdosa jooksul kaasa tuua raskeid vigastusi.

#### Elektrilise tööriista kasutamine ja käsitsemine

- ▶ **Ärge koormake seadet üle! Kasutage konkreetseks tööks sobivat elektrilist tööriista.** See töötab ettenähtud jõudluspiirides tõhusamalt ja ohutumalt.
- ▶ **Ärge kasutage elektrilist tööriista, mille lüliti on rikkis!** Elektriline tööriist, mida ei saa enam lülitist korralikult sisse ja välja lülitada, on ohtlik ning tuleb viia parandusse.
- ▶ **Tõmmake enne seadme mis tahes seadetõid, tarvikute vahetamist ja seadme hoieüpanekut pistik pistikupesast välja ja/või eemaldage äravõetav aku.** See ettevaatusabinõu hoiab ära seadme soovimatut käivitumist.
- ▶ **Kasutusvälisel ajal hoidke elektrilist tööriista lastele kättesaamatus kohas. Ärge laske seadet kasutada isikutel, kes seadme tööpõhimõtet ei tunne või ei ole lugenud käesolevaid kasutusjuhendeid.** Asjatundmatute isikute käes on elektrilised tööriistad ohtlikud.
- ▶ **Hooldage elektrilisi tööriistu ja tarvikuid korralikult. Kontrollige, kas liikuvad osad töötavad veatult ega kiilu kiini. Veenduge, et seadme osad ei ole murdunud või kahjustatud määral, mis mõjutab seadme töökindlust. Laske kahjustatud osad enne seadme kasutamist parandada.** Ebapiisavalt hooldatud elektrilised tööriistad põhjustavad õnnetusi.
- ▶ **Hoidke lõiketarvikud teravad ja puhtad.** Hästi hooldatud, teravate lõikeservadega lõiketarvikud kiiluvad harvemini kinni ja neid on lihtsam juhtida.
- ▶ **Kasutage elektrilist tööriista, tarvikuid ja lisatarvikuid vastavalt nende juhiste.** Arvestage seejuures töötingimuste ja tehtava töö iseloomuga. Elektrilise tööriista kasutamine otstarbel, milleks see ei ole ette nähtud, võib põhjustada ohtlikke olukordi.
- ▶ **Käepidemed ja haardepinnad peavad olema kuivad, puhtad ning vabad õlist ja rasvast.** Libedad käepidemed ja haardepinnad ei võimalda elektrilist tööriista ootamatutes olukordades kindlalt käsitseada ega kontrollida.



## Akuga tööriista kasutamine ja käsitsemine

- ▶ **Laadige akusid ainult tootja soovitatud laadimiseseadmega.** Kui teatud tüüpi aku laadimiseks ettenähtud laadimiseseadet kasutatakse teist tüüpi akude laadimiseks, tekib tulekahjuoht.
- ▶ **Kasutage elektrilistes tööriistades ainult ettenähtud akusid.** Teist tüüpi akude kasutamine võib põhjustada vigastus- ja põlenguohtu.
- ▶ **Hoidke akud kasutusvälisel ajal eemal kirjaklambritest, müntidest, võtmetest, naeltest, kruvidest ja teistest väikestest metallesemetest, mis võivad aku kontaktid omavahel ühendada.** Aku kontaktide vahel tekkinud lühis võib põhjustada põletuse või tulekahju.
- ▶ **Väärkasutuse korral võib akuvedelik akust välja voolata. Vältige sellega kokkupuudet. Juhusliku kokkupuute korral loputage kahjustatud kohta veega. Kui vedelik satub silma, otsige ka arstiabi.** Väljavoolav akuvedelik võib põhjustada nahaärritust või põletust.
- ▶ **Ärge kasutage kahjustatud ega modifitseeritud akut!** Kahjustatud või modifitseeritud akud võivad käituda ettenägematult ja põhjustada tulekahju, plahvatusi või vigastusohtu.
- ▶ **Ärge laske akul kokku puutuda tule ega liiga kõrge temperatuuriga!** Tuli või temperatuur üle 130 °C (265 °F) võivad tekitada plahvatusi.
- ▶ **Järgige kõiki laadimisjuhiseid ja ärge kunagi laadige akut ega akutööriista väljaspool kasutusjuhendis näidatud temperatuurivahemikku.** Väär laadimine või laadimine väljaspool lubatud temperatuurivahemikku võib kahjustada akut ja suurendada tuleohtu.

## Hooldus

- ▶ **Laske elektrilist tööriista parandada ainult kvalifitseeritud spetsialistidel, kes kasutavad originaalvaruosi.** Nii on tagatud elektrilise tööriista ohutu töö.
- ▶ **Ärge hooldage kahjustatud akut!** Akut võib hooldada ainult tootja või volitatud klienditeenindus.

## 2.2 Ohutusnõuded pendelliikumisega saekettaga saagimisel

- ▶ **Kui teete töid, mille puhul võib tarvik tabada varjatud elektrijuhtmeid, hoidke seadet isoleeritud haardepinnast.** Kokkupuude pingestatud elektrijuhtmega võib seada pinge alla ka seadme metalldetailid ja põhjustada elektrilöögi.
- ▶ **Kinnitage tarvik pitskruviga või muul viisil stabiilse aluspinna külge.** Kui hoiate toorikut ainult käega või surute selle vastu oma keha, ei ole see kindlalt fikseeritud, mille tagajärjel võite kaotada seadme üle kontrolli.

## 2.3 Täiendavad ohutusnõuded

- ▶ Kasutage seadet ja lisatarvikut ainult siis, kui nende tehniline seisukord on veatu.
- ▶ Ärge kunagi muutke ega modifitseerige seadet ega lisatarvikuid.
- ▶ Enne töö algust kontrollige tööala üle ja veenduge, et seal ei ole varjatud elektrijuhtmeid, gaasi- ega veetorusid. Pingestatud elektrijuhtme, gaasi- või veetoru vigastamise korral võivad seadme välised metallosad sattuda põhjustada plahvatusi või elektrilöögi.
- ▶ Hoidke ventilatsioonivad alati vabad. Kinni kaetud ventilatsioonivadest tingitud põletusohu!
- ▶ Seadme kasutamise ajal kandke kaitseprille, kuulmiskaitsevahendeid ja kaitsekindaid.
- ▶ Kasutage kaitseprille. Materjalist väljalendavad killud võivad tekitada keha- ja silmavigastusi.
- ▶ Lihvimisel, lõikamisel ja puurimisel tekkiv tolm võib sisaldada ohtlikke kemikaale. Mõned näited: plii või pliipõhised värvid; tellis, betoon ja muu müüritis, looduskivi ja muud silikaati sisaldavad tooted; teatud tüüpi puit, näiteks tamm, pöök ja keemiliselt töödeldud puit; asbest või asbesti sisaldavad materjalid. Tehke kindlaks kasutaja ja teiste läheduses viibivate isikutega kokkupuute tase, arvestades töödeldavate materjalide ohuklassi. Võtke vajalikud meetmed, et hoida kokkupuude ohutul tasemel, nt kasutage tolmukogumissüsteemi või kandke sobivat hingamisteede kaitse maski. Kokkupuute vähendamise üldiste meetmete hulka kuuluvad:
  - ▶ töötamine hästi ventileeritud piirkonnast,
  - ▶ tolmuga pikaajalise kokkupuute vältimine,
  - ▶ tolmude eemalejuhtimine näost ja kehast,
  - ▶ kaitserõivaste kandmine ja nähtavate kohtade pesemine vee ja seebiga.
- ▶ Maha kukkuvatest tööriistadest või tarvikutest tingitud vigastusoht. Enne töö alustamist veenduge, et aku ja paigaldatud tarvik on kindlalt fikseeritud.
- ▶ Lülitage seade sisse alles siis, kui see on viidud tööasendisse.
- ▶ Hoidke seadet alati ettenähtud käepidemetest. Hoidke käepidemed kuivad ja puhtad.
- ▶ Tehke tihti pause ja sirutage sõrmi, et parandada verevarustust. Pikemaajalisel töötamisel võib tugev vibratsioon tekitada häireid sõrmede, käte või randmeliigeste veresoonte ja närvisüsteemi toimimises.



- ▶ Ärge vaadake otse valgusallikasse (LED) ja ärge suunake valgust teiste inimeste näkku. Esineb pimestamise oht!
- ▶ Enne käestpanekut oodake, kuni seade on täielikult seiskunud.
- ▶ Tarviku vahetamisel kandke kaitsekindaid. Tarviku puudutamine võib tekitada löikehaavu ja põletusi!


#### **Ohutuse erinõuded tikksaagidega töötamisel**

- ▶ Saagimisel juhtige seadet alati enda kehast eemale.
- ▶ Ärge kunagi hoidke käsi saeüle ees või vastas.
- ▶ Ärge saagige tundmatut pinda ja hoidke löikejoon nii ülalt kui alt vaba takistustest.
- ▶ Ärge viige oma käsi saagimise ajal tooriku alla.

#### **2.4 Akude hoolikas käsitsemine ja kasutamine**

- ▶ **Järgige liitiumioonakude ohutu käsitemise ja kasutamise kohta esitatud juhiseid.** Eiramine võib tekitada nahaärrituse, söövituse, keemilise põletuse, tulekahju ja/või põhjustada plahvatusi.
- ▶ Kasutage akusid ainult siis, kui nende tehniline seisukord on veatu.
- ▶ Käsitlege akusid ettevaatlikult, et vältida kahjustusi ja tervist kahjustavate vedelike lekkimist!
- ▶ Akusid ei tohi mingil juhul muuta ega ümber ehitada!
- ▶ Akusid ei tohi lahti võtta, muljuda, kuumutada üle 80 °C (176 °F) ega ära põletada.
- ▶ Ärge kasutage ega laadige akusid, mis on saanud löögi või muul viisil kahjustada. Kontrollige regulaarselt akusid kahjustuste suhtes.
- ▶ Ärge kasutage kunagi ringlusse võetud või remonditud akusid.
- ▶ Ärge kunagi kasutage akut või akutoituga elektritööriista löögitarvikuna.
- ▶ Ärge jätke akut kunagi otsese päikesekiirguse, kuumuse, sädemete või lahtise leegi kätte. See võib põhjustada plahvatusi.
- ▶ Ärge puudutage aku pooluseid sõrmede, tööriistade, ehete või muude metallesemetega. See võib akut kahjustada, samuti tekitada varalist kahju ja kehavigastusi.
- ▶ Hoidke akusid eemal vihmast, niiskusest ja vedelikest. Sissetungiv niiskus võib põhjustada lühist, elektrilööki, põletust, tulekahju ja plahvatust.
- ▶ Kasutage üksnes aku tüübile vastavaid laadijaid ja elektritööriistu. Juhinduge asjaomastes kasutusjuhendites esitatud andmetest.
- ▶ Ärge kasutage ega hoiustage akut plahvatusohtlikus keskkonnas.
- ▶ Kui aku on nii kuum, et seda ei saa puudutada, võib aku olla defektne. Asetage aku nähtavasse tulekindlasse kohta, mis on süttivatest materjalidest piisavaltkaugel. Laske akul jahtuda. Kui aku on ühe tunni pärast ikka veel liiga kuum, et seda puudutada saaks, siis on aku defektne. Pöörduge **Hilti** hooldekeskusesse või lugege läbi dokument "Juhised **Hilti** liitiumioonakude ohutu käsitemise ja kasutamise kohta".



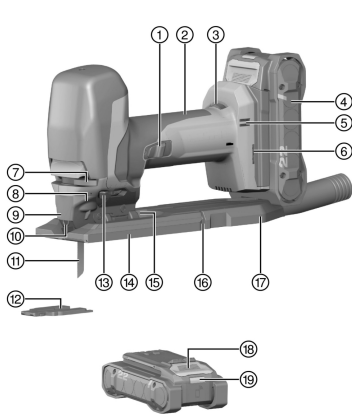
Järgige liitiumioonakude transpordi, ladustamise ja käsitemise kohta esitatud erijuhiseid.  25  
Lugege läbi **Hilti** liitiumioonakude ohutu käsitemise ja kasutamise juhised, mis avanevad käesoleva kasutusjuhendi lõpus oleva QR-koodi skannimisel.





### 3 Kirjeldus

#### 3.1 Toote ülevaade 1



- ① Toitelüliti
- ② Käepide
- ③ Käigusageduse regulaator
- ④ Aku
- ⑤ Ventilatsioonivad
- ⑥ Lisatarvikute paigaldamise ava
- ⑦ Saelehe vabastamise hoob
- ⑧ Tarvikukinnitus
- ⑨ Kaitsekate
- ⑩ Puutekaitse
- ⑪ Saeleht
- ⑫ Materjali rebenemisvastane kaitse
- ⑬ Pendelliikumise reguleerimise hoob
- ⑭ Alusplaat
- ⑮ Lõikenurga seadistamise skaala
- ⑯ Fiksaatorkonks
- ⑰ Tolmueemaldusadapter
- ⑱ Aku vabastusnupp
- ⑲ Aku oleku indikaator

#### 3.2 Sihipärane kasutamine

Kirjeldatud toode on käsitsi juhitud akutoitega pendeltikksaag. See on ette nähtud plast-, puit- ja metallmaterjalide ning kips- ja kiudplaatide saagimiseks.

Toode on varustatud eemaldatava tolmuimejaliitmikuga, mis lubab kasutada standardse vooliküläbimõõduga tolmuimejaid. Imivooliku ühendamiseks tootega võib osutada vajalikuks sobiv adapter.

- Kasutage selle toote jaoks ainult **Hilti** Nuron B 22 seeria liitumioonakusid. Optimaalse võimsuse tagamiseks soovib **Hilti** kasutada selle toote jaoks käesoleva kasutusjuhendi lõpus olevas tabelis nimetatud akusid.
- Kasutage nende akude laadimiseks ainult käesoleva kasutusjuhendi lõpus nimetatud seeriasse kuuluvaid **Hilti** laadimiseseadmeid.
- Kasutage selle toote jaoks ainult T-sabaga (ühenukilise sabaga) saelehti.

#### 3.3 Võimalik väärkasutus

- Toodet ei tohi kasutada okste ja puutüvede mahasaagimiseks.
- Toodet ei tohi kasutada terviseohtlike materjalide töötlemiseks.
- Toodet ei tohi kasutada niiskes keskkonnas tehtavateks töödeks.

#### 3.4 Liitumioonaku kuvamine

**Hilti** Nuron liitumioonakud saavad näidata laetuse astet, anda veateateid ja näidata aku olekut.

##### 3.4.1 Laetuse astme ja veateadete kuvamine

#### HOIATUS

##### Vigastuste oht allakukkuva aku tõttu!

- ▶ Kui aku on paigaldatud, tehke vabastuslukule vajutamisega kindlaks, et aku on kasutatavasse tootesse õigesti sisse pandud.

Selleks et kuvada ühte järgmistest näitudest, vajutage korraks aku vabastusnupule.

Laetuse astet ning võimalikke tõrkeid kuvatakse pidevalt seni, kuni ühendatud seade on sisse lülitatud.

Seisund	Tähendus
Neli (4) LED-tuld põlevad pideva rohelise tulega	Laetuse aste: 100 % kuni 71 %



Seisund	Tähendus
Kolm (3) LED-tuld põlevad pideva rohelise tulega	Laetuse aste: 70 % kuni 51 %
Kaks (2) LED-tuld põlevad pideva rohelise tulega	Laetuse aste: 50 % kuni 26 %
Üks (1) LED-tuli põleb pideva rohelise tulega	Laetuse aste: 25 % kuni 10 %
Üks (1) LED-tuli vilgub aeglaselt rohelise tulega	Laetuse aste: < 10 %
Üks (1) LED-tuli vilgub aeglaselt rohelise tulega	Liitiumioonaku on täielikult tühjenenud. Laadige akut. Kui LED-tuled pärast laadimist ikka veel kiiresti vilguvad, pöörduge <b>Hilti</b> hooldekeskusse.
Üks (1) LED-tuli vilgub kiiresti kollase tulega	Liitiumioonaku ja sellega ühendatud seade on üle koormatud, liiga külmad või liiga kuumad või on tegemist muu veaga. Viige seade ja aku soovitatud töötemperatuurile ja ärge avaldage tootele ülekoormust. Kui teade ei kao, pöörduge <b>Hilti</b> hooldekeskusse.
Üks (1) LED-tuli põleb kollase tulega	Liitiumioonaku ja sellega seotud toode ei ühildu. Palun pöörduge <b>Hilti</b> hooldekeskusse.
Üks (1) LED-tuli vilgub kiiresti punase tulega	Liitiumioonaku on lukustatud ja seda ei saa kasutada. Palun pöörduge <b>Hilti</b> hooldekeskusse.

### 3.4.2 Akude oleku kuvamine

Aku seisundi teadasaamiseks hoidke vabastusklahvi all kauem kui kolm sekundit. Süsteem ei tuvasta võimalikku aku tõrget, mis on tingitud valest käsitlemisest, nt kukkumisest, torgetest, suurest kuumusest vms.

Seisund	Tähendus
Kõik LED-tuled süttivad pideva tulena ja seejärel põleb (1) LED-tuli pidevalt rohelise tulega.	Akut võib jätkuvalt kasutada.
Kõik LED-tuled süttivad pideva tulena (1) ja LED-tuli vilgub kiiresti kollase tulega.	Aku oleku kohta esitatud päringut ei saanud lõpetada. Korrake protsessi või pöörduge <b>Hilti</b> hooldekeskusse.
Kõik LED-tuled süttivad pideva tulena ja seejärel põleb (1) ja LED-tuli pideva punase tulega.	Kui ühendatud seadet saab jätkuvalt kasutada, on aku allesjäänud mahtuvus alla 50%. Kui ühendatud seadet ei saa enam kasutada, on aku kasutusressurss ammendunud ja aku tuleb välja vahetada. Palun pöörduge <b>Hilti</b> hooldekeskusse.

### 3.5 Saepurupuhur

Saepurupuhur suunab saekehle õhuvoo, et hoida lõikejoont puhtana.

### 3.6 Käigusagedus

Käigusagedust saab reguleerida regulaatorist. Asend 1 vastab kiirusele 800 käiku minutis ning asend 6 vastab kiirusele 3000 käiku minutis.

### 3.7 4-astmeline pendelliikumine

Tänu 4-astmelisele pendelliikumisele saab saagimisvõimsust ja tulemust kohandada vastavalt töödeldavale materjalile. Pendelliikumise reguleerimise hoovaga saab valida 4 astme vahel.

Mida puhtamat ja peenemat lõikeserva soovitakse, seda väiksem pendelliikumise aste tuleb valida. Optimaalne pendelliikumine selgub praktilise katse käigus.

Seisund	Tähendus
Samm 0	Pendelliikumine puudub
Samm 1	Väike pendelliikumine
Samm 2	Keskmine pendelliikumine
Samm 3	Suur pendelliikumine



### 3.8 Materjali rebenemistvastane kaitse

Toodet saab varustada materjali rebenemistvastase kaitsega.

Materjali rebenemistvastane kaitse väldib puitmaterjalide saagimisel pealispinna rebenemist.

### 3.9 Seadme automaatne väljalülitamine

Niipea kui toitelüliti on pidevalt kauem kui 15 minutit alla vajutatud (nt transportimisel või hoieulepanekul), lülitub seade automaatselt välja. See hoiab ära aku süvatühjenemise.

### 3.10 Tarnekomplekt

Pendeltikka saag ning saeleht, kaitsekate, tolmuemaldusadapter, materjali rebenemistvastase kaitse, kasutusjuhend, sisekuuskantvõti.

Seadmega sobivad muud süsteemitooted leiata **Hilti Store** või veebisaidilt: [www.hilti.group](http://www.hilti.group)

## 4 Tehnilised andmed

### 4.1 Pendeltikka saag

	<b>SJT 6-22</b>
<b>Tootepõlvkond</b>	02
<b>Nimipinge</b>	21,6 V
<b>Kaal vastavalt EPTA Procedure 01 ilma akuta</b>	2,1 kg
<b>Käigu pikkus</b>	28 mm
<b>Tühikäigusagedus (n<sub>s</sub>)</b>	800 p/min ... 3 000 p/min
<b>Maksimaalne löikejõudlus puidus</b>	150 mm
<b>Maksimaalne löikejõudlus alumiiniumis</b>	25 mm
<b>Maksimaalne löikejõudlus legeerimata terases</b>	10 mm
<b>Lõikenurk (vasakule/paremale)</b>	0° ... 45°
<b>tolmuemaldusadapteri välisläbimõõt</b>	27,5 mm
<b>Hoiutemperatuur</b>	-20 °C ... 70 °C
<b>Ümbritseva keskkonna temperatuur töötamise ajal</b>	-17 °C ... 60 °C

### 4.2 Teave müra ja vibratsiooni kohta

Käesolevas juhendis märgitud helirõhu- ja vibratsioonitase on mõõdetud standarditult mõõtemetodil ja seda saab kasutada elektriliste tööriistade omavaheliseks võrdlemiseks. See sobib ka vibratsiooni- ja mürataseme esialgseks hindamiseks.

Toodud näitajad iseloomustavad elektrilise tööriista põhilisi ettenähtud töid. Kui aga elektrilist tööriista kasutatakse muul otstarbel, teiste tarvikutega või kui tööriista on ebapiisavalt hooldatud, võivad näitajad käesolevas juhendis toodud näitajatest kõrvale kalduda. See võib vibratsiooni- ja mürataseme töötamise koguperioodil tunduvalt suurendada.

Müra- ja vibratsioonitaseme täpseks hindamiseks tuleb arvesse võtta ka aega, mil elektriline tööriist oli välja lülitatud või küll sisse lülitatud, kuid tegelikult tööle rakendamata. See võib vibratsiooni- ja mürataseme töötamise koguperioodil tunduvalt vähendada.

Kasutaja kaitseks müra ja/või vibratsiooni eest võtke tarvitusele täiendavaid kaitsemeetmeid, näiteks: hooldage elektrilist tööriista ja tarvikuid korralikult, hoidke käed soojad, tagage sujuv töökorraldus.



Üksikasjalikku teavet standardite **EN 62841** siin kasutatud versioonide kohta leiata vastavusdeklaratsiooni koopialt 250.

### Müratase

	<b>SJT 6-22</b>
<b>Helivõimsustase (L<sub>WA</sub>)</b>	99 dB(A)
<b>Helivõimsustaseme mõõtemääramatus (K<sub>WA</sub>)</b>	5 dB(A)



	<b>SJT 6-22</b>
Helirõhutase ( $L_{pA}$ )	91 dB(A)
Helirõhutase mõõtemääramatus ( $K_{pA}$ )	5 dB(A)

#### Vibratsioonitase

		<b>SJT 6-22</b>
Vibratsioonitase laastplaatide saagimisel ( $a_{n,b}$ )	<b>B 22-55</b>	5,2 m/s <sup>2</sup>
	<b>B 22-255</b>	5,3 m/s <sup>2</sup>
Vibratsioonitase lehtmetsa saagimisel ( $a_{n,M}$ )	<b>B 22-55</b>	8,5 m/s <sup>2</sup>
	<b>B 22-255</b>	7,2 m/s <sup>2</sup>
Mõõtemääramatus (K)		1,5 m/s <sup>2</sup>

#### 4.3 Aku

Aku tööpinge	21,6 V
Aku kaal	Vt kasutusjuhendi lõpust
Ümbritseva keskkonna temperatuur töötamise ajal	-17 °C ... 60 °C
Hoiutemperatuur	-20 °C ... 40 °C
Aku temperatuur laadimise alguses	-10 °C ... 45 °C

## 5 Töö ettevalmistamine

### HOIATUS

#### Vigastuste oht soovimatu käivitumise tõttu!

- ▶ Enne aku paigaldamist veenduge, et selle juurde kuuluv seade on välja lülitatud.
- ▶ Enne seadme seadistamist ja tarvikute vahetamist eemaldage seadmest aku.

Järgige kasutusjuhendis esitatud ja tootele märgitud ohutusnõudeid ja hoiatusi.

#### 5.1 Aku laadimine

1. Enne laadimist lugege laadimiseseadme kasutusjuhendit.
2. Veenduge, et aku ja laadimiseseadme kontaktid on puhtad ja kuivad.
3. Laadige akut selleks ettenähtud laadimiseseadmega. 19

#### 5.2 Aku paigaldamine

### HOIATUS

#### Vigastuste oht lühise või allakukkunud aku tõttu!

- ▶ Enne aku paigaldamist veenduge, et aku ja seadme kontaktidel ei ole võõrkehaid.
- ▶ Veenduge, et aku fikseerub alati korrektselt kohale.

1. Enne esmakordset kasutamist laadige aku täiesti täis.
2. Lükake aku seadmesse, kuni see kuuldavalt kohale fikseerub.
3. Kontrollige aku kindlat kinnitumist.

#### 5.3 Aku eemaldamine

1. Vajutage aku vabastusnupule.
2. Tõmmake aku seadmest välja.

#### 5.4 Saelehe paigaldamine

1. Suruge saeleht (hambad lõikesuunas) kinnitusse, kuni saeleht fikseerub kohale.
2. Tõmmake saelehelt, kontrollimaks, kas see on kindlalt kinni.



## 5.5 Kaitsekatte pealepanek

- ▶ Lükake kaitsekate eest toote peale, kuni see fikseerub kohale.



Kaitsekattet saab peale panna ainult siis, kui alustald on normaalasendis (0°-löikenurk). 23

## 5.6 Tolmueemaldusadapteri paigaldamine

1. Lükake tolmueemaldusadapter tagant horisontaalsuunas alustalda, nii et mõlemad fiksaatorkonksud fikseeruvad külgedelt kohale.
2. Ühendage tolmuimemiseadise voolik tolmueemaldusadapteriga.

## 5.7 Materjali rebenemistvastase kaitse paigaldamine

- ▶ Suruge materjali rebenemistvastane kaitse alt alusplaati.



Materjali rebenemistvastast kaitset saab kasutada ainult selleks ettenähtud saelehtedega.

Materjali rebenemistvastast kaitset saab kasutada ainult siis, kui alustald on normaalasendis (0°-löikenurk). 23

## 5.8 Lukustusklamber



### HOIATUS

**Vigastuste oht** põhjustatud allakukkuvast tööriistast ja/või tarvikust!

- ▶ Toote jaoks kasutage üksnes soovitatud **Hilti** tarvikuhoidetrossi.
- ▶ Iga kord enne kasutamist kontrollige, et tarvikuhoidetrossi kinnituspunkt ei ole kahjustada saanud.
- ▶ Ärge kinnitage tarvikuhoidetrossi vööklambri külge. Ärge kasutage vööklambrit toote töstmiseks.



Järgige riigis kehtivaid eeskirju kõrgustes töötamise kohta.

Selle toote puhul kasutage kukkumiskaitsena vaid **Hilti** kukkumiskaitset kombinatsioonis **Hilti** tööriistatrossiga #2261970.

- ▶ Kinnitage kukkumiskaitse lisatarviku paigaldusavadesse. Kontrollige kindlat kinnitumist.
- ▶ Kinnitage üks karabiinikonks tööriistatrossi külge ja teine karabiinikonks kandva konstruktsiooni külge. Kontrollige mõlema karabiinikonksu kindlat kinnitumist.



Järgige **Hilti** kukkumiskaitse ja **Hilti** tööriistatrossi kasutusjuhendeid.

## 6 Käsitsemine

Järgige kasutusjuhendis esitatud ja tootele märgitud ohutusnõudeid ja hoiatusi.

### 6.1 Tolmuimemiseadise kasutamine



Tolmuimemiseadis vähendab tolmu teket, suurendab tööohutust tänu paremini nähtavale löikejoonele ning hoiab ära tolmu ja saepuru kogunemise töötamise kohas.

1. Pange kaitsekate peale. 23
2. Kasutage alati tolmuimemiseadist, kui töölete seadmega pikema aja vältel puitu või materjale, mille puhul võib tekkida rohkelt tolmu.


### 6.2 Löikenurga seadmine

1. Võtke tolmueemaldusadapter maha. 24
2. Keerake lahti alustalla kruvi.



3. Seadistage soovitud lõikenurk (0°kuni 45° mõlemas suunas).
  - ▶ 0°-lõikenurga korral on alustald pöördekindlas asendis. Lõikenurga reguleerimiseks tuleb alustald esmalt taha lükata.
  - ▶ Kui reguleerite alustalla tagasi 0°-lõikenurga peale, lükake alustald seejärel uuesti ette, et see pöördekindlas asendis fikseerida.
4. Keerake kruvi uuesti kinni.
  - ▶ Alustald on kinnitatud.

### 6.3 Sisselülitamine

-  Turvafunktsioon hoiab ära seadme käivitamise juhul, kui seade lülitatakse esmalt sisse ja seejärel paigaldatakse aku. Lükake toitelüliti taha ja seejärel uuesti ette.

- ▶ Lükake toitelüliti ette.

### 6.4 Uputuslõiked

1. Viige pendelliikumise reguleerimise hoob asendisse 0.
2. Asetage seade alustalla eesmise servaga toorikule.
3. Hoidke seadet kinni ja vajutage toitelülitile.
4. Suruge seadet tugevasti vastu toorikut ja uputage seade toorikusse, vähendades nurka.
5. Kui olete tooriku läbi torganud, viige seade normaalsesse tööasendisse.
  - ▶ Alustald on täies ulatuses tooriku peal.
6. Saagige piki lõikejoont edasi.

### 6.5 Väljalülitamine

- ▶ Lükake toitelüliti taha.

## 7 Mahavõtmine

### 7.1 tolmueemaldusadapteri mahavõtmine

1. Suruge mõlemad fiksaatorkonksud sisse.
2. Tõmmake tolmueemaldusadapter alustallalt suunaga taha maha.
3. Tõmmake tolmumeija voolik tolmueemaldussüsteemi adapteri küljest ära.

### 7.2 Kaitsekatte eemaldamine

- ▶ Asetage kaitsekate veidi kaldu ja tõmmake see ettepoole küljest ära.

### 7.3 Saelehe väljaviskamine

#### HOIATUS

**Vigastuste oht!** Saelehe kontrollimatu väljaviskumine võib tekitada vigastusi.

- ▶ Hoidke seadet saelehe väljaviskamise ajal nii, et väljaviskuv saelett ei saa vigastada inimesi ega loomi.
- ▶ Keerake saelehe vabastamise hooba piirikuni külgsuunas.
  - ▶ Saelett vabastatakse ja visatakse välja.

## 8 Hooldus ja korrashoid

#### HOIATUS

**Vigastuste oht paigaldatud aku korral !**

- ▶ Enne mis tahes hooldus- ja korrashoiutöid eemaldage seadmist aku!

#### Toote hooldus

- Kõvasti kinni olev mustus eemaldage ettevaatlikult.
- Ventilatsiooniasiad puhastage ettevaatlikult kuiva, pehme harjaga.



- Puhastage korpust ainult veidi niiske lapiga. Ärge kasutage silikooni sisaldavaid hooldusvahendeid, sest need võivad kahjustada seadme plastdetaili.
- Seadme kontaktide puhastamiseks kasutage puhast kuiva lappi.

#### Liitium-ioonakude hooldus

- Ärge kunagi kasutage akut, mille ventilatsiooniavad on ummistunud. Puhastage ventilatsiooniavasid ettevaatlikult kuiva, pehme harjaga.
- Kaitske akut tolmu ja mustuse eest. Ärge jätke akut kunagi suure niiskuse kätte (ärge asetage seda vette ja ärge jätke vihma kätte).

Kui aku on märjaks saanud, siis käsitlege seda nii, nagu oleks see kahjustatud. Isoleerige aku tulekindlas anumast ja pöörduge **Hilti** hooldekeskusesse.

- Hoidke aku puhas õlist ja rasvast. Vältige akusse asjatult tolmu ja mustuse kogunemist. Puhastage akut kuiva pehme harjaga või puhta kuiva lapiga. Ärge kasutage silikooni sisaldavaid hooldusvahendeid, sest need võivad kahjustada seadme plastdetaili.  
Ärge puudutage aku kontakte ja ärge eemaldage kontaktidelt tehases peale kantud määret.
- Puhastage korpust ainult veidi niiske lapiga. Ärge kasutage silikooni sisaldavaid hooldusvahendeid, sest need võivad kahjustada seadme plastdetaili.

#### Korrashoold

- Kontrollige regulaarselt, kas kõik nähtavad osad on terved ja juhtelemendid töötavad veatult.
- Ärge kasutage seadet kahjustuste ja/või tõrgete korral. Laske seade kohe parandada **Hilti** hooldekeskuses.
- Pärast hooldus- ja korrashoiutõid paigaldage kõik kaitseseadised ja kontrollige, kas need töötavad veatult.



Ohutu töö tagamiseks kasutage ainult originaalvaruosi ja -materjale. **Hilti** heakskiidetud varuosad, materjalid ja lisatarvikud oma tootele leiate müügiesindusest **Hilti Store** või veebilehelt: [www.hilti.group](http://www.hilti.group)

### 8.1 Tolmueemaldusadapteri puhastamine

1. Võtke tolmueemaldusadapter maha. 24
2. Puhastage tolmueemaldusadapter.
3. Kontrollige, kas fiksaatorkonksud on terved.
4. Paigaldage tolmueemaldusadapter. 23

### 8.2 Saelehtede puhastamine

1. Puhastage kasutatud saelehti regulaarselt vaigust.
2. Asetage saelehed 24 tunniks petrooleumi või muudesse vaigu eemaldamise vahenditesse.

## 9 Akutööriistade ja akude transport ja ladustamine

### Transport



#### ETTEVAATUST

#### Soovimatu käivitumine transportimisel !

- ▶ Transportige tooteid ilma akudeta!
- ▶ Eemaldage aku/akud.
- ▶ Ärge kunagi transportige akusid lahtiselt. Enne aku transportimist tuleb aku pakendada nii, et see oleks kaitsitud löökide ja vibratsiooni eest ning isoleeritud kõikidest elektrit juhtivatest materjalidest või teistest akudest, et vältida kokkupuudet teise aku poolustega ning lühise teket. **Järgige akude transpordi suhtes kehtivaid riigisiseseid nõudeid.**
- ▶ Akusid ei tohi saata posti teel. Kahjustamata akude saatmiseks pöörduge logistikaettevõtja poole.
- ▶ Iga kord enne kasutamist ning enne ja pärast pikemat transporti või hoiustamist kontrollige seadet ja akusid vigastuste suhtes.

### Hoiustamine



#### HOIATUS

#### Defektsed akud või lekkivad akud võivad tekitada vigastusi !

- ▶ Kasutusvälisel ajal eemaldage seadmest aku!



- ▶ Hoidke seadet ja akusid jahedas ja kuivas kohas. Pidage kinni tehnilistes andmetes toodud temperatuuripiirangutest.
- ▶ Ärge hoidke akusid laadimisseadmes. Pärast laadimist eemaldage aku laadimisseadmest.
- ▶ Ärge hoidke akusid päikese käes, radiaatori peal või klaasi taga.
- ▶ Hoidke seadet ja akusid lastele ja kõrvalistele isikutele ligipääsmatus kohas.
- ▶ Iga kord enne kasutamist ning enne ja pärast pikemaajalist seismist kontrollige seadet ja akusid kahjustuste suhtes.

## 10 Abi tõrgete puhul

Kõikide tõrgete puhul pöörake tähelepanu aku laetuse astme ja tõrgete indikaatoritele. Vt ptk **Li-Ion-aku laetuse näidud**.

Kui peaks esinema tõrge, mida ei ole järgmises tabelis nimetatud või mida Te ei suuda ise kõrvaldada, pöörduge **Hilti** hooldekeskusse.

Tõrge	Võimalik põhjus	Lahendus
Saeleht kukub välja.	Saeleht ei ole korrektselt lukustatud.	<ul style="list-style-type: none"> <li>▶ Korra ke kinnitamistoimingut.</li> <li>▶ Veenduge, et tarviku kinnitus on täielikult avatud ja et surute saelehte sisse takistust ületades.</li> </ul>
	Kinnitussüsteem on määrdunud.	▶ Puhastage tarviku kinnitus.
Saelehte ei saa sisse panna.	Kinnitussüsteem on määrdunud.	▶ Puhastage tarviku kinnitus.
Pendelliikumist ei saa reguleerida.	Pendelliikumise hoova soon on määrdunud.	▶ Puhastage pendelliikumise hoova soon mustusest.
Pendelliikumine ei toimi.	Pendelliikumise mehhanism on määrdunud.	▶ Kontrollige, kas pendelkahlvite piirkonnas on mustust, eemaldage see.
	Pendelliikumise hoob on asendis "0".	▶ Reguleerige välja soovitud väärtus.
Aku tühjeneb tavalisest kiiremini.	Ümbritseva keskkonna väga madal temperatuur.	▶ Laske akul aeglaselt ruumitemperatuurile soojeneda.
Aku ei fikseeru kuuldava klõpsatusega.	Aku fiksaatorid on määrdunud.	▶ Puhastage fiksaatorid ja paigaldage aku uuesti.
Seade või aku läheb väga kuumaks.	Elektriline rike	▶ Lülitage seade kohe välja, eemaldage aku, jälgige seda, laske akul jahtuda ja võtke ühendust <b>Hilti</b> hooldekeskusega.
Aku LED-tuled on kustunud	Aku on defektne	▶ Pöörduge <b>Hilti</b> hooldekeskusse.

## 11 Utiliseerimine



### HOIATUS

**Valest käitlemisest tingitud vigastuste oht!** Eralduvad gaasid või vedelikud on terviseohtlikud.

- ▶ Ärge saatke kahjustada saanud akusid posti teel!
- ▶ Lühise vältimiseks katke akukontaktid elektrit mittejuhtiva materjaliga.
- ▶ Käideldelge akusid nii, et need ei satu laste kätte.
- ▶ Utiliseerige aku **Hilti Store** esinduses või pöörduge asjaomase jäätmekäitlusettevõtte poole.

Enamik **Hilti** seadmete valmistamisel kasutatud materjalidest on taaskasutatavad. Taaskasutuse eelduseks on materjalide korralik sorteerimine. Paljudes riikides kogub **Hilti** kasutusressursi ammendanud seadmed kokku. Lisateavet saate **Hilti** müügiesindusest.



- ▶ Ärge visake kasutusressursi ammendanud elektrilisi tööriistu, elektroonikaseadmeid ja akusid olmejäätmete hulka!





## 12 Tootja garantii

- ▶ Garantiitingimusi puudutavates küsimustes pöörduge oma kohaliku **Hilti** partneri poole.

## 13 Lisateave

Lisateavet käsitemise, tehnika, keskkonna ja ümbertöötuse kohta leiate lingilt:

**qr.hilti.com/manual/?id=2264217&id=2264218**

See link sisaldab ka käesoleva kasutusjuhendi lõpus QR-koodina.



## Originaalä lietošanas instrukcija

### 1 Informācija par lietošanas instrukciju

#### 1.1 Par šo lietošanas instrukciju

- **Brīdinājums!** Pirms sākt izstrādājuma lietošanu, pārliecinieties, ka ir izlasīta un saprasta izstrādājumam pievienotā lietošanas instrukcija, ieskaitot pamācības, drošības norādījumus un brīdinājumus, attēlus un specifikācijas. Īpaši rūpīgi iepazīstieties ar pamācībām, drošības norādījumiem un brīdinājumiem, attēliem un specifikācijām, kā arī sastāvdaļām un funkcijām. Neievērošanas gadījumā pastāv elektriskās strāvas trieciena, aizdegšanās un/vai smagu traumu risks. Rūpīgi uzglabājiet lietošanas instrukciju, ieskaitot visas pamācības, drošības norādījumus un brīdinājumus, turpmākai izmantošanai.
- **HILTI** izstrādājumi ir paredzēti profesionāliem lietotājiem, un to darbināšanu, apkopi un tehniskā stāvokļa uzturēšanu drīkst veikt tikai kvalificēts, atbilstīgi apmācīts personāls. Personālam ir jābūt labi informētam par iespējamajiem riskiem, kas var rasties darba laikā. Izstrādājums un tā papildaprīkojums var radīt bīstamas situācijas, ja to iztic neprofesionālam personālam vai nelieto atbilstīgi nosacījumiem.
- Pievienotā lietošanas instrukcija atbilst aktuālajam tehnikas attīstības līmenim tās sagatavošanas brīdī.. Aktuālā versija vienmēr ir pieejama tiešsaistē, Hilti izstrādājumu lapā. Lai tai piekļūtu izmantojiet šajā lietošanas instrukcijā iekļauto saiti vai kvadrāt kodu, kas apzīmēts ar simbolu
- Vienmēr pievienojiet lietošanas instrukciju izstrādājumam, ja tas tiek nodots citai personai.

#### 1.2 Apzīmējumu skaidrojums

##### 1.2.1 Brīdinājumi

Brīdinājumi pievērš uzmanību bīstamībai, kas pastāv, strādājot ar izstrādājumu. Tiek lietoti šādi signālvārdi:

**BĪSTAMI!**

**BĪSTAMI!**

- ▶ Pievērš uzmanību draudošām briesmām, kas var izraisīt smagus miesas bojājumus vai nāvi.

**BRĪDINĀJUMS!**

**BRĪDINĀJUMS!**

- ▶ Pievērš uzmanību iespējamam apdraudējumam, kas var izraisīt smagas traumas vai pat nāvi.

**IEVĒROT PIESARDZĪBU!**

**UZMANĪBU!**

- ▶ Norāda uz iespējami bīstamām situācijām, kas var izraisīt traumas vai materiālos zaudējumus.

##### 1.2.2 Simboli lietošanas instrukcijā

Šajā lietošanas instrukcijā tiek izmantoti šādi simboli:



	Ievērojiet lietošanas instrukciju
	Norādījumi par lietošanu un cita noderīga informācija
	Rīcība ar otrreiz pārstrādājamiem materiāliem
	Neizmetiet elektroiekārtas un akumulatorus sadzīves atkritumos.
	<b>Hilti</b> Litija jonu akumulators
	<b>Hilti</b> Lādētājs

### 1.2.3 Attēlos lietotie simboli

Attēlos tiek lietoti šādi simboli:

	Šis skaitļi norāda uz attiecīgajiem attēliem, kas atrodami šīs lietošanas instrukcijas sākumā.
3	Numerācija attēlos atbilst veicamo darbību secībai un var atšķirties no darbību apraksta tekstā.
	Pozīciju numuri tiek lietoti attēlā <b>Pārskats</b> un norāda uz leģendas numuriem sadaļā <b>Izstrādājuma pārskats</b> .
	Šī simbola uzdevums ir pievērst īpašu uzmanību izstrādājuma lietošanas laikā.

## 1.3 Simboli atkarībā no izstrādājuma

### 1.3.1 Papildu simboli

Šajā dokumentācijā vai uz izstrādājuma papildus var tikt lietoti šādi simboli:

$n_0$	Gājēju skaits tukšgaitā
	Līdzstrāva
Li-Ion	Litija jonu akumulators
	Izstrādājums atbalsta tehnoloģiju NFC, kas ir saderīga ar iOS un Android platformām.
	Nekādā gadījumā nelietojiet akumulatoru kā triecieninstrumentu.
	Sargājiet akumulatoru no kritieniem. Nelietojiet akumulatoru, ja tas ir bijis pakļauts triecienam vai tam ir radušies cita veida bojājumi.

## 2 Drošība

### 2.1 Vispārīgi drošības norādījumi par darbu ar elektroiekārtām

**⚠ BRĪDINĀJUMS!** Iepazīstieties ar visiem drošības norādījumiem, instrukcijām, attēliem un tehniskajiem parametriem, kas attiecas uz šo elektroiekārtu. Turpmāk izklāstīto instrukciju neievērošana var izraisīt elektrošoku, ugunsgrēku un/vai nopietnas traumas.

**Saglabājiet visus drošības norādījumus un instrukcijas turpmākai lietošanai.**

Drošības norādījumos lietotais apzīmējums "elektroiekārta" attiecas uz iekārtām ar tīkla barošanu (ar barošanas kabeli) vai iekārtām ar barošanu no akumulatora (bez kabeļā).

#### Drošība darba vietā

- ▶ **Uzturiet darba vietā tīrību un kārtību un nodrošiniet labu apgaismojumu.** Nekārtīgā darba vietā vai sliktā apgaismojumā var viegli notikt nelaimes gadījums.
- ▶ **Nestrādājiet ar elektroiekārtu sprādzienbīstamā vidē, kur atrodas uzliesmojoši šķidrums, gāzes vai putekļi.** Darbības laikā elektroiekārtas mēdz dzirkstēt, un tas var izraisīt viegli uzliesmojošu putekļu vai tvaiku aizdegšanos.



- ▶ Lietojot elektroiekārtu, neļaujiet nepiederošām personām un jo īpaši bērniem tuvoties darba vietai. Citu personu klātbūtne var novērst uzmanību, un tā rezultātā jūs varat zaudēt kontroli pār iekārtu.

### Elektrodrošība

- ▶ Elektroiekārtas kontaktdakšai jāatbilst elektrotīkla kontaktligzdai. Kontaktdakšas konstrukciju nedrīkst nekādā veidā mainīt. Kopā ar elektroiekārtām, kurām ir aizsargzeme, nedrīkst lietot adapteru spraudņus. Neizmaiņas konstrukcijas kontaktdakša, kas atbilst kontaktligzdai, ļauj samazināt elektrošoka risku.
- ▶ Darba laikā nepieskarieties saņemtiem priekšmetiem, piemēram, caurulēm, radiatoriem, plītiem vai ledusskapjiem. Pieskaroties saņemtiem virsmām, pieaug risks saņemt elektrisko triecienu.
- ▶ Nelietojiet elektroiekārtu lietus laikā, neturiet to mitrumā. Mitrumam iekļūstot elektroiekārtā, pieaug risks saņemt elektrisko triecienu.
- ▶ Nenesiet un nepakariniet elektroiekārtu aiz barošanas kabeļa un neraujiet aiz kabeļa, ja vēlaties atvienot iekārtu no elektrotīkla kontaktligzdas. Sargājiet barošanas kabeli no karstuma, eļļas, asām šķautnēm vai kustīgām detaļām. Bojāts vai sapīņķerējis barošanas kabelis var kļūt par cēloni elektrošokam.
- ▶ Darbinot elektroiekārtu ārpus telpām, izmantojiet tās pievienošanai vienīgi tādus pagarinātāja-kabeļus, kas ir paredzēti lietošanai brīvā dabā. Lietojot elektrokabeļi, kas ir piemērots darbam ārpus telpām, samazinās elektrošoka risks.
- ▶ Ja elektroiekārtas izmantošana slapjā vidē ir obligāti nepieciešama, lietojiet bojājumstrāvas aizsargslēdzi. Bojājumstrāvas aizsargslēdža lietošana samazina elektrošoka risku.

### Personiskā drošība

- ▶ Strādājiet ar elektroiekārtu uzmanīgi, darba laikā saglabājiet paškontroli un rīkojieties saskaņā ar veselo saprātu. Ar elektroiekārtu nedrīkst strādāt personas, kas ir nogurušas vai atrodas narkotiku, alkohola vai medikamentu ietekmē. Mirkļis neuzmanības, strādājot ar elektroiekārtu, var novest pie nopietnām traumām.
- ▶ Izmantojiet individuālos aizsardzības līdzekļus un darba laikā vienmēr valkājiet aizsargbrilles. Individuālo aizsardzības līdzekļu (putekļu aizsargmaskas, neslidošu apavu un aizsargķiveres vai ausu aizsargu) lietošana atbilstoši elektroiekārtas tipam un veicamā darba raksturam ļauj izvairīties no savainojumiem.
- ▶ Nepieļaujiet iekārtas nekontrolētas ieslēgšanās iespēju. Pirms pievienošanas elektrotīklam, akumulatora ievietošanas, elektroiekārtas satveršanas vai pārvietošanas pārliecinieties, ka tā ir izslēgta. Ja iekārtas pārvietošanas laikā pirksts atrodas uz slēdža vai ja ieslēgta iekārta tiek pievienota elektrotīklam, var notikt nelaimes gadījums.
- ▶ Pirms elektroiekārtas ieslēgšanas jānoņem visi regulēšanas piederumi un uzgriežņu atslēgas. Regulēšanas piederumi vai uzgriežņu atslēga, kas iekārtas ieslēgšanas brīdī atrodas iekārtā, var radīt traumas.
- ▶ Izvairieties no nedabiskām pozām. Darba laikā vienmēr saglabājiet līdzsvaru un nodrošinieties pret paslīdēšanu. Tas atvieglos elektroiekārtas vadību neparedzētās situācijās.
- ▶ Izvēlieties darbam piemērotu apģērbu. Darba laikā nenēsājiet brīvi plandošas drēbes un rotaslietas. Netuviniet matus, apģērbu un aizsargcimdus iekārtas kustīgajām daļām. Vaļīgas drēbes, rotaslietas un garī mati var ieķerties iekārtas kustīgajās daļās.
- ▶ Ja elektroiekārtas konstrukcija ļauj pievienot putekļu nosūkšanas vai savākšanas ierīci, sekojiet, lai tā būtu pievienota un tīktu darbināta pareizi. Putekļu nosūcēja lietošana samazina putekļu kaitīgo ietekmi.
- ▶ Nezaudējiet modrību un neatkāpieties no elektroiekārtu lietošanas drošības noteikumu ievērošanas arī tad, ja lietojat attiecīgo elektroiekārtu bieži un kārtīgi to pārzināt. Neuzmanība vienā sekundes daļā var novest pie smagām traumām.

### Elektroiekārtas lietošana un apkope

- ▶ Nepārslogojiet elektroiekārtu. Katram darbam izvēlieties piemērotu iekārtu. Elektroiekārta darbosies labāk un drošāk pie nominālās slodzes.
- ▶ Nelietojiet elektroiekārtu, ja ir bojāts tās slēdzis. Elektroiekārta, ko nevar ieslēgt un izslēgt, ir bīstama un nekavējoties jānodod remontā.
- ▶ Pirms iestatījumu veikšanas, aprikojuma daļu nomaiņas vai iekārtas novietošanas uzglabāšanā atvienojiet kontaktdakšu no elektrotīkla un/vai noņemiet noņemamo akumulatoru. Šādi jūs novērsīsit elektroiekārtas neaušas ieslēgšanās risku.
- ▶ Elektroiekārtu, kas netiek darbināta, uzglabājiet piemērotā vietā. Neļaujiet lietot iekārtu personām, kas nav iepazinušas ar tās funkcijām un izlasījušas šo lietošanas instrukciju. Ja elektroiekārtu lieto nekompetentas personas, tas var apdraudēt cilvēku veselību.
- ▶ Rūpīgi veiciet elektroiekārtu un to piederumu apkopi. Pārbaudiet, vai kustīgās daļas darbojas bez traucējumiem un neķeras un vai kāda no daļām nav salauzta vai bojāta un tādējādi netraucē



elektroiekārtas nevainojamu darbību. Raugieties, lai pirms iekārtas lietošanas tiktu nomainītas vai saremontētas bojātās daļas. Daudzi nelaiemes gadījumi notiek tāpēc, ka elektroiekārtām nav nodrošināta pareiza apkope.

- ▶ **Griezējinstrumentiem jābūt uzasinātiem un tīriem.** Rūpīgi kopti griezējinstrumenti ar asām šķautnēm retāk iestrēgst un ir vieglāk vadāmi.
- ▶ **Lietojiet elektroiekārtu, piederumus, maināmos instrumentus utt. saskaņā ar šiem norādījumiem. Jāņem vērā arī konkrētie darba apstākļi un veicamās operācijas īpatnības.** Elektroiekārtu lietošana citiem mērķiem, nekā to ir paredzējusi ražotājfirma, ir bīstama un var izraisīt neparedzamas sekas.
- ▶ **Raugieties, lai rokturu un satveršanas virsmas būtu sausas, tīras, nenotraiģītas ar eļļu un smērvielām.** Ja rokturu vai satveršanas virsmas ir slidēnas, nav iespējama droša elektroiekārtas vadība un kontrole neparedzamās situācijās.

#### Ar akumulatoru darbināmas iekārtas lietošana un apkope

- ▶ **Akumulatora uzlādei jālieto tikai ražotāja ieteiktie lādētāji.** Noteikta veida akumulatoriem paredzēts lādētājs kļūst ugunsbīstams, ja to izmanto ar cita veida akumulatoriem.
- ▶ **Izmantojiet elektroiekārtas barošanai tikai tai paredzētos akumulatorus.** Cita tipa akumulatoru lietošana var izraisīt iekārtas un/vai akumulatora aizdegšanos.
- ▶ **Laikā, kad akumulators ir atvienots no iekārtas, nepieļaujiet tā kontaktu saskaršanos ar saspraudēm, monētām, atslēgām, naglām, skrūvēm vai citiem nelieliem metāla priekšmetiem, kas varētu izraisīt issavienojumu.** Ja starp akumulatora kontaktiem rodas issavienojums, tas var sadegt vai kļūt par ugunsgrēka cēloni.
- ▶ **Nepareizi lietojot akumulatoru, no tā var izplūst šķidrums. Nepieļaujiet tā nokļūšanu uz ādas. Ja tas tomēr nejausi ir noticis, noskalojiet ar ūdeni. Ja šķidrums iekļūst acīs, izskalojiet acis un nekavējoties vērsieties pie ārsta.** No akumulatora izplūdušais šķidrums var izraisīt ādas kairinājumu vai apdegumus.
- ▶ **Nelietojiet bojātus vai modificētus akumulatorus.** Bojāti vai modificēti akumulatori var radīt neparedzamas situācijas un izraisīt ugunsgrēku, eksploziju vai traumas.
- ▶ **Nepakļaujiet akumulatoru uguns vai augstas temperatūras iedarbībai.** Uguns vai temperatūra virs 130 °C (265 °F) var izraisīt eksploziju.
- ▶ **Ievērojiet norādījumus par akumulatora lādēšanu un nekad nelādējiet akumulatoru vai ar akumulatoru darbināmo iekārtu ārpus lietošanas instrukcijā norādītā temperatūras diapazona.** Nepareiza lādēšana vai pieļaujamā temperatūras diapazona pārsniegšana var sabojāt akumulatoru un palielināt aizdegšanās risku.

#### Serviss

- ▶ **Uzdodiet elektroiekārtas remontu veikt tikai kvalificētam personālam, kas izmanto vienīgi oriģinālās rezerves daļas.** Tikai tā ir iespējams saglabāt iekārtas funkcionālo drošību.
- ▶ **Nekādā gadījumā neveiciet bojātu akumulatoru apkopi.** Jebkādas akumulatoru apkopes darbus drīkst veikt tikai ražotājs vai atbilstīgi pilnvarots klientu apkalpošanas dienests.

## 2.2 Papildu drošības norādījumi par zāģēšanu ar asmens turpgaitas un atpakaļgaitas kustībām

- ▶ **Ja darba laikā pastāv iespēja, ka elektroiekārtā nostiprinātais instruments var nonākt saskarē ar apslēptiem elektriskajiem vadiem, vienmēr satveriet iekārtu aiz izolētajām rokturu virsmām.** Saskaroties ar spriegumam pieslēgtiem vadiem, spriegums tiek novadīts uz iekārtas metāla daļām, radot elektrošoka risku.
- ▶ **Nofiksējiet un nodrošiniet apstrādājamo priekšmetu ar skrūvspīļu palīdzību vai citā veidā uz stabilas pamatnes.** Ja jūs turat apstrādājamo priekšmetu ar roku vai piespiestu ķermenim, tas ir nestabils un var izraisīt kontroles zudumu.

## 2.3 Papildnorādījumi par drošību

- ▶ Lietojiet izstrādājumu un tā papildaprīkojumu tikai tad, ja tas ir nevainojamā tehniskajā stāvoklī.
- ▶ Nekādā gadījumā nemēģiniet ietekmēt izstrādājuma vai tā papildaprīkojuma funkcijas vai to pārveidot.
- ▶ Pirms darba sākšanas pārbaudiet, vai darba zonā neatrodas neseģti elektrības vadi, gāzes vai ūden-sapgādes caurules. Iekārtas ārējās metāla daļas var izraisīt elektriskās strāvas triecienu vai izraisīt eksploziju, ja darba laikā tiek bojāti elektriskie vadi, gāzes vai ūdens caurules.
- ▶ Vienmēr raugieties, lai nebūtu nosprostotas ventilācijas atveres. Ventilācijas atveru nosprostošanās var izraisīt apdegumus!
- ▶ Izstrādājuma lietošanas laikā valkājiet acu aizsarglīdzekļus, dzirdes aizsarglīdzekļus un aizsargcimdus.
- ▶ Valkājiet aizsargbrilles vai masku. Materiāla šķembas var savainot ķermeni un acis.



- ▶ Putekļi, kas rodas slīpēšanas, griešanas un urbšanas laikā, var saturēt bīstamas ķīmikālijas. Daži piemēri: svins vai krāsas uz svina bāzes; ķieģeļi, betons un citi mūra materiāli, dabīgais akmens un citi silīkāts saturoši produkti; noteiktu veidu koksne, piemēram, skābardis, ozols un ķīmiska apstrādāta koksne; azbests vai azbestu saturoši materiāli. Nosakiet ekspozīcijas līmeni, kam pakļauts iekārtas lietotājs un tuvumā esošās personas, vadoties pēc apstrādājamo materiālu bīstamības kategorijas. Veiciet nepieciešamos pasākumus, lai ekspozīcija nesasniegtu kaitīgu līmeni, piemēram, lietojiet putekļu nosūkšanas sistēmu vai piemērotus elpceļu aizsardzības līdzekļus. Vispārīgie ekspozīcijas ierobežošanas pasākumi ir šādi:
  - ▶ darbs labi vēdināmās vietās,
  - ▶ izvairīšanās no ilgstošas saskares ar putekļiem,
  - ▶ putekļu novirzīšana projām no sejas un ķermeņa,
  - ▶ aizsargapģērba valkāšana un savārtītā apģērba mazgāšana ar ūdeni un ziepēm.
- ▶ Traumu risks, ko rada krītoši instrumenti un/vai piederumi. Pirms darba sākšanas pārbaudiet, vai akumulators un uzmontētais papildaprīkojums ir kārtīgi nofiksēti.
- ▶ Ieslēdziet izstrādājumu tikai tad, kad tas ir novietots darba pozīcijā.
- ▶ Vienmēr satveriet izstrādājumu aiz šim nolūkam paredzētajiem rokturiem. Raugieties, lai rokturi vienmēr būtu sausi un tīri.
- ▶ Biežāk pārtrauciet darbu un izpildiet pirkstu vingrinājumus, kas uzlabo asinsriti. Ilgstoša darba gadījumā spēcīga vibrācija var radīt traucējumus pirkstu, roku vai plaukstu locītavu asinsvadu un nervu sistēmas funkcijās.
- ▶ Neskatieties tieši apgaismojumā (LED) un nevērsiet to pret citu cilvēku seju. Pastāv apžilbināšanas risks!
- ▶ Pirms novietot izstrādājumu, nogaidiet, līdz pilnībā apstājas tā kustība.
- ▶ Darba instrumenta nomaiņas laikā valkājiet aizsargcimdus. Saskare ar darba instrumentu var izraisīt grieztas traumas un apdegumus!

#### Īpaši drošības norādījumi par figūrzāgu lietošanu

- ▶ Zāģēšanas laikā vienmēr virziet iekārtu prom no sava ķermeņa.
- ▶ Nekādā gadījumā neturiet rokas priekšā zāga asmenim vai pie tā.
- ▶ Neveiciet zāģējumus nezināmās virsmās un nodrošiniet, lai zāģējuma trajektorijā ne augšpusē, ne apakšpusē neatrastos nekādi šķēršļi.
- ▶ Zāģēšanas laikā nesatveriet apstrādājamo priekšmetu no apakšas.

#### 2.4 Akumulatoru pareiza lietošana un apkope

- ▶ **Ievērojiet turpmāk izklāstītos drošības norādījumus, lai litija jonu akumulatoru lietošana neradītu apdraudējumu.** Norādījumu neievērošana var izraisīt ādas kairinājumu, smagas korozīvas traumas, ķīmiskos apdegumus, ugunsgrēku vai eksploziju.
- ▶ Lietojiet akumulatorus tikai tad, ja tie ir nevaicījamā tehniskajā stāvoklī.
- ▶ Rīkojieties ar akumulatoriem uzmanīgi, lai pasargātu tos no bojājumiem un nepieļautu veselībai ļoti kaitīgu šķidrums izplūdi!
- ▶ Nekādā gadījumā nedrīkst veikt akumulatoru pārveidi vai citas neatļautas manipulācijas!
- ▶ Akumulatorus nedrīkst izjaukt, saspiest, sakarsēt virs 80 °C (176 °F) vai sadedzināt.
- ▶ Nelietojiet un nemēģiniet uzlādēt akumulatorus, kas bijuši pakļauti triecieniem vai ir bojāti citā veidā. Regulāri pārbaudiet, vai akumulatoriem nav konstatējamas bojājumu pazīmes.
- ▶ Nekādā gadījumā nelietojiet atjaunotus vai remontētus akumulatorus.
- ▶ Nekādā gadījumā nelietojiet akumulatoru vai ar akumulatoru darbināmu elektroiekārtu kā instrumentu sišanai.
- ▶ Nekādā gadījumā nepakļaujiet akumulatorus tiešiem saules stariem, augstai temperatūrai, dzirkstelēm vai atklātai liesmai. Tas var izraisīt eksploziju.
- ▶ Nepieskarieties bateriju poliem ar pirkstiem vai instrumentiem un nepieļaujiet, ka tie nonāk saskarē ar rotaslietām vai citiem priekšmetiem, kam piemīt elektriskā vadītspēja. Tas var izraisīt akumulatoru bojājumus, kā arī materiālu kaitējumu un traumas.
- ▶ Sargājiet akumulatorus no lietus un mitruma un šķidrumiem. Mitruma iekļūšana var izraisīt īssavienojumu, elektrisko triecienu, apdegumus, ugunsgrēku un eksploziju.
- ▶ Lietojiet kopā ar akumulatoru tikai tā tipam paredzētos lādētājus un elektroiekārtas. Ievērojiet attiecīgo lietošanas instrukciju norādījumus.
- ▶ Nelietojiet un neuzglabājiet akumulatoru sprādzienbīstamā vidē.



- ▶ Ja akumulators kļūst pārāk karsts, iespējams, ka tas ir bojāts. Novietojiet akumulatoru labi pārredzamā, ugunsdrošā vietā, pietiekamā atstatumā no degošiem materiāliem. Ļaujiet akumulatoram atdzist. Ja pēc stundas akumulatoris joprojām ir tik karsts, ka to ir grūti satvert, tas nozīmē, ka tas ir bojāts. Vērsieties servissā **Hilti** vai izlasiet dokumentu "Norādījumi par **Hilti** litija jonu akumulatoru drošību un lietošanu".

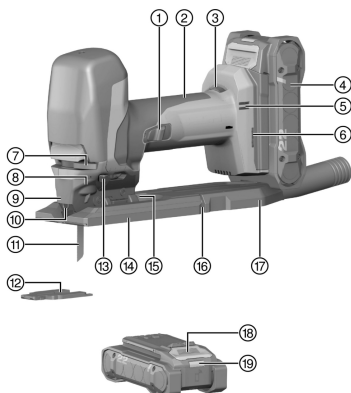


Ievērojiet īpašos norādījumus, kas attiecas uz litija jonu akumulatoru transportēšanu, uzglabāšanu un lietošanu. 39

Izlasiet Norādījumus par **Hilti** litija jonu akumulatoru drošību un lietošanu, kas ir pieejami, noskenējot QR kodu šīs lietošanas instrukcijas beigās.

### 3 Apraksts

#### 3.1 Izstrādājuma pārskats



- ① Ieslēgšanas un izslēgšanas slēdzis
- ② Rokturis
- ③ Gājienu skaita regulators
- ④ Akumulators
- ⑤ Ventilācijas atveres
- ⑥ Atvere papildaprīkojuma montāžai
- ⑦ Svira zāģa asmens atbrīvošanai
- ⑧ Instrumenta stiprinājums
- ⑨ Pārsegs
- ⑩ Pretsaskares aizsargs
- ⑪ Zāģa asmens
- ⑫ Skaidu noplēšanas aizsargs
- ⑬ Svira svārsta gājienu iestatīšanai
- ⑭ Pamatplāksne
- ⑮ Zāģējuma leņķa iestatīšanas skala
- ⑯ Fiksācijas āķis
- ⑰ Nosūcēja adapters
- ⑱ Akumulatora atbloķēšanas taustiņš
- ⑲ Akumulatora statusa indikācija

#### 3.2 Nosacījumiem atbilstīga lietošana

Aprakstītais izstrādājums ir ar manuāli vadāms, ar akumulatoru darbināms svārstzāģis. Tas ir paredzēts plastmasas, koka un metāla materiālu, kā arī ģipša un šķiedras plāksņu zāģēšanai.

Izstrādājums ir aprīkots ar noņemamu pieslēguma tsaucuruli, kas paredzēta papildu putekļsūcēja / nosūkšanas iekārtas pievienošanai, izmantojot standarta nosūkšanas šļūtenes. Nosūcēja šļūtenes savienošanai ar izstrādājumu var būt nepieciešams atbilstīgs adapters.

- Lietojiet kopā ar šo izstrādājumu tikai sērijas B 22 **Hilti** litija jonu akumulatorus Nuron. Lai nodrošinātu optimālu darbības efektivitāti, **Hilti** iesaka kopā ar šo izstrādājumu lietot šīs lietošanas instrukcijas beigās iekļautajā tabulā norādītos akumulatorus.
- Lietojiet šo akumulatoru uzlādēšanai tikai šīs lietošanas instrukcijas beigās iekļautajā tabulā norādīto sēriju **Hilti** lādētājus.
- Lietojiet kopā ar šo izstrādājumu tikai zāģa asmeņus ar T veida kātu (kātu ar vienu izcilni).

#### 3.3 Varbūtējā nepareizā lietošana

- Šo izstrādājumu nedrīkst lietot koku zaru un stumbru zāģēšanai.
- Šo izstrādājumu nedrīkst lietot veselībai kaitīgu materiālu apstrādei.
- Ar šo izstrādājumu nedrīkst strādāt slapjā un mitrā vidē.

#### 3.4 Litija jonu akumulatora indikācija

**Hilti** litija jonu akumulatoru Nuron indikācija var informēt par akumulatora uzlādes līmeni, kļūmēm un stāvokli.



### 3.4.1 Uzlādes līmeņa indikācija un kļūmes paziņojumi

#### BRĪDINĀJUMS!

#### Traumu risks akumulatora nokrišanas gadījumā!

- Ja akumulators ir ievietots un tiek nospiests atbloķēšanas taustiņš, nodrošiniet, lai akumulators atkal tiktu kārtīgi nofiksēts izstrādājumā.

Lai redzētu kādu no turpmāk aprakstītajām indikācijas veidiem, īsi nospiediet akumulatora atbloķēšanas taustiņu.

Uzlādes līmeņa un varbūtejo traucējumu indikācija ir redzama arī pastāvīgi, kamēr izstrādājums ir ieslēgts.

Stass	Nozīme
Četras (4) LED konstanti deg zaļā krāsā	Uzlādes līmenis: no 100 % līdz 71 %
Trīs (3) LED konstanti deg zaļā krāsā	Uzlādes līmenis: no 70 % līdz 51 %
Divas (2) LED konstanti deg zaļā krāsā	Uzlādes līmenis: no 50 % līdz 26 %
(1) LED konstanti deg zaļā krāsā	Uzlādes līmenis: no 25 % līdz 10 %
Viena (1) LED lēni mirgo zaļā krāsā	Uzlādes līmenis: < 10 %
(1) LED ātri mirgo zaļā krāsā	Litija jonu akumulators ir pilnībā izlādējies. Uzlādējiet akumulatoru. Ja LED pēc akumulatora uzlādes joprojām ātri mirgo, vērsieties <b>Hilti</b> servisā.
(1) LED ātri mirgo dzeltenā krāsā	Litija jonu akumulators vai tam pievienotais izstrādājums ir pārslēgots, pārāk karsts vai pārāk auksts vai ir radusies cita kļūme. Nodrošiniet, lai izstrādājums vai akumulators būtu ieteicamajā darba temperatūrā, un lietojiet izstrādājumu tā, lai tas netiktu pārslēgots. Ja indikācija nepazūd, vērsieties <b>Hilti</b> servisā.
Viena (1) LED konstanti deg dzeltenā krāsā	Litija jonu akumulators un ar to savienotais izstrādājums nav savā starpā saderīgi. Lūdzu, vērsieties <b>Hilti</b> servisā.
(1) LED ātri mirgo sarkanā krāsā	Litija jonu akumulators ir bloķēts un nav lietojams. Lūdzu, vērsieties <b>Hilti</b> servisā.

### 3.4.2 Akumulatora stāvokļa indikācijas

Lai apskatītu akumulatora stāvokļa indikāciju, turiet atbloķēšanas taustiņu nospiestu ilgāk nekā trīs sekundes. Sistēma konstatē, ka potenciālu baterijas kļūmi, ko var izraisīt neatbilstīga apiešanās, piemēram, kritiens, saduršana, ārēja karstuma iedarbība utt.

Stass	Nozīme
Visas LED deg kā skrejošā gaisma, pēc tam viena (1) LED konstanti deg zaļā krāsā.	Akumulatoru var turpināt lietot.
Visas LED deg kā skrejošā gaisma, pēc tam viena (1) LED konstanti deg dzeltenā krāsā.	Akumulatora stāvokļa informācijas nolasīšanu neizdevās pabeigt. Atkārtojiet procesu vai vērsieties <b>Hilti</b> servisā.
Visas LED deg kā skrejošā gaisma, pēc tam viena (1) LED konstanti deg sarkanā krāsā.	Ja pievienoto izstrādājumu var turpināt lietot, atlikusi akumulatora kapacitāte ir mazāka nekā 50 %. Ja pievienoto izstrādājumu vairs nevar lietot, akumulators ir savu laiku nokalpojis un jānomaina pret citu. Lūdzu, vērsieties <b>Hilti</b> servisā.

### 3.5 Skaidu nopūšanas ierīce

Skaidu nopūšanas ierīce pievada zāģa asmenim gaisa plūsmu, lai atbrīvotu zāģējuma vietu no skaidām.

### 3.6 Gājienu skaits

Gājienu skaitu iespējams iestatīt ar regulatora palīdzību. Pozīcija 1 atbilst 800 gājienu minūtē, un pozīcija 6 atbilst 3000 gājienu minūtē.



### 3.7 4 pakāpju svārstības

4 iestatāmas svārstību pakāpes ļauj pielāgot zāģēšanas jaudu un zāģējuma formu apstrādājamajam materiālam. Ar svārsta gājienu iestatīšanas sviru var iestatīt 4 pakāpes.

Jo tīrākai un smalkākai jābūt zāģējuma malai, jo mazākai jābūt iestatītajai svārstību pakāpei. Optimālais iestatījums tiek noskaidrots, veicot praktiskus izmēģinājumus.

Stass	Nozīme
Pakāpe 0	Nav svārstību kustības
Pakāpe 1	Neliela svārstību kustība
Pakāpe 2	Vidēja svārstību kustība
Pakāpe 3	Liela svārstību kustība

### 3.8 Skaidu noplēšanas aizsargs

Izstrādājumu var aprīkot ar skaidu noplēšanas aizsargu.

Skaidu noplēšanas aizsargs novērš virsmas plēšanu, zāģējot kokmateriālus.

### 3.9 Izstrādājuma automātiskā izslēgšanās

Ja ieslēgšanas / izslēgšanas slēdzis ir nospiests ilgāk nekā 15 minūtes (piemēram, transportēšanas vai uzglabāšanas laikā), izstrādājums automātiski izslēdzas. Tādējādi tiek novērsta akumulatora izlādēšanās.

### 3.10 Piegādes komplektācija

Figūrziņš ar zāģa asmeni, pārsegs, nosūcēja adapters, skaidu noplēšanas aizsargs, lietošanas instrukcija, iekšējā sešstūra atslēga.

Citus šim izstrādājumam izmantojamus sistēmas produktus meklējiet **Hilti Store** vai tīmekļvietnē [www.hilti.group](http://www.hilti.group)

## 4 Tehniskie parametri

### 4.1 Manuāls svārstzāģis

	SJT 6-22
Izstrādājuma paaudze	02
Nominālais spriegums	21,6 V
Svars atbilstīgi EPTA Procedure 01 bez akumulatora	2,1 kg
Gājienu augstums	28 mm
Gājienu skaits tukšgaitā (n <sub>0</sub> )	800 apgr./min ... 3 000 apgr./min
Maksimālā jauda, zāģējot koku	150 mm
Maksimālā jauda, zāģējot alumīniju	25 mm
Maksimālā jauda, zāģējot nelegētu tēraudu	10 mm
Zāģējuma leņķis (kreisais / labais)	0° ... 45°
Nosūcēja adaptera ārējais diametrs	27,5 mm
Uzglabāšanas temperatūra	-20 °C ... 70 °C
Apkārtējā temperatūra darbības laikā	-17 °C ... 60 °C

### 4.2 Informācija par troksni un svārstībām

Šajās instrukcijās norādītie lielumi, kas raksturo skaņas spiedienu un vibrāciju, ir noteikti ar standartizētas mērījumu metodes palīdzību, un tos var izmantot elektroiekārtu savstarpējai salīdzināšanai. Tos var izmantot arī trokšņa un vibrācijas iedarbības pagaidu novērtējumam.

Norādītie parametri attiecas uz elektroiekārtas galvenajiem lietošanas veidiem. Taču, ja elektroiekārta tiek izmantota citos nolūkos, ar citiem maināmajiem instrumentiem vai netiek nodrošināta pietiekama tās apkope, parametri var atšķirties no norādītajiem. Tas var ievērojami palielināt trokšņa un vibrācijas iedarbību visā darba laikā.





Lai precīzi novērtētu iedarbību, jāņem vērā arī laiks, cik ilgi elektroiekārta ir izslēgta vai ir ieslēgta, taču faktiski netiek darbināta. Tas var būtiski samazināt iedarbību kopējā darba laikā.

Jāparedz papildu drošības pasākumi, lai aizsargātu iekārtas lietotāju pret trokšņa un/vai vibrācijas iedarbību, piemēram, elektroiekārtas un apkope, roku turēšana siltumā, darba procesu organizācija.



Sīkāka informācija par šeit piemērotajām **EN 62841** standartu versijām var atrast Atbilstības deklarācijas attēlā 250.

### Skaņas emisijas rādītāji

	<b>SJT 6-22</b>
<b>Skaņas jaudas līmenis (<math>L_{WA}</math>)</b>	99 dB(A)
<b>Skaņas jaudas līmeņa pielaipe (<math>K_{WA}</math>)</b>	5 dB(A)
<b>Skaņas spiediena līmenis (<math>L_{pA}</math>)</b>	91 dB(A)
<b>Skaņas spiediena līmeņa pielaipe (<math>K_{pA}</math>)</b>	5 dB(A)

### Kopējie vibrācijas rādītāji

		<b>SJT 6-22</b>
<b>Svārstību emisija, zāģējot skaidu plāksnes (<math>a_{h,B}</math>)</b>	<b>B 22-55</b>	5,2 m/s <sup>2</sup>
	<b>B 22-255</b>	5,3 m/s <sup>2</sup>
<b>Svārstību emisija skārda zāģēšanas laikā (<math>a_{h,M}</math>)</b>	<b>B 22-55</b>	8,5 m/s <sup>2</sup>
	<b>B 22-255</b>	7,2 m/s <sup>2</sup>
<b>Iespējamā kļūda (K)</b>		1,5 m/s <sup>2</sup>

### 4.3 Akumulators

<b>Akumulatora darba spriegums</b>	21,6 V
<b>Akumulatora svars</b>	Skat. šīs lietošanas instrukcijas beigās
<b>Apkārtējā temperatūra darbības laikā</b>	-17 °C ... 60 °C
<b>Uzglabāšanas temperatūra</b>	-20 °C ... 40 °C
<b>Akumulatora temperatūra uzlādes sākumā</b>	-10 °C ... 45 °C

## 5 Sagatavošanās darbam



### BRĪDINĀJUMS!

**Traumu risks nejaušas iedarbošanās gadījumā!**

- ▶ Pirms akumulatora ievietošanas pārliecinieties, ka attiecīgais izstrādājums ir izslēgts.
- ▶ Pirms iekārtas iestāšanās vai piederumu maiņas izņemiet no iekārtas akumulatoru.

Ievērojiet drošības norādījumus un brīdinājumus, kas atrodami šajā dokumentācijā un uz izstrādājuma.

### 5.1 Akumulatora uzlādēšana

1. Pirms uzlādes sākšanas izlasiet lādētāja lietošanas instrukciju.
2. Raugieties, lai akumulatora un lādētāja kontaktu virsmas ir tīras un sausas.
3. Veiciet akumulatora uzlādi atbilstīgā lādētājā. 32

### 5.2 Akumulatora ievietošana



### BRĪDINĀJUMS!

**Traumu risks īssavienojuma vai akumulatora nokrišanas gadījumā!**

- ▶ Pirms akumulatora ievietošanas pārliecinieties, ka uz akumulatora un izstrādājuma kontaktiem neatrodas nekādi svešķermeņi.
- ▶ Pārbaudiet, vai akumulators ir droši nofiksēts.

1. Pirms pirmās lietošanas pilnībā uzlādējiet akumulatoru.



2. Iebīdīet akumulatoru izstrādājumā, līdz tas dzirdami nofiksējas.
3. Pārbaudiet, vai akumulators ir droši nofiksēts.

### 5.3 Akumulatora izņemšana

1. Nospiediet akumulatora atbloķēšanas taustiņu.
2. Izvelciet akumulatoru no iekārtas.


### 5.4 Zāģa asmens ievietošana 2

1. Iespiediet zāģa asmeni (ar zobiem griešanas virzienā) instrumenta stiprinājuma mehānismā, līdz tas nofiksējas.
2. Pavelkot zāģa asmeni, pārbaudiet, vai tas ir droši nofiksēts.

### 5.5 Pārsega uzlikšana 3

- ▶ No priekšpusē uzbīdīet pārsegu uz iekārtas, līdz tas nofiksējas.



Pārsegu iespējams uzlikt tikai tad, ja pamatplāksne atrodas normālā pozīcijā (zāģējuma leņķa 0° pozīcijā).  37


### 5.6 Nosūcēja adaptera montāža 4

1. No aizmugures horizontāli iebīdīet nosūcēja adapteru pamatplāksnē, līdz nofiksējas abi sānos novietotie fiksācijas āķi.
2. Pievienojiet putekļu nosūkšanas šļūteni pie nosūcēja adaptera.

### 5.7 Skaidu noplēšanas aizsarga montāža 5

- ▶ No apakšas iespiediet skaidu noplēšanas aizsargu pamatplāksnē.



Skaidu noplēšanas aizsargu var lietot tikai kopā ar tam paredzētajiem zāģa asmeņiem. Skaidu noplēšanas aizsargu var izmantot tikai tad, ja pamatplāksne atrodas normālā pozīcijā (zāģējuma leņķa 0° pozīcijā).  37

### 5.8 Nodrošinājums pret kritienu



#### BRĪDINĀJUMS!

**Traumu risks** instrumenta un/vai papildaprīkojuma nokrišanas gadījumā!

- ▶ Lietojiet tikai jūsu izstrādājumam ieteikto **Hilti** instrumentu drošības virvi.
- ▶ Pirms katras lietošanas pārbaudiet, vai nav bojāts instrumentu drošības virves stiprinājuma punkts.
- ▶ Nenostipriniet instrumentu drošības virves pie jostas āķa. Nelietojiet jostas āķi izstrādājuma pacelšanai.



Ievērojiet jūsu valstī spēkā esošos noteikumus par darbu augstumā.

Aizsardzībai pret kritieniem lietojiet kopā ar šo izstrādājumu tikai **Hilti** pretnokrišanas aprīkojumu apvienojumā ar **Hilti** instrumentu drošības virvi #2261970.

- ▶ Nostipriniet pretnokrišanas aprīkojumu papildaprīkojumam paredzētajās montāžas atverēs. Pārbaudiet, vai fiksācija ir droša.
- ▶ Nostipriniet vienu instrumentu drošības virves karabīnes āķi pie pretnokrišanas aprīkojuma un otru karabīnes āķi – pie nesošas konstrukcijas. Pārbaudiet, vai abi karabīnes āķi ir nofiksēti droši.



Ievērojiet **Hilti** pretnokrišanas aprīkojuma un **Hilti** instrumentu drošības virves lietošanas instrukcijas.

## 6 Lietošana

Ievērojiet drošības norādījumus un brīdinājumus, kas atrodami šajā dokumentācijā un uz izstrādājuma.



## 6.1 Lietojiet putekļu nosūcšanu

Putekļu nosūcšana samazina putekļu ietekmi, palielina darba drošību, radot labāku zāģējuma vietas pārskatāmību, un novērš darba vietas piesārņojumu ar putekļiem un skaidām.

1. Uzlieciet pārsegu. 36
2. Vienmēr lietojiet putekļu nosūcšanu, ja jūs ilgstoši apstrādājat koku vai citus materiālus, kuru apstrāde var izraisīt palielinātu putekļu koncentrāciju.

## 6.2 Zāģēšanas leņķa iestatīšana

1. Demontējiet nosūcēja adapteru. 37
2. Atbrīvojiet skrūvi pie pamatplāksnes.
3. Iestatiet nepieciešamo zāģējuma leņķi (no 0° līdz 45° abos virzienos).
  - ▶ Kad zāģēšanas leņķis ir 0°, pamatplāksne atrodas tādā pozīcijā, kas nepieļauj tās pagriešanos. Lai varētu iestatīt zāģēšanas leņķi, vispirms jāpavelk pamatplāksne uz aizmuguri.
  - ▶ Ja pamatplāksne tiek iestatīta atpakaļ uz zāģēšanas leņķi 0°, pēc tam atkal pabīdiet pamatplāksni uz priekšu, lai nofiksētu to pozīcijā, kurā tā nevar pagriezties.
4. Pievelciet skrūvi.
  - ▶ Pamatplāksne ir nofiksēta.

## 6.3 Ieslēgšana

Drošības funkcija nepieļauj izstrādājuma iedarbošanos gadījumā, ja vispirms tiek ieslēgts izstrādājums un tikai pēc tam ievietots akumulators.

Pabīdiet ieslēgšanas / izslēgšanas slēdzi uz aizmuguri un pēc tam vēlreiz uz priekšu.

- ▶ Pabīdiet ieslēgšanas / izslēgšanas slēdzi uz priekšu.

## 6.4 Iegremdētie zāģējumi

1. Pārvietojiet svārsta gājiena iestatīšanas sviru pozīcijā 0.
2. Novietojiet iekārtu ar pamatplāksnes priekšējo malu uz apstrādājamā priekšmeta.
3. Stingri turiet iekārtu un nospiediet izslēgšanas / ieslēgšanas slēdzi.
4. Stingri piespiediet iekārtu pie apstrādājamā priekšmeta un iegremdējiet zāģi, samazinot pielikšanas leņķi.
5. Kad asmens ir izdurts cauri zāģējamajam priekšmetam, novietojiet iekārtu normālā darba pozīcijā.
  - ▶ Pamatplāksne piekļaujas visā virsmas laukumā.
6. Turpiniet zāģēšanu gar zāģējuma līniju.

## 6.5 Izslēgšana

- ▶ Pabīdiet ieslēgšanas / izslēgšanas slēdzi uz aizmuguri.

## 7 Demontāža

### 7.1 Nosūcēja adaptera demontāža

1. Iespiediet abus fiksācijas āķus uz iekšpusi.
2. Pavelkot uz aizmuguri, noņemiet nosūcēja adapteru no pamatplāksnes.
3. Pavelkot putekļu nosūcēja šļūteni, noņemiet to no nosūcēja adaptera

### 7.2 Pārsega noņemšana

- ▶ Viegli sasveriet pārsegu uz sāniem un noņemiet to, pavelkot virzienā uz priekšu.



### 7.3 Zāga asmens atbrīvošana

#### BRĪDINĀJUMS!

**Traumu risks.** Zāga asmens nekontrolēta atbrīvošanās var izraisīt traumas.

- ▶ Zāga asmens atbrīvošanas laikā turiet iekārtu tā, lai no iekārtas izvīstais zāga asmens neapdraudētu cilvēkus vai dzīvniekus.
- ▶ Līdz galam atvāziet zāga asmens atbrīvošanas sviru uz sāniem.
  - ▶ Zāga asmens tiek atbrīvots un izkrīt.

## 8 Apkope un uzturēšana

#### BRĪDINĀJUMS!

**Traumu risks ievietota akumulatora gadījumā !**

- ▶ Pirms jebkādiem apkopes un tehniskā stāvokļa uzturēšanas darbiem vienmēr izņemiet akumulatoru!

#### Izstrādājuma kopšana

- Uzmanīgi notīriet pielipušos netīrumus.
- Ja izstrādājumam ir ventilācijas atveres, uzmanīgi iztīriet tās ar sausu, mīkstu birstīti.
- Notīriet korpusa virsmas tikai ar nedaudz samitrinātu drāniņu. Nelietojiet silikonu saturošus kopšanas līdzekļus, jo tie var sabojāt plastmasas daļas.
- Izstrādājuma kontaktu tīrīšanai lietojiet tīru un sausu drāniņu.

#### Litija jonu akumulatoru apkope

- Nekādā gadījumā nelietojiet akumulatoru ar nosprostotām ventilācijas atverēm. Uzmanīgi iztīriet ventilācijas atveres ar sausu, mīkstu birstīti.
- Nepakļaujiet akumulatoru nevajadzīgi putekļiem vai netīrumu ietekmei. Nekādā gadījumā nepakļaujiet akumulatoru spēcīgam mitrumam (piemēram, nemērciet to ūdenī un neatstājiet lietū).  
Ja akumulators ir samircis, rīkojieties ar to tāpat, kā jūs rīkotos ar bojātu akumulatoru. Ievietojiet to izolētā nedegošā materiāla tvertnē un vērsieties **Hilti** servisā.
- Raugieties, lai akumulators nebūtu savārtīts ar nepiederīgu eļļu un smērvielām. Raugieties, lai uz akumulatora nevajadzīgi neuzkrātos putekļi un netīrumi. Notīriet akumulatoru ar sausu, mīkstu birstīti vai tīru un sausu drāniņu. Nelietojiet silikonu saturošus kopšanas līdzekļus, jo tie var sabojāt plastmasas daļas.  
Nepieskarieties akumulatora kontaktiem un neattīriet kontaktus no rūpnīcā uzklātās smērvielas.
- Notīriet korpusa virsmas tikai ar nedaudz samitrinātu drāniņu. Nelietojiet silikonu saturošus kopšanas līdzekļus, jo tie var sabojāt plastmasas daļas.



#### Uzturēšana

- Regulāri pārbaudiet visas redzamās daļas, lai pārliecinātos, ka tās nav bojātas un funkcionē nevainojami.
- Nelietojiet izstrādājumu, ja tam ir radušies bojājumi un/vai funkciju traucējumi. Nekavējoties nododiet izstrādājumu **Hilti** servisā remonta veikšanai.
- Pēc apkopes un remonta darbiem piemontējiet vietā visas aizsargierīces un pārbaudiet, vai tās darbojas nevainojami.



Lai izstrādājuma lietošana būtu droša, izmantojiet tikai oriģinālās rezerves daļas un patēriņa materiālus. Rezerves daļas, patēriņa materiālus un piederumus, kuru lietošanu kopā ar šo izstrādājumu akceptē **Hilti**, var atrast **Hilti Store** vai tīmekļvietnē: [www.hilti.group](http://www.hilti.group)

### 8.1 Nosūcēja adaptera tīrīšana

1. Demontējiet nosūcēja adapteru.  37
2. Iztīriet nosūcēja adapteru.
3. Pārbaudiet, vai nav bojāti fiksācijas āķi.
4. Piemontējiet nosūcēja adapteru.  36

### 8.2 Zāga asmeņu tīrīšana

1. Regulāri attīriet izmantotos zāga asmeņus no sveķiem.
2. Uz 24 stundām ievietojiet zāga asmeņus petrolejā vai veikalā nopērkamā sveķu šķīdinātājā.



## 9 Iekārtu un akumulatoru transportēšana un uzglabāšana

### Transportēšana

#### IEVĒROT PIESARDZĪBU!

#### Nekontrolēta iedarbošanās transportēšanas laikā !

- ▶ Pirms iekārtu transportēšanas vienmēr izņemiet no tām akumulatorus!
- ▶ Izņemiet akumulatoru / akumulatorus.
- ▶ Nekādā gadījumā netransportējiet akumulatorus nenostiprinātā veidā, sabērtus kaudzē. Transportēšanas laikā akumulatori jāsaģē no triecieniem un vibrācijas, kā arī jāizolē no jebkādiem materiāliem, kam piemīt elektriskā vadītspēja, un citiem akumulatoriem, lai nepieļautu to nonākšanu saskarē ar citu bateriju kontaktiem un īssavienojuma rašanos. **Ievērojiet vietējos noteikumus par akumulatoru transportēšanu.**
- ▶ Akumulatorus nedrīkst sūtīt pa pastu. Ja vēlaties nosūtīt nebojātus akumulatorus, vērsieties sūtījumu piegādes uzņēmumā.
- ▶ Pirms katras lietošanas, kā arī pēc ilgākas transportēšanas pārbaudiet, vai izstrādājums un akumulatori nav bojāti.

### Uzglabāšana

#### BRĪDINĀJUMS!

#### Neparedzami bojājumi bojātu vai izplūdušu akumulatoru dēļ !

- ▶ Pirms iekārtu novietošanas glabāšanā vienmēr izņemiet no tām akumulatorus!
- ▶ Glabājiet izstrādājumu un akumulatoru vēsā un sausā vietā. Ievērojiet temperatūras robežvērtības, kas norādītas tehnisko parametru sadaļā.
- ▶ Neglabājiet akumulatorus uz lādētāja. Pēc uzlādes procesa vienmēr noņemiet akumulatoru no lādētāja.
- ▶ Nekad neglabājiet akumulatorus saulē, uz siltuma avotiem vai aiz stikla.
- ▶ Glabājiet izstrādājumu un akumulatorus tā, lai tiem nevarētu piekļūt bērni un nepiederošas personas.
- ▶ Pirms katras lietošanas, kā arī pēc ilgākas uzglabāšanas pārbaudiet, vai izstrādājums un akumulatori nav bojāti.

## 10 Traucējumu novēršana

Jebkādu traucējumu gadījumā pievērsiet uzmanību akumulatora uzlādes līmeņa un traucējumu indikācijai. Skat. nodaļu **Litija jonu akumulatora indikācija**.

Ja izstrādājuma darbībā radušies traucējumi, kas nav uzskaitīti šajā tabulā vai ko jums neizdodas novērst saviem spēkiem, lūdzu, meklējiet palīdzību mūsu **Hilti** servisā.

Traucējums	Iespējamais iemesls	Risinājums
Izkrīt zāģa asmens.	Zāģa asmens nav kārtīgi nofiksēts.	<ul style="list-style-type: none"> <li>▶ Atkārtojiet nofiksēšanas procesu.</li> <li>▶ Raugieties, lai instrumenta stiprinājuma mehānisms būtu pilnībā atvērts un zāģa asmens tiktu iespiests, pārvarot pretestību.</li> </ul>
	Netīra fiksācijas sistēma.	▶ Izīriet instrumenta stiprinājumu.
Nevar ievietot zāģa asmeni.	Netīra fiksācijas sistēma.	▶ Izīriet instrumenta stiprinājumu.
Nav iespējams iestatīt svārsta gājienu.	Svārsta gājienu sviras rievā ir netīrumi.	▶ Atbrīvojiet svārsta gājienu sviras rievu no netīrumiem.
Nedarbojas svārsta kustība.	Svārsta mehānisms ir netīrs.	▶ Pārbaudiet, vai svārsta dakšas zonā neatrodas netīrumi, un, ja nepieciešams, veiciet tīrīšanu.
	Svārsta gājienu svira atrodas pozīcijā "0".	▶ Iestatiet nepieciešamo lielumu.
Akumulators izlādējas ātrāk nekā parasti.	Ļoti zema apkārtējā temperatūra.	▶ Ļaujiet akumulatoram pamazām sasilt līdz istabas temperatūrai.
Akumulators nenofiksējas ar sadzirdamu klikšķi.	Netīrs akumulatora fiksācijas izcilnis.	▶ Notīriet fiksācijas izcilni un nofiksējiet akumulatoru vēlreiz.



Trucējums	Iespējamais iemesls	Risinājums
Iekārta vai akumulators spēcīgi sakarst.	Elektrisks defekts.	► Nekavējoties izslēdziet izstrādājumu, izņemiet no tā akumulatoru, vērojiet to, ļaujiet tam atdzist un vērsieties <b>Hilti</b> servisā.
Akumulatora LED indikācijas nav.	Akumulators ir bojāts	► Vērsieties <b>Hilti</b> servisā.

## 11 Nokalpojušo iekārtu utilizācija

### BRĪDINĀJUMS!

**Traumu risks neatbilstīgas utilizācijas gadījumā!** Veselības apdraudējums, izplūstot kaitīgām gāzēm un šķidrumiem.

- Bojātus akumulatorus nav atļauts nosūtīt!
- Lai nepieļautu īssavienojumus, nosedziet pieslēguma kontaktus ar materiālu, kam nepiemīt elektriskā vadītspēja.
- Utilizējiet akumulatorus tā, lai tiem nevarētu piekļūt bērni.
- Nododiet akumulatoru utilizācijai jūs apkalpojošajā **Hilti Store** vai vērsieties pie kompetentā atkritumu apsaimniekošanas uzņēmuma.

**Hilti** izstrādājumu izgatavošanā tiek izmantoti galvenokārt otrreiz pārstrādājami materiāli. Priekšnosacījums otrreizējai pārstrādei ir atbilstoša materiālu šķirošana. Daudzās valstīs **Hilti** pieņem nolietotās iekārtas otrreizējai pārstrādei. Lai saņemtu vairāk informācijas, vērsieties **Hilti** servisā vai pie sava pārdošanas konsultanta.



- Neizmetiet elektroiekārtas, elektroniskas ierīces un akumulatorus sadzīves atkritumos!

## 12 Ražotāja garantija

- Ar jautājumiem par garantijas nosacījumiem, lūdzu, vērsieties pie vietējā **Hilti** partnera.

## 13 Papildinformācija

Papildinformācija par lietošanu, tehniku, vides aizsardzību un materiālu otrreizējo pārstrādi ir pieejama, izmantojot šādu saiti: [qr.hilti.com/manual/?id=2264217&id=2264218](http://qr.hilti.com/manual/?id=2264217&id=2264218)

Šī saite QR koda veidā ir iekļauta arī dokumentācijas beigās.



## Originali naudojimo instrukcija

### 1 Informacija apie naudojimo instrukciją

#### 1.1 Apie šią naudojimo instrukciją

- **Išpėjimas!** Prieš pradėdami naudoti prietaisą įsitinkinkite, kad perskaitėte ir supratote prie prietaiso pridedamą naudojimo instrukciją, įskaitant instrukcijas, saugos ir įspėjamuosius nurodymus, paveikslėlius ir specifikacijas. Svarbiausia susipažinkite su visomis instrukcijomis, saugos ir įspėjamaisiais nurodymais, paveikslėliais, specifikacijomis be sudėtinėmis dalimis ir funkcijomis. Nesilaikant šio reikalavimo, kyla elektros smūgio, gaisro ir (arba) sunkių sužalojimų pavojus. Vėlesniam naudojimui išsaugokite naudojimo instrukciją, įskaitant visas instrukcijas, saugos ir įspėjamuosius nurodymus.
- **HILTI** prietaisai yra skirti profesionalams, todėl juos naudoti, atlikti jų techninės priežiūros ir remonto darbus leidžiama tik įgaliotam, instruktuojamam personalui. Šis personalas turi būti supažindintas su visais



galimais pavojais. Neinstrukuoto personalo netinkamai arba ne pagal paskirtį naudojamais prietaisais ir jo priedais gali kelti pavojų.

- Pridedama naudojimo instrukcija atitinka naujausią technikos lygį spausdinimo momentu. Naujausią versiją visada rasite internetu „Hilti“ prietaisų puslapyje. Sekite nuorodą arba QR kodą šioje naudojimo instrukcijoje, pažymėtą simboliu .
- Kitiems asmenims prietaisą perduokite tik kartu su šia naudojimo instrukcija.

## 1.2 Ženklų paaiškinimas

### 1.2.1 Įspėjamieji nurodymai

Įspėjamieji nurodymai įspėja apie pavojus, gresiančius eksploatuojant prietaisą. Naudojami šie signaliniai žodžiai:

#### **PAVOJUS**

##### **PAVOJUS !**

- ▶ Šis žodis vartojamas norint įspėti apie tiesiogiai gresiantį pavojų, kurio pasekmės yra sunkūs kūno sužalojimai arba žūtis.

#### **ĮSPĖJIMAS**

##### **ĮSPĖJIMAS !**

- ▶ Šis žodis vartojamas norint įspėti apie galimai gresiantį pavojų, kurio pasekmės gali būti sunkūs kūno sužalojimai arba žūtis.

#### **ATSARGIAI**

##### **ATSARGIAI !**

- ▶ Šis žodis vartojamas potencialiai pavojingai situacijai žymėti, kai yra kūno sužalojimo arba materialinių nuostolių grėsmė.

### 1.2.2 Naudojimo instrukcijoje naudojami simboliai

Šioje naudojimo instrukcijoje naudojami tokie simboliai:

	Laikykitės naudojimo instrukcijos
	Naudojimo nurodymai ir kita naudinga informacija
	Rodo, kad juo paženklintą medžiagą galima perdirbti
	Elektrinių prietaisų ir akumuliatorių nemesti į buitines atliekas
	<b>Hilti</b> Ličio jonų akumulatorius
	<b>Hilti</b> Kroviklis

### 1.2.3 Iliustracijose naudojami simboliai

Iliustracijose naudojami šie simboliai:

	Šis skaitmenys nurodo atitinkamą iliustraciją šios naudojimo instrukcijos pradžioje.
	Numeravimas nurodo darbinių veiksmų eiliškumą paveikslėlyje ir gali skirtis nuo tekste pateikto darbinių veiksmų numeravimo.
	Pozicijų numeriai naudojami paveikslėlyje <b>Apžvalga</b> – jie nurodo skyrelyje <b>Prietaiso vaizdas</b> esančių paaiškinimų numerius.
	Šiuo ženklu siekiama atkreipti ypatingą dėmesį į naudojamą šiuo prietaisu.

## 1.3 Specifiniai prietaiso simboliai

### 1.3.1 Papildomi simboliai

Šioje dokumentacijoje arba ant gaminio papildomai gali būti naudojami šie simboliai:



$n_0$	Judesių dažnis veikiant tuščiaja eiga
==	Nuolatinė srovė
Li-Ion	Ličio jonų akumuliatorius
	Prietaisas palaiko NFC technologiją, suderinamą su „iOS“ ir „Android“ platformomis.
	Niekada nenaudokite akumuliatoriaus kaip smūginio įrankio.
	Saugokite, kad akumuliatorius nenukristų. Nenaudokite akumuliatoriaus, kuris buvo sutrenktas arba kaip nors kitaip pažeistas.

## 2 Sauga

### 2.1 Bendrieji saugos nurodymai dirbantiems su elektriniais įrankiais

**⚠️ ĮSPĖJIMAS Perskaitykite visus ant šio elektrinio įrankio esančius saugos nurodymus, instrukcijas, paveikslėlius ir techninius duomenis.** Šių nurodymų nesilaikymas gali tapti elektros smūgio, gaisro ir / arba sunkių sužalojimų priežastimi.

**Išsaugokite visus saugos nurodymus ir instrukcijas, kad galėtumėte į juos pažvelgti ateityje.**

Saugos nurodymuose vartojama sąvoka „elektrinis įrankis“ apibrėžiami iš elektros tinklo maitinami elektriniai įrankiai (turintys maitinimo kabelį) ir iš akumuliatoriaus maitinami elektriniai įrankiai (be maitinimo kabelio).

#### Sauga darbo vietoje

- ▶ **Pasirūpinkite, kad darbo vieta visada būtų švari ir gerai apšviesta.** Netvarkinga ar blogai apšviesta darbo vieta gali tapti nelaimingų atsitikimų priežastimi.
- ▶ **Nenaudokite elektrinio įrankio sprogoje aplinkoje, kurioje yra degių skysčių, dujų arba dulkių.** Veikiantys elektriniai įrankiai kibirkščiuoja, ir kibirkštys gali uždegti dulkes arba susikaupusius garus.
- ▶ **Dirbdami su elektriniu įrankiu, neleiskite darbo zonoje būti vaikams ir pašaliniais asmenimis.** Atitraukę dėmesį nuo darbo, galite nebesuvaldyti prietaiso.

#### Apsauga nuo elektros

- ▶ **Prietaiso maitinimo kabelio kištukas turi atitikti elektros lizdo tipą.** Kištuko jokiu būdu negalima keisti. Nenaudokite tarpinių kištukų kartu su elektriniais įrankiais, turinčiais apsauginį įžeminimą. Nepakeisti kištukai ir tinkami elektros lizdai mažina elektros smūgio riziką.
- ▶ **Venkite kūno kontakto su įžemintais paviršiais, pvz., vamzdžiais, šildytuvais, viryklėmis ir šaldytuvais.** Kai žmogaus kūnas yra įžemintas, padidėja elektros smūgio tikimybė.
- ▶ **Elektrinius įrankius saugokite nuo lietaus ir drėgmės.** Į elektrinį įrankį patekus vandens, padidėja elektros smūgio rizika.
- ▶ **Nenaudokite elektros maitinimo kabelio ne pagal paskirtį, t. y. neneškite elektrinio įrankio paėmę už kabelio, nekabinkite jo ant kabelio, netraukite už kabelio, norėdami ištraukti kištuką iš elektros lizdo.** Elektros maitinimo kabelį saugokite nuo karščio, alyvos, astrių briaunų ar judančių dalių. Pažeisti arba susipynę elektros maitinimo kabeliai didina elektros smūgio riziką.
- ▶ **Jeį su elektriniu įrankiu dirbate lauke, naudokite tik tokius ilginimo kabelius, kurie tinka ir lauko darbams.** Naudojant lauko darbams tinkančius ilginimo kabelius, mažėja elektros smūgio rizika.
- ▶ **Jeigu elektrinio įrankio naudojimo drėgnoje aplinkoje negalima išvengti, į elektros tinklą jįjunkite per apsauginę nuotėkio relę.** Apsauginė nuotėkio relė mažina elektros smūgio riziką.

#### Žmonių sauga

- ▶ **Dirbdami su elektriniu įrankiu, būkite atidūs, sutelkite dėmesį į darbą ir vadovaukitės sveika nuovoka.** Elektrinio įrankio nenaudokite, jeigu esate pavargę arba apsaivę nuo narkotinių medžiagų, alkoholio ar vaistų. Neatidumo akimirka dirbant su elektriniu įrankiu gali tapti rimtų sužalojimų priežastimi.
- ▶ **Naudokite asmenines apsaugos priemones ir visuomet užsidėkite apsauginius akinius.** Naudojant asmenines apsaugos priemones, pvz., respiratorių, neslystančius apsauginius batus, apsauginį šalną, ausines ir kt., priklausomai nuo elektrinio įrankio tipo ir naudojimo, mažėja rizika susižaloti.
- ▶ **Saugokitės, kad neįjungtumėte prietaiso atsitiktinai. Prieš prijungdami prie elektros maitinimo tinklo, įdėdami akumuliatorių, imdami į rankas ar nešdami, įsitikinkite, kad elektrinis įrankis yra išjungtas.** Jeigu nešdami elektrinį įrankį pirštą laikysite ant jungiklio arba įrankį įjungsite į elektros tinklą tuomet, kai jungiklis nėra išjungtas, gali įvykti nelaimingas atsitikimas.





- ▶ **Prieš įjungdami elektrinį įrankį, pašalinkite iš jo reguliavimo įrankius ar veržlinius raktus.** Besisukančioje prietaiso dalyje esantis įrankis ar paliktas raktas gali tapti sužalojimų priežastimi.
- ▶ **Venkite nepatogių kūno padėčių. Dirbdami stovėkite tvirtai ir visada išlaikykite kūno pusiausvyrą.** Taip galėsite geriau kontroliuoti elektrinį įrankį netikėtose situacijose.
- ▶ **Vilkėkite tinkamą aprangą. Nevilkėkite plačių drabužių, nesidėkite papuošalų. Saugokite plaukus, drabužius ir pirštines nuo besisukančių prietaiso dalių.** Laisvus drabužius, papuošalus ir ilgus plaukus gali įtraukti besisukančios prietaiso dalys.
- ▶ **Jei yra numatyta galimybė prijungti dulkių nusiurbimo ar surinkimo įrenginius, visada įsitinkinkite, kad jie yra prijungti ir tinkamai naudojami.** Naudojant dulkių nusiurbimo įrenginį, gali sumažėti dulkių keliama grėsmė.
- ▶ **Neturėkite iliuzijų, kad visada esate saugūs, ir, skaitydami naudojimo instrukcijas, nepraleiskite skyrelių apie saugų darbą su elektriniais įrankiais, net jeigu per ilgus naudojimo metus esate su savo elektriniu įrankiu susipažinę.** Neatsargus veiksmas per sekundės dalį gali tapti sunkių sužalojimų priežastimi.

#### Elektrinio įrankio naudojimas ir elgesys su juo

- ▶ **Prietaiso neperkraukite. Naudokite Jūsų darbui tinkamą elektrinį įrankį.** Su tinkamu elektriniu įrankiu dirbsite geriau ir saugiau, jei neviršysite nurodytos galios.
- ▶ **Nenaudokite elektrinio įrankio su sugedusiu jungikliu.** Elektrinis įrankis, kurio nebegalima įjungti ar išjungti, yra pavojingas ir jį reikia remontuoti.
- ▶ **Prieš prietaisą nustatydami, keisdami reikmenis ar tiesiog padėdami į šalį, visuomet ištraukite maitinimo kabelio kištuką iš elektros lizdo ir / arba iš prietaiso išimkite akumuliatorių.** Ši atsargumo priemonė leis išvengti netikėto elektrinio įrankio įsijungimo.
- ▶ **Nenaudojamus elektrinius įrankius saugokite vaikams nepasiekiamoje vietoje. Neleiskite prietaisu naudotis asmenims, kurie nėra su juo susipažinę arba nėra perskaitę šios instrukcijos.** Elektriniai įrankiai yra pavojingi, kai juos naudoja patirties neturintys asmenys.
- ▶ **Elektrinius įrankius ir reikmenis rūpestingai prižiūrėkite. Tikrinkite, ar judančios elektrinio įrankio dalys tinkamai funkcionuoja ir nekur neklūva, ar nėra sulūžusių ir pažeistų dalių, kurios blogintų įrankio veikimą. Prieš naudojimą pažeistos prietaiso dalys turi būti suremontuotos.** Blogai prižiūrimi elektriniai įrankiai yra daugelio nelaimingų atsitikimų priežastis.
- ▶ **Pjovimo įrankiai visuomet turi būti aštrūs ir švarūs.** Rūpestingai prižiūrėti pjovimo įrankiai su aštriomis pjovimo briaunomis mažiau stringa ir yra lengviau valdomi.
- ▶ **Elektrinį įrankį, reikmenis, keičiamuosius įrankius ir t. t. naudokite pagal šias instrukcijas. Taip pat atsižvelkite į darbo sąlygas ir atliekamo darbo pobūdį.** Elektrinius įrankius naudojant ne pagal paskirtį, gali kilti pavojingos situacijos.
- ▶ **Prižiūrėkite rankenas, kad jos ir jų laikymo paviršiai visada būtų sausi, švarūs ir neriebaluoti.** Slidžios rankenos ir jų laikymo paviršiai negali užtikrinti elektrinio įrankio saugaus naudojimo ir valdymo kontrolės nenumatytose situacijose.

#### Akumuliatorinio įrankio naudojimas ir elgesys su juo

- ▶ **Akumuliatoriams įkrauti naudokite tik tuos kroviklius, kuriuos rekomenduoja gamintojas.** Kroviklį, tinkantį tik nurodytiems akumuliatorių tipams, naudojant kitiems akumuliatoriams įkrauti, kyla gaisro pavojus.
- ▶ **Elektriniuose įrankiuose naudokite tik konkrečiai jiems skirtus akumulatorius.** Naudojant kitokius akumulatorius, kyla pavojus susižaloti ir sukelti gaisrą.
- ▶ **Nenaudojamo akumuliatoriaus nelaikykite šalia sąvaržėlių, monetų, raktų, vinių, varžtų ar kitokių smulkių metalinių daiktų, kurie galėtų trumpai sujungti akumuliatoriaus kontaktus.** Trumpai sujungus akumuliatoriaus kontaktus, yra pavojus nusidenginti ar sukelti gaisrą.
- ▶ **Netinkamai naudojant akumuliatorių, iš jo gali ištekėti skystis. Venkite kontakto su šiuo skysčiu. Jei skysčio atsitiktinai pateko ant odos, nuplaukite ją vandeniu, jei pateko į akis - gerai praplaukite jas vandeniu ir nedelsdami kreipkitės į gydytoją.** Akumuliatoriaus skystis gali sudirginti arba chemiškai nudeginti odą.
- ▶ **Nenaudokite pažeisto arba perdirbto akumuliatoriaus.** Pažeisti arba perdirbti akumuliatoriai gali funkcionuoti nenumatyta, todėl gali kelti gaisro, sprogo ar sužalojimų pavojų.
- ▶ **Akumuliatorių saugokite nuo ugnies ir per aukštos temperatūros.** Ugnies arba didesnės kaip 130 °C (265 °F) temperatūros veikiamas akumuliatorius gali sprogti.
- ▶ **Laikykites visų įkrovimo instrukcijų ir akumuliatorių arba akumuliatorinį įrankį visada įkraukite tik eksploatavimo instrukcijoje nurodytame temperatūrų diapazone.** Netinkamas įkrovimas arba įkrovimas už leistino temperatūrų diapazono ribų gali sugadinti akumuliatorių ir padidinti gaisro pavojų.

#### Techninė priežiūra

- ▶ **Savo elektrinį įrankį patikėkite remontuoti tik kvalifikuotam specialistui, tam jis turi naudoti tik originalias atsargines dalis.** Taip galima užtikrinti, kad bus išlaikytas prietaiso naudojimo saugumas.



- ▶ **Niekada nevykdykite pažeistų akumuliatorių techninės priežiūros.** Bet kokią akumuliatorių techninę priežiūrą leidžiama vykdyti tik gamintoji arba įgaliotoms klientų aptarnavimo įmonėms.

## 2.2 Saugos nurodymai dirbantiems su pjūklais, kurių pjūklelis juda pirmyn ir atgal

- ▶ **Jeigu vykdamas darbus keičiamasis įrankis gali paliesti paslėptus elektros laidus, elektrinį įrankį laikykite paėmę už izoliuotų rankenų paviršių.** Dėl kontakto su laidais, kuriais teka elektros srovė, metalinėse prietaiso dalyse taip pat gali atsirasti įtampa, todėl kyla elektros smūgio pavojus.
- ▶ **Ruošinį veržtuvais ar kokių nors kitokių būdu pritvirtinkite ir užfiksuokite ant stabilaus pagrindo.** Jeigu ruošinį laikote tik ranka ar atrėmę jį kūną, jis išlieka paslankus, todėl galite nesuvaldyti prietaiso.

## 2.3 Papildomi saugos nurodymai

- ▶ Prietaisą ir priedus naudokite tik tada, kai jie yra techniškai tvarkingi.
- ▶ Prietaisą ir reikmenis draudžiama keisti ar atlikti kitokius jų pakeitimus.
- ▶ Prieš pradėdami dirbti patikrinkite, ar darbo zonoje nėra paslėptų elektros laidų, dujų ar vandentiekio vamzdžių. Netyčia pažeidus elektros kabelį, dujų ar vandens vamzdį, išorinėse metalinėse prietaiso dalyse taip pat gali atsirasti įtampa, kelianti elektros smūgio pavojų, arba gali kilti sprogdimo pavojus.
- ▶ Užtikrinkite, kad vėdinimo plyšiai visada būtų atviri. Nudėgimo pavojus dėl uždengtų vėdinimo plyšių!
- ▶ Dirbdami su prietaisu, dėvėkite apsauginius akinius, klausos apsaugos priemones ir mūvėkite apsaugines pirštines.
- ▶ Dirbdami užsidėkite akių apsaugos priemonę. Medžiagų skeveldros gali sužaloti odą ir akis.
- ▶ Šlifuojant, pjaustant ir gręžiant kylančiose dulkėse gali būti pavojingų cheminių medžiagų. Štai keli pavyzdžiai: švinas ar dažai švino pagrindu, plytos, betonas ir kiti mūro statiniai, natūralus akmuo ir kiti gaminiai, kurių sudėtyje yra silikato, tam tikra mediena, ažuolas, bukas ir chemiškai apdorota mediena, asbestas arba medžiagos, kurių sudėtyje yra asbesto. Naudodamiesi medžiagų, su kuriomis dirbama, pavojingumo klase, nustatykite poveikį dirbančiajam ir aplink esantiems asmenims. Imkitės būtinų priemonių, užtikrinančių, kad poveikis liktų saugiam lygmenyje, pvz., naudokite dulkių surinkimo sistemą arba dėvėkite tinkamas kvėpavimo apsaugos priemones. Prie bendrųjų priemonių, skirtų poveikiui sumažinti, priskiriama:
  - ▶ darbas gerai vėdinamoje srityje,
  - ▶ ilgesnio kontakto su dulkelėmis vengimas,
  - ▶ dulkių nuvedimas nuo veido ir kūno,
  - ▶ apsauginių drabužių dėvėjimas ir užterštų vietų nuplovimas vandeniu ir muilu.
- ▶ Sužalojimo pavojus dėl žemyn krentančių įrankių ir / arba priedų. Prieš pradėdami dirbti patikrinkite, ar akumuliatorius ir sumontuoti priedai yra patikimai pritvirtinti.
- ▶ Prietaisą įjunkite tik tada, kai jį nustatėte į darbinę padėtį.
- ▶ Prietaisą visada laikykite tvirtai paėmę už tam skirtų rankenų. Rankenos visada turi būti sausas ir švarios.
- ▶ Dažnai darykite pertraukas ir pratimus, užtikrinančius geresnę Jūsų pirštų kraujotaką. Dirbant ilgesnį laiką, vibracijos gali sukelti pirštų, plaštakos ar riešo sąnario kraujagyslių ar nervų sistemos pažeidimus.
- ▶ Nežiūrėkite tiesiai į šviesostuvą (šviesos diodą) ir nenukreipkite jo į kito žmogaus veidą. Kyla pavojus apakti!
- ▶ Prieš padėdami prietaisą palaukite, kol jis visiškai sustos.
- ▶ Keisdami keičiamąjį įrankį, mūvėkite apsaugines pirštines. Liesdami keičiamąjį įrankį, galite susipjaustyti ir nusideginti rankas!

### Specialieji saugos nurodymai dirbantiems su siaurapjūkliais

- ▶ Pjaudami prietaisą visada stumkite nuo kūno.
- ▶ Niekada nelaikykite rankų prieš pjūklelį ar prie / ant pjūklelio.
- ▶ Nepjaukite nežinomų medžiagų ir nežinomose vietose, nuo pjūvio linijos viršuje ir apačioje pašalinkite kliūtis.
- ▶ Pjovimo metu neikiškite rankos po ruošiniu.

## 2.4 Su akumuliatoriais elgtis atsargiai

- ▶ **Laikykites žemiau pateiktų saugaus naudojimo ir darbo su ličio jonų akumuliatoriais saugos nuorodų.** Nesilaikant šių nurodymų, galimas odos sudirginimas, sunkūs sužalojimai dėl esdinančio poveikio, cheminiai nudegimai, gaisro ir / arba sprogdimo pavojus.
- ▶ Akumuliatorius naudokite tik nepriekaištingos techninės būklės.
- ▶ Kad išvengtumėte akumuliatoriaus pažeidimų ir sveikatai labai kenksmingų skysčių ištekėjimo, su akumuliatoriumi elkitės labai atsargiai!
- ▶ Akumuliatorius draudžiama modifikuoti ar kaip nors kitaip jais manipuliuoti!



- ▶ Akumulatorius draudžiama ardyti, spausti, kaitinti iki aukštesnės kaip 80 °C (176 °F) temperatūros arba deginti.
- ▶ Nenaudokite ir neįkraukite akumuliatorių, kurie buvo sutrenkti arba kaip nors kitaip pažeisti. Reguliariai tikrinkite, ar nėra akumuliatoriaus pažeidimo požymių.
- ▶ Niekada nenaudokite utilizuotų arba remontoūtų akumuliatorių.
- ▶ Akumuliatoriaus arba akumuliatorinio elektrinio įrankio niekada nenaudokite vietoje plaktuko.
- ▶ Saugokite akumulatorius nuo tiesioginių saulės spindulių, aukštesnės temperatūros, kibirkščių ir atviros ugnies. Tai gali sukelti sprogimą.
- ▶ Baterijos polių nelieskite pirštais, įrankiais, papuošalais ar kitokiais elektra laidžiais daiktais. Tai gali pažeisti akumuliatorių, taip pat padaryti materialinių nuostolių ir sužaloti.
- ▶ Saugokite akumulatorius nuo lietaus, drėgmės bei skysčių. Įsiskverbusi drėgmė gali sukelti trumpąjį jungimą, elektros smūgį, nudegimą, gaisrą ir sprogimą.
- ▶ Naudokite tik šio tipo akumuliatoriams skirtus kroviklius ir elektrinius įrankius. Laikykitės atitinkamoje naudojimo instrukcijoje pateiktų duomenų.
- ▶ Nenaudokite ir nelaikykite akumuliatoriaus sprogoje aplinkoje.
- ▶ Jeigu į rankas paimtas akumulatorius atrodo karštas, jis gali būti sugedęs. Padėkite akumuliatorių matomoje, nedegioje vietoje pakankamu atstumu nuo degių medžiagų. Leiskite akumuliatoriui atvėsti. Jei akumuliatorių po valandos vis dar yra per karštas paimti į rankas, jis yra sugedęs. Kreipkitės į **Hilti** techninės priežiūros centrą, arba perskaitykite šį dokumentą „**Hilti** ličio jonų akumuliatorių saugos ir naudojimo nurodymai“.

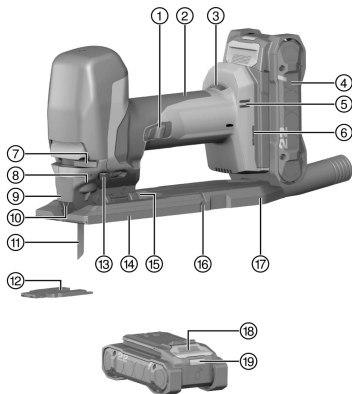


Laikykitės specialiųjų direktyvų, galiojančių ličio jonų akumuliatorių transportavimui, sandėliavimui ir naudojimui. 52

Perskaitykite **Hilti** ličio jonų akumuliatorių saugos ir naudojimo nurodymus, kuriuos rasite nusėnavę QR kodą, esantį šios naudojimo instrukcijos gale.

### 3 Aprašymas

#### 3.1 Prietaiso vaizdas



- ① Jungiklis
- ② Rankena
- ③ Eigų dažnio nustatymo ratukas
- ④ Akumulatorius
- ⑤ Vėdinimo plyšiai
- ⑥ Montavimo anga, skirta priedui
- ⑦ Pjūklelio atblokavimo svirtis
- ⑧ Įrankio griebtuvas
- ⑨ Gaubtelis
- ⑩ Apsauga nuo lietimo
- ⑪ Pjūklelis
- ⑫ Apsauga nuo paviršiaus išdraskymo
- ⑬ Švytuojančios eigos nustatymų svirtis
- ⑭ Atraminė plokštė
- ⑮ Pjovimo kampo nustatymo skalė
- ⑯ Fiksavimo kablys
- ⑰ Nusiurbimo adapteris
- ⑱ Akumuliatoriaus atblokavimo mygtukas
- ⑲ Akumuliatoriaus būsenos indikatorius

#### 3.2 Naudojimas pagal paskirtį

Aprašytasis prietaisas rankinis akumuliatorinis siaurapjūklis. Jis yra skirtas plastikams, medienai ir metalinėms gamybinėms medžiagoms, taip pat gipso ir medienos plaušo plokštėms pjauti.

Prietaisas turi nuimamą prijungimo atvamzdį papildomai užsakomam dulkių siurbliui, prie kurio galima prijungti plačiai naudojamas siurblių žarnas. Siurblio žarnai sujungti su prietaisu gali tekti naudoti tinkamą adapterį.



- Su šiuo prietaisu naudokite tik B 22 serijos **Hilti** Nuron ličio jonų akumulatorius. Optimaliam našumui **Hilti** rekomenduoja šiam prietaisui šios naudojimo instrukcijos gale esančioje lentelėje nurodytus akumulatorius.
- Šiems akumulatoriams įkrauti naudokite tik šios naudojimo instrukcijos gale esančioje lentelėje nurodytų serijų **Hilti** kroviklius.
- Su šiuo prietaisu naudokite tik siaurapjūklį pjūklelius su T formos kotu (kotas su vienu kumšteliu).

### 3.3 Netinkamas naudojimas

- Prietaisą draudžiama naudoti medžių šakoms ir kamienams pjauti.
- Prietaisą draudžiama naudoti sveikatai pavojingoms gamybinėms medžiagoms apdirbti.
- Prietaisą draudžiama naudoti darbui drėgnoje aplinkoje.

### 3.4 Ličio jonų akumulatoriaus rodmenys

**Hilti** Nuron ličio jonų akumulatoriai gali parodyti įkrovos būklę, pranešimus apie klaidą ir akumulatoriaus būklę.

#### 3.4.1 Įkrovos būklės ir pranešimų apie klaidas rodmenys

##### ĮSPĖJIMAS

##### Sužalojimo pavojus krentančiu akumulatoriumi!

- Kai akumulatorius įstatytas, spausdami atblokavimo mygtuką įsitikinkite, kad vėl tinkamai užfiksavote akumulatorių naudojamame prietaise.

Kad gautumėte vieną iš šių rodmenų, spustelėkite akumulatoriaus atblokavimo mygtuką. Įkrovos būklė bei galimos triktys rodomos nuolat, kol prijungtas prietaisas yra įjungtas.

Būseną	Reikšmė
Keturi (4) šviesos diodai nuolat šviečia žaliai	Įkrovos lygis: nuo 100 iki 71 %
Trys (3) šviesos diodai nuolat šviečia žaliai	Įkrovos lygis: nuo 70 iki 51 %
Du (2) šviesos diodai nuolat šviečia žaliai	Įkrovos lygis: nuo 50 iki 26 %
Vienas (1) šviesos diodas nuolat šviečia žaliai	Įkrovos lygis: nuo 25 iki 10 %
Vienas (1) šviesos diodas lėtai mirksi žaliai	Įkrovos lygis: < 10 %
Vienas (1) šviesos diodas greitai mirksi žaliai	Ličio jonų akumulatorius yra visiškai išsikrovęs. Akumuliatorių įkraukite. Jei šviesos diodai po akumulatoriaus įkrovimo vis dar greitai mirksi, kreipkitės į <b>Hilti</b> techninės priežiūros centrą.
Vienas (1) šviesos diodas greitai mirksi geltonai	Ličio jonų akumulatorius arba su juo sujungtas prietaisas yra veikiamas per didelės apkrovos, yra per karštas, per šaltas arba įvykęs kitoks gedimas. Prietaisą ir akumuliatorių nustatykite į rekomenduojamą darbinę temperatūrą ir naudodami neperkraukite prietaiso. Jei pranešimas rodomas ir toliau, prašome kreiptis į <b>Hilti</b> techninės priežiūros centrą.
Vienas (1) šviesos diodas šviečia geltonai	Ličio jonų akumulatorius ir su juo susijęs prietaisas yra nesuderinami. Kreipkitės į <b>Hilti</b> techninės priežiūros centrą.
Vienas (1) LED šviesos diodas greitai mirksi raudonai	Ličio jonų akumulatorius užblokuotas, jo neb galima naudoti. Kreipkitės į <b>Hilti</b> techninės priežiūros centrą.

#### 3.4.2 Akumulatoriaus būsenos rodmenys

Norėdami užklausti apie akumulatoriaus būklę, ilgiau nei tris sekundes spauskite atblokavimo mygtuką. Sistema neatpažįsta galimo netinkamo baterijos veikimo, kuris yra neleistino baterijos naudojimo pasekmė, pvz., jei nukritus, ją pažeidus arba esant išorinių pažeidimų dėl karščio.



Būsena	Reikšmė
Visi šviesos diodai šviečia kaip signalinės lemputės, ir po to (1) vienas šviesos diodas nuolat šviečia žalia spalva.	Akumuliatorių galima naudoti toliau.
Visi šviesos diodai šviečia kaip signalinės lemputės, ir po to (1) vienas šviesos diodas greitai mirksi geltona spalva.	Užklausa dėl akumulatoriaus būklės negalėjo būti baigta. Procedūrą pakartokite arba kreipkitės į <b>Hilti</b> techninės priežiūros centrą.
Visi šviesos diodai šviečia kaip signalinės lemputės, ir po to (1) vienas šviesos diodas nuolat šviečia raudona spalva.	Jei prijungtą prietaisą galima naudoti toliau, likusi akumulatoriaus talpa yra mažesnė kaip 50%. Jei prijungto prietaiso toliau naudoti nebegalima, vadinasi akumulatoriaus eksploatavimo laikas baigėsi ir jį reikia pakeisti. Kreipkitės į <b>Hilti</b> techninės priežiūros centrą.

### 3.5 Pjuvenų nupūtimo įtaisas

Pjuvenų nupūtimo įtaisas į pjūklelį nukreipia oro srautą, kad nuo pjūvio linijos nupūstų drožles.

### 3.6 Judesių dažnis

Judesių dažnį galima nustatyti nustatymo ratuku. Padėtis 1 atitinka 800 judesių per minutę, o padėtis 6 atitinka 3000 judesių per minutę.

### 3.7 4 dydžių švytuoklinis judesys

Dėl 4 dydžių švytuoklinės eigos pjovimo būdą ir kokybę galima tiksliau pritaikyti pjaunamai medžiagai. Vieną iš 4 dydžių galima pasirinkti švytuojančios eigos nustatymo svirtimi.

Kuo švaresnė ir tikslesnė turi būti pjūvio briauna, tuo mažesnę švytavimo dydį reikia pasirinkti. Optimalų nustatymą galima surasti praktiniais bandymais.

Būsena	Reikšmė
0 padėtis	Švytavimo nėra
1 padėtis	Mažas švytavimas
2 padėtis	Vidutinis švytavimas
3 padėtis	Didelis švytavimas

### 3.8 Apsauga nuo paviršiaus išdraskymo

Prietaise gali būti įrengta apsauga nuo paviršiaus išdraskymo.

Pjaunant medienos ruošinius, apsauga nuo paviršiaus išdraskymo saugo nuo paviršiaus išpleišėjimo ir briaunų trupėjimo.

### 3.9 Automatinis prietaiso išjungimas

Kai jungiklis yra nuolat nuspaustas ilgiau kaip 15 minučių (pvz., transportuojant ar sandėliuojant), prietaisas automatiškai išjungiamas. Taip išvengiama akumulatoriaus gilaus iškrovimo.

### 3.10 Tiekiamas komplektas

Siaurapjūklis su pjūkleliu, gaubtelis, nusiurbimo adapteris, apsauga nuo paviršiaus išdraskymo, naudojimo instrukcija, šešiabriaunis raktas.

Daugiau Jūsų turimam prietaisui skirtų sisteminių reikmenų rasite vietinėje **Hilti Store** arba tinklalapyje [www.hilti.group](http://www.hilti.group)



## 4 Techniniai duomenys

### 4.1 Siaurapjūklis

	<b>SJT 6-22</b>
Prietaiso karta	02
Nurodytoji įtampa	21,6 V
Svoris pagal EPTA Procedure 01 be akumulatoriaus	2,1 kg
Eigos dydis	28 mm
Judesių dažnis veikiant tuščiaja eiga ( $n_0$ )	800 aps./min. ... 3 000 aps./min.
Maksimalus pjaunamos medienos storis	150 mm
Maksimalus pjaunamo aliuminio storis	25 mm
Maksimalus pjaunamo nelegiruoto plieno storis	10 mm
Pjovimo kampas (į kairę / į dešinę)	0° ... 45°
Išorinis nusiurbimo adapterio skersmuo	27,5 mm
Laikymo temperatūra	-20 °C ... 70 °C
Darbinė aplinkos temperatūra	-17 °C ... 60 °C

### 4.2 Informacija apie triukšmą ir vibracijos reikšmės

Šiuose nurodymuose pateiktos garso slėgio ir vibracijos reikšmės yra išmatuotos taikant standartizuotą matavimo metodą ir gali būti naudojamos elektriniams įrankiams palyginti tarpusavyje. Jos taip pat tinka šių veiksmų poveikiui iš anksto įvertinti.

Nurodytieji duomenys yra susieti su pagrindinėmis šio elektrinio įrankio naudojimo sritimis. Jeigu elektrinis įrankis bus naudojamas kitaip, su skirtingais keičiamaisiais įrankiais arba bus nepakankamai techniškai prižiūrimas, šie duomenys gali skirtis nuo nurodytųjų. Tai gali gerokai padidinti šių veiksmų poveikį per visą darbo laikotarpį.

Norint tiksliai įvertinti poveikį, reikėtų įvertinti ir laiką, kai elektrinis prietaisas yra išjungtas, arba, nors ir įjungtas, juo faktiškai nedirbama. Toks įvertinimas gali smarkiai sumažinti poveikio per visą darbo laikotarpį reikšmę. Imkitės papildomų saugos priemonių, kad darbuotojas būtų apsaugotas nuo triukšmo ir / arba vibracijos poveikio, pavyzdžiui, reikalaukite tinkamos elektrinio įrankio ir keičiamųjų įrankių techninės priežiūros, pasirūpinkite, kad darbuotojų rankos visada būtų šiltos, užtikrinkite tinkamą darbo organizavimą.



Išsamios informacijos apie čia taikomą **EN 62841** standartų versijas rasite atitikties deklaracijos vaizde 250.

### Skleidžiamo triukšmo lygio reikšmės

	<b>SJT 6-22</b>
Garso galios lygis ( $L_{WA}$ )	99 dB(A)
Garso galios lygio paklaida ( $K_{WA}$ )	5 dB(A)
Garso slėgio lygis ( $L_{pA}$ )	91 dB(A)
Garso slėgio lygio paklaida ( $K_{pA}$ )	5 dB(A)

### Suminės vibracijų reikšmės

		<b>SJT 6-22</b>
Vibracijų emisijos reikšmė pjaunant medienos drožlių plokštes ( $a_{h,B}$ )	<b>B 22-55</b>	5,2 m/s <sup>2</sup>
	<b>B 22-255</b>	5,3 m/s <sup>2</sup>
Vibracijų emisijos reikšmė pjaunant metalo lakštą ( $a_{h,M}$ )	<b>B 22-55</b>	8,5 m/s <sup>2</sup>
	<b>B 22-255</b>	7,2 m/s <sup>2</sup>
Paklaida (K)		1,5 m/s <sup>2</sup>



### 4.3 Akumulatorius

Akumulatoriaus darbinė įtampa	21,6 V
Akumulatoriaus svoris	Žr. šios naudojimo instrukcijos gale
Darbinė aplinkos temperatūra	-17 °C ... 60 °C
Laikymo temperatūra	-20 °C ... 40 °C
Akumulatoriaus temperatūra, kai pradinama įkrauti	-10 °C ... 45 °C

## 5 Pasiruošimas darbui

### ĮSPĖJIMAS

#### Sužalojimo pavojus dėl atsitiktinio paleidimo!

- ▶ Prieš įdėdami akumuliatorių, įsitinkinkite, kad atitinkamas prietaisas yra išjungtas.
- ▶ Prieš nustatydami prietaisą ar keisdami reikmenis, išimkite akumuliatorių.

Laikykitės šioje instrukcijoje ir ant prietaiso pateiktų saugos nurodymų ir įspėjimų.

### 5.1 Akumulatoriaus įkrovimas

1. Prieš pradėdami krauti, perskaitykite kroviklio naudojimo instrukciją.
2. Atkreipkite dėmesį, kad akumulatoriaus ir kroviklio kontaktai turi būti švarūs ir sausi.
3. Akumuliatorių įkraukite leistinu krovikliu. 45

### 5.2 Akumulatoriaus įdėjimas

### ĮSPĖJIMAS

#### Sužalojimo pavojus dėl trumpojo jungimo arba krintančio akumulatoriaus!

- ▶ Prieš įdėdami akumuliatorių įsitinkinkite, kad jo ir prietaiso kontaktuose nėra pašalinių daiktų.
- ▶ Įsitinkinkite, kad akumuliatorius visada tinkamai užsifiksavo.

1. Prieš pirmą kartą naudodami, akumuliatorių pilnai įkraukite.
2. Akumuliatorių stumkite į prietaisą, kol jis girdimai užsifiksuos.
3. Patikrinkite, ar akumuliatorius gerai užsifikuotas prietaise.

### 5.3 Akumulatoriaus išėmimas

1. Spauskite akumulatoriaus atblokovimo mygtuką.
2. Iš gaminio išimkite akumuliatorių.

### 5.4 Siaurapjūklio pjūklelio įdėjimas

1. Siaurapjūklio pjūklelį (dantimis pjovimo kryptimi) stumkite į įrankio griebtuvą, kol užsifiksuos.
2. Siaurapjūklio pjūklelį patraukite ir įsitinkinkite, kad jis gerai užsifiksavo.

### 5.5 Gaubtelio uždėjimas

- ▶ Gaubtelį iš priekio stumkite ant prietaiso, kol užsifiksuos.



Gaubtelį uždėti galima tik tada, kai pagrindo plokštė yra normalioje (0° pjovimo kampo) padėtyje.

50

### 5.6 Nusiurbimo adapterio uždėjimas

1. Nusiurbimo adapterį iš galinės pusės horizontaliai stumkite į pagrindo plokštę, kol abu fiksavimo kabliai šonuose užsifiksuos.
2. Prie nusiurbimo adapterio prijunkite dulkių siurblio žarną.



## 5.7 Apsaugos nuo paviršiaus išdraskymo montavimas 5

- ▶ Apsaugą nuo paviršiaus išdraskymo iš apačios spauskite į atraminę plokštę.



Apsaugą nuo paviršiaus išdraskymo galima naudoti tik su tam skirtais siaurapjūklio pjūkleliais.

Apsaugą nuo paviršiaus išdraskymo galima naudoti tik tada, kai pagrindo plokštė yra normalioje (0° pjovimo kampo) padėtyje. 50

## 5.8 Apsaugos nuo kritimo iš aukščio priemonė



### ĮSPĖJIMAS

**Sužalojimo pavojus** krentant įrankiui ir/arba papildomai įrangai!

- ▶ Naudokite tik Jūsų prietaisui rekomenduojamą **Hilti** įrankio laikantįjį pjūklį.
- ▶ Kiekvieną kartą prieš naudodami patikrinkite įrankio laikančiojo lyno tvirtinimo taško galimus pažeidimus.
- ▶ Įrankio laikančiojo lyno netvirtinkite prie diržo kablo. Diržo kabelio nenaudokite prietaisui kelti.



Laikykitės Jūsų šalyje galiojančių direktyvų dėl darbo aukštyje.

Kaip apsaugą nuo nukritimo šiam gaminiui naudokite tik **Hilti** apsaugos nuo nukritimo įtaiso ir **Hilti** įrankio laikančiojo lyno #2261970 derinį.

- ▶ Apsaugos nuo nukritimo įtaisą pritvirtinkite papildomos įrangos montavimo angose. Patikrinkite, ar patikimai laikosi.
- ▶ Vieną įrankio laikančiojo lyno karabino kablį pritvirtinkite prie apsaugos nuo nukritimo įtaiso, o kitą karabino kablį – prie laikančiosios struktūros. Patikrinkite, ar abu karabino kabliai patikimai laikosi.



Laikykitės **Hilti** apsaugos nuo nukritimo įtaiso ir **Hilti** įrankio laikančiojo lyno naudojimo instrukcijų.

## 6 Naudojimas

Laikykitės šioje instrukcijoje ir ant prietaiso pateiktų saugos nurodymų ir įspėjimų.

### 6.1 Dulkių nusiurbimo įrangos naudojimas



Dulkių nusiurbimo įtaisas sumažina dulkių sklaidimą į aplinką ir didina darbo saugumą: darbo vietoje mažiau dulkių ir drožlių, geriau matoma pjūvio linija.

1. Gaubtelį uždėkite. 49
2. Jei ketinate ilgesnį laiką apdoroti medieną ar kitas daug dulkių keliančias medžiagas, visada naudokite dulkių nusiurbimo įrangą.

### 6.2 Pjovimo kampo nustatymas 6

1. Nuimkite nusiurbimo adapterį. 51
2. Atlaisvinkite ant pagrindo plokštės esantį varžtą.
3. Nustatykite norimą pjovimo kampą (nuo 0 iki 45 ° abiem kryptimis).
  - ▶ Kai pjovimo kampas yra 0°, pagrindo plokštė yra nejudamoje padėtyje. Kad būtų galima nustatyti pjovimo kampą, pagrindo plokštę pirmą reikia patraukti atgal.
  - ▶ Jei pagrindo plokštę vėl nustatote į 0° pjovimo kampą, pagrindo plokštę stumkite vėl į priekį, kad ji užsifiksuotų nejudamoje padėtyje.
4. Varžtą vėl priveržkite.
  - ▶ Pagrindo plokštė yra pritvirtinta.





### 6.3 Įjungimas



Apsaugine funkcija užtikrinama, kad prietaisas nepaleidžiamas, kai prietaisas iš pradžių įjungiamas ir tik tada įstatomas akumulatorius.

Jungiklį stumkite atgal ir tada iš naujo į priekį.

- ▶ Jungiklį stumkite į priekį.

### 6.4 Įleidžiamasis pjovimas

1. Švytuojančios eigos nustatymo svirtį nustatykite į padėtį „0“.
2. Prietaiso priekinę pagrindo plokštės briauną uždėkite ant ruošinio.
3. Prietaisą tvirtai laikykite ir spauskite jungiklį.
4. Prietaiso kraštą spauskite prie ruošinio ir, mažindami atakos kampą, leiskite pjūkleliui įsigilinti į medžiagą.
5. Kai pjūkleliu perversite ruošinį, tada prietaisą nustatykite į normalią darbinę padėtį.
  - ▶ Pagrindo plokštė yra visu plotu prispausta prie ruošinio.
6. Pjaukite pagal pjūvio liniją.

### 6.5 Išjungimas

- ▶ Jungiklį stumkite atgal.

## 7 Išmontavimas

### 7.1 Nusiurbimo adapterio nuėmimas

1. Abu fiksavimo kablius spauskite į vidų.
2. Traukdami atgal, nusiurbimo adapterį nuimkite nuo pagrindo plokštės.
3. Nuo nusiurbimo adapterio atjunkite dulkių siurblio žarną.

### 7.2 Gaubtelio nuėmimas

- ▶ Gaubtelį šiek tiek kilstelėkite ir, patraukę į priekį, nuimkite.

### 7.3 Siurapjūklio pjūklelio išstūmimas



#### ĮSPĖJIMAS

**Sužalojimo pavojus.** Nekontroliuojamas pjūklelio išstūmimas gali tapti sužalojimų priežastimi.

- ▶ Kai pjūklelis išstumiamas, prietaisą laikykite taip, kad pjūklelis negalėtų sužaloti žmonių ar gyvūnų.
- ▶ Pjūklelio atblokovimo svirtį lenkite į šoną, kol atsirems.
  - ▶ Siurapjūklio pjūklelis atsilaisvins ir iškris.

## 8 Priežiūra ir einamasis remontas



#### ĮSPĖJIMAS

**Sužalojimo pavojus kai įstatytas akumulatorius !**

- ▶ Prieš pradėdami bet kokius techninės priežiūros ir einamojo remonto darbus, akumuliatorių iš prietaiso išimkite!

#### Prietaiso priežiūra

- Pripilčius nešvarumus atsargiai nuvalykite.
- Jei yra, vėdinimo plyšius atsargiai išvalykite sausu minkštu šepetėliu.
- Korpusą valykite tik šiek tiek sudrėkinta šluoste. Nenaudokite priemonių, kurių sudėtyje yra silikono, nes jos gali pakenkti plastikinėms detalėms.
- Prietaiso kontaktams nuvalyti naudokite švarią, sausą šluostę.

#### Ličio jonų akumuliatorių priežiūra

- Niekada nenaudokite akumuliatoriaus, jei jo vėdinimo plyšiai yra užsikimšę. Vėdinimo plyšius atsargiai išvalykite sausu, minkštu šepetėliu.



- Saugokite akumuliatorių nuo bereikalingo dulkių ir nešvarumų poveikio. Saugokite akumuliatorių nuo didelės drėgmės (pvz., nepanardinkite į vandenį ir nepalikite stovėti lietuje). Jei akumuliatorius peršlapo, alkites su juo kaip su pažeistu akumuliatoriumi. Izoliuokite jį nedegiamame konteineryje ir kreipkitės į **Hilti** techninės priežiūros centrą.
- Saugokite akumuliatorių nuo pašalinės alyvos ir tepalų. Saugokite, kad ant akumuliatoriaus nenusėtų dulkių ir nešvarumų. Akumuliatorių valykite sausu, minkštu šepetiu arba švaria, sausa šluoste. Nenaudokite priemonių, kurių sudėtyje yra silikono, nes jos gali pakenkti plastikinėms detalėms. Nelieskite akumuliatoriaus kontaktų ir nepašalinkite nuo kontaktų gamykloje užtepto tepalo.
- Korpusą valykite tik šiek tiek sudrėkinta šluoste. Nenaudokite priemonių, kurių sudėtyje yra silikono, nes jos gali pakenkti plastikinėms detalėms.

### **Einamasis remontas**

- Reguliariai tikrinkite, ar matomos dalys nėra pažeistos ir ar valdymo elementai veikia nepriekaištingai.
- Nenaudokite pažeisto prietaiso arba prietaiso su veikimo trukdžiais. Prietaisą nedelsdami pristatykite remontuoti į **Hilti** techninės priežiūros centrą.
- Atlikę priežiūros ir remonto darbus uždėkite visus apsauginiai įtaisus ir patikrinkite, ar jie nepriekaištingai veikia.



Kad eksploatacija būtų patikima, naudokite tik originalias atsargines dalis ir eksploatacines medžiagas. **Hilti** aprobuotas atsargines dalis, eksploatacines medžiagas ir reikmenis savo prietaisui rasite vietinėje **Hilti Store** arba tinklalapyje [www.hilti.group](http://www.hilti.group)

### **8.1 Nusiurbimo adapterio valymas**

1. Nuimkite nusiurbimo adapterį. 51
2. Išvalykite nusiurbimo adapterį.
3. Patikrinkite, ar nepažeisti fiksavimo kabliai.
4. Uždėkite nusiurbimo adapterį. 49

### **8.2 Pjūklelių valymas**

1. Nuo naudotų pjūklelių nuvalykite dervas.
2. Pjūklelius 24 valandoms sudėkite į indą su žibalu ar įprastine dervų šalinimo priemone.

## **9 Akumuliatorių įrankių ir akumuliatorių transportavimas ir sandėliavimas**

### **Transportavimas**



#### **ATSARGIAI**

#### **Atsitiktinis įjungimas transportuojant !**

- ▶ Savo prietaisus visada transportuokite tik išėmę akumuliatorius!
- ▶ Išimkite akumuliatorių/akumuliatorius.
- ▶ Akumuliatorių niekada netransportuokite sumetę į krūvą su kitais daiktais. Transportuojamus akumuliatorius būtina saugoti nuo stiprių smūgių ir vibracijos, taip pat izoliuoti nuo bet kokių elektrai laidžių medžiagų ir kitų akumuliatorių, kad jie nesiliestų su kitų akumuliatorių poliais ir nesukeltų trumpojo jungimo. **Laikykitės eksploatacavimo vietoje galiojančių akumuliatorių transportavimo direktyvų.**
- ▶ Akumuliatorius draudžiama siųsti paštu. Jei norite siųsti nepažeistus akumuliatorius, kreipkitės į pervežimų įmonę.
- ▶ Prieš kiekvieną naudojimą ir po ilgesnio transportavimo patikrinkite, ar prietaisas ir akumuliatoriai nepažeisti.

### **Sandėliavimas**



#### **ISPĖJIMAS**

#### **Atsitiktinis pažeidimas dėl sugedusių ar išsiliejusių akumuliatorių !**

- ▶ Savo prietaisus visada laikykite tik išėmę akumuliatorius!
- ▶ Prietaisas ir akumuliatorių laikykite vėsioje ir sausoje vietoje. Atkreipkite dėmesį į ribines temperatūros vertes, nurodytas skyriuje "Techniniai duomenys".
- ▶ Akumuliatoriaus nelaikykite ant kroviklio. Akumuliatorių visada nuimkite nuo kroviklio po įkrovimo proceso.
- ▶ Nelaikykite akumuliatoriaus saulėje, ant šilumos šaltinių ar už lango stiklo.



- ▶ Prietaisą ir akumuliatorių laikykite vaikams bei neįgalotiems asmenims neprieinamoje vietoje.
- ▶ Prieš kiekvieną naudojimą ir po ilgesnio sandėliavimo patikrinkite, ar prietaisas ir akumuliatoriai nepažeisti.

## 10 Pagalba sutrikus veikimui

Visų sutrikimų atvejais atkreipkite dėmesį į akumuliatoriaus įkrovos lygio ir sutrikimų rodmenį. Žr. skyrių **Ličio jonų akumuliatoriaus rodmenys**.

Pasitaikius sutrikimų, kurie nėra aprašyti šioje lentelėje arba kurių negalite pašalinti patys, kreipkitės į **Hilti** techninės priežiūros centrą.

Sutrikimas	Galima priežastis	Sprendimas
Pjūklelis iškrenta.	Netinkamai užfiksuotas siaurapjūklėlio pjūklelis.	<ul style="list-style-type: none"> <li>▶ Pakartokite užspaudimo procedūrą.</li> <li>▶ Atkreipkite dėmesį, kad įrankio griebtuvas turi būti visiškai atviras ir siaurapjūklėlio pjūklelis turi būti stumiamas, kol pajusite pasipriešinimą.</li> </ul>
	Užteršta užspaudimo sistema.	▶ Išvalykite įrankio griebtuvą.
Pjūklėlio negalima įstatyti į griebtuvą.	Užteršta užspaudimo sistema.	▶ Išvalykite įrankio griebtuvą.
Švytuojančios eigos negalima keisti.	Užterštas švytuojančios eigos nustatymo svirties griovelis.	▶ Iš švytuojančios eigos nustatymo svirties griovelio pašalinkite nešvarumus.
Nėra švytuojančios eigos.	Užterštas švytavimo mechanizmas.	▶ Patikrinkite, ar neužteršta švytuoklės šakutės zona, ir, jeigu reikia, išvalykite.
	Švytuojančios eigos nustatymo svirtis yra padėtyje „0“.	▶ Nustatykite norimą padėtį.
Akumuliatorių išsenka greičiau negu įprastai.	Labai žema aplinkos temperatūra.	▶ Leiskite akumuliatoriui lėtai įšilti iki patalpos temperatūros.
Akumuliatorių neužsikreipia girdimu spragtelėjimu.	Akumuliatoriaus fiksatorius yra užterštas.	▶ Fiksatorių išvalykite ir iš naujo įdėkite akumuliatorių.
Prietaisas arba akumuliatorių stipriai kaista.	Elektrinis gedimas	▶ Prietaisą nedelsdami išjunkite, išimkite akumuliatorių ir stebėdami leiskite atvėsti, paskui susisiekite su <b>Hilti</b> techninės priežiūros centru.
Akumuliatoriaus šviesos diodai nieko nerodo	Akumuliatorių yra sugedęs	▶ Kreipkitės į <b>Hilti</b> techninės priežiūros centrą.

## 11 Utilizavimas



### ĮSPĖJIMAS

**Sužalojimo pavojus dėl netinkamo utilizavimo!** Išėinančios dujos ir ištekantis skystis kelia pavojų sveikatai.

- ▶ Pažeistų akumuliatorių nesiųskite paštu ir nepervežkite!
- ▶ Kad būtų išvengta trumpojo jungimo, jungtis uždenkite elektra nelaidžia medžiaga.
- ▶ Akumuliatorių utilizuokite taip, kad jie negalėtų patekti į vaikų rankas.
- ▶ Akumuliatorių pristatykite utilizuoti į savo **Hilti Store** arba kreipkitės į vietinę kompetentingą utilizavimo įmonę.



Didelė **Hilti** prietaisų dalis yra pagaminta iš medžiagų, kurias galima perdirbti. Būtina antrinio perdirbimo sąlyga yra tinkamas medžiagų išrūšiavimas. Daugelyje šalių **Hilti** priims Jūsų nebenaudojamą prietaisą perdirbti. Apie tai galite pasiteirauti artimiausiame **Hilti** techninės priežiūros centre arba savo prekybos konsultanto.



- ▶ Elektrinių įrankių, elektroninių prietaisų ir akumuliatorių neišmeskite į buitinius šiukšlynus!



## 12 Gamintojo teikiama garantija

- ▶ Kilus klausimų dėl garantijos sąlygų, kreipkitės į vietinį **Hilti** partnerį.

## 13 Daugiau informacijos

Daugiau informacijos apie valdymą, techniką, aplinką ir perdirbimą rasite šiuo adresu:  
**qr.hilti.com/manual/?id=2264217&id=2264218**


Šią nuorodą taip pat rasite dokumentacijos gale kaip QR kodą.



## Originalna navodila za uporabo

### 1 Informacije glede navodil za uporabo

#### 1.1 K tem navodilom za uporabo

- **Opozorilo!** Pred uporabo izdelka se prepričajte, da ste prebrali in razumeli navodila za uporabo, priložena izdelku, vključno z navodili, varnostnimi in drugimi opozorili, slikami in specifikacijami. Predvsem se seznanite z vsemi navodili, varnostnimi in drugimi opozorili, slikami, specifikacijami, sestavnimi deli in funkcijami. Če tega ne storite, lahko pride do električnega udara, požara in/ali hudih telesnih poškodb. Shranite navodila za uporabo, vključno z vsemi navodili ter varnostnimi in drugimi opozorili, za kasnejšo uporabo.
- Izdelki **HILTI** so namenjeni profesionalnim uporabnikom; uporablja, vzdržuje in servisira jih lahko le pooblaščen in ustrezno usposobljeno osebe. To osebe je treba dodatno poučiti o nevarnostih, ki se pojavljajo pri delu. Izdelek in njegovi pripomočki so lahko nevarni, če jih nepravilno uporablja nestrokovno osebe in če se uporabljajo v nasprotju z namembnostjo.
- Priložena navodila za uporabo ustrezajo tehničnim standardom v času tiska. Aktualna različica je vedno na voljo na spletu na strani z izdelki Hilti. Odprite povezavo ali poskenirajte kodo QR v teh navodilih za uporabo, ki je označena s simbolom .
- Izdelek predajte drugi osebi le s temi navodili za uporabo.

#### 1.2 Legenda

##### 1.2.1 Opozorila

Opozorila opozarjajo na nevarnosti pri delu z izdelkom. Uporabljajo se naslednje signalne besede:

##### NEVARNOST

##### NEVARNOST !

- ▶ Za neposredno grozečo nevarnost, ki lahko pripelje do težjih telesnih poškodb ali do smrti.

##### OPOZORILO

##### OPOZORILO !

- ▶ Za morebitno grozečo nevarnost, ki lahko povzroči težke telesne poškodbe ali smrt.

##### PREVIDNO

##### PREVIDNO !

- ▶ Za možno nevarnost, ki lahko pripelje do telesnih poškodb ali materialne škode.

##### 1.2.2 Simboli v navodilih za uporabo

V navodilih za uporabo se pojavljajo naslednji simboli:



	Upoštevajte navodila za uporabo
	Navodila za uporabo in druge uporabne informacije
	Ravnanje z materiali, ki jih je mogoče znova uporabiti
	Električnih orodij in akumulatorskih baterij ne odstranjujte s hišnimi odpadki
	<b>Hilti</b> Litij-ionska akumulatorska baterija
	<b>Hilti</b> Polnilnik

### 1.2.3 Simboli na slikah

Na slikah so uporabljeni naslednji simboli:

	Te številke označujejo slike na začetku teh navodil za uporabo.
3	Oštevilčenje na slikah prikazuje postopek po korakih in se lahko razlikuje od delovnih korakov v besedilu.
	Na sliki <b>Pregled</b> so uporabljene številke položajev, ki se nanašajo na številke v legendi poglavja <b>Pregled izdelka</b> .
	Ta znak opozarja, da morate biti pri uporabi izdelka še posebej pozorni.

## 1.3 Simboli, ki so vezani na izdelek

### 1.3.1 Dodatni simboli

V tej dokumentaciji ali na izdelku se lahko dodatno uporabljajo naslednji simboli:

$n_0$	Število gibov v praznem teku
	Enosmerni tok
Li-Ion	Litij-ionska akumulatorska baterija
	Izdelek podpira tehnologijo NFC, združljivo s platformama iOS in Android.
	Akumulatorske baterije nikoli ne uporabljajte kot orodje za udarjanje.
	Akumulatorske baterije nikoli ne izpusčite. Ne uporabljajte akumulatorske baterije, ki je bila podvržena udarcem ali je kako drugače poškodovana.

## 2 Varnost

### 2.1 Splošna varnostna opozorila za električna orodja

**⚠ OPOZORILO preberite vsa varnostna opozorila, navodila, slike in tehnične podatke, priložene temu električnemu orodju.** Posledice neupoštevanja naslednjih opozoril so lahko električni udar, požar in/ali hude telesne poškodbe.

**Vsa varnostna opozorila in navodila shranite za v prihodnje.**

Pojem "električno orodje", ki smo ga uporabili v varnostnih opozorilih, se nanaša na električno orodje za priklop na električno omrežje (s priključnim kablom) ali na električno orodje na baterijski pogon (brez priključnega kabla).

#### Varnost na delovnem mestu

- ▶ **Poskrbite, da bo vaše delovno mesto vedno čisto in dobro osvetljeno.** Nered ali neosvetljena delovna območja lahko povzročijo nezgode.
- ▶ **Prosimo, da električnega orodja ne uporabljate v okolju, kjer je nevarnost eksplozije in v katerem se nahajajo gorljive tekočine, plini ali prah.** Električna orodja povzročajo iskrenje, zato se gorljiv prah ali pare lahko vnamejo.



- ▶ **Ne dovolite otrokom in drugim osebam, da bi se med delom približale električnemu orodju.** Druge osebe lahko odvrnejo vašo pozornost in izgubili boste nadzor nad orodjem.

### Električna varnost

- ▶ **Priključni vtič električnega orodja mora ustrezati vtičnici. Vtiča pod nobenim pogojem ne smete spreminjati.** Uporaba adapterskih vtičev v kombinaciji z zaščitnim ozemljenim električnim orodjem ni dovoljena. Nespremenjen vtič in ustrezna vtičnica zmanjšujeta nevarnost električnega udara.
- ▶ **Izogibajte se telesnemu stiku z ozemljenimi površinami, na primer s cevmi, grelci, štedilniki in hladilniki.** Če je ozemljeno tudi vaše telo, obstaja povečano tveganje električnega udara.
- ▶ **Zavarujte električno orodje pred dežjem in vlago.** Vstop vode v električno orodje povečuje nevarnost električnega udara.
- ▶ **Električnega kabla ne uporabljajte za prenašanje ali obežanje električnega orodja ali za vlečenje vtiča iz vtičnice.** Električni kabel zavarujte pred vročino, oljem, ostrimi robovi ali stikom s premikajočimi se deli orodja. Poškodovan ali zavozlan električni kabel povečuje nevarnost električnega udara.
- ▶ **Če električno orodje uporabljate na prostem, uporabljajte samo podaljške, ki so primerni tudi za delo na prostem.** Uporaba podaljševalnega kabla, ki je primeren za uporabo na prostem, zmanjšuje nevarnost električnega udara.
- ▶ **Če se ne morete izogniti uporabi orodja v vlažnem okolju, uporabite zaščitno stikalo okvarnega toka.** Uporaba zaščitnega stikala okvarnega toka zmanjša tveganje električnega udara.

### Varnost oseb

- ▶ **Bodite zbrani in pazite, kaj delate.** Dela z električnim orodjem se lotite razumno. Nikoli ne uporabljajte orodja, če ste utrujeni ali pod vplivom drog, alkohola ali zdravil. Trenutek nepazljivosti pri uporabi električnega orodja lahko privede do resnih poškodb.
- ▶ **Uporabljajte osebno zaščitno opremo in vedno nosite zaščitna očala.** Uporaba osebne zaščitne opreme, na primer protiprašne maske, nedrsečih zaščitnih čevljev, zaščitne čelade in glušnikov, odvisno od vrste in načina uporabe električnega orodja, zmanjšuje tveganje telesnih poškodb.
- ▶ **Preprečite nenameren zagon orodja. Preden električno orodje priključite na električno omrežje in/ali akumulatorsko baterijo, ga dvignite ali nosite, se prepričajte, da je izključeno.** Če med prenašanjem električnega orodja prst držite na stikalu oziroma če na električno omrežje priključite vklopljeno orodje, lahko pride do nezgode.
- ▶ **Preden vklopite električno orodje, z njega odstranite nastavitvena orodja ali vijaki ključ.** Orodje ali ključ na vrtečem se delu orodja lahko privedeta do poškodb.
- ▶ **Izogibajte se neobičajni telesni drži. Poskrbite za varno stojišče in ohranite ravnotežje.** Tako boste lahko v nepričakovani situaciji bolje obvladali električno orodje.
- ▶ **Nosite primerna oblačila. Ne nosite širokih oblačil ali nakita. Lasje, oblačila in rokavice ne smejo priti v stik s premikajočimi se deli orodja.** Ne nosite ohlapne obleke ali nakita, ker ju lahko zagrabijo premikajoči se deli orodja.
- ▶ **Če je na orodje možno namestiti priprave za odsesavanje in prestrezanje prahu, se prepričajte, da so le-te priključene in jih uporabljate na pravilen način.** Uporaba priprav za odsesavanje prahu zmanjšuje ogroženost zaradi prahu.
- ▶ **Ne podcenjujte nevarnosti in vedno upoštevajte varnostna navodila za električna orodja, tudi, če ste po večkratni uporabi nanje že dobro navajeni.** Nepredvidno ravnanje lahko v delčku sekunde povzroči hude poškodbe.

### Uporaba električnega orodja in ravnanje z njim

- ▶ **Ne preobremenjujte orodja. Uporabljajte samo električno orodje, ki je predvideno za opravljanje vašega dela.** Z ustreznim električnim orodjem boste delali bolje in varneje v predvidenem območju zmogljivosti.
- ▶ **Ne uporabljajte električnega orodja, ki ima pokvarjeno stikalo.** Električno orodje, ki ga ni možno vklopiti ali izklopiti, je nevarno in ga je treba popraviti.
- ▶ **Pred nastavljanjem orodja, menjavo opreme in odlaganjem orodja izvlecite vtič iz vtičnice in/ali snemite odstranljivo akumulatorsko baterijo iz orodja.** Ta previdnostni ukrep onemogoča nepredviden zagon električnega orodja.
- ▶ **Električna orodja, ki jih ne uporabljate, shranjujte izven dosega otrok.** Orodja ne smejo uporabljati osebe, ki niso seznanjene z njegovim delovanjem oziroma niso prebrale teh navodil za uporabo. Električna orodja so nevarna, če jih uporabljajo neizkušene osebe.
- ▶ **Skrbno vzdržujte električna orodja in pribor. Preverite, ali premikajoči se deli delujejo brezhibno in se ne zatikajo, oziroma ali kakšen del orodja ni zlomljen ali poškodovan do te mere, da bi oviral delovanje električnega orodja. Pred ponovno uporabo je treba poškodovan del orodja popraviti.** Vzrok za številne nezgode so prav slabo vzdrževana električna orodja.



- ▶ **Rezalna orodja naj bodo ostra in čista.** Skrbno negovana rezalna orodja z ostrimi robovi se manj zatikajo in so boljše vodljiva.
- ▶ **Električno orodje, pribor, nastavke itd. uporabljajte v skladu s temi navodili. Pri tem upoštevajte delovne pogoje in vrsto dela, ki ga nameravate opravljati.** Uporaba električnega orodja v druge, nepredvidene namene, lahko privede do nevarnih situacij.
- ▶ **Ročaji in njihove površine morajo biti suhi, čisti ter brez olja in maščobe.** Če so ročaji in njihove površine spolzki, z orodjem ni mogoče varno rokovati in ga v primeru nepredvidljivih situacij obdržati pod nadzorom.

#### Uporaba akumulatorskega orodja in ravnanje z njim

- ▶ **Akumulatorske baterije polnite samo v polnilnikih, ki jih priporoča proizvajalec.** Na polnilniku, predvidenem za polnjenje določene vrste akumulatorskih baterij, lahko pride do požara, če ga uporabite za polnjenje drugih vrst akumulatorskih baterij.
- ▶ **Za pogon električnih orodij uporabljajte samo zanje predvidene akumulatorske baterije.** Uporaba drugačnih akumulatorskih baterij lahko povzroči telesne poškodbe in požar.
- ▶ **Akumulatorska baterija, ki ni v uporabi, ne sme priti v stik s pisarniškiimi sponkami, kovanci, ključi, žebliji, vijaki ali z drugimi kovinskimi predmeti, ki bi lahko povzročili premostitev kontaktov.** Kratek stik med kontakti akumulatorske baterije lahko povzroči opekline ali požar.
- ▶ **Pri napačni uporabi lahko iz akumulatorske baterije izteče tekočina. Izogibajte se stiku z njo. Če vseeno pride do stika, prizadeto mesto izperite z vodo. Če pride tekočina v oči, po izpiranju poiščite zdravniško pomoč.** Iztekajoča tekočina lahko povzroči draženje kože in opekline.
- ▶ **Ne uporabljajte poškodovanih ali spremenjenih akumulatorskih baterij.** Poškodovane in spremenjene akumulatorske baterije se lahko obnašajo nepredvidljivo in povzročijo požar, eksplozijo ali nevarnost poškodb.
- ▶ **Akumulatorske baterije ne izpostavljajte ognju ali previsokim temperaturam.** Ogenj in temperature nad 130 °C (265 °F) lahko povzročijo eksplozije.
- ▶ **Upoštevajte vsa navodila v zvezi s polnjenjem in akumulatorske baterije ali akumulatorskega orodja nikoli ne polnite pri temperaturi, ki je višja ali nižja od temperature, ki jo predpisujejo navodila.** Napačno polnjenje ali polnjenje pri temperaturi, višji ali nižji od dovoljene, lahko uniči akumulatorsko baterijo in poveča nevarnost požara.

#### Servis

- ▶ **Električno orodje lahko popravlja samo usposobljen strokovnjak, in to izključno z originalnimi nadomestnimi deli.** Le tako bo tudi v prihodnje zagotovljena varna raba orodja.
- ▶ **Poškodovanih akumulatorskih baterij nikoli ne popravljajte.** Vsa vzdrževalna dela naj opravlja samo proizvajalec ali pooblaščen serviser.

## 2.2 Varnostni predpisi za žage, ki se premikajo sem in tja.

- ▶ **Pri izvajanju del, pri katerih lahko pride do stika delovnega orodja s skritimi električnimi vodi, električno orodje držite samo za izolirane prijemalne površine.** Pri stiku z vodnikom pod napetostjo lahko napetost preide tudi na kovinske dele orodja in povzroči električni udar.
- ▶ **Nastavek pritrдите s sponami ali na kateri koli drug način na stabilno podlago.** Če držite obdelovanec samo z roko ali proti svojemu telesu, lahko ostane labilen, kar lahko vodi do izgube nadzora.

## 2.3 Dodatna varnostna opozorila

- ▶ Izdelek in pribor uporabljajte samo v tehnično brezhibnem stanju.
- ▶ Izdelka ali pribora nikoli in na noben način ne spreminjajte.
- ▶ Preden začnete z delom, preverite, ali so v delovnem območju skriti električni vodi, plinske in vodovodne cevi. Zunanji kovinski deli na izdelku lahko povzročijo električni udar ali eksplozijo, če nehote poškodujete električni vod pod napetostjo, plinsko ali vodno cev.
- ▶ Poskrbite, da se prezračevalne reže ne zapolnijo. Nevarnost opeklin zaradi pokritih prezračevalnih rež!
- ▶ Med uporabo izdelka vedno nosite zašito za oči in sluh ter rokavice.
- ▶ Uporabljajte zaščito za oči. Drobcji, ki odletavajo, lahko poškodujejo telo in oči.



- ▶ Prah, ki nastane pri brušenju, rezanju in vrtnanju, lahko vsebuje nevarne kemikalije. Nekaj primerov za to: svinec ali barve na osnovi svinca; opeke, beton in drugi zidarski izdelki, naravni kamen in drugi izdelki s silikatom; določene vrste lesa, kot sta hrast ali bukev, in kemično obdelan les; azbest ali materiali, ki vsebujejo azbest. Določite izpostavljenost upravljavca in oseb v okolici s pomočjo razreda nevarnosti materiala, na katerem se izvajajo dela. Sprejmite vse potrebne ukrepe, da vzdržujete izpostavljenost na varni stopnji, npr. z uporabo sistema za zbiranje prahu ali pa nošenje primerne dihalne zaščite. K splošnim ukrepom za znižanje izpostavljenosti spadajo:
  - ▶ delo v dobro prezračenih prostorih,
  - ▶ preprečevanje daljšega stika s prahom,
  - ▶ odvajanje prahu stran od obraza in telesa,
  - ▶ nošenje zaščitnih oblačil in čiščenje izpostavljenih predelov z vodo in milom.
- ▶ Nevarnost poškodb zaradi padca orodja in/ali pribora. Pred začetkom dela se prepričajte, da sta akumulatorska baterija in nameščen pribor varno pritrjena.
- ▶ Izdelek vklopite šele takrat, ko je v delovnem položaju.
- ▶ Izdelek vedno trdno držite za ta namen predvidene ročaje. Ročaja morata biti suha in čista.
- ▶ Med delom si privoščite odmor in razgibalne vaje za boljše prekrvavitev prstov. Pri daljšem delu lahko močni tresljaji povzročijo motnje prekrvavitve in živčnega sistema na prstih, rokah ali zapestjih.
- ▶ Ne usmerjajte pogleda neposredno v osvetlitev (LED-diode) in ne svetite drugim osebam v obraz. Sicer obstaja nevarnost zaslepitve!
- ▶ Preden izdelek odložite, počakajte, da se ustavi.
- ▶ Pri menjavi nastavka uporabite zaščitne rokavice. Če se dotaknete nastavkov, se lahko urežete in opečete!

#### **Posebni varnostni predpisi za vbodne žage**

- ▶ Med žaganjem vedno vodite izdelek stran od telesa.
- ▶ Rok nikoli ne postavljajte pred ali na žagin list.
- ▶ Nikoli ne žagajte neznanih površin: na začrtani poti žaganja ne sme biti ovir – tako zgoraj kot spodaj.
- ▶ Med žaganjem ne segajte z roko pod obdelovanca.

#### **2.4 Skrbno ravnanje z akumulatorskimi baterijami in njihova uporaba**

- ▶ **Upošteвайте naslednja navodila za varno uporabo litij-ionskih akumulatorskih baterij.** Če navodil ne boste upoštevali, lahko pride do draženja kože, težkih korozijskih poškodb, kemičnih opeklin, požarov in/ali eksplozij.
- ▶ Akumulatorske baterije uporabljajte samo v tehnično brezhibnem stanju.
- ▶ Z akumulatorskimi baterijami ravnajte skrbno, da preprečite poškodbe in izstopanje tekočine, saj lahko to ogrozi vaše zdravje!
- ▶ Na akumulatorskih baterijah ne smete nikoli izvajati sprememb ali z njimi slabo ravnati!
- ▶ Akumulatorskih baterij ni dovoljeno razstavljati, stiskati, segrevati na temperaturo nad 80 °C (176 °F) ali sežigati.
- ▶ Ne uporabljajte in polnite akumulatorskih baterij, ki so bile podvržene udarcem ali so kako drugače poškodovane. Redno pregledujte akumulatorske baterije glede znakov poškodb.
- ▶ Nikoli ne uporabljajte recikliranih ali popravljenih akumulatorskih baterij.
- ▶ Akumulatorske baterije ali električnega orodja z vstavljeno akumulatorsko baterijo ne uporabljajte kot udarno orodje.
- ▶ Akumulatorskih baterij nikoli ne izpostavljajte neposredni sončni svetlobi, visoki temperaturi, iskrenju ali odprtemu plamenu. To lahko privede do eksplozij.
- ▶ Polov baterij se ne dotikajte s prsti, orodji, nakitom ali kakršnimi koli drugimi električno prevodnimi predmeti. Zaradi tega lahko pride do poškodb akumulatorske baterije ter materialne škode in telesnih poškodb.
- ▶ Akumulatorske baterije zavarujte pred dežjem, vlago in tekočinami. Vdor vlage lahko povzroči kratek stik, električni udar, opekline, požar in eksplozije.
- ▶ Uporabljajte le električna orodja in polnilnike, ki so namenjeni temu tipu akumulatorskih baterij. Pri tem upoštevajte navodila v ustreznih navodilih za uporabo.
- ▶ Akumulatorske baterije ne uporabljajte ali skladiščite v okolici, kjer obstaja nevarnost eksplozij.





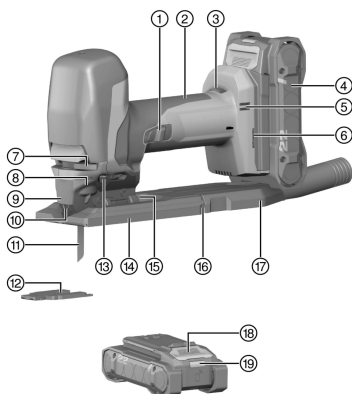
- ▶ Če je akumulatorska baterija prevroča, da bi se je dotaknili, je morda v okvari. Akumulatorsko baterijo odložite na vidno in negorljivo mesto na zadostni razdalji stran od gorljivih materialov. Počakajte, da se akumulatorska baterija ohladi. Če je akumulatorska baterija po eni uri še vedno prevroča, da bi jo prijeli, potem je v okvari. Obrnite se na servisno službo **Hilti** ali preberite dokument "Varnostni napotki in navodila za uporabo za litij-ionske akumulatorske baterije **Hilti**".

Upoštevajte posebne direktive za transport, skladiščenje in uporabo litij-ionskih akumulatorskih baterij. 66

Preberite varnostne napotke in navodila za uporabo za litij-ionske akumulatorske baterije **Hilti**, ki jih lahko priključite s skeniranjem kode QR na koncu teh navodil za uporabo.

### 3 Opis

#### 3.1 Pregled izdelka



- ① Stikalo za vklop in izklop
- ② Ročaj
- ③ Kolesce za nastavljanje števila gibov
- ④ Akumulatorska baterija
- ⑤ Prezračevalne reže
- ⑥ Odprtina za montažo za pribor
- ⑦ Ročica za deblokiranje žaginega lista
- ⑧ Vpenjalna glava
- ⑨ Pokrov
- ⑩ Zaščita pred dotikom
- ⑪ Žagin list
- ⑫ Zaščita pred odlomom
- ⑬ Ročica za nastavitev nihajnega giba
- ⑭ Osnovna plošča
- ⑮ Skaliranje za nastavitev kota rezanja
- ⑯ Kavelj
- ⑰ Adapter za odsesavanje
- ⑱ Tipka za sprostitve akumulatorske baterije
- ⑲ Indikator stanja akumulatorske baterije

#### 3.2 Namenska uporaba

Opisani izdelek je ročno vodena akumulatorska vbodna žaga. Namenjena je žaganju umetnih materialov, lesa in kovin, kakor tudi plošč iz gipsa in vlaken.

Izdelek je opremljen s snemljivim priključnim nastavkom za običajne cevi sesalcev za prah, ki so na voljo kot dodatna oprema. Za priklp sesalne cevi sesalnika za prah na izdelek boste morda potrebovali ustrezen adapter.

- Za ta izdelek uporabljajte le litij-ionske akumulatorske baterije **Hilti** Nuron iz vrste modelov B 22. Za optimalno zmogljivost **Hilti** za ta izdelek priporoča uporabo akumulatorskih baterij, navedenih v preglednici na koncu teh navodil za uporabo.
- Za te akumulatorske baterije uporabljajte le polnilnike **Hilti** vrst modelov, navedenih v preglednici na koncu navodil za uporabo.
- Za ta izdelek uporabljajte samo žagine liste s steblov v obliki črke T (steblo z enim odmikačem).

#### 3.3 Možne napačne uporabe

- Izdelka ne uporabljajte za žaganje vej in debel.
- Ta izdelek ni primeren za obdelavo zdravju škodljivih snovi.
- Ta izdelek ni primeren za delo v vlažnem okolju.



### 3.4 Prikaz litij-ionske akumulatorske baterije

Litij-ionske akumulatorske baterije **Hilti** Nuron lahko prikažejo stanje napolnjenosti, sporočila o napakah in stanje akumulatorske baterije.

#### 3.4.1 Prikazi za stanje napolnjenosti in sporočila o napakah

##### OPOZORILO

##### Nevarnost poškodb zaradi padajoče akumulatorske baterije!

- Ko je akumulatorska baterija vstavljena in po pritisku tipke za sprostitve se prepričajte, da ste akumulatorsko baterijo znova pravilno vstavili v uporabljen izdelek.

Za dostop do enega od naslednjih prikazov na kratko pritisnite na tipko za sprostitve akumulatorske baterije. Stanje napolnjenosti ter morebitne motnje so trajno prikazane, dokler je priključen izdelek vklopljen.

Stanje	Pomen
Štiri (4) LED-diode neprekinjeno svetijo zeleno	Stanje napolnjenosti: 100 % do 71 %
Tri (3) LED-diode neprekinjeno svetijo zeleno	Stanje napolnjenosti: 70 % do 51 %
Dve (2) LED-diodi neprekinjeno svetita zeleno	Stanje napolnjenosti: 50 % do 26 %
Ena (1) LED-dioda neprekinjeno sveti zeleno	Stanje napolnjenosti: 25 % do 10 %
Ena (1) LED-dioda počasi utripa zeleno	Stanje napolnjenosti: < 10 %
Ena (1) LED-dioda hitro utripa zeleno	Litij-ionska akumulatorska baterija je popolnoma prazna. Napolnite akumulatorsko baterijo. Če LED-dioda po polnjenju akumulatorske baterije še vedno hitro utripa, se obrnite na servisno službo <b>Hilti</b> .
Ena (1) LED-dioda hitro utripa rumeno	Litij-ionska akumulatorska baterija in z njo povezan izdelek sta preobremenjena, prevroča ali prehladna oz. je prisotna druga napaka. Poskrbite, da bo temperatura izdelka in akumulatorske baterije ustrezala priporočeni delovni temperaturi in izdelka med uporabo ne preobremenjujte. Če sporočilo ne izgine, se obrnite na servisno službo <b>Hilti</b> .
Ena (1) LED-dioda sveti rumeno	Litij-ionska akumulatorska baterija in povezan izdelek nista združljiva. Obrnite se na servisno službo <b>Hilti</b> .
Ena (1) LED-dioda hitro utripa rdeče	Litij-ionska akumulatorska baterija je zaklenjena in je ne morete uporabiti. Obrnite se na servisno službo <b>Hilti</b> .

#### 3.4.2 Prikazi stanja akumulatorske baterije

Za priklic stanja akumulatorske baterije držite tipko za sprostitve za več kot tri sekunde. Sistem ne prepozna morebitnega napačnega delovanja baterije zaradi nepravilne uporabe, npr. padca, vbodov, zunanjih toplotnih poškodb itd.

Stanje	Pomen
Vse LED-diode zasvetijo ena za drugo in nato sveti ena (1) LED-dioda neprekinjeno zeleno.	Akumulatorsko baterijo lahko še vedno uporabljate.
Vse LED-diode zasvetijo ena za drugo in nato utripa ena (1) LED-dioda hitro rumeno.	Odčitavanje stanja akumulatorske baterije se ni moglo zaključiti. Ponovite postopek ali pa se obrnite na servisno službo <b>Hilti</b> .
Vse LED-diode zasvetijo ena za drugo in nato sveti ena (1) LED-dioda neprekinjeno rdeče.	Če lahko priključen izdelek še naprej uporabljate, je preostanek zmogljivosti akumulatorske baterije pod 50 %. Če priključenega izdelka ni mogoče več uporabljati, je akumulatorska baterija na koncu življenjske dobe in jo morate zamenjati. Obrnite se na servisno službo <b>Hilti</b> .



### 3.5 Naprava za odpihovanje odrezkov

Naprava za odpihovanje odrezkov dovaja na žagin list zračni tok, ki odstranjuje odrezke s črte reza.

### 3.6 Število gibov

Število gibov lahko nastavite na kolescu za nastavitvev. Položaj 1 ustreza 800 gibom na minuto, položaj 6 pa 3000 gibom na minuto.

### 3.7 4-stopenjsko nihanje

S štiristopenjskim nihanjem lahko prilagodimo zmogljivost reza in prerez obdelovanemu materialu. Z ročico za nastavitvev nihajnega giba lahko preklapljammo med štirimi stopnjami.

Manjša kot je stopnja nihanja, bolj čist in fin bo rob reza. Optimalno nastavitvev lahko ugotovimo s praktičnim preizkusom.

Stanje	Pomen
0. stopnja	Brez nihanja
1. stopnja	Majhno nihanje
2. stopnja	Srednje nihanje
3. stopnja	Veliko nihanje

### 3.8 Zaščita pred odlomom

Izdelek je možno dodatno opremiti z zaščito pred odlomom.

Z zaščito pred odlomom se prepreči odlom površine med žaganjem lesa.

### 3.9 Samodejen izklop izdelka

Če je stikalo za vklop/izklop neprekinjeno pritisnjeno več kot 15 minut (npr. med transportom ali pri skladiščenju), se izdelek samodejno izklopi. Tako se prepreči izpraznjenje akumulatorske baterije.

### 3.10 Obseg dobave

Vbodna žaga z žaginin listom, pokrovom, adapterjem za odsesavanje, zaščito pred odlomom, navodilom za uporabo, šestrobim ključem.

Druge sistemske izdelke, ki so dovoljeni za vaš izdelek, najdete v centru **Hilti Store** ali na spletni strani: [www.hilti.group](http://www.hilti.group)

## 4 Tehnični podatki

### 4.1 vbodna žaga

	SJT 6-22
Generacija izdelka	02
Nazivna napetost	21,6 V
Teža v skladu z EPTA Procedure 01 brez akumulatorske baterije	2,1 kg
Višina giba	28 mm
Število gibov v praznem teku (n <sub>e</sub> )	800 vrt/min ... 3.000 vrt/min
Maksimalna zmogljivost rezanja lesa	150 mm
Maksimalna zmogljivost rezanja aluminija	25 mm
Maksimalna zmogljivost rezanja nelegiranega jekla	10 mm
Kot rezanja (levo/desno)	0° ... 45°
Zunanji premer adapterja za odsesavanje	27,5 mm
Temperatura skladiščenja	-20 °C ... 70 °C
Temperatura okolice med delovanjem	-17 °C ... 60 °C



## 4.2 Informacije o hrupu in vrednosti nihanja

Vrednosti zvočnega tlaka in treslajev, ki so navedene v teh navodilih, so izmerjene v skladu s standardnim merilnim postopkom in se lahko uporabijo za medsebojno primerjavo električnih orodij. Primerne so tudi za prehodno oceno izpostavljenosti.

Navedeni podatki ponazarjajo dejansko uporabo električnega orodja. Če električno orodje uporabljate za druge namene, z neustreznimi nastavki ali ga ne vzdržujete pravilno, lahko vrednosti odstopajo. To lahko znatno poveča izpostavljenosti v celotnem delovnem časovnem obdobju.

Za točno oceno izpostavljenosti je treba upoštevati tudi čas, ko je električno orodje izključeno ali pa deluje, a ni dejansko v uporabi. To lahko znatno zmanjša izpostavljenosti v celotnem delovnem časovnem obdobju. Upoštevajte dodatne varnostne ukrepe za zaščito uporabnika pred učinkom zvoka in/ali treslaji, na primer: Vzdrževanje električnega orodja in nastavkov, zaščita rok pred mrzom in organizacija poteka dela.



Za podrobne informacije o uporabljenih različicah standardov **EN 62841** glejte kopijo izjave o skladnosti 250.

### Vrednosti emisij hrupa

	<b>SJT 6-22</b>
<b>Raven zvočne moči (<math>L_{WA}</math>)</b>	99 dB(A)
<b>Negotovost ravni zvočne moči (<math>K_{WA}</math>)</b>	5 dB(A)
<b>Raven zvočnega tlaka (<math>L_{pA}</math>)</b>	91 dB(A)
<b>Negotovost ravni zvočnega tlaka (<math>K_{pA}</math>)</b>	5 dB(A)

### Skupne vrednosti treslajev

		<b>SJT 6-22</b>
<b>Vrednost treslajev pri žaganju ivernih plošč (<math>a_{h,B}</math>)</b>	<b>B 22-55</b>	5,2 m/s <sup>2</sup>
	<b>B 22-255</b>	5,3 m/s <sup>2</sup>
<b>Emisijska vrednost treslajev pri žaganju kovinskih plošč (<math>a_{h,M}</math>)</b>	<b>B 22-55</b>	8,5 m/s <sup>2</sup>
	<b>B 22-255</b>	7,2 m/s <sup>2</sup>
<b>Negotovost (K)</b>		1,5 m/s <sup>2</sup>

## 4.3 Akumulatorska baterija

<b>Delovna napetost akumulatorske baterije</b>	21,6 V
<b>Teža akumulatorske baterije</b>	Glejte konec teh navodil za uporabo
<b>Temperatura okolice med delovanjem</b>	-17 °C ... 60 °C
<b>Temperatura skladiščenja</b>	-20 °C ... 40 °C
<b>Temperatura akumulatorske baterije ob začetku polnjenja</b>	-10 °C ... 45 °C

## 5 Priprava dela



### OPOZORILO

#### Nevarnost poškodb zaradi nenamernega vklopa!

- ▶ Pred vstavljanjem akumulatorske baterije se prepričajte, da je pripadajoči izdelek izključen.
- ▶ Pred nastavljanjem orodja ali menjavo pribora odstranite akumulatorsko baterijo.

Upoštevajte varnostna navodila in opozorila v tej dokumentaciji in na izdelku.

### 5.1 Polnjenje akumulatorske baterije

1. Pred polnjenjem preberite navodila za uporabo polnilnika.
2. Pazite na to, da so stiki akumulatorske baterije in polnilnika čisti in suhi.
3. Akumulatorsko baterijo polnite samo z odobrenim polnilnikom. 59



## 5.2 Vstavljanje akumulatorske baterije

### OPOZORILO

#### Nevarnost poškodb zaradi kratkega stika ali izpadle akumulatorske baterije!

- ▶ Preden vstavite akumulatorsko baterijo v orodje, se prepričajte, da na stikih akumulatorske baterije in orodja ni tujkov.
  - ▶ Vedno poskrbite, da se akumulatorska baterija pravilno zaskoči.
- 
1. Akumulatorsko baterijo pred prvo uporabo napolnite do konca.
  2. Potisnite akumulatorsko baterijo v izdelek, da se slišno zaskoči.
  3. Preverite, ali je akumulatorska baterija pravilno in varno nameščena v orodju.

## 5.3 Odstranjevanje akumulatorske baterije

1. Pritisnite gumb za sprostitvev akumulatorske baterije.
2. Odstranite akumulatorsko baterijo iz izdelka.

## 5.4 Vstavljanje žaginega lista

1. Žagin list potisnite (z zobmi v smeri žaganja) v vpenjalno glavo, da se zaskoči.
2. Povlecite žagin list, da se prepričate, ali je pravilno nameščen.

## 5.5 Namestitev pokrova

- ▶ Porinite pokrov s sprednje strani na izdelek, da se zaskoči.



Pokrov lahko namestite samo, če je osnovna plošča v običajnem položaju (kot rezanja 0°). 64

## 5.6 Montaža adapterja za odsesavanje

1. Potisnite adapter za odsesavanje z zadnje strani vodoravno v osnovno ploščo, tako da se bosta oba kavolja na straneh zaskočila.
2. Priključite cev sesalnika za prah na adapter za odsesavanje.

## 5.7 Montaža zaščite pred odlomom

- ▶ Potisnite zaščito pred odlomom s spodnje strani v osnovno ploščo.



Zaščita pred odlomom se lahko uporablja samo za žagine liste, ki so predvideni za to.

Zaščito pred odlomom lahko namestite samo, če je osnovna plošča v običajnem položaju (kot rezanja 0°). 64

## 5.8 Varovanje pred padcem

### OPOZORILO

#### Nevarnost poškodb zaradi padajočega orodja in/ali pribora!

- ▶ Uporabljajte samo držalno zanko za orodje **Hilti**, ki se priporoča za vaše orodje.
- ▶ Pred vsako uporabo preverite pritrdilne točke držalne zanke za orodje glede morebitnih poškodb.
- ▶ Držalne zanke za orodje ne pritrdite na kavelj za pas. Kavlja za pas ne uporabljajte za dviganje izdelka.



Upoštevajte nacionalne smernice za delo na višini.

Kot varovalo pred padcem izdelka uporabite izključno kombinacijo varovala pred padcem **Hilti** in držalne zanke za orodje **Hilti** #2261970.

- ▶ Varovalo pred padcem pritrdite v odprtine za montažo pribora. Preverite, ali je zanesljivo pritrjeno.



- ▶ Vponko varovalne zanke za orodje na varovalu pred padcem in drugo vponko pritrдите na nosilno strukturo. Preverite, ali sta obe vponki zanesljivo pritrjeni.



Upoštevajte navodila za uporabo varovala pred padcem **Hilti** in držalne zanke za orodje **Hilti**.

## 6 Uporaba

Upoštevajte varnostna navodila in opozorila v tej dokumentaciji in na izdelku.

### 6.1 Uporabljajte sistem za odsesavanje prahu



Odsesavanje prahu zmanjšuje obremenitev s prahom, zaradi boljše vidljivosti reza povečuje varnost pri delu in preprečuje večjo obremenitev delovnega mesta s prahom in odrezki.

1. Namestite pokrov. 63
2. Vedno uporabite sistem za odsesavanje prahu, kadar dlje časa obdelujete les ali material, pri katerem lahko pride do nastanka višje koncentracije prahu.

### 6.2 Nastavitev kota rezanja

1. Demontirajte adapter za odsesavanje. 64
2. Sprostite vijak na osnovni plošči.
3. Nastavite zelen kot rezanja (od 0° do 45° v obe smeri).
  - ▶ Pri kotu rezanja 0° je osnovna plošča v položaju, kjer je zavarovana pred vrtenjem. Za nastavitev kota rezanja je treba osnovno ploščo najprej povleci nazaj.
  - ▶ Če prestavite osnovno ploščo na kot rezanja 0°, jo je treba nato znova potisniti naprej, da se zaskoči v položaju, kjer se ne vrti.
4. Ponovno zategnite vijak.
  - ▶ Osnovna plošča je zategnjena.

### 6.3 Vkllop



Z varovalno funkcijo se zagotovi, da se izdelek ne zažene, če je izdelek vklopljen in se šele po tem vstavi akumulatorska baterija.

Stikalo za vklop/izklop potisnite nazaj in nato znova naprej.

- ▶ Stikalo za vklop/izklop potisnite naprej.

### 6.4 Potopno žaganje

1. Prestavite ročico za nastavljanje nihajnega giba v položaj 0.
2. Izdelek namestite tako, da sprednji rob osnovne plošče nalega na obdelovanec.
3. Trdno primite izdelek in pritisnite stikalo za vklop/izklop.
4. Pritisnite izdelek trdno v obdelovanec in potopite žagin list z zmanjševanjem vpadnega kota.
5. Ko ste prebili obdelovanec, postavite izdelek v normalni delovni položaj.
  - ▶ Osnovna plošča v celoti nalega.
6. Nadaljujte z žaganjem vzdolž črte reza.

### 6.5 Izklop

- ▶ Stikalo za vklop/izklop potisnite nazaj.

## 7 Demontaža

### 7.1 Demontaža adapterja za odsesavanje

1. Oba kavlja potisnite navznoter.
2. Povlecite adapter za odsesavanje z osnovne plošče v smeri proti zadnji strani.
3. Povlecite cev sesalnika za prah z adapterja za odsesavanje.



## 7.2 Odstranjevanje pokrova

- ▶ Pokrov rahlo nagnite in ga povlecite naprej.

## 7.3 Izmet žaginega lista

### OPOZORILO

**Nevarnost poškodb.** Nenadzorovan izmet žaginega lista lahko povzroči poškodbe.

- ▶ Pri izmetu žaginega lista držite izdelek tako, da žagin list ne more poškodovati ljudi ali živali.
- ▶ Premaknite ročico za deblokiranje žaginega lista vstran do končne lege.
  - ▶ Žagin list se deblokira in izvrže.

## 8 Nega in vzdrževanje

### OPOZORILO

**Nevarnost poškodb, kadar je nameščena akumulatorska baterija !**

- ▶ Pred servisnimi in vzdrževalnimi deli vedno odstranite akumulatorsko baterijo!

### Nega izdelka

- Previdno odstranite sprijeto umazanijo.
- Morebitne prezračevalne reže previdno očistite s suho in mehko ščetko.
- Ohišje čistite le z rahlo vlažno krpo. Za čiščenje ne uporabljajte čistil, ki vsebujejo silikon, ker lahko poškodujejo plastične dele.
- Za čiščenje kontaktov izdelka uporabite čisto in suho krpo.

### Nega litij-ionskih akumulatorskih baterij

- Nikoli ne uporabite akumulatorske baterije z zamašenimi prezračevalnimi režami. Prezračevalne reže previdno očistite s suho in mehko ščetko.
- Poskrbite, da akumulatorska baterija ne bo prekomerno izpostavljena prahu ali umazaniji. Akumulatorske baterije nikoli ne izpostavljajte visoki vlagi (npr. s potapljanjem v vodo ali puščanjem na dežju). Če je akumulatorska baterija premočena, ravnajte z njo kot s poškodovano akumulatorsko baterijo. Izolirajte jo v negorljivi posodi in se obrnite na servisno službo **Hilti**.
- Akumulatorska baterija ne sme priti v stik z oljem in maščobo iz drugih virov. Ne dovolite, da se na akumulatorski bateriji nabira prah ali umazanija. Akumulatorsko baterijo očistite s suho, mehko ščetko ali čisto, suho krpo. Za čiščenje ne uporabljajte čistil, ki vsebujejo silikon, ker lahko poškodujejo plastične dele. Ne dotikajte se kontaktov akumulatorske baterije in ne odstranjujte tovarniško nameščenega sloja maščobe s kontaktov.
- Ohišje čistite le z rahlo vlažno krpo. Za čiščenje ne uporabljajte čistil, ki vsebujejo silikon, ker lahko poškodujejo plastične dele.

### Vzdrževanje

- Redno preverjajte, ali so vidni deli orodja nepoškodovani in ali elementi za upravljanje delujejo brezhibno.
- Izdelka ne uporabljajte, če je poškodovan in/ali ne deluje brezhibno. Izdelek naj nemudoma popravijo pri servisni službi **Hilti**.
- Po končani negi in vzdrževanju namestite vse zaščitne naprave in preverite, ali delujejo brezhibno.



Za varno uporabo uporabite le originalne nadomestne dele in potrošne materiale. Seznam odobrenih nadomestnih delov, potrošnih materialov in pribora **Hilti** najdete v vašem centru **Hilti Store** ali na spletni strani: [www.hilti.group](http://www.hilti.group)

## 8.1 Čiščenje adapterja za odsesavanje

1. Demontirajte adapter za odsesavanje. 64
2. Očistite adapter za odsesavanje.
3. Preverite, ali sta kavlja nepoškodovana.
4. Montirajte adapter za odsesavanje. 63



## 8.2 Čiščenje žaginih listov

1. Z uporabljenih žaginih listov je treba redno odstranjevati smolo.
2. Žagine liste položite za 24 ur v petrolej ali drugo sredstvo za odstranjevanje smole.

## 9 Transport in skladiščenje akumulatorskih orodij in akumulatorskih baterij

### Transport

#### PREVIDNO

#### Nenameren vklop med transportom !

- ▶ Izdelke vedno transportirajte brez nameščene akumulatorske baterije!
- ▶ Odstranite akumulatorsko baterijo/akumulatorske baterije.
- ▶ Akumulatorskih baterij nikoli ne prevažajte nezaščitenih med drugimi predmeti. Med transportom morajo biti akumulatorske baterije zaščitene pred udarci in vibracijami ter izolirane od kakršnih koli prevodnih materialov in drugih akumulatorskih baterij, tako da ne morejo priti v stik z drugimi poli baterij, kar lahko privede do kratkega stika. **Upoštevajte nacionalne predpise za transport akumulatorskih baterij.**
- ▶ Akumulatorskih baterij ne smete pošiljati po pošti. Če želite pošiljati nepoškodovane akumulatorske baterije, se obrnite na dostavno podjetje.
- ▶ Pred vsako uporabo ter pred in po daljšem transportu preglejte, ali sta izdelek in akumulatorska baterija poškodovana.

### Skladiščenje

#### OPOZORILO

#### Nenamerna poškodba zaradi poškodovanih akumulatorskih baterij oz. akumulatorskih baterij, iz katerih se izteka tekočina. !

- ▶ Izdelke vedno shranjujte brez nameščene akumulatorske baterije!
- ▶ Izdelek in akumulatorske baterije hranite na hladnem in suhem mestu. Upoštevajte mejne vrednosti temperature, ki so navedene v tehničnih podatkih.
- ▶ Akumulatorskih baterij ne shranjujte v polnilniku. Po polnjenju vedno odstranite akumulatorsko baterijo s polnilnika.
- ▶ Akumulatorskih baterij ne puščajte na soncu, na toplotnih virih ali za steklom.
- ▶ Izdelek in akumulatorske baterije skladiščite izven dosega otrok ter nepooblaščenih oseb.
- ▶ Pred vsako uporabo ter pred in po daljšem transportu preglejte, ali sta izdelek in akumulatorska baterija poškodovana.

## 10 Pomoč pri motnjah

Pri vseh motnjah upoštevajte stanje napoljenosti in prikaz napak akumulatorske baterije. Glejte poglavje **Priказ litij-ionske akumulatorske baterije**.

V primeru motenj, ki niso navedene v tej preglednici oziroma jih sami ne znate odpraviti, se obrnite na naš servis **Hilti**.

Motnja	Možen vzrok	Rešitev
Žagin list izpada.	Žagin list ni pravilno fiksiran.	<ul style="list-style-type: none"> <li>▶ Ponovite postopek fiksiranja.</li> <li>▶ Ponovite postopek vpenjanja, pazite na to, da bo glava za vpenjanje orodja popolnoma odprta in da je žagin list pritisnjen proti sili upora.</li> </ul>
	Umazan vpenjalni sistem.	<ul style="list-style-type: none"> <li>▶ Očistite glavo za vpenjanje orodja.</li> </ul>
Žaginega lista ni mogoče vstaviti.	Umazan vpenjalni sistem.	<ul style="list-style-type: none"> <li>▶ Očistite glavo za vpenjanje orodja.</li> </ul>
Ni mogoče nastaviti nihajnega giba.	Utor nihajne vilice je umazan.	<ul style="list-style-type: none"> <li>▶ Očistite umazanijo z matice nihajne ročice.</li> </ul>
Nihajni gib ne deluje.	Nihajni mehanizem je umazan.	<ul style="list-style-type: none"> <li>▶ Preglejte okolico nihajne vilice in odstranite umazanijo.</li> </ul>





Motnja	Možen vzrok	Rešitev
Nihajni gib ne deluje.	Ročica za nastavljanje nihajnega giba v položaju "0".	► Nastavite želeno vrednost.
Akumulatorska baterija se prazni hitreje kot običajno.	Zelo nizka temperatura okolice.	► Pustite, da se akumulatorska baterija počasi segreje na sobno temperaturo.
Akumulatorska baterija se pri namestitvi ne zaskoči slišno.	Zaskočni mehanizem na akumulatorski bateriji je umazan.	► Očistite zaskočni mehanizem in ponovno vstavite akumulatorsko baterijo.
Močno segrevanje izdelka ali akumulatorske baterije.	Električna napaka	► Izdelek takoj izključite, odstranite akumulatorsko baterijo in jo opazujte, počakajte, da se ohladi, ter se obrnite na servis <b>Hilti</b> .
LED-diode akumulatorske baterije ne prikazujejo ničesar	Akumulatorska baterija je v okvari	► Obrnite se na servisno službo <b>Hilti</b> .

## 11 Odstranjevanje

### OPOZORILO

**Nevarnost poškodb zaradi nepravilnega odstranjevanja!** Nevarnost za zdravje zaradi izstopajočih plinov ali tekočin.

- Poškodovanih akumulatorskih baterij ne pošiljajte!
- Priključke pokrijte z neprevodnim materialom, tako da preprečite morebiten kratki stik.
- Akumulatorske baterije shranjujte zunaj dosega otrok.
- Akumulatorsko baterijo oddajte v trgovini **Hilti Store** ali pa se obrnite na pristojno podjetje za odstranjevanje odpadkov.

Naprave **Hilti** so pretežno izdelane iz materialov, ki jih je mogoče znova uporabiti. Pogoj za ponovno uporabo materialov je ustrezno razvrščanje materiala. V mnogih državah servisi **Hilti** prevzamejo vaše odsluženo orodje. O tem se pozanimajte pri servisni službi **Hilti** ali svojem prodajnem svetovalcu.



- Električnih orodij, naprav in akumulatorskih baterij ne zavrzite skupaj z gospodinjstvi odpadki!

## 12 Proizvajalčeva garancija

- V primeru vprašanj o garancijskih pogojih se obrnite na lokalnega partnerja **Hilti**.

## 13 Dodatne informacije

Dodatne informacije o uporabi, tehnologiji, varstvu okolja in recikliranju najdete na naslednji povezavi: [qr.hilti.com/manual/?id=2264217&id=2264218](https://qr.hilti.com/manual/?id=2264217&id=2264218)  
Povezava je na voljo tudi na koncu tega dokumenta v obliki kode QR.



# Originalne upute za uporabu

## 1 Podaci o uputi za uporabu

### 1.1 Uz ove upute za uporabu

- **Upozorenje!** Prije korištenja proizvoda trebate pročitati i razumjeti upute za uporabu koje su priložene proizvodu uključujući naputke, sigurnosne i upozoravajuće napomene, ilustracije i specifikacije. Upoznajte se posebice sa svim naputcima, sigurnosnim i upozoravajućim napomenama, ilustracijama, specifikacijama, te sastavim dijelovima i funkcijama. U slučaju nepridržavanja postoji opasnost od električnog udara, požara i/ili teških ozljeda. Upute za uporabu uključujući naputke, sigurnosne i upozoravajuće napomene sačuvajte za kasniju uporabu.
- **HILTI** proizvodi su namijenjeni profesionalnom korisniku i smije ih posluživati, održavati i servisirati samo ovlašteno kvalificirano osoblje. To osoblje mora biti posebno podučeno o mogućim opasnostima. Proizvod i njemu pripadajuća pomoćna sredstva mogu biti opasna ako ih nepropisno i neispravno upotrebljava neosposobljeno osoblje.
- Priložene upute za uporabu odgovaraju trenutnom stanju tehnike u vrijeme tiskanja. Aktualnu verziju uvijek možete pronaći online na Hilti stranici proizvoda. U tu svrhu slijedite poveznicu ili QR kod u ovim uputama za uporabu označen simbolom
- Proizvod uvijek prosljediti drugim osobama zajedno s ovim uputama za uporabu.

### 1.2 Objašnjenje znakova

#### 1.2.1 Upozoravajući naputci

Upozoravajući naputci upozoravaju na opasnost prilikom rukovanja proizvodom. Koriste se sljedeće signalne riječi:

#### OPASNOST

##### OPASNOST !

- ▶ Znači moguću neposrednu opasnu situaciju, koja može prouzročiti tjelesne ozljede ili smrt.

#### UPOZORENJE

##### UPOZORENJE !

- ▶ Ova riječ skreće pozornost na moguću opasnu situaciju koja može uzrokovati teške tjelesne ozljede ili smrt.

#### OPREZ

##### OPREZ !

- ▶ Ova riječ skreće pozornost na moguću opasnu situaciju koja može uzrokovati tjelesne ozljede ili materijalnu štetu.

#### 1.2.2 Simboli u uputama za uporabu

U ovim uputama za uporabu koriste se sljedeći simboli:

	Pridržavajte se uputa za uporabu
	Napomene o primjeni i druge korisne informacije
	Rukovanje materijalima koji se mogu ponovno preraditi
	Električne uređaje i akumulatorske baterije ne bacajte u kućni otpad
	<b>Hilti</b> Litij-ionska akumulatorska baterija
	<b>Hilti</b> Punjač

#### 1.2.3 Simboli na slikama

Koriste se sljedeći simboli na slikama:



<b>2</b>	Ovi brojevi odnose se na određene slike na početku ovih uputa za uporabu.
3	Numeriranjem na slikama se navodi redoslijed radnih koraka i može odstupati od radnih koraka u tekstu.
<b>11</b>	Brojevi položaja koriste se na slici <b>Pregled</b> i odnose se na brojeve legende u odlomku <b>Pregled proizvoda</b> .
	Ovaj znak upućuje da trebate biti posebno pažljivi prilikom rukovanja proizvodom.

### 1.3 Simboli ovisno o proizvodu

#### 1.3.1 Dodatni simboli

Dodatno se mogu koristiti sljedeći simboli u ovoj dokumentaciji ili na proizvodu:

$n_0$	Broj hodova u praznom hodu
	Istosmjerna struja
Li-Ion	Litij-ionska akumulatorska baterija
	Proizvod podržava NFC tehnologiju koja je kompatibilna s iOS i Android platformama.
	Akumulatorsku bateriju nikada ne koristite kao udarni alat.
	Ne dopustite da akumulatorska baterija padne. Nikada nemojte koristiti akumulatorsku bateriju koja je udarena ili na neki drugi način oštećena.

## 2 Sigurnost

### 2.1 Opće sigurnosne napomene za električne alate

**⚠ UPOZORENJE** Pročitajte sve sigurnosne napomene, naputke, slike i tehničke podatke kojima je opremljen ovaj električni alat. Propusti u pridržavanju sljedećih naputaka mogu dovesti do električnog udara, požara i/ili teških ozljeda.

**Molimo sačuvajte sve sigurnosne napomene i upute za ubuduće.**

Pojam "električni alat" korišten u sigurnosnim napomenama odnosi se na električne alate s napajanjem iz električne mreže (s mrežnim vodom) i na električne alate na akumulatorski pogon (bez mrežnog voda).

#### Sigurnost na radnom mjestu

- ▶ **Područje rada održavajte čistim i osvijetljenim.** Nered i neosvijetljeno područje rada mogu dovesti do nezgoda.
- ▶ **S električnim alatom ne radite u okolini ugroženoj eksplozijom u kojoj se nalaze zapaljive tekućine, plinovi ili prašine.** Električni alati proizvode iskre koje mogu zapaliti prašinu ili pare.
- ▶ **Djecu i ostale osobe tijekom korištenja električnog alata udaljite iz područja rada.** Ako niste usredotočeni na rad, mogli biste izgubiti kontrolu nad uređajem.

#### Električna sigurnost

- ▶ **Priključni utikač električnog alata mora odgovarati utičnici. Na utikaču se ni u kojem slučaju ne smiju izvoditi izmjene. Ne koristite adapterske utikače zajedno sa zaštitno uzemljenim električnim alatima.** Nepromijenjeni utikači i odgovarajuće utičnice smanjuju opasnost od električnog udara.
- ▶ **Izbjegavajte dodir tijela s uzemljenim površinama kao što su cijevi, radijatori, štednjaci i hladnjaci.** Postoji povećana opasnost od električnog udara ako je vaše tijelo uzemljeno.
- ▶ **Električni alat držite dalje od kiše ili vlage.** Prodiranje vode u električni alat povećava opasnost od električnog udara.
- ▶ **Priključni vod ne upotrebljavajte za nošenje ili vješanje električnog alata odnosno za izvlačenje utikača iz utičnice. Priključni vod držite dalje od izvora topline, ulja, oštrih rubova ili pokretljivih dijelova.** Oštećeni ili zapleteni priključni vodovi povećavaju opasnost od električnog udara.
- ▶ **Ako s električnim alatom radite na otvorenom, upotrebljavajte samo produžne kabele odobrene za uporabu na otvorenom.** Primjena produžnog kabela prikladnog za uporabu na otvorenom smanjuje opasnost od električnog udara.



- ▶ **Ako ne možete izbjeći rad električnog alata u vlažnom okruženju, koristite zaštitnu strujnu sklopku.** Uporaba zaštitne strujne sklopke smanjuje opasnost od električnog udara.

### Sigurnost ljudi

- ▶ **Budite oprezni, pazite što činite i kod rada s električnim alatom postupajte razumno. Električni alat ne koristite ako ste umorni ili pod utjecajem opojnih sredstava, alkohola ili lijekova.** Trenutak nepažnje prilikom uporabe električnog alata može dovesti do ozbiljnih tjelesnih ozljeda.
- ▶ **Nosite zaštitnu opremu i uvijek nosite zaštitne naočale.** Nošenje zaštitne opreme, kao što su zaštitna maska, protuklizne zaštitne cipele, zaštitna kaciga ili zaštitne slušalice, ovisno o vrsti i primjeni električnog alata, smanjuje opasnost od ozljeda.
- ▶ **Izbjegavajte nehотиčno stavljanje u pogon. Uvjerite se da je električni alat isključen prije nego što ga priključite na napajanje strujom i/ili akumulatorsku bateriju, ili ga primite ili nosite.** Ako kod nošenja električnog alata prst držite na prekidaču ili ako je uređaj uključen i priključen na električnu mrežu, to može dovesti do nezgoda.
- ▶ **Prije nego što uključite električni alat, uklonite alate za podešavanje ili vijčane ključeve.** Alat ili ključ, koji se nalazi u rotirajućem dijelu uređaja, može uzrokovati nezgode.
- ▶ **Izbjegavajte nenormalan položaj tijela. Zauzmite siguran i stabilan položaj tijela i u svakom trenutku održavajte ravnotežu.** Na taj način možete električni alat bolje kontrolirati u neočekivanim situacijama.
- ▶ **Nosite prikladnu odjeću. Ne nosite široku odjeću ili nakit. Neka vaša kosa, odjeća i rukavice budu što dalje od pomičnih dijelova.** Široku odjeću, nakit ili dugu kosu mogu zahvatiti pomični dijelovi.
- ▶ **Ako se mogu montirati uređaji za usisavanje i skupljanje prašine, provjerite jesu li isti priključeni i rabe li se pravilno.** Uporaba usisavača može smanjiti opasnost.
- ▶ **Nemojte se uljuljati u lažnu sigurnost i obratite pozornost na sigurnosna pravila za električne alate iako ste nakon česte uporabe upoznati s električnim alatom.** Nepažljivo rukovanje može u djeliću sekunde uzrokovati teške tjelesne ozljede.

### Uporaba i rukovanje električnim alatom

- ▶ **Ne preopterećujte uređaj. Za vaše radove koristite za to predviđen električni alat.** S odgovarajućim električnim alatom radit ćete bolje i sigurnije u navedenom području snage.
- ▶ **Ne upotrebljavajte električni alat s neispravnim prekidačem.** Električni alat, koji se više ne može uključiti ili isključiti, opasan je i treba se popraviti.
- ▶ **Izvučite utikač iz utičnice i/ili izvadite akumulatorsku bateriju iz uređaja prije namještanja uređaja, zamjene dijelova pribora ili odlaganja uređaja.** Ovim mjerama opreza spriječit će se nehottično pokretanje električnog alata.
- ▶ **Električne alate, koji se ne koriste, spremite izvan dosega djece. Nemojte dopustiti da uređaj koriste osobe koje s njim nisu upoznate ili koje nisu pročitale upute za uporabu.** Električni alati su opasni ako ih koriste neiskusne osobe.
- ▶ **Pažljivo održavajte električne alate i pribor. Kontrolirajte rade li pokretljivi dijelovi besprijekorno i nisu li zaglavljivi, te jesu li dijelovi polomljeni ili tako oštećeni da negativno djeluju na funkciju električnog alata. Oštećene dijelove popravite prije uporabe uređaja.** Mnoge nezgode uzrokovane su lošim održavanjem električnih alata.
- ▶ **Rezne alate održavajte oštrim i čistim.** Brižljivo održavani rezni alati s oštrim reznim rubovima neće se zaglaviti i lakši su za vođenje.
- ▶ **Koristite električni alat, pribor, nastavke itd. sukladno ovim uputama. Pritom uzmite u obzir radne uvjete i izvođene radove.** Uporaba električnih alata za neke druge primjene različite od predviđenih može dovesti do opasnih situacija.
- ▶ **Ručke i rukohvate držite suhim, čistim i bez ostataka ulja i masti.** Skliske ručke i rukohvati ne omogućuju sigurno rukovanje i kontrolu električnog alata u nepredviđenim situacijama.

### Uporaba i rukovanje akumulatorskim alatom

- ▶ **Akumulatorske baterije punite samo u punjačima koje preporučuje proizvođač.** Kod punjača, koji je prikladan za određenu vrstu akumulatorskih baterija, postoji opasnost od požara ako se upotrebljava s drugim akumulatorskim baterijama.
- ▶ **U električnim alatima upotrebljavajte samo za to predviđene akumulatorske baterije.** Uporaba neke druge akumulatorske baterije može dovesti do ozljeda i opasnosti od požara.
- ▶ **Nekorišteni akumulatorsku bateriju držite dalje od uredskih spajalica, kovanica, ključeva, čavala, vijaka ili drugih sitnih metalnih predmeta koji bi mogli uzrokovati premošćenje kontakata.** Kratki spoj između akumulatorskih kontakata može dovesti do opekline ili do požara.
- ▶ **Kod pogrešne uporabe može iz akumulatorske baterije iscuriti tekućina. Izbjegavajte doticaj s ovom tekućinom. Kod slučajnog doticaja odmah isperite s vodom. Ako tekućina dođe u dodir s očima, odmah zatražite liječničku pomoć.** Tekućina, koja curi iz akumulatorske baterije, može dovesti do nadražaja kože ili opekline.



- ▶ **Ne upotrebljavajte oštećenu ili izmijenjenu akumulatorsku bateriju.** Oštećene ili izmijenjene akumulatorske baterije mogu se nepredvidivo ponašati i dovesti do požara, eksplozije ili opasnosti od ozljede.
- ▶ **Akumulatorsku bateriju ne izlažite vatri ili previsokim temperaturama.** Vatra ili temperature iznad 130 °C (265 °F) mogu izazvati eksploziju.
- ▶ **Pridržavajte se svih uputa za punjenje i nikada ne puniti akumulatorsku bateriju ili akumulatorski alat izvan raspona temperature navedenog u uputama za uporabu.** Pogrešno punjenje ili punjenje izvan dopuštenog raspona temperature može uništiti akumulatorsku bateriju ili povećati opasnost od požara.

#### Servisiranje

- ▶ **Popravak električnog alata prepustite samo kvalificiranom stručnom osoblju i samo s originalnim rezervnim dijelovima.** Na taj način će se postići održavanje sigurnosti uređaja.
- ▶ **Nikada ne održavajte oštećene akumulatorske baterije** Održavanje akumulatorskih baterija smije provoditi samo proizvođač ili ovlašteni servisi.

### 2.2 Sigurnosne napomene za pile s pomičnim listom pile

- ▶ **Električni alat uhvatite samo za izolirane ručke kada izvodite radove kod kojih ugradni alat može pogoditi skrivene strujne vodove ili vlastiti mrežni kabel.** Kontakt s vodom pod naponom može staviti i metalne dijelove uređaja pod napon te dovesti do električnog udara.
- ▶ **Alat pričvrstite na stabilnu podlogu i osigurajte stegama ili na neki drugi način.** Ako predmet obrade držite samo rukom i tijelom, ostaje labilan što može dovesti do gubitka kontrole.

### 2.3 Dodatne sigurnosne napomene

- ▶ Proizvod i pribor koristite samo ako su u tehnički besprijekornom stanju.
- ▶ Ne izvodite manipulacije ili preinake na proizvodu ili priboru.
- ▶ Prije početka rada provjerite ima li u području rada sakrivenih električnih vodova, plinskih i vodovodnih cijevi. Vanjski metalni dijelovi proizvoda mogu uzrokovati električni udar ili eksploziju ako ste oštetili električni vod, plinski ili vodovodnu cijev.
- ▶ Proraze za prozračivanje uvijek držite slobodnim. Opasnost od opekline zbog prekrivenih proreza za prozračivanje!
- ▶ Tijekom uporabe proizvoda nosite zaštitne naočale, zaštitne slušalice i zaštitne rukavice.
- ▶ Nosite zaštitne naočale. Odlomljeni materijal može ozlijediti tijelo i oči.
- ▶ Prašina koja nastaje pri brušenju, brušenju brusnim papirom, rezanju i bušenju može sadržavati opasne kemikalije. Neki primjeri su: olovo ili boje na bazi olova; opeka, beton i drugi proizvodi za zidove, prirodni kamen i drugi proizvodi koji sadrže silikat; određena drva, npr. hrast, bukva i kemijski obrađeno drvo; azbest ili azbestni materijali. Utvrdite izloženost korisnika i osoba u blizini prema razredu opasnosti materijala na kojima se radi. Poduzmite potrebne mjere za održavanje izloženosti na sigurnoj razini, npr. koristeći sustav za sakupljanje prašine ili noseći odgovarajuću zaštitu organa za disanje. Opće mjere za smanjenje izloženosti uključuju:
  - ▶ rad u dobro prozračenom području,
  - ▶ izbjegavanje dužeg kontakta s prašinom,
  - ▶ brisanje prašine s lica i tijela,
  - ▶ nošenje zaštitne odjeće i pranje izloženih područja vodom i sapunom.
- ▶ Opasnost od ozljede uslijed pada alata i/ili pribora. Prije početka rada provjerite da su akumulatorska baterijala i montiran pribor sigurno pričvršćeni.
- ▶ Proizvod uključite tek kada ste ga stavili u radni položaj.
- ▶ Proizvod uvijek držite čvrsto za predviđene rukohvate. Rukohvate održavajte suhim i čistim.
- ▶ Često napravite stanke i vježbe za bolju prokrvljenost prstiju. Kod duljeg rada mogu se zbog jakih vibracija pojaviti smetnje na krvnim žilama ili živčanom sustavu prstiju, ruku i ručnih zglobova.
- ▶ Ne gledajte izravno u osvijetljenje (LED) i ne osvijetljujte druge osobe u lice. Postoji opasnost od zaslepljenja!
- ▶ Prije nego što odložite proizvod, pričekajte dok se u potpunosti ne zaustavi.
- ▶ Prilikom zamjene nastavka nosite zaštitne rukavice. Dodirivanje nastavka može uzrokovati posjekotine i opekline!

#### Posebne sigurnosne napomene za ubodne pile

- ▶ Proizvod pri rezanju vodite što dalje od tijela.
- ▶ Ruke nikada ne držite ispred lista pile ili na njemu.
- ▶ Ne režite nepoznate podloge i držite reznu traku gore i dolje slobodnu od prepreka.



- ▶ Tijekom rezanja ne posežite rukom pod predmet obrade.

## 2.4 Pažljivo rukovanje i uporaba akumulatorskih baterija

- ▶ **Pridržavajte se sljedećih sigurnosnih napomena za sigurno rukovanje i uporabu litij-ionskih akumulatorskih baterija.** Nepridržavanje može dovesti do nadražaja kože, teških korozivnih ozljeda, kemijskih opekline, požara i / ili eksplozija.
- ▶ Akumulatorske baterije koristite samo ako su u tehnički besprijeornom stanju.
- ▶ Pažljivo rukujte akumulatorskim baterijama kako biste izbjegli oštećenja i istjecanje tekućina koje su jako opasne za zdravlje!
- ▶ Ne smiju se vršiti promjene ili preinake akumulatorskih baterija.
- ▶ Akumulatorske baterije se ne smiju rastavljati, gnječiti, zagrijavati iznad 80 °C (176 °F) ili spaljivati.
- ▶ Nikada nemojte koristiti niti puniti akumulatorske baterije koje su udarene ili na neki drugi način oštećene. Redovito provjerite ima li znakova oštećenja na vašim akumulatorskim baterijama.
- ▶ Nikada nemojte koristiti reciklirane ili popravljene akumulatorske baterije.
- ▶ Akumulatorsku bateriju ili električni alat na akumulatorski pogon nikada ne rabite kao udarni alat.
- ▶ Akumulatorske baterije nikada ne izlažite izravnom sunčevom zračenju, povišenoj temperaturi, iskreju ili otvorenom plamenu. To može dovesti do eksplozija.
- ▶ Polove baterije ne dodirujte prstima, alatom, nakitom ili drugim električno vodljivim predmetima. To može oštetiti akumulatorsku bateriju te uzrokovati materijalne štete i ozljede.
- ▶ Akumulatorske baterije držite dalje od kiše, vlage i tekućina. Prodiranje vlage može prouzročiti kratak spoj, električni udar, opekline, požar i eksplozije.
- ▶ Upotrebljavajte samo punjače i električne alate predviđene za ovaj tip akumulatorske baterije. Pridržavajte se podataka u odgovarajućim uputama za uporabu.
- ▶ Akumulatorsku bateriju ne upotrebljavajte i ne čuvajte u okolini ugroženoj eksplozijom.
- ▶ Ako je akumulatorska baterija toliko vruća da je ne možete primiti rukom, onda je moguće da je u kvaru. Stavite akumulatorsku bateriju na vidljivo, nezapaljivo mjesto dovoljno udaljeno od zapaljivih materijala. Ostavite akumulatorsku bateriju da se ohladi. Ako je nakon jednog sata akumulatorska baterija još uvijek vruća da je ne možete primiti rukom, onda je u kvaru. Obratite se **Hilti** servisu ili pročitajte dokument „Napomene za sigurnost i primjenu **Hilti** litij-ionskih akumulatorskih baterija“.



Poštujte posebne smjernice za transport, skladištenje i uporabu litij-ionskih akumulatorskih baterija.

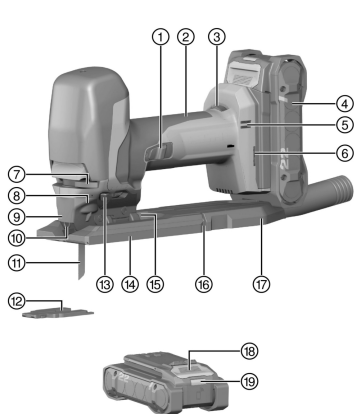


Pročitajte napomene za sigurnost i primjenu **Hilti** litij-ionskih akumulatorskih baterija koje ćete naći na kraju ovih uputa za uporabu skeniranjem QR koda.



### 3 Opis

#### 3.1 Pregled proizvoda



- ① Prekidač za uključivanje/isključivanje
- ② Rukohvat
- ③ Kotačić za namještanje broja hodova
- ④ Akumulatorska baterija
- ⑤ Prorezi za prozračivanje
- ⑥ Otvor za montažu pribora
- ⑦ Poluga za deblokadu lista pile
- ⑧ Stezna glava
- ⑨ Pokrov
- ⑩ Zaštita od dodira
- ⑪ List pile
- ⑫ Zaštita od kidanja materijala
- ⑬ Poluga za namještanje orbitalnog hoda
- ⑭ Osnovna ploča
- ⑮ Skaliranje za namještanje kuta rezanja
- ⑯ Uskočna kuka
- ⑰ Usisni adapter
- ⑱ Tipka za deblokadu akumulatorske baterije
- ⑲ Statusni prikaz akumulatorske baterije

#### 3.2 Namjenska uporaba

Opisani proizvod je ručno upravljana ubodna pila s orbitalnim hodom na akumulatorski pogon. Namijenjena je za rezanje plastičnih, drvenih i metalnih materijala te gipsanih i vlaknastih ploča.

Proizvod je opremljen priključkom, koji se može skidati, za opcionalni usisavač i koji je konstruiran za postojeća usisna crijeva. Za spajanje usisnog crijeva s proizvodom može biti potreban odgovarajući adapter.

- Za ovaj proizvod koristite samo **Hilti** Nuron litij-ionske akumulatorske baterije tipa B 22. Za optimalnu snagu **Hilti** preporučuje za ovaj proizvod akumulatorske baterije navedene u tablici na kraju ovih uputa za uporabu.
- Za ove akumulatorske baterije upotrebljavajte samo **Hilti** punjače tipa navedenog u tablici na kraju ovih uputa za uporabu.
- Za ovaj proizvod upotrebljavajte samo listove pile s T-prihvatom (prihvat od jednog grebena).

#### 3.3 Moguća pogrešna uporaba

- Proizvod se ne smije upotrebljavati za rezanje grana i debala.
- Proizvod se ne smije upotrebljavati za obradu materijala opasnih po zdravlje.
- Proizvod se ne smije upotrebljavati za radove u vlažnom okruženju.

#### 3.4 Indikatori litij-ionske akumulatorske baterije

**Hilti** Nuron litij-ionske akumulatorske baterije mogu prikazati stanje napunjenosti, poruke pogreške i stanje akumulatorske baterije.

##### 3.4.1 Indikatori stanja napunjenosti i poruke pogreške

#### UPOZORENJE

##### Opasnost od ozljede uslijed pada akumulatorske baterije!

- ▶ Kada je umetnuta akumulatorska baterija i nakon pritiska na tipku za deblokadu pazite da ponovno ispravno uglavite akumulatorsku bateriju u korišteni proizvod.

Kratko pritisnite tipku za deblokadu akumulatorske baterije kako bi se pojavio jedan od sljedećih indikatora. Stanje napunjenosti i moguće smetnje također se stalno prikazuju dok je priključeni proizvod uključen.



Stanje	Značenje
Četiri (4) LED diode stalno svijetle zeleno	Stanje napunjenosti: 100 % do 71 %
Tri (3) LED diode stalno svijetle zeleno	Stanje napunjenosti: 70 % do 51 %
Dvije (2) LED diode stalno svijetle zeleno	Stanje napunjenosti: 50 % do 26 %
Jedna (1) LED dioda stalno svijetli zeleno	Stanje napunjenosti: 25 % do 10 %
Jedna (1) LED dioda sporo treperi zeleno	Stanje napunjenosti: < 10 %
Jedna (1) LED dioda brzo treperi zeleno	Litij-ionska akumulatorska baterija je potpuno ispražnjena. Napunite akumulatorsku bateriju. Ako LED dioda nakon punjenja akumulatorske baterije još uvijek brzo treperi, obratite se <b>Hilti</b> servisu.
Jedna (1) LED dioda brzo treperi žuto	Litij-ionska akumulatorska baterija ili s njom povezan proizvod su preopterećeni, prevrući, prehladni ili postoji neka druga pogreška. Proizvod i akumulatorsku bateriju dovedite na preporučenu radnu temperaturu i ne preopterećujte proizvod tijekom uporabe. Ako se poruka i dalje prikazuje, obratite se <b>Hilti</b> servisu.
Jedna (1) LED dioda svijetli žuto	Litij-ionska akumulatorska baterija i s njom povezan proizvod nisu kompatibilni. Obratite se <b>Hilti</b> servisu.
Jedna (1) LED dioda brzo treperi crveno	Litij-ionska akumulatorska baterija je blokirana i ne može se dalje koristiti. Obratite se <b>Hilti</b> servisu.

### 3.4.2 Indikatori stanja akumulatorske baterije

Za pozivanje stanja akumulatorske baterije pritisnite i držite pritisnutu tipku za deblokadu dulje od tri sekunde. Sustav ne prepoznaje moguću neispravnost baterije zbog zlouporabe, npr. ispadanja, uboda, vanjskih oštećenja uzrokovanih vrućinom itd.

Stanje	Značenje
Sve LED diode svijetle uzastopno i zatim jedna (1) LED dioda stalno svijetli zeleno.	Akumulatorska baterija može se dalje upotrebljavati.
Sve LED diode svijetle uzastopno i zatim jedna (1) LED dioda brzo treperi žuto.	Očitavanje stanja akumulatorske baterije ne može se isključiti. Ponovite postupak ili se obratite <b>Hilti</b> servisu.
Sve LED diode svijetle uzastopno i zatim jedna (1) LED dioda stalno svijetli crveno.	Ako se priključeni proizvod može dalje upotrebljavati, preostali kapacitet akumulatorske baterije je ispod 50 %. Ako se priključeni proizvod ne može više upotrebljavati, akumulatorska baterija je na kraju svog životnog vijaka i treba je zamijeniti. Obratite se <b>Hilti</b> servisu.

### 3.5 Puhalo za uklanjanje strugotina

Puhalo za uklanjanje strugotina dovodi mlaz zraka na list pile radi uklanjanja strugotina s rezne linije.

### 3.6 Broj hodova

Broj hodova možete namjestiti na kotačiću za namještanje. Položaj 1 odgovara 800 hodova u minuti, a položaj 6 odgovara 3000 hodova u minuti.

### 3.7 Orbitalno kretanje u 4 položaja

Orbitalnim kretanjem u četiri položaja predmetu obrade može se prilagoditi dubina rezanja i konačan izgled reza. Polugom za namještanje orbitalnog hoda možete prebacivati između 4 položaja.

Trebate odabrati to manji orbitalni položaj što je veća potreba za finoćom i čistoćom reza. Optimalno namještanje utvrđuje se pokusnim rezanjem.





Stanje	Značenje
Položaj 0	Nema orbitalnog kretanja
Položaj 1	Malo orbitalno kretanje
Položaj 2	Srednje orbitalno kretanje
Položaj 3	Veliko orbitalno kretanje

### 3.8 Zaštita od kidanja materijala

Proizvod može biti opremljen zaštitom od kidanja materijala.

Zaštitom od kidanja materijala sprječava se kidanje površine pri rezanju drvenih materijala.

### 3.9 Automatsko isključivanje proizvoda

Kada je prekidač za uključivanje/isključivanje uključen neprekidno dulje od 15 minuta (npr. kod transporta ili skladištenja), proizvod se isključuje automatski. Time se sprječava da se akumulatorska baterija isprazni do kraja.

### 3.10 Sadržaj isporuke

Ubodna pila s orbitalnim hodom s listom pile, pokrov, usisni adapter, zaštita od kidanja materijala, upute za uporabu, imbus ključ.

Ostale proizvode sustava dopuštene za Vaš proizvod naći ćete u Vašoj **Hilti Store** ili online na: [www.hilti.group](http://www.hilti.group)

## 4 Tehnički podaci

### 4.1 Ubodna pila s orbitalnim hodom

	SJT 6-22
Generacija proizvoda	02
Dimenzionirani napon	21,6 V
Težina prema EPTA Procedure 01 bez akumulatorske baterije	2,1 kg
Visina hoda	28 mm
Broj hodova u praznom hodu (n <sub>0</sub> )	800 o/min ... 3.000 o/min
Maksimalna dubina rezanja drva	150 mm
Maksimalna dubina rezanja aluminija	25 mm
Maksimalna dubina rezanja čelika koji ne sadrži slitine	10 mm
Kut rezanja (lijevo/desno)	0° ... 45°
Vanjski promjer usisnog adaptera	27,5 mm
Temperatura skladištenja	-20 °C ... 70 °C
Okolna temperatura pri radu	-17 °C ... 60 °C

### 4.2 Informacije o buci i vrijednosti vibracije

Razina zvučnog tlaka i razina titranja koje su navedene u ovim uputama, izmjerene su skladno normiranom postupku mjerenja te se mogu koristiti za međusobnu usporedbu električnih alata. Primjerene su i za privremenu procjenu ekspozicija.

Navedeni podaci predstavljaju glavne primjene električnog alata. Ako se električni alat inače koristi za druge primjene s nastavcima, koji se razlikuju ili nisu dovoljno dobro održavani, podaci se mogu razlikovati. To može znatno povećati ekspozicije tijekom cjelokupnog radnog vijeka.

Za točnu procjenu ekspozicija trebaju se uzeti u obzir i vremena, tijekom kojih je električni alat bio isključen ili je radio, ali se zapravo nije koristio. To može znatno smanjiti ekspozicije tijekom cjelokupnog radnog vijeka.

Odredite dodatne sigurnosne mjere za zaštitu korisnika prije djelovanja zvuka i/ili titranja kao npr: Održavanje električnog alata i nastavaka, održavanje toplih ruku, organizacija tokova rada.



Detaljne informacije o ovdje navedenoj verziji **EN 62841** normi možete pronaći na slici izjave o sukladnosti 251.

### Vrijednosti emisije buke

	<b>SJT 6-22</b>
Razina zvučne snage ( $L_{WA}$ )	99 dB(A)
Nesigurnost razine zvučne snage ( $K_{WA}$ )	5 dB(A)
Razina zvučnog tlaka ( $L_{pA}$ )	91 dB(A)
Nesigurnost razine zvučnog tlaka ( $K_{pA}$ )	5 dB(A)

### Ukupne vrijednosti vibracija

	<b>SJT 6-22</b>	
Vrijednost emisije vibracije za rezanje iverice ( $a_{h,b}$ )	<b>B 22-55</b>	5,2 m/s <sup>2</sup>
	<b>B 22-255</b>	5,3 m/s <sup>2</sup>
Vrijednost emisije vibracije za rezanje metalnih ploča ( $a_{h,m}$ )	<b>B 22-55</b>	8,5 m/s <sup>2</sup>
	<b>B 22-255</b>	7,2 m/s <sup>2</sup>
Nesigurnost (K)		1,5 m/s <sup>2</sup>

### 4.3 Akumulatorska baterija

Radni napon akumulatorske baterije	21,6 V
Težina akumulatorske baterije	Vidi na kraju ovih uputa za uporabu
Okolna temperatura pri radu	-17 °C ... 60 °C
Temperatura skladištenja	-20 °C ... 40 °C
Temperatura akumulatorske baterije na početku punjenja	-10 °C ... 45 °C

## 5 Priprema rada

### UPOZORENJE

#### Opasnost od ozljede zbog nehotičnog pokretanja!

- ▶ Prije umetanja akumulatorske baterije provjerite je li pripadajući proizvod isključen.
- ▶ Izvadite akumulatorsku bateriju prije namještanja uređaja ili zamjene dijelova pribora.

Pridržavajte se sigurnosnih napomena i upozoravajućih naputaka u ovoj dokumentaciji i na proizvodu.

### 5.1 Punjenje akumulatorske baterije

1. Prije punjenja pročitajte uputu za uporabu punjača.
2. Pazite da su kontakti akumulatorske baterije i punjača čisti i suhi.
3. Akumulatorsku bateriju puniti u odobrenom punjaču. 73

### 5.2 Umetanje akumulatorske baterije

### UPOZORENJE

#### Opasnost od ozljede uslijed kratkog spoja ili pada akumulatorske baterije!

- ▶ Prije nego što stavite akumulatorsku bateriju u uređaj, provjerite ima li stranih tijela na kontaktima akumulatorske baterije i kontaktima proizvoda.
  - ▶ Provjerite da je akumulatorska baterija uvijek ispravno uglavljena.
1. Akumulatorsku bateriju u potpunosti napunite prije prvog stavljanja u pogon.
  2. Umetnite akumulatorsku bateriju u proizvod sve dok čujno ne uskoči u ležište.
  3. Provjerite siguran dosjed akumulatorske baterije.



### 5.3 Vađenje akumulatorske baterije

1. Pritisnite tipku za deblokadu akumulatorske baterije.
2. Izvucite akumulatorsku bateriju iz proizvoda.

### 5.4 Umetanje lista pile 2

1. Pritišćite list pile (zupci u smjeru rezanja) u steznu glavu sve dok se ne uglati.
2. Povlačenjem lista pile provjerite je li sigurno blokiran.

### 5.5 Stavljanje pokrova 3

- ▶ Pomičite pokrov sprijeda na proizvod sve dok se ne uglati.



Pokrov možete staviti samo kada je osnovna ploča u normalnom položaju (kut rezanja 0°). 78

### 5.6 Montaža usisnog adaptera 4

1. Usisni adapter umetnite sa stražnje strane vodoravno u osnovnu ploču sve dok se obje uskočne kuke bočno ne uglati.
2. Priključite crijevo usisavača na usisni adapter.

### 5.7 Montaža zaštite od kidanja materijala 5

- ▶ Pritisnite zaštitu od kidanja materijala odozdo u osnovnu ploču.



Zaštitu od kidanja materijala možete upotrebljavati samo za to predviđene listove pile.

Zaštitu od kidanja materijala možete upotrebljavati samo kada je osnovna ploča u normalnom položaju (kut rezanja 0°). 78

### 5.8 Osigurač od pada



#### UPOZORENJE

**Opasnost od ozljede** zbog pada alata i/ili pribora!

- ▶ Upotrebljavajte samo preporučenu **Hilti** pridržnu traku za alat za svoj proizvod.
- ▶ Prije svake uporabe provjerite je li možda oštećena točka za pričvršćivanje pridržne trake za alat.
- ▶ Nemojte pričvrstiti pridržnu traku za alat na pojasnu kuku. Ne upotrebljavajte pojasnu kuku za podizanje proizvoda.



Pridržavajte se nacionalnih smjernica za rad na visini.

Kao osigurač od pada za ovaj proizvod upotrebljavajte samo kombinaciju **Hilti** zaštitu od pada s **Hilti** pridržnom trakom za alat #2261970.

- ▶ Pričvrstite zaštitu od pada u otvore za montažu pribora. Provjerite siguran prihvat.
- ▶ Pričvrstite kuku karabinera pridržne trake za alat na zaštitu od pada i drugu kuku karabinera na nosivu strukturu. Provjerite siguran prihvat obiju kuka karabinera.



Pridržavajte se uputa za uporabu **Hilti** zaštite od pada i **Hilti** pridržne trake za alat.

## 6 Rukovanje

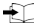
Pridržavajte se sigurnosnih napomena i upozoravajućih naputaka u ovoj dokumentaciji i na proizvodu.

### 6.1 Uporaba uređaja za usisavanje prašine




Uređaj za usisavanje prašine smanjuje opterećenost prašinom, povećava radnu sigurnost boljom vidljivošću reza i sprječava veća onečišćenja radnog mjesta prašinom i strugotinom.



1. Stavite pokrov.  77
2. Uvijek upotrebljavajte uređaj za usisavanje prašine ako dulje vrijeme obrađujete drvo ili materijale čija je prašina štetna po zdravlje.

## 6.2 Namještanje kuta rezanja

1. Demontirajte usisni adapter.  78
2. Otpustite vijak na osnovnoj ploči.
3. Namjestite željeni kut rezanja (od 0° do 45° u oba smjera).
  - ▶ Kod kuta rezanja 0° je osnovna ploča u položaju sigurnom od okretanja. Kako biste mogli namjestiti kut rezanja, osnovnu ploču trebate najprije povući prema natrag.
  - ▶ Kada stavite osnovnu ploču na kut rezanja 0°, ponovno je pomaknite prema naprijed kako biste je uglavili u položaj siguran od okretanja.
4. Ponovno zategnite vijak.
  - ▶ Osnovna ploča je čvrsto stegnuta.

## 6.3 Uključivanje



Sigurnosna funkcija osigurava da se proizvod neće pokrenuti kada ga uključite i zatim umetnete akumulatorsku bateriju.

Prekidač za uključivanje/isključivanje pritisnite prema natrag i zatim ponovno prema naprijed.

- ▶ Pritisnite prekidač za uključivanje/isključivanje prema naprijed.

## 6.4 Rezanje uranjanjem

1. Polugu za namještanje orbitalnog hoda stavite u položaj 0.
2. Proizvod s prednjim rubom osnovne ploče postavite na predmet obrade.
3. Čvrsto držite proizvod i pritisnite prekidač za uključivanje/isključivanje.
4. Proizvod čvrsto pritisnite na predmet obrade i spuštajte ga u podlogu smanjivanjem prilagodljivog kuta.
5. Kada ste probili predmet obrade, stavite proizvod u normalan radni položaj.
  - ▶ Osnovna ploča naliježe cijelom površinom.
6. Nastavite rezati duž rezne linije.

## 6.5 Isključivanje

- ▶ Pritisnite prekidač za uključivanje/isključivanje prema natrag.

## 7 Demontaža

### 7.1 Demontaža usisnog adaptera

1. Obje uskočne kuke pritisnite prema unutra.
2. Skinite usisni adapter s osnovne ploče prema natrag.
3. Skinite crijevo usisavača s usisnog adaptera.

### 7.2 Skidanje pokrova

- ▶ Lagano nakrenite pokrov i povucite ga prema naprijed.

### 7.3 Izbacivanje lista pile

#### UPOZORENJE

**Opasnost od ozljede.** Nekontrolirano izbacivanje lista pile može dovesti do ozljeda.

- ▶ Proizvod pri izbacivanju lista pile držite tako da se izbacivanjem lista pile ne mogu ozlijediti osobe ili životinje.
- 
- ▶ Zakrenite polugu za deblokadu lista pile do bočnog graničnika.
    - ▶ List pile se odvaja i izbacuje.



## 8 Čišćenje i održavanje

### UPOZORENJE

#### Opasnost od ozljede kod umetnute akumulatorske baterije !

- ▶ Prije svih radova čišćenja i održavanja uvijek izvadite akumulatorsku bateriju!

#### Čišćenje proizvoda

- Oprezno uklonite čvrsto prljanajuću prljavštinu.
- Proreze za prozračivanje pažljivo očistite suhom, mekom četkom ako postoje.
- Kućište čistite samo lagano navlaženom krpom. Ne upotrebljavajte silikonska sredstva za čišćenje jer mogu nagristi plastične dijelove.
- Upotrebljavajte čistu, suhu krpu kako biste očistili kontakte proizvoda.

#### Održavanje litij-ionske akumulatorske baterije

- Nikada ne koristite akumulatorsku bateriju ukoliko su začepljeni prorezi za prozračivanje. Proreze za prozračivanje pažljivo očistite suhom, mekom četkom.
  - Izbjegavajte nepotrebno izlaganje akumulatorske baterije prašini ili prljavštini. Nikada nemojte izlagati akumulatorsku bateriju velikoj vlazi (npr. uroniti u vodu ili ostaviti na kiši).
- Ako je akumulatorska baterija smočena, onda s njom rukujte kao s oštećenom akumulatorskom baterijom. Izolirajte je u nezapaljivom spremniku i obratite se **Hilti** servisu.

- Akumulatorska baterija mora biti bez ostataka ulja i masti. Nemojte dopustiti nepotrebno nakupljanje prašine ili prljavštine na akumulatorskoj bateriji. Akumulatorsku bateriju očistite suhom, mekom četkom ili čistom, suhom krpom. Ne upotrebljavajte silikonska sredstva za čišćenje jer mogu nagristi plastične dijelove.

Ne dodirujte kontakte akumulatorske baterije i ne uklanjajte tvornički nanесenu mast s kontakata.

- Kućište čistite samo lagano navlaženom krpom. Ne upotrebljavajte silikonska sredstva za čišćenje jer mogu nagristi plastične dijelove.

#### Održavanje

- Redovito provjeravajte je li na svim vidljivim dijelovima došlo do oštećenja i funkcioniraju li besprijekorno svi upravljački elementi.
- U slučaju oštećenja i/ili smetnji u radu ne radite s proizvodom. Proizvod odmah odnesite na popravak u **Hilti** servis.
- Nakon čišćenja i održavanja postavite sve zaštitne uređaje i provjerite funkcioniraju li besprijekorno.



Za siguran rad koristite samo originalne rezervne dijelove i potrošni materijal. Rezervne dijelove, potrošni materijal i dodatni pribor, koji je odobrila tvrtka **Hilti** za vaš proizvod, pronaći ćete u vašoj **Hilti Store** ili na: [www.hilti.group](http://www.hilti.group)

### 8.1 Čišćenje usisnog adaptera

1. Demontirajte usisni adapter. 78
2. Očistite usisni adapter.
3. Provjerite jesu li uskočne kuke neoštećene.
4. Montirajte usisni adapter. 77

### 8.2 Čišćenje listova pile

1. Redovito skinite smolu s korištenih listova pile.
2. Listove pile stavite u petrolej ili uobičajeno sredstvo za skidanje smole i ostavite 24 sata.

## 9 Transport i skladištenje akumulatorskih alata i akumulatorskih baterija

### Transport

#### OPREZ

#### Nehotično pokretanje prilikom transporta !

- ▶ Svoje proizvode uvijek transportirajte bez umetnutih akumulatorskih baterija!
- ▶ Izvadite akumulatorsku(e) bateriju(e).
- ▶ Akumulatorske baterije nikada ne transportirajte u rasutom stanju. Za vrijeme transporta treba zaštititi akumulatorske baterije od prejakog udara i vibracija te ih izolirati od svih vodljivih materijala ili drugih



akumulatorskih baterija kako ne bi došle u dodir s polovima drugih baterija i prouzročile kratak spoj.  
**Požustite lokalne propise o transportu akumulatorskih baterija.**

- ▶ Akumulatorske baterije ne smiju se slati poštom. Obratite se otpremničkoj tvrtki ako želite slati neoštećene akumulatorske baterije.
- ▶ Prije svake uporabe i nakon dužeg transporta provjerite jesu li proizvod i akumulatorske baterije oštećeni.

### Skladištenje



#### UPOZORENJE

#### Nehtično oštećenje zbog neispravnih akumulatorskih baterija ili onih koje cure. !

- ▶ Svoje proizvode uvijek skladištite bez umetnutih akumulatorskih baterija!
- 
- ▶ Proizvod i akumulatorske baterije skladištite na hladnom i suhom mjestu. Pridržavajte se graničnih vrijednosti temperature koje su navedene u poglavlju Tehnički podaci.
  - ▶ Akumulatorske baterije ne čuvajte u punjaču. Uvijek izvadite akumulatorsku bateriju iz punjača nakon punjenja.
  - ▶ Akumulatorske baterije ne čuvajte na suncu, na izvorima topline ili iza stakla.
  - ▶ Proizvod i akumulatorske baterije čuvajte na mjestu koje je nedostupno djeci i neovlaštenim osobama.
  - ▶ Prije svake uporabe i nakon dužeg skladištenja provjerite jesu li proizvod i akumulatorske baterije oštećeni.

## 10 Pomoć u slučaju smetnji

Kod svih smetnji pazite na indikator stanja napunjenosti i pogrešaka akumulatorske baterije. Vidi poglavlje **Indikatori litij-ionske akumulatorske baterije**.

U slučaju smetnji, koje nisu navedene u ovoj tablici ili koje ne možete sami ukloniti, obratite se našem **Hilti** servisu.

Smetnja	Mogući uzrok	Rješenje
List pile ispada.	List pile nije pravilno blokiran.	<ul style="list-style-type: none"> <li>▶ Ponovite postupak pritezanja.</li> <li>▶ Pazite da je stezna glava otvorena do kraja i da se list pile utiskuje prema otporu.</li> </ul>
	Sustav za zatezanje je zaprljan.	▶ Očistite steznu glavu.
List pile se ne može uvesti.	Sustav za zatezanje je zaprljan.	▶ Očistite steznu glavu.
Orbitalni hod ne može se pomaknuti.	Utor poluge za namještanje orbitalnog hoda je zaprljan.	▶ Očistite utor poluge za namještanje orbitalnog hoda.
Orbitalni hod ne funkcioniра.	Orbitalni mehanizam je zaprljan.	▶ Provjerite nalazi li se u području orbitalnih vilica prljavština i uklonite je.
	Poluga za namještanje orbitalnog hoda je u položaju "0".	▶ Namjestite željenu vrijednost.
Akumulatorska baterija se prazni brže nego što je uobičajeno.	Vrlo niska okolna temperatura.	▶ Polako zagrijavajte akumulatorsku bateriju na sobnu temperaturu.
Akumulatorska baterija neće uskočiti u ležište s čujnim klikom.	Uskočni izdanak na akumulatorskoj bateriji je zaprljan.	▶ Očistite uskočni izdanak i ponovno umetnite akumulatorsku bateriju.
Snažan razvoj topline u proizvodu ili akumulatorskoj bateriji.	Električni kvar	▶ Odmah isključite proizvod, izvadite akumulatorsku bateriju, promatrajte je, ostavite da se ohladi i kontaktirajte <b>Hilti</b> servis.
LED diode akumulatorske baterije ništa ne pokazuju	Neispravna akumulatorska baterija	▶ Obratite se <b>Hilti</b> servisu.



## 11 Zbrinjavanje otpada

### UPOZORENJE

**Opasnost od ozljede uslijed nestručnog zbrinjavanja!** Opasnosti po zdravlje uslijed istjecanja plinova ili tekućina.

- ▶ Nemojte slati oštećene akumulatorske baterije!
- ▶ Nemojte prekriti priključke nevodljivim materijalom kako biste izbjegli kratki spoj.
- ▶ Akumulatorske baterije zbrinite na način da ne mogu dospjeti djeci u ruke.
- ▶ Zbrinite akumulatorsku bateriju u vašoj **Hilti Store** ili se obratite nadležnoj tvrtki za zbrinjavanje otpada.

**Hilti** proizvodi su većim dijelom izrađeni od materijala koji se mogu ponovno preraditi. Pretpostavka za to je njihovo stručno razvrstavanje. U mnogim zemljama **Hilti** preuzima vaš stari uređaj na recikliranje. Raspitajte se u **Hilti** servisnoj službi ili kod vašeg prodajnog savjetnika.



- ▶ Električne alate, elektroničke uređaje i akumulatorske baterije ne bacajte u kućni otpad!

## 12 Jamstvo proizvođača

- ▶ Ukoliko imate pitanja glede jamstvenih uvjeta, obratite se svojem lokalnom **Hilti** partneru.

## 13 Dodatne informacije

Dodatne informacije o rukovanju, tehnici, okolišu i recikliranju pronaći ćete na sljedećoj poveznici: [qr.hilti.com/manual/?id=2264217&id=2264218](http://qr.hilti.com/manual/?id=2264217&id=2264218)

Tu poveznicu naći ćete na kraju ove dokumentacije u obliku QR koda.



## Перевод оригинального руководства по эксплуатации

### 1 Данные руководства по эксплуатации

#### 1.1 К настоящему руководству по эксплуатации



#### Импортер и уполномоченная изготовителем организация

- (RU) Российская Федерация  
АО "Хилти Дистрибьюшн ЛТД", 141402, Московская область, г. Химки, ул. Ленинградская, стр. 25, комната 15.26
- (BY) Республика Беларусь  
ИООО "Хилти БиУай", 222750, Минская область, Дзержинский район, Р-1, 18-й км, 2 (около д. Слободка), помещение 1-34
- (KZ) Республика Казахстан  
ТОО "Хилти Казахстан", 050057, г. Алматы, Бостандыкский район, ул. Тимирязева, дом 42/15, литер 012 (корпус15)
- (AM) Республика Армения  
ООО "ЭЙЧ-КОН", 0070, г. Ереван, ул. Ерванда Кочара 19/28

Страна производства: см. маркировочную табличку на оборудовании.

Дата производства: см. маркировочную табличку на оборудовании.

Соответствующий сертификат можно найти по адресу: [www.hilti.ru](http://www.hilti.ru)

Специальных требований к условиям хранения, транспортировки и использования, кроме указанных в руководстве по эксплуатации, нет.



2264218

Русский

81

Срок службы изделия составляет 5 лет.

- Предупреждение! Перед использованием изделия убедитесь в том, что вы полностью изучили прилагаемое к нему руководство по эксплуатации, включая приводимые там инструкции, указания по технике безопасности и предупреждения, иллюстрации и технические характеристики. В частности, ознакомьтесь со всеми инструкциями, указаниями по технике безопасности и предупреждениями, иллюстрациями, техническими характеристиками, а также компонентами и функциями. Несоблюдение этих требований может привести к поражению электрическим током, возгоранию и/или серьезным травмам. Храните руководство по эксплуатации, включая все инструкции, указания по технике безопасности и предупреждения, для последующего использования.
- Изделия предназначены для профессионального использования, поэтому они должны обслуживаться и ремонтироваться только уполномоченным и обученным персоналом. Этот персонал должен пройти специальный инструктаж по технике безопасности. Использование изделия и его оснастки не по назначению или его эксплуатация необученным персоналом могут представлять опасность.
- Прилагаемое руководство по эксплуатации соответствует уровню технического прогресса на момент сдачи в печать. Актуальная версия всегда доступна в режиме онлайн на веб-сайте Hilti с описанием изделия. Для этого перейдите по ссылке или QR-коду, приводимым в настоящем руководстве по эксплуатации с обозначением символом .
- При смене владельца обязательно передавайте настоящее руководство по эксплуатации вместе с изделием.

## 1.2 Пояснение к знакам

### 1.2.1 Предупреждающие указания

Предупреждающие указания служат для предупреждения об опасностях при обращении с изделием. Используются следующие сигнальные слова:

#### ОПАСНО

##### ОПАСНО !

- ▶ Общее обозначение непосредственной опасной ситуации, которая влечет за собой тяжелые травмы или смертельный исход.

#### ПРЕДУПРЕЖДЕНИЕ

##### ПРЕДУПРЕЖДЕНИЕ !

- ▶ Общее обозначение потенциально опасной ситуации, которая может повлечь за собой тяжелые травмы или смертельный исход.

#### ОСТОРОЖНО

##### ОСТОРОЖНО !

- ▶ Общее обозначение потенциально опасной ситуации, которая может повлечь за собой травмы или повреждение оборудования (материальный ущерб).

### 1.2.2 Символы, используемые в руководстве

В этом руководстве используются следующие символы:

	Соблюдать руководство по эксплуатации
	Указания по эксплуатации и другая полезная информация
	Обращение с материалами, пригодными для вторичной переработки
	Не выбрасывайте электроинструменты и аккумуляторы вместе с обычным мусором!
	Hilti Литий-ионный аккумулятор (Li-Ion)
	Зарядное устройство Hilti





### 1.2.3 Символы на изображениях

На изображениях используются следующие символы:

	Эти цифры указывают на соответствующее изображение в начале данного руководства.
3	Нумерация на изображениях отображает порядок выполнения рабочих операций и может отличаться от нумерации, используемой в тексте.
	Номера позиций используются в <b>обзорном</b> изображении. В <b>обзоре изделия</b> они указывают на номера в экспликации.
	Этот знак должен привлечь особое внимание пользователя при обращении с изделием.

## 1.3 Символы в зависимости от изделия

### 1.3.1 Дополнительные символы

В этом документе и на электроинструменте могут также использоваться следующие символы:

$n_0$	Частота ходов в холостом режиме
	Постоянный ток
Li-Ion	Литий-ионный аккумулятор (Li-Ion)
	Изделие поддерживает технологию NFC, совместимую с платформами iOS и Android.
	Никогда не используйте аккумулятор в качестве ударного инструмента.
	Не допускайте падения аккумулятора. Не используйте аккумулятор, который получил повреждения вследствие удара или каким-либо иным образом.

## 2 Безопасность

### 2.1 Общие указания по технике безопасности для электроинструментов

**⚠ ПРЕДУПРЕЖДЕНИЕ** Изучите все указания по технике безопасности, инструкции, иллюстрации и технические данные, которые прилагаются к данному электроинструменту. Несоблюдение приводимых ниже указаний может привести к поражению электрическим током, пожару и/или тяжелым травмам.

**Сохраните все указания по технике безопасности и инструкции для следующего пользователя.**

Используемый далее термин «электроинструмент» относится к электроинструменту, работающему от электрической сети (с кабелем электропитания) и от аккумулятора (без кабеля электропитания).

#### Безопасность рабочего места

- ▶ Следите за чистотой и хорошей освещенностью на рабочем месте. Беспорядок на рабочем месте или плохое освещение могут привести к несчастным случаям.
- ▶ Не используйте электроустройство/электроинструмент во взрывоопасной зоне, где имеются горючие жидкости, газы или пыль. При работе электроустройство/электроинструмент искрит, и искры могут воспламенить пыль или пары/газы.
- ▶ Не разрешайте детям и посторонним приближаться к работающему электроустройству/электроинструменту. Отвлекаясь от работы, можно потерять контроль над электроустройством/электроинструментом.

#### Электрическая безопасность

- ▶ Соединительная вилка электроинструмента должна соответствовать розетке электросети. Не изменяйте конструкцию вилки! Не используйте переходные вилки с электроинструментами с защитным заземлением. Использование оригинальных вилок и соответствующих им розеток снижает риск поражения электрическим током.
- ▶ Избегайте непосредственного контакта с заземленными поверхностями, например с трубами, отопительными приборами, газо-/электропластинами и холодильниками. При контакте с заземленными предметами возникает повышенный риск поражения электрическим током.
- ▶ Предохраняйте электроинструменты от дождя или воздействия влаги. В результате попадания воды в электроинструмент возрастает риск поражения электрическим током.



- ▶ **Не используйте кабель электропитания не по назначению, например для переноски электроинструмента, его подвешивания или для выдергивания вилки из розетки электросети. Защищайте кабель электропитания от воздействий высоких температур, масла, острых кромок или вращающихся деталей/узлов.** В результате повреждения или схлестывания кабелей электропитания повышается риск поражения электрическим током.
- ▶ **Если работы с электроинструментом выполняются на открытом воздухе, применяйте только удлинительные кабели, которые разрешено использовать вне помещений.** Использование удлинительного кабеля, пригодного для использования вне помещений, снижает риск поражения электрическим током.
- ▶ **Если избежать работы с электроинструментом в условиях влажности не представляется возможным, используйте автомат защиты от тока утечки.** Использование автомата защиты от тока утечки снижает риск поражения электрическим током.

#### Безопасность персонала

- ▶ **Будьте внимательны, следите за своими действиями и серьезно относитесь к работе с электроинструментом. Не пользуйтесь электроинструментом, если вы устали или находитесь под действием наркотиков, алкоголя или медикаментов.** Незначительная ошибка при невнимательной работе с электроинструментом может стать причиной серьезного травмирования.
- ▶ **Используйте средства индивидуальной защиты и всегда надевайте защитные очки.** Использование средств индивидуальной защиты, например респиратора, защитной обуви на нескользящей подошве, защитной каски или защитных наушников, в зависимости от вида и условий эксплуатации электроинструмента, снижает риск травмирования.
- ▶ **Избегайте непреднамеренного включения электроинструмента. Убедитесь в том, что электроинструмент выключен, прежде чем подключить его к электропитанию и/или вставить аккумулятор, поднимать или переносить электроинструмент.** Ситуации, когда при переноске электроинструмента палец находится на выключателе или когда включенный электроинструмент подключается к электросети, могут привести к несчастным случаям.
- ▶ **Перед включением электроинструмента удалите регулировочные приспособления или гаечные ключи.** Рабочий инструмент или гаечный ключ, находящийся во вращающейся части электроинструмента, может стать причиной получения травм.
- ▶ **Старайтесь избегать неестественных поз при работе. Постоянно сохраняйте устойчивое положение и равновесие.** Это позволит лучше контролировать электроинструмент в непредвиденных ситуациях.
- ▶ **Носите спецодежду. Не надевайте очень свободную одежду или украшения. Оберегайте волосы, одежду и защитные перчатки от вращающихся узлов электроинструмента.** Свободная одежда, украшения и длинные волосы могут быть захвачены ими.
- ▶ **Если предусмотрено подсоединение устройств для удаления и сбора пыли, убедитесь в том, что они подсоединены и используются по назначению.** Использование пылеудаляющего аппарата снижает вредное воздействие пыли.
- ▶ **Не пребывайте в ложной уверенности в собственной безопасности и не пренебрегайте правилами техники безопасности для электроинструментов, даже если вы являетесь опытным пользователем электроинструмента.** Неосторожное обращение может в течение долей секунды стать причиной получения тяжелых травм.

#### Использование и обслуживание электроинструмента

- ▶ **Не допускайте перегрузки электроинструмента. Используйте электроинструмент, предназначенный именно для данной работы.** Соблюдение этого правила обеспечит более высокое качество и безопасность работы в указанном диапазоне мощности.
- ▶ **Не используйте электроинструмент с неисправным выключателем.** Электроинструмент, включение или выключение которого затруднено, представляет опасность и должен быть отремонтирован.
- ▶ **Прежде чем приступить к регулировке электроинструмента, замене принадлежностей или перед перерывом в работе выньте вилку из розетки и/или аккумулятор из электроинструмента.** Данная мера предосторожности позволит предотвратить непреднамеренное включение электроинструмента.
- ▶ **Храните неиспользуемые электроинструменты в местах, недоступных для детей. Не позволяйте использовать электроинструмент лицам, которые не ознакомлены с ним или не читали эти инструкции.** Электроинструменты представляют собой опасность в руках неопытных пользователей.
- ▶ **Бережно обращайтесь с электроинструментами и принадлежностями. Проверяйте безупречное функционирование подвижных частей, легкость их хода, целостность и отсутствие повреждений, которые могли бы отрицательно повлиять на работу электроинструмента. Сдавайте поврежденные части электроинструмента в ремонт до его использования.** Причиной



многих несчастных случаев является несоблюдение правил технического обслуживания электроинструментов.

- ▶ **Необходимо следить за тем, чтобы режущие инструменты были острыми и чистыми.** Заклинивание содержащихся в надлежащем состоянии режущих инструментов происходит реже, ими легче управлять.
- ▶ **Применяйте электроинструмент, принадлежности (оснастку), рабочие инструменты и т. д. согласно данным указаниям. Учитывайте при этом рабочие условия и характер выполняемой работы.** Использование электроинструментов не по назначению может привести к опасным ситуациям.
- ▶ **Замасленные рукоятки и поверхности для хвата немедленно очищайте — они должны быть сухими и чистыми.** Скользкие рукоятки и поверхности для хвата не обеспечивают безопасное управление и контроль электроинструмента в непредвиденных ситуациях.

#### Использование и обслуживание аккумуляторного инструмента

- ▶ **Заряжайте аккумуляторы только с помощью зарядных устройств, рекомендованных изготовителем.** При использовании зарядного устройства для зарядки несоответствующих ему типов аккумуляторов существует опасность возгорания.
- ▶ **Используйте только оригинальные аккумуляторы, рекомендованные специально для этого электроинструмента.** Использование других аккумуляторов может привести к травмам и опасности возгорания.
- ▶ **Неиспользуемые аккумуляторы храните вдали от скрепок, монет, ключей, гвоздей, шурупов или других мелких металлических предметов, которые могут стать причиной замыкания контактов.** Замыкание контактов аккумулятора может привести к ожогам или возгоранию.
- ▶ **При неверном обращении с аккумулятором из него может вытечь электролит. Избегайте контакта с ним. При случайном контакте смойте водой. При попадании электролита в глаза немедленно обратитесь за помощью к врачу.** Вытекший из аккумулятора электролит может привести к раздражению кожи или ожогам.
- ▶ **Не используйте поврежденный или измененный аккумулятор.** Поврежденные или измененные аккумуляторы могут функционировать непредсказуемо и стать причиной возгорания, взрыва или травмирования.
- ▶ **Не подвергайте аккумулятор воздействию огня или слишком высоких температур.** Огонь или температура свыше 130 °C могут спровоцировать взрыв аккумулятора.
- ▶ **Соблюдайте все указания по зарядке и никогда не заряжайте аккумулятор или аккумуляторный инструмент вне температурного диапазона, указанного в руководстве по эксплуатации.** Неправильная зарядка/зарядка вне указанного в руководстве по эксплуатации температурного диапазона могут привести к разрушению аккумулятора и повышают опасность возгорания.

#### Сервис

- ▶ **Доверяйте ремонт своего электроинструмента только квалифицированному персоналу, использующему только оригинальные запчасти.** Этим обеспечивается поддержание электроинструмента в безопасном состоянии.
- ▶ **Категорически запрещается выполнять обслуживание поврежденных аккумуляторов.** Все технические работы с аккумуляторами должны выполняться только производителем или авторизованными сервисными мастерами.

### 2.2 Указания по технике безопасности для пил с подвижным пильным полотном

- ▶ **При опасности повреждения рабочим инструментом скрытой электропроводки держите электроинструмент за изолированные поверхности.** При контакте с токопроводящей линией металлические части электроинструмента также находятся под напряжением, что может привести к поражению электрическим током.
- ▶ **Закрепляйте и фиксируйте заготовку с помощью струбцин или иным надежным способом на прочном основании.** Если удерживать заготовку только рукой или прижимать к туловищу, она остается подвижной, что может привести к потере контроля.

### 2.3 Дополнительные указания по технике безопасности

- ▶ Используйте электроинструмент и его принадлежности только в технически исправном состоянии.
- ▶ Внесение изменений в конструкцию электроинструмента/принадлежностей или его/их модификация категорически запрещаются.
- ▶ Перед началом работы проверяйте рабочую зону на наличие скрытой электропроводки, газо- и водопроводных труб. Открытые металлические части электроинструмента могут стать проводниками



электрического тока или привести к взрыву, если случайно задеть (повредить) электропроводку, газо- или водопровод.

- ▶ Всегда следите за чистой вентиляционных прорезей. Опасность возгорания вследствие перекрытия вентиляционных прорезей!
- ▶ При выполнении работ с электроинструментом надевайте защитные очки, защитные наушники и защитные перчатки.
- ▶ Пользуйтесь защитными очками. Осколки материала могут травмировать тело и глаза.
- ▶ Пыль, возникающая при шлифовании, абразивной обработке, резке и сверлении, может содержать опасные химические вещества. Несколько примеров материалов, содержащих опасные вещества: свинец или краски на свинцовой основе; кирпич, бетон и другие материалы для кладки, природный камень и другие силикатсодержащие изделия; определенные виды древесины, такие как дуб, бук и химически обработанная древесина; асбест или материалы, содержащие асбест. Определите степень воздействия на оператора и окружающих лиц по классу опасности обрабатываемых материалов. Примите необходимые меры для обеспечения безопасного уровня воздействия, например, путем использования подходящих систем пылеудаления или ношения подходящих средств защиты органов дыхания. Общие меры по снижению опасного воздействия:
  - ▶ Работайте в хорошо проветриваемом помещении.
  - ▶ Избегайте длительного контакта с пылью.
  - ▶ Удаляйте пыль с лица и тела.
  - ▶ Носите защитную одежду и промывайте открытые участки, подверженные воздействию, водой с мылом.
- ▶ Опасность травмирования вследствие падения инструментов и/или принадлежностей. Перед началом работы убедитесь в том, что аккумулятор и установленная принадлежность надежно закреплены.
- ▶ Включайте электроинструмент только после того, как вы приведете его в рабочее положение.
- ▶ Всегда крепко держите электроинструмент за предназначенные для этого рукоятки. Следите за тем, чтобы рукоятки были сухими и чистыми.
- ▶ Чтобы во время работы руки не затекали, время от времени делайте перерывы и упражнения для расслабления и разминки пальцев. Возникающие при длительной работе вибрации могут привести к нарушениям кровоснабжения сосудов или в нервных окончаниях пальцев/кистей рук или в запястьях.
- ▶ Запрещается прямой визуальный контакт со светодиодной подсветкой электроинструмента! Не светите в лицо другим людям — опасность временного ослепления!
- ▶ Дождитесь полной остановки электроинструмента, прежде чем убирать его в сторону.
- ▶ При смене рабочего инструмента пользуйтесь защитными перчатками. Соблюдайте осторожность при замене рабочего инструмента — контакт с ним может привести к порезам и ожогам!

#### **Специальные указания по технике безопасности при работе с лобзиками**

- ▶ При пилении ведите электроинструмент только от себя.
- ▶ Во время работы держите руки на безопасном расстоянии от пыльного полотна; не держите их перед пыльным полотном.
- ▶ При пилении никогда не погружайте полотно в непроверенные основания и полости. Убедитесь в отсутствии помех над заготовкой и под ней по всей длине реза.
- ▶ При пилении не держите заготовку снизу.

#### **2.4 Аккуратное обращение с аккумуляторами и их правильное использование**

- ▶ **Соблюдайте следующие указания по технике безопасности для безопасного обращения и использования литий-ионных аккумуляторов.** Их несоблюдение может привести к раздражениям кожи, серьезным травмам, химическим ожогам, возгоранию и/или взрывам.
- ▶ Используйте аккумуляторы только в технически исправном состоянии.
- ▶ Обращайтесь с аккумуляторами осторожно, чтобы не допустить повреждений и предотвратить выход жидкостей, представляющих серьезную опасность для здоровья!
- ▶ Категорически запрещается вносить изменения в конструкцию аккумуляторов или выполнять недопустимые манипуляции с ними!
- ▶ Запрещается разбирать, сдавливать, нагревать до температуры выше 80 °C (176 °F) или сжигать аккумуляторы.
- ▶ Не используйте или не заряжайте аккумуляторы, которые подвергались механическим (ударным) нагрузкам или получили повреждение каким-либо иным образом. Регулярно проверяйте используемые вами аккумуляторы на признаки повреждений.



- ▶ Категорически запрещается использовать восстановленные аккумуляторы или аккумуляторы после вторичной переработки.
- ▶ Категорически запрещается использовать аккумулятор или работающие от аккумулятора электроинструменты в качестве ударного инструмента.
- ▶ Категорически запрещается подвергать аккумуляторы воздействию прямого солнечного излучения, высокой температуры, искры или открытого пламени. Это может привести к взрывам.
- ▶ Не касайтесь аккумуляторных клемм (полюсов) пальцами, рабочими инструментами, украшениями или иными токопроводящими предметами. Это можно повредить аккумулятор, а также привести к материальному ущербу и травмам.
- ▶ Предохраняйте аккумуляторы от дождя, повышенной влажности и жидкостей. Проникшая влага может привести к коротким замыканиям, ударам электрическим током, ожогам, возгоранию или взрывам.
- ▶ Используйте только допущенные для данного типа аккумуляторов зарядные устройства и электроинструменты. Соблюдайте указания, приводимые в соответствующих руководствах по эксплуатации.
- ▶ Не используйте или не храните аккумулятор во взрывоопасных зонах.
- ▶ Слишком сильный нагрев аккумулятора (такой, что до него невозможно дотронуться) указывает на его возможный дефект. Разместите аккумулятор на безопасном расстоянии от воспламеняющихся материалов в хорошо просматриваемом и пожаробезопасном месте. Дайте остыть аккумулятору. Если по истечении одного часа аккумулятор все еще остается таким горячим, что его нельзя взять в руки, это означает, что он неисправен. Обратитесь в сервисную службу **Hilti** или изучите документ «Указания по технике безопасности и использованию литий-ионных аккумуляторов **Hilti**».

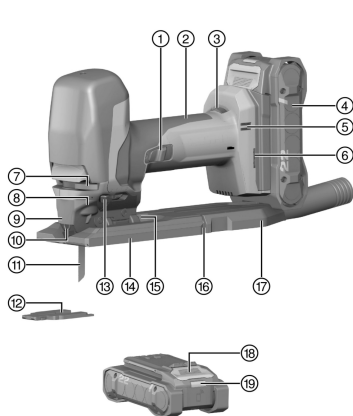


Соблюдайте специальные директивы по транспортировке, хранению и использованию литий-ионных аккумуляторов. 95

Ознакомьтесь с указаниями по технике безопасности и использованию литий-ионных аккумуляторов **Hilti**, которые можно посмотреть путем сканирования QR-кода в конце этого руководства по эксплуатации.

## 3 Описание

### 3.1 Обзор изделия



- ① Выключатель
- ② Рукоятка
- ③ Регулятор частоты ходов
- ④ Аккумулятор
- ⑤ Вентиляционные прорези
- ⑥ Монтажное отверстие для принадлежности
- ⑦ Рычаг разблокировки полотна
- ⑧ Зажимной патрон
- ⑨ Кожух
- ⑩ Защита от контакта
- ⑪ Пильное полотно
- ⑫ Противоскольная защита
- ⑬ Рычаг регулировки маятникового движения
- ⑭ Опорная плита
- ⑮ Шкала для установки угла реза
- ⑯ Крючок фиксации
- ⑰ Адаптер системы пылеудаления
- ⑱ Кнопка деблокировки аккумулятора
- ⑲ Индикатор статуса аккумулятора

### 3.2 Использование по назначению

Данный электроинструмент представляет собой ручной аккумуляторный маятниковый лобзик, которая предназначен для резки пластмассы, древесины и металла, а также гипсокартонных и волокнистых плит.



Лобзик оснащен съемным соединительным штуцером для подключения доступного в виде опции пылесоса. Подключение предназначено для стандартных всасывающих шлангов. Для подсоединения всасывающего шланга (пылесоса) к лобзику может потребоваться подходящий переходник.

- Для этого электроинструмента используйте только литий-ионные аккумуляторы **Hilti** Nuron серии В 22. Для обеспечения оптимальной мощности **Hilti** рекомендует использовать с этим электроинструментом аккумуляторы, указанные в таблице в конце этого руководства по эксплуатации.
- Для зарядки этих аккумуляторов используйте только зарядные устройства **Hilti**, указанные в таблице в конце этого руководства по эксплуатации.
- Используйте для этого электроинструмента только пыльные полотна с Т-образным (одноулачковым) хвостовиком.

### 3.3 Возможное использование не по назначению

- Данный электроинструмент не предназначен для спиливания веток и стволов деревьев.
- Данный электроинструмент запрещается использовать для обработки опасных для здоровья материалов.
- Данный электроинструмент запрещается использовать во влажной среде.

### 3.4 Индикации состояния литий-ионного аккумулятора

Литий-ионные аккумуляторы **Hilti** Nuron оснащены светодиодами для индикации уровня заряда, сигналов ошибки и состояния батареи.

#### 3.4.1 Индикация уровня заряда и сигналов ошибки



#### ПРЕДУПРЕЖДЕНИЕ

##### Опасность травмирования вследствие падения аккумулятора!

- ▶ При вставленном аккумуляторе путем нажатия кнопки разблокировки убедитесь в правильной повторной фиксации аккумулятора в используемом электроинструменте.

Для получения одной из следующих индикаций коротко нажмите кнопку разблокировки аккумулятора. Уровень заряда, а также возможные неисправности также отображаются в течение всего времени, пока подключенный (к аккумулятору) электроинструмент включен.

Состояние	Значение
Четыре (4) светодиода непрерывно горят зеленым.	Уровень заряда: от 100 % до 71 %
Три (3) светодиода непрерывно горят зеленым.	Уровень заряда: от 70 % до 51 %
Два (2) светодиода непрерывно горят зеленым.	Уровень заряда: от 50 % до 26 %
Один (1) светодиод непрерывно горит зеленым.	Уровень заряда: от 25 % до 10 %
Один (1) светодиод мигает зеленым с низкой частотой.	Уровень заряда: < 10 %
Один (1) светодиод мигает зеленым с высокой частотой.	Литий-ионный аккумулятор полностью разряжен. Зарядите аккумулятор. Если светодиод после зарядки аккумулятора все еще мигает с высокой частотой, обратитесь в сервисную службу <b>Hilti</b> .
Один (1) светодиод мигает желтым с высокой частотой.	Литий-ионный аккумулятор или подключенный к нему электроинструмент перегружены, слишком горячие, слишком холодные или имеет место другая ошибка. Обеспечьте доведение электроинструмента и аккумулятора до рекомендуемой рабочей температуры и не перегружайте электроинструмент при его использовании. Если сигнал остается, обратитесь в сервисную службу <b>Hilti</b> .



Состояние	Значение
Один (1) светодиод горит желтым.	Литий-ионный аккумулятор и сопряженный с ним электроинструмент не совместимы друг с другом. Обратитесь в сервисный центр <b>Hilti</b> .
Один (1) светодиод мигает красным с высокой частотой.	Литий-ионный аккумулятор заблокирован и его дальнейшее использование невозможно. Обратитесь в сервисный центр <b>Hilti</b> .

### 3.4.2 Индикаторы состояния аккумулятора

Для запроса состояния аккумулятора удерживайте кнопку разблокировки нажатой в течение более 3 с. Система не распознает потенциальное нарушение работы аккумуляторной батареи вследствие неправильного обращения, например, падения, проколов, внешнего термического воздействия и т. д.

Состояние	Значение
Все светодиоды загораются в виде бегущего огня, после чего один (1) светодиод горит зеленым.	Аккумулятор можно продолжать использовать.
Все светодиоды загораются в виде бегущего огня, после чего один (1) светодиод мигает желтым с высокой частотой.	Не удалось завершить запрос состояния аккумулятора. Повторите процесс или обратитесь в сервисную службу <b>Hilti</b> .
Все светодиоды загораются в виде бегущего огня, после чего один (1) светодиод горит красным.	В случае возможности дальнейшего использования подключенного электроинструмента оставшаяся емкость аккумулятора составляет ниже 50 %. Если подключенный электроинструмент больше использовать невозможно, ресурс аккумулятора исчерпан и аккумулятор следует заменить. Обратитесь в сервисный центр <b>Hilti</b> .

### 3.5 Устройство сдува опилок

Устройство сдува опилок направляет на пильное полотно струю воздуха, которая сдувает опилки с линии реза.

### 3.6 Частота ходов

Частоту ходов можно отрегулировать с помощью регулятора (колесика). Позиция «1» соответствует 800 ход/мин, позиция «6» — 3000 ход/мин.

### 3.7 4-ступенчатая регулировка маятникового хода

Глубина и качество реза устанавливаются в зависимости от обрабатываемого материала посредством 4-ступенчатой регулировки маятникового хода. Переключение между 4 ступенями выполняется с помощью рычага.

Чем меньше ступень маятникового хода, тем более чистой и гладкой будет кромка реза. Оптимальная ступень определяется путем пробных резов.

Состояние	Значение
Ступень 0	Без маятникового хода
Ступень 1	Небольшой маятниковый ход
Ступень 2	Средний маятниковый ход
Ступень 3	Большой маятниковый ход

### 3.8 Противоскользящая защита

Электроинструмент может оснащаться противоскользящей защитой, которая предотвращает вырывание верхних слоев древесины при пилении деревянных заготовок.



### 3.9 Автоматическое выключение электроинструмента

В случае непрерывного нажатия выключателя более 15 мин (например, при транспортировке или хранении) происходит автоматическое выключение электроинструмента. Это позволяет избежать глубокого разряда аккумулятора.

### 3.10 Комплект поставки

Маятниковый электролобзик с пильным полотном, кожух, адаптер системы пылеудаления, противоскользящая защита, руководство по эксплуатации, ключ-шестигранник.

Другие системные принадлежности, допущенные для использования с этим изделием, вы можете найти в **Hilti Store** или на сайте **www.hilti.group**

## 4 Технические данные

### 4.1 Маятниковый электролобзик

	<b>SJT 6-22</b>
<b>Поколение изделия</b>	02
<b>Номинальное напряжение</b>	21,6 В
<b>Масса по EPTA Procedure 01 без аккумулятора</b>	2,1 кг
<b>Длина хода</b>	28 мм
<b>Частота ходов в холостом режиме (n<sub>0</sub>)</b>	800 об/мин ... 3 000 об/мин
<b>Макс. глубина реза в древесине</b>	150 мм
<b>Макс. глубина реза в алюминии</b>	25 мм
<b>Макс. глубина реза в нелегированной стали</b>	10 мм
<b>Угол реза (слева/справа)</b>	0° ... 45°
<b>Наружный диаметр адаптера системы пылеудаления</b>	27,5 мм
<b>Температура хранения</b>	-20 °C ... 70 °C
<b>Температура окружающей среды при эксплуатации</b>	-17 °C ... 60 °C

### 4.2 Данные о шуме и вибрации

Приводимые здесь значения уровня звукового давления и вибрации были измерены согласно стандартизированной процедуре измерения и могут использоваться для сравнения электроинструментов между собой. Они также подходят для предварительной оценки вредных воздействий.

Указанные данные применимы к основным областям применения электроинструмента. Однако, если электроинструмент используется для других целей, с другими рабочими (сменными) инструментами или в случае его неудовлетворительного технического обслуживания, данные могут быть иными. Вследствие этого в течение всего периода работы электроинструмента возможно значительное увеличение вредных воздействий.

Для точного определения вредных воздействий следует также учитывать промежутки времени, в течение которых электроинструмент находится в выключенном состоянии или работает вхолостую. Вследствие этого в течение всего периода работы электроинструмента возможно заметное уменьшение вредных воздействий.

Примите дополнительные меры безопасности для защиты пользователя от воздействия возникающего шума и/или вибраций, например: техническое обслуживание электроинструмента и рабочих (сменных) инструментов, сохранение тепла рук, правильная организация рабочих процессов.



Подробную информацию о версиях примененных здесь стандартов **EN 62841** см. в копии декларации соответствия нормам 251.

### Значения уровня шума

	<b>SJT 6-22</b>
<b>Уровень звуковой мощности (L<sub>WA</sub>)</b>	99 дБ(А)
<b>Погрешность уровня звуковой мощности (K<sub>WA</sub>)</b>	5 дБ(А)





	<b>SJT 6-22</b>
Уровень звукового давления ( $L_{pA}$ )	91 дБ(A)
Погрешность уровня звукового давления ( $K_{pA}$ )	5 дБ(A)

#### Общие значения вибрации

		<b>SJT 6-22</b>
Значение вибрации при резке ДСП ( $a_{h,B}$ )	<b>B 22-55</b>	5,2 м/с <sup>2</sup>
	<b>B 22-255</b>	5,3 м/с <sup>2</sup>
Значение вибрации при резке металлических листов ( $a_{h,M}$ )	<b>B 22-55</b>	8,5 м/с <sup>2</sup>
	<b>B 22-255</b>	7,2 м/с <sup>2</sup>
Коэффициент погрешности (K)		1,5 м/с <sup>2</sup>

### 4.3 Аккумулятор

Рабочее напряжение аккумулятора	21,6 В
Масса аккумулятора	См. в конце этого руководства по эксплуатации
Температура окружающей среды при эксплуатации	-17 °C ... 60 °C
Температура хранения	-20 °C ... 40 °C
Температура аккумулятора в начале зарядки	-10 °C ... 45 °C

## 5 Подготовка к работе

### ПРЕДУПРЕЖДЕНИЕ

**Опасность травмирования вследствие непреднамеренного пуска!**

- ▶ Перед установкой аккумулятора убедитесь в том, что соответствующий электроинструмент выключен.
- ▶ Прежде чем приступить к регулировке электроинструмента или замене принадлежностей выньте аккумулятор из электроинструмента.

Соблюдайте указания по технике безопасности и предупреждающие указания, приводимые в данном документе и на изделии.

### 5.1 Зарядка аккумулятора

1. Перед зарядкой изучите руководство по эксплуатации зарядного устройства.
2. Убедитесь в том, что контакты аккумулятора и зарядного устройства чистые и сухие.
3. Заряжайте аккумулятор только в допущенном к эксплуатации зарядном устройстве. 87

### 5.2 Установка аккумулятора

### ПРЕДУПРЕЖДЕНИЕ

**Опасность травмирования вследствие короткого замыкания или падения аккумулятора!**

- ▶ Перед установкой аккумулятора убедитесь в чистоте его контактов и контактов электроинструмента.
  - ▶ Всегда проверяйте, правильно ли зафиксирован аккумулятор.
1. Перед первым вводом в эксплуатацию полностью зарядите аккумулятор.
  2. Прижмите аккумулятор так, чтобы он зафиксировался в аккумуляторном отсеке с характерным щелчком.
  3. Проверьте надежность фиксации аккумулятора.

### 5.3 Извлечение аккумулятора

1. Нажмите кнопку деблокировки аккумулятора.
2. Извлеките аккумулятор из инструмента.



#### 5.4 Установка пыльного полотна 2

1. Вставьте пыльное полотно (зубьями по направлению реза) в зажимной патрон (до характерного щелчка).
2. Потяните за полотно, чтобы убедиться, что оно надежно зафиксировалось.

#### 5.5 Установка кожуха 3

- ▶ Насадите кожух на переднюю часть электроинструмента так, чтобы он зафиксировался.



Установить кожух можно лишь в том случае, если опорная плита находится в стандартном положении (угол реза 0°). 93

#### 5.6 Монтаж адаптера системы пылеудаления 4

1. Надвиньте адаптер системы пылеудаления сзади горизонтально на опорную плиту до фиксации обоих крючков фиксации сбоку.
2. Подсоедините шланг пылесоса к адаптеру.

#### 5.7 Установка противоскользящей защиты 5

- ▶ Вставьте противоскользящую защиту в опорную плиту снизу.



Противоскользящая защита может использоваться только для предназначенных для этого пыльных полотен.

Установить противоскользящую защиту можно лишь в том случае, если опорная плита находится в стандартном положении (угол реза 0°). 93

#### 5.8 Защита от падения

##### ПРЕДУПРЕЖДЕНИЕ

**Опасность травмирования** вследствие падения электроинструмента и/или принадлежности!

- ▶ Используйте только предусмотренный для этого электроинструмента удерживающий трос **Hilti** для инструментов.
- ▶ Перед каждым использованием проверяйте точку крепления удерживающего троса для инструментов на возможные повреждения.
- ▶ Не закрепляйте удерживающий трос для инструментов на крепежном крючке. Не используйте крепежный крючок для подъема электроинструмента.



Соблюдайте национальные директивы по выполнению высотных работ.

Для защиты этого электроинструмента от падения используйте только комбинацию из предохранителя **Hilti** для предупреждения случайного срабатывания при ударе и удерживающего троса для инструментов **Hilti** #2261970.

- ▶ Закрепляйте предохранитель для предупреждения случайного срабатывания при ударе в монтажных отверстиях для принадлежностей. Проверяйте надежность фиксации.
- ▶ Закрепляйте один крючок-карабин удерживающего троса для инструментов на предохранителе для предупреждения случайного срабатывания при ударе, а второй — на несущей конструкции. Проверяйте надежность фиксации.



Соблюдайте указания из руководств по эксплуатации предохранителя **Hilti** для предупреждения случайного срабатывания при ударе, а также удерживающего троса для инструментов **Hilti**.

## 6 Управление

Соблюдайте указания по технике безопасности и предупреждающие указания, приводимые в данном документе и на изделии.



## 6.1 Использование системы пылеудаления

Система пылеудаления удаляет пыль с линии реза и тем самым повышает безопасность работы, а также снижает пылевую нагрузку на рабочем месте.

1. Установите кожух. 92
2. При продолжительной обработке заготовок из древесины или других материалов, образующих большое количество пыли, всегда используйте систему пылеудаления.

## 6.2 Регулировка угла реза

1. Демонтируйте адаптер системы пылеудаления. 93
2. Выкрутите винт на опорной плите.
3. Установите нужный угол реза (в диапазоне от 0° до 45° в обоих направлениях).
  - ▶ При угле реза 0° опорная плита находится в неподвижном положении. Для установки угла реза опорную плиту следует сначала оттянуть назад.
  - ▶ Если вы установите опорную плиту обратно на угол реза 0°, то затем снова сдвиньте плиту вперед, чтобы зафиксировать ее в неподвижном положении.
4. Снова затяните винт.
  - ▶ Опорная плита зажата.

## 6.3 Включение

Благодаря защитной функции предотвращается запуск электроинструмента, если он сначала включается, а затем вставляется аккумулятор. Сначала сдвиньте выключатель назад, затем снова вперед.

- ▶ Сдвиньте выключатель вперед.

## 6.4 Врезное пиление

1. Установите рычаг регулировки маятникового хода в положение «0».
2. Установите электроинструмент передней кромкой опорной плиты на заготовку.
3. Удерживая электроинструмент, нажмите выключатель.
4. Плотно прижмите электроинструмент к заготовке и, уменьшая угол наклона, погружайте полотно в материал.
5. После прорезания заготовки установите электроинструмент в нормальное рабочее положение.
  - ▶ Опорная плита прилегает всей поверхностью.
6. Продолжайте пилить по линии реза.

## 6.5 Выключение

- ▶ Сдвиньте выключатель назад.

## 7 Демонтаж

### 7.1 Демонтаж адаптера системы пылеудаления

1. Прижмите оба крючка фиксации внутрь.
2. Отсоедините адаптер системы пылеудаления от опорной плиты движением назад.
3. Отсоедините шланг пылесоса от адаптера.

### 7.2 Снятия кожуха

- ▶ Слегка наклоните кожух и снимите его движением вперед.



### 7.3 Выталкивание пыльного полотна

#### ПРЕДУПРЕЖДЕНИЕ

**Опасность травмирования!** Неконтролируемое выталкивание пыльного полотна может привести к травмам.

- ▶ При выталкивании полотна держите электроинструмент таким образом, чтобы выталкиваемое полотно случайно не травмировало находящихся рядом людей и животных.
- ▶ Сдвиньте рычаг разблокировки пыльного полотна в сторону до упора.
  - ▶ Пыльное полотно будет расфиксировано и вытолкнуто.

## 8 Уход и техническое обслуживание

#### ПРЕДУПРЕЖДЕНИЕ

**Опасность травмирования при установленном аккумуляторе !**

- ▶ Перед проведением любых работ по уходу и обслуживанию всегда извлекайте аккумулятор!

#### Уход за электроинструментом

- Удаляйте налипшую грязь с осторожностью.
- Осторожно очищайте вентиляционные прорези (при наличии) сухой мягкой щеткой.
- Очищайте корпус только слегка увлажненной тканью. Не используйте средства по уходу с содержанием силикона, поскольку они могут повредить пластиковые детали.
- Для очистки контактов электроинструмента используйте чистую сухую тряпку.

#### Уход за литий-ионными аккумуляторами

- Категорически запрещается использовать аккумулятор с забитыми вентиляционными прорезями. Осторожно очистите вентиляционные прорези сухой мягкой щеткой.
- Не допускайте чрезмерного запыления или загрязнения аккумулятора. Категорически запрещается подвергать аккумулятор чрезмерному воздействию влаги (например, опускать его в воду или оставлять под дождем).

Если аккумулятор промокнет, обращайтесь с ним, как с поврежденным. Поместите его в контейнер из негорючего материала и обратитесь в сервисную службу **Hilti**.

- Аккумулятор должен быть чистым, без следов масла и смазки. Не допускайте чрезмерного скопления пыли или грязи на аккумуляторе. Очищайте аккумулятор сухой мягкой кистью или чистой и сухой тряпкой. Не используйте средства по уходу с содержанием силикона, поскольку они могут повредить пластиковые детали.

Не прикасайтесь к контактам аккумулятора и не удаляйте с них смазку, нанесенную на заводе.

- Очищайте корпус только слегка увлажненной тканью. Не используйте средства по уходу с содержанием силикона, поскольку они могут повредить пластиковые детали.

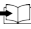

#### Техническое обслуживание

- Регулярно проверяйте все видимые части электроинструмента на отсутствие повреждений, а элементы управления — на исправное функционирование.
- При повреждениях и/или функциональных сбоях не используйте электроинструмент. Незамедленно сдайте его для ремонта в сервисный центр **Hilti**.
- После ухода за электроинструментом и его технического обслуживания установите все защитные приспособления на место и проверьте их исправное функционирование.



Для обеспечения безопасной эксплуатации используйте только оригинальные запасные части и расходные материалы. Допущенные **Hilti** запасные части, расходные материалы и принадлежности для этого электроинструмента вы можете найти в **Hilti Store** или на: [www.hilti.group](http://www.hilti.group)

### 8.1 Очистка адаптера системы пылеудаления

1. Демонтируйте адаптер системы пылеудаления.  93
2. Очистите адаптер системы пылеудаления.
3. Проверьте, не повреждены ли крючки фиксации.
4. Смонтируйте адаптер системы пылеудаления.  92



## 8.2 Очистка пыльных полотен

1. Регулярно удаляйте налипания смолы с используемых пыльных полотен.
2. Положите пыльные полотна на сутки в керосин или обычное средство для обессмоливания.

## 9 Транспортировка и хранение аккумуляторных инструментов и аккумуляторов

### Транспортировка

#### ОСТОРОЖНО

#### Непреднамеренное включение в ходе транспортировки !

- ▶ При транспортировке своих электроинструментов всегда отсоединяйте от них аккумуляторы!
- ▶ Извлеките аккумулятор(ы).
- ▶ Категорически запрещается транспортировать аккумуляторы без упаковки (бестарным способом). Во время транспортировки необходимо принять меры по защите аккумуляторов от сильных ударов и вибраций и изолировать их от любых токопроводящих материалов или других аккумуляторов, чтобы не допустить их контакта с клеммами других аккумуляторов и, как следствие этого, короткого замыкания. **Соблюдайте действующие предписания по транспортировке аккумуляторов.**
- ▶ Запрещается пересылать аккумуляторы по почте. Обратитесь в транспортно-экспедиционную компанию, если вы хотите переслать поврежденные аккумуляторы.
- ▶ Перед каждым использованием, а также перед длительной транспортировкой и после нее проверьте электроинструмент и аккумуляторы на отсутствие повреждений.

### Хранение

#### ПРЕДУПРЕЖДЕНИЕ

#### Непреднамеренное повреждение вследствие неисправных или протекающих аккумуляторов !

- ▶ При хранении своих электроинструментов всегда отсоединяйте от них аккумуляторы!
- ▶ По возможности храните фонарь и аккумуляторы в сухом и прохладном месте. Соблюдайте ограничения по температуре, приводимые в технических характеристиках.
- ▶ Не храните аккумуляторы на зарядном устройстве. После зарядки всегда извлекайте аккумулятор из зарядного устройства.
- ▶ Никогда не оставляйте аккумуляторы на солнце, на нагревательных/отопительных элементах или за стеклом.
- ▶ Храните фонарь и аккумуляторы в недоступном для детей и посторонних лиц месте.
- ▶ Перед каждым использованием, а также перед длительным хранением и после него проверяйте электроинструмент и аккумуляторы на отсутствие повреждений.

## 10 Помощь при неисправностях

При любых неисправностях следите за индикатором уровня заряда и неисправностей аккумулятора. См. главу **Индикации состояния литий-ионного аккумулятора**.

В случае неисправностей, которые не указаны в этой таблице или которые вы не можете устранить самостоятельно, обращайтесь в ближайший сервисный центр **Hilti**.

Неисправность	Возможная причина	Решение
Пильное полотно выпадает.	Пильное полотно не закреплено должным образом.	<ul style="list-style-type: none"> <li>▶ Еще раз зажмите полотно.</li> <li>▶ При этом обратите внимание на то, чтобы зажимное устройство было полностью открыто, а пильное полотно вставлялось с преодолением сопротивления.</li> </ul>
	Загрязнена система зажима.	<ul style="list-style-type: none"> <li>▶ Очистите зажимной патрон.</li> </ul>
Пильное полотно не вставляется.	Загрязнена система зажима.	<ul style="list-style-type: none"> <li>▶ Очистите зажимной патрон.</li> </ul>
Не регулируется величина маятникового хода.	Паз рычага регулировки маятникового движения загрязнен.	<ul style="list-style-type: none"> <li>▶ Очистите от грязи паз рычага регулировки маятникового движения.</li> </ul>



Неисправность	Возможная причина	Решение
Маятниковый режим не работает.	Маятниковый механизм загрязнен.	▶ Проверьте и при необходимости прочистите маятниковую вилку.
	Рычаг регулировки маятникового движения находится в положении «0».	▶ Установите рычаг на нужную ступень.
Аккумулятор разряжается быстрее, чем обычно.	Очень низкая температура внешней среды.	▶ Обеспечьте постепенный нагрев аккумулятора до комнатной температуры.
При установке аккумулятора не слышно характерного щелчка.	Грязь на фиксирующем выступе аккумулятора	▶ Очистите фиксирующий выступ и установите аккумулятор повторно.
Сильный нагрев (внутри) электроинструмента или аккумулятора.	Электрическая неисправность	▶ Немедленно выключите дозатор, извлеките аккумулятор и наблюдайте за ним, дайте остыть аккумулятору и свяжитесь с сервисной службой <b>Hilti</b> .
Светодиодные индикаторы аккумулятора ничего не показывают	Дефект аккумулятора	▶ Обратитесь в сервисный центр <b>Hilti</b> .

## 11 Утилизация



### ПРЕДУПРЕЖДЕНИЕ

**Опасность травмирования вследствие неправильной утилизации!** Опасность для здоровья вследствие выхода газов или жидкостей.

- ▶ Не пересылайте поврежденные аккумуляторы!
- ▶ Закрывайте аккумуляторные контакты не проводящим ток материалом, чтобы избежать коротких замыканий.
- ▶ Утилизируйте аккумуляторы так, чтобы исключить их попадание в руки детей.
- ▶ Утилизируйте аккумулятор через ближайший **Hilti Store** или обратитесь в специализированную фирму по утилизации.

Большинство материалов, из которых изготовлены устройства **Hilti**, подлежат вторичной переработке. Перед утилизацией следует тщательно рассортировать материалы (для удобства их последующей переработки). Во многих странах фирма **Hilti** уже организовала прием бывших в использовании электрических и электронных устройств (инструментов, приборов) для утилизации. Дополнительную информацию по этому вопросу можно получить в отделе по обслуживанию клиентов или у консультантов по продажам фирмы **Hilti**.



- ▶ Не выбрасывайте электрические инструменты, электронные устройства/приборы и аккумуляторы вместе с обычным мусором!

## 12 Гарантия производителя

- ▶ С вопросами по поводу гарантийных условий обращайтесь в ближайшее представительство **Hilti**.



## 13 Дополнительная информация

Дополнительную информацию относительно управления, технического оснащения, защиты окружающей среды и повторного использования см. по следующей ссылке: [qr.hilti.com/manual/?id=2264217&id=2264218](http://qr.hilti.com/manual/?id=2264217&id=2264218)

Эта ссылка также приводится в конце документа в виде QR-кода.



## Оригінальна інструкція з експлуатації

### 1 Інформація щодо інструкції з експлуатації

#### 1.1 Про цю інструкцію з експлуатації

- **Попередження!** Перед використанням продукту слід обов'язково прочитати та зрозуміти інструкції з експлуатації, що додається, у тому числі інструкції, вказівки з техніки безпеки, попереджувальні вказівки, ілюстрації та технічні характеристики. Зокрема, ознайомтеся з усіма інструкціями, вказівками з техніки безпеки, попереджувальними вказівками, ілюстраціями, технічними характеристиками, а також інформацією щодо компонентів та функцій. Недотримання цієї вимоги може призвести до ризику ураження електричним струмом, виникнення пожежі та/або тяжких травм. Зберігайте інструкцію з експлуатації, зокрема всі інструкції, вказівки з техніки безпеки та попереджувальні вказівки, щоб можна було звернутися до них у майбутньому.
- **HILTI** Інструменти призначені для професійного використання, а тому їхню експлуатацію, технічне обслуговування та ремонт слід доручати лише авторизованому персоналу зі спеціальною підготовкою. Цей персонал повинен бути спеціально проінструктований про можливі ризики. Інструмент та допоміжне приладдя можуть стати джерелом небезпеки у разі їхнього неправильного застосування некваліфікованим персоналом або у разі використання не за призначенням.
- Інструкція з експлуатації, що додається до продукту, відповідає стану науки і техніки, актуальному на момент її друку. Більш актуальну версію інструкції з експлуатації можна знайти в інтернеті на сторінці з інформацією про продукти Hilti. Для цього перейдіть за посиланням або QR-кодом у цій інструкції з експлуатації, що позначені символом
- У разі зміни власника передавайте продукт лише разом із цією інструкцією з експлуатації.

#### 1.2 Пояснення символів

##### 1.2.1 Попереджувальні вказівки

Попереджувальні вказівки інформують користувача про фактори небезпеки, пов'язані із застосуванням інструмента. Використовуються такі сигнальні слова:

##### НЕБЕЗПЕКА

##### НЕБЕЗПЕКА !

- ▶ Указує на безпосередню небезпеку, що може призвести до отримання тяжких тілесних ушкоджень або навіть до смерті.

##### ПОПЕРЕДЖЕННЯ

##### ПОПЕРЕДЖЕННЯ !

- ▶ Указує на потенційно небезпечну ситуацію, яка може призвести до отримання тяжких тілесних ушкоджень або навіть смерті.

##### ОБЕРЕЖНО

##### ОБЕРЕЖНО !

- ▶ Указує на потенційно небезпечну ситуацію, яка може призвести до отримання тілесних ушкоджень або до матеріальних збитків.



### 1.2.2 Символи в інструкції з експлуатації

У цій інструкції з експлуатації використовуються такі символи:

	Дотримуйтеся вказівок, наведених в інструкції з експлуатації
	Указівки щодо експлуатації та інша корисна інформація
	Поводження з матеріалами, придатними для вторинної переробки
	Не викидайте електроінструменти і акумуляторні батареї у баки для побутового сміття
	<b>Hilti</b> Літій-іонна акумуляторна батарея
	<b>Hilti</b> Зарядний пристрій

### 1.2.3 Символи на ілюстраціях

На ілюстраціях використовуються такі символи:

	Цифрами позначаються відповідні ілюстрації, наведені на початку цієї інструкції з експлуатації.
	Нумерація відображає послідовність робочих кроків на ілюстраціях та може відрізнитися від нумерації у тексті.
	Номера позицій, наведені <b>на оглядовій ілюстрації</b> , відповідають номерам у легенді, що представлена у розділі « <b>Огляд продукту</b> ».
	Цей символ позначає аспекти, на які слід звернути особливу увагу під час застосування інструмента.

## 1.3 Символи, що обумовлені типом інструмента

### 1.3.1 Додаткові символи

На інструменті або у цьому документі можуть бути додатково наведені такі символи:

	Кількість робочих ходів у холостому режимі
	Постійний струм
	Літій-іонна акумуляторна батарея
	Інструмент підтримує технологію NFC та є сумісним із платформами iOS та Android.
	Ніколи не використовуйте акумуляторну батарею у якості ударного інструмента.
	Не допускайте падіння акумуляторної батареї. Не використовуйте акумуляторну батарею, яка зазнала ударного навантаження або була пошкоджена іншим чином.

## 2 Безпека

### 2.1 Загальні вказівки з техніки безпеки при роботі з електроінструментами

**⚠ ПОПЕРЕДЖЕННЯ!** Уважно прочитайте усі вказівки та інструкції з техніки безпеки, ознайомтеся з малюнками та технічними даними цього електроінструмента. Щонайменше недотримання наведених нижче вказівок може призвести до ураження електричним струмом, займання та/або отримання тяжких травм.

**Збережіть всі інструкції та вказівки з техніки безпеки – вони можуть знадобитися Вам у майбутньому.**

Термін «електроінструмент», який використовується у вказівках з техніки безпеки, позначає як електроінструменти, що працюють від електричної мережі (із кабелем живлення), так і електроінструменти, що працюють від акумуляторної батареї (без кабелю живлення).





## Безпека на робочому місці

- ▶ **Дбайте про чистоту та достатнє освітлення робочого місця.** Безлад на робочому місці та недостатнє освітлення можуть стати причиною нещасних випадків.
- ▶ **Не працюйте з електроінструментом у вибухонебезпечному середовищі, що містить легкозаймисті рідини, гази або пил.** Під час роботи електроінструментів утворюються іскри, від яких можуть зайнятися легкозаймисті випари або пил.
- ▶ **Подбайте про те, щоб під час використання електроінструмента поблизу не було дітей та сторонніх осіб.** Щонайменше відволікання може призвести до втрати контролю над інструментом.

## Електрична безпека

- ▶ **Штепсельна вилка електроінструмента повинна підходити до розетки живлення. Забороняється вносити зміни до конструкції штепсельної вилки. Не дозволяється застосовувати перехідні штепсельні вилки в електроінструментах із захисним заземленням.** У разі використання оригінальних штепсельних вилок і відповідних розеток знижується ризик ураження електричним струмом.
- ▶ **Під час роботи намагайтеся не торкатися заземлених поверхонь, наприклад труб, радіаторів опалення, печей та холодильників.** Якщо Ваше тіло перебуває в контакті із системою заземлення, існує підвищений ризик ураження електричним струмом.
- ▶ **Захищайте електроінструменти від дощу та вологі.** У разі проникнення води в електроінструмент підвищується ризик ураження електричним струмом.
- ▶ **Використовуйте з'єднувальний кабель тільки за призначенням, не переносьте за нього електроінструмент, не користуйтеся ним для підвішування інструмента та не тримайтеся за нього, дістаючи штепсельну вилку з розетки.** Оберігайте з'єднувальний кабель від впливу високих температур, від дії мастил та контакту з гострими кромками або рухомими частинами інструмента. Пошкоджені або заплутані з'єднувальні кабелі підвищують ризик ураження електричним струмом.
- ▶ **Працюючи з електроінструментом під відкритим небом, використовуйте лише подовжувальний кабель, придатний для зовнішнього застосування.** Використання подовжувального кабелю, призначеного для зовнішнього застосування, зменшує ризик ураження електричним струмом.
- ▶ **Якщо неможливо уникнути експлуатації електроінструмента за умов підвищеної вологості, використовуйте автомат захисту від струму витоку.** Використання автомата захисту від струму витоку зменшує ризик ураження електричним струмом.

## Безпека персоналу

- ▶ **Будьте уважними, зосередьтеся на виконуваній операції, до роботи з електроінструментом ставтеся серйозно.** Не користуйтеся електроінструментом, якщо Ви втомлені або перебуваєте під дією наркотичних речовин, алкоголю або лікарських засобів. Під час роботи з електроінструментом не відволікайтеся ні на мить, оскільки це може призвести до отримання серйозних травм.
- ▶ **Використовуйте засоби індивідуального захисту і завжди надягайте захисні окуляри.** Використання засобів індивідуального захисту, наприклад респіратора, захисного взуття на нековзній підшві, захисного шолома або шумозахисних навушників – залежно від різновиду електроінструмента та особливостей його застосування – зменшує ризик травмування.
- ▶ **Уникайте випадкового вмикання електроінструмента.** Переконайтеся в тому, що електроінструмент вимкнений, перш ніж вставляти штепсельну вилку в розетку живлення та/або приєднувати акумулятор, піднімати електроінструмент або переносити його. Якщо під час перенесення електроінструмента тримати палець на вимикачі або приєднувати інструмент до джерела живлення увімкненим, це може призвести до нещасного випадку.
- ▶ **Перш ніж вмикати електроінструмент, від'єднайте від нього все налагоджувальне приладдя або гайкові ключі.** Приладдя або ключ, що знаходяться в обертовому вузлі інструмента, можуть стати причиною отримання травм.
- ▶ **Уникайте виконання роботи в незручній позі.** Під час виконання робіт ставайте в стійку позу і намагайтеся повсякчас утримувати рівновагу. Це дозволить Вам більш упевнено контролювати електроінструмент у разі виникнення несподіваних обставин.
- ▶ **Надягайте відповідний робочий одяг.** Не надягайте для роботи занадто просторий одяг та прикраси. Слідкуйте за тим, щоб волосся, одяг та робочі рукавиці знаходилися подалі від обертових частин інструмента. Просторий одяг, прикраси або довге волосся можуть бути захоплені рухомими частинами інструмента.
- ▶ **Якщо передбачена можливість установлення системи пиловидалення та пилозбірників, обов'язково переконайтеся в тому, що вони правильно приєднані й використовуються належним чином.** Застосування системи видалення пилу дозволяє зменшити негативний вплив пилу на персонал.



- ▶ **Не можна нехтувати правилами безпеки під час роботи з електроінструментами навіть у тому випадку, коди Ви добре знайомі з тим чи іншим електроінструментом.** Якщо користуватися інструментом необережно, лише малої частки секунди може бути достатньо для отримання тяжких травм.

#### **Використання електроінструмента та належний догляд за ним**

- ▶ **Не допускайте перенавантаження інструмента. Завжди використовуйте електроінструмент, призначений для виконання відповідної роботи.** При використанні належного електроінструмента забезпечуються більш висока якість та безпека виконання робіт у вказаному діапазоні продуктивності.
- ▶ **Не використовуйте електроінструмент із пошкодженим вимикачем.** Електроінструмент, який неможливо вмикати або вимикати, є небезпечним і підлягає ремонту.
- ▶ **Перш ніж розпочинати налаштування інструмента, виконувати заміну приладдя або робити перерву в роботі, не забудьте вийняти штепсельну вилку з розетки та/або вийняти з інструмента змінну акумуляторну батарею.** Такий запобіжний захід допоможе уникнути випадкового вмикання електроінструмента.
- ▶ **Електроінструменти, що не використовуються, зберігайте в недоступному для дітей місці. Не дозволяйте користуватися інструментом особам, які не ознайомлені з ним або не прочитали ці вказівки.** У руках недосвідчених людей електроінструменти являють собою серйозну небезпеку.
- ▶ **Електроінструменти та їх приладдя потребують дбайливого догляду. Ретельно перевіряйте, чи бездоганно працюють та чи не заклинюють рухомі частини, чи не зламалися або не зазнали інших пошкоджень деталі, від яких залежить справна робота електроінструмента. Перед початком роботи з інструментом пошкоджені деталі слід відремонтувати.** Багатьох нещасних випадків можна уникнути за умови належного технічного обслуговування електроінструментів.
- ▶ **Слідкуйте за тим, щоб ріжучі інструменти завжди залишалися чистими та належним чином заточеними.** Дбайливо доглянутий ріжучий інструмент із гострими різальними кромками не так часто заклинюється, і з ним легше працювати.
- ▶ **Під час експлуатації електроінструмента, приладдя до нього, робочих інструментів тощо дотримуйтеся наведених у цьому документі вказівок.** При цьому завжди враховуйте умови в місці виконання робіт та дії, яких вимагає поставлене завдання. Використання електроінструментів не за призначенням може призвести до виникнення небезпечних ситуацій.
- ▶ **Слідкуйте за тим, щоб поверхні рукояток були чистими та сухими, та не допускайте їхнього забруднення мастилом.** Якщо поверхні рукояток слизькі, це унеможливує впевнене контролювання електроінструмента у непередбачених ситуаціях.

#### **Використання акумуляторного інструмента та належний догляд за ним**

- ▶ **Для заряджання акумуляторних батарей застосовуйте лише зарядні пристрої, рекомендовані виробником.** Зарядний пристрій, придатний для заряджання акумуляторних батарей певного типу, може спричинити пожежу, якщо його застосовувати для заряджання акумуляторних батарей інших типів.
- ▶ **Для живлення електроінструментів застосовуйте лише спеціально призначені для цього акумуляторні батареї.** Застосування інших акумуляторних батарей може призвести до отримання травм і виникнення пожежі.
- ▶ **Акумуляторну батарею, яка не використовується, тримайте подалі від канцелярських скріпок, монет, ключів, цвяхів, гвинтів та інших дрібних металевих предметів, які могли б спричинити коротке замикання її контактів.** Коротке замикання контактів акумуляторної батареї може призвести до отримання опіків або до виникнення пожежі.
- ▶ **У разі неправильного застосування з акумуляторної батареї може пролитися рідина. Уникайте контакту з нею. У разі випадкового контакту цієї рідини зі шкірою негайно промийте уражене місце достатньою кількістю води. Якщо рідина потрапила в очі, рекомендується додатково звернутися по лікарську допомогу.** Пролита з акумуляторної батареї рідина може призвести до подразнення шкіри або отримання опіків.
- ▶ **Не використовуйте акумуляторну батарею, якщо вона пошкоджена або якщо її конструкція була змінена.** Пошкоджені або модифіковані акумуляторні батареї вкрай ненадійні та становлять небезпеку пожежі, вибуху або травмування.
- ▶ **Не піддавайте акумуляторну батарею впливу вогню або високих температур.** Вогонь або температури понад 130 °C (265 °F) можуть спричинити вибух.
- ▶ **Дотримуйтеся вказівок щодо заряджання. Ніколи не заряджайте акумуляторну батарею або акумуляторний інструмент в умовах, що виходять за межі температурного діапазону, зазначеного в інструкції з експлуатації.** Неналежне заряджання або заряджання за межами зазначеного температурного діапазону може призвести до руйнування акумуляторної батареї та підвищує ризик займання.



## Сервісне обслуговування

- ▶ **Доручайте ремонт електроінструмента лише кваліфікованому персоналу зі спеціальною підготовкою за умови використання тільки оригінальних запасних частин.** Це забезпечить функціональність інструмента.
- ▶ **Забороняється здійснювати технічне обслуговування пошкоджених акумуляторних батарей.** У будь-яких випадках технічне обслуговування акумуляторних батарей повинен здійснювати виробник або уповноважена служба технічного обслуговування.

### 2.2 Указівки з техніки безпеки під час використання пилок із маятниковим ходом пиляльно-го полотна

- ▶ **Якщо під час виконання робіт існує ймовірність того, що змінний робочий інструмент може натрапити на приховану електропроводку, утримуйте електроінструмент за ізольовані поверхні рукояток.** У разі контакту з електричним дротом, який знаходиться під напругою, металеві деталі інструмента також потраплять під напругу, а це може призвести до ураження електричним струмом.
- ▶ **Закрипіть оброблюваний об'єкт на стійкій поверхні за допомогою лещат або іншим надійним способом.** Якщо утримувати оброблюваний об'єкт рукою або притискати його до тіла, це не гарантує надійного закріплення та може призвести до втрати контролю.

### 2.3 Додаткові вказівки з техніки безпеки

- ▶ Користуйтеся лише повністю справним інструментом та приладдям.
- ▶ Вносити будь-які зміни до конструкції інструмента або приладдя заборонено.
- ▶ Перед початком роботи перевіряйте робоче місце на наявність прихованих електричних кабелів, газових та водопровідних труб. Якщо під час роботи будуть випадково пошкоджені електричні кабелі, газові або водопровідні труби, то їхній контакт із відкритими металевими деталями інструмента може спричинити ураження електричним струмом або вибух.
- ▶ Не допускайте засмічення вентиляційних прорізів. Перекривання вентиляційних прорізів створює небезпеку отримання опіків!
- ▶ Під час роботи з інструментом використовуйте захисні окуляри, захисні навушники та захисні рукавиці.
- ▶ Використовуйте захисні окуляри. Уламки матеріалу можуть завдати поранень або пошкодити очі.
- ▶ Пил, який утворюється під час шліфування, обробки наждачним папером, різання та свердління певних матеріалів, може містити небезпечні хімічні речовини. Деякі приклади таких матеріалів: свинець або фарби на основі свинцю; цегла, бетон та інші матеріали, що використовуються для споруджування стін, зокрема природний камінь та інші речовини, які містять силікати; певні види деревини, зокрема дуб або бук, а також деревина, яка пройшла хімічну обробку; азбест або матеріали, що містять азбест. Визначайте рівень впливу пилу на оператора та осіб, які знаходяться поблизу, приймаючи до уваги клас безпеки оброблюваних матеріалів. Вживайте потрібних заходів, щоб утримувати вплив пилу на мінімально можливому рівні, зокрема використовуйте систему видалення пилу або відповідний респіратор. До загальних заходів, спрямованих на зменшення впливу пилу, належать такі:
  - ▶ виконання робіт на добре провітрюваній ділянці;
  - ▶ уникнення тривалого контакту з пилом;
  - ▶ недопущення контакту пилу з обличчям та тілом;
  - ▶ використання захисного одягу, а також миття засмічених ділянок водою з милом.
- ▶ **Небезпека травмування в результаті падіння інструментів та/або приладдя.** Перш ніж розпочинати роботу, перевірте, чи надійно закріплене приладдя й акумуляторна батарея.
- ▶ **Вмикайте інструмент лише після того, як Ви встановили його у робоче положення.**
- ▶ **Завжди тримайте інструмент за спеціально передбачені для цього рукоятки.** Слідкуйте за тим, щоб рукоятки були сухими та чистими.
- ▶ Часто робіть перерви у роботі та виконуйте вправи на розминання пальців, щоб покращити кровообіг у них. Під час довготривалих робіт високочастотна вібрація може пошкодити судини або нерви у пальцях, руках або зап'ясткових суглобах.
- ▶ Не дивіться безпосередньо на світлодіодне підсвічування та не направляйте його в обличчя іншим особам. Існує небезпека засліплення!
- ▶ **Зачекайте, доки змінний робочий інструмент повністю зупиниться, перш ніж знімати його з оброблюваного об'єкта.**
- ▶ Під час заміни робочого інструмента використовуйте захисні рукавиці. Контакт зі змінним робочим інструментом може призвести до отримання порізів або опіків!



**Спеціальні вказівки з техніки безпеки щодо використання лобзика**

- ▶ Під час пиляння завжди спрямовуйте інструмент від себе.
- ▶ Ніколи не тримайте руки перед пиляльним полотном та не торкайтеся його.
- ▶ Ніколи не здійснюйте пиляння незнайомих матеріалів; крім того, на траєкторії пиляння під інструментом та над ним не повинно бути жодних перешкод.
- ▶ Під час пиляння не торкайтеся нижньої поверхні оброблюваного об'єкта.

**2.4 Застосування акумуляторних батарей та дбайливий догляд за ними**

- ▶ **Дотримуйтеся наведених нижче вказівок з техніки безпеки, щоб гарантувати безпечне транспортування та використання літій-іонних акумуляторних батарей.** Невиконання цих вказівок може призвести до подразнення шкіри, серйозних травм внаслідок контакту з корозійними речовинами, а також до хімічних опіків, пожежі та/або вибуху.
- ▶ Користуйтеся лише повністю справними акумуляторними батареями.
- ▶ Обережно поводьтеся з акумуляторними батареями, щоб уникнути їхнього пошкодження або витоків рідин, які є дуже небезпечними для здоров'я!
- ▶ Забороняється вносити зміни до конструкції акумуляторних батарей або модифікувати їх!
- ▶ Акумуляторні батареї забороняється розбирати, роздавлювати, нагрівати до температури понад 80 °C (176 °F) або спалювати.
- ▶ Не використовуйте та не заряджайте акумуляторні батареї, які зазнали впливу ударного навантаження або були пошкоджені іншим чином. Регулярно перевіряйте акумуляторні батареї на наявність пошкоджень.
- ▶ Ніколи не використовуйте акумуляторні батареї із вторинних матеріалів або відремонтовані акумуляторні батареї.
- ▶ Не застосовуйте акумуляторну батарею або акумуляторний електроінструмент у якості ударного інструмента.
- ▶ Ніколи не піддавайте акумуляторні батареї впливу прямих сонячних променів, високих температур, іскор або відкритого вогню. Невиконання цієї вимоги може призвести до вибуху.
- ▶ Не торкайтеся полюсів елементів живлення пальцями, робочими інструментами, прикрасами, а також іншими предметами зі струмопровідних матеріалів. Невиконання цієї вимоги може привести до пошкодження акумуляторної батареї, матеріальних збитків і травм.
- ▶ Захищайте акумуляторні батареї від впливу дощу, вологи та рідин. Якщо всередину акумуляторної батареї потрапить волога, це може спричинити коротке замикання, ураження електричним струмом, опіки, пожежу або вибух.
- ▶ Використовуйте акумуляторну батарею тільки з тими електроінструментами та зарядними пристроями, для яких вона призначена. При цьому також дотримуйтеся вказівок, наведених в інструкціях до експлуатації відповідних виробів.
- ▶ Не використовуйте та не зберігайте акумуляторні батареї у вибухонебезпечному середовищі.
- ▶ Якщо акумуляторна батарея гаряча на дотик, вона може бути пошкоджена. Залиште акумуляторну батарею у захищеному від вогню місці на достатній відстані від горючих матеріалів, де за нею можна спостерігати. Зачекайте, доки акумуляторна батарея не охолоне. Якщо через годину акумуляторна батарея все ще залишається гарячою на дотик, це свідчить про її несправність. Зверніться до сервісної служби компанії **Hilti** або ознайомтеся з указівками щодо техніки безпеки та належної експлуатації літій-іонних акумуляторних батарей **Hilti**.



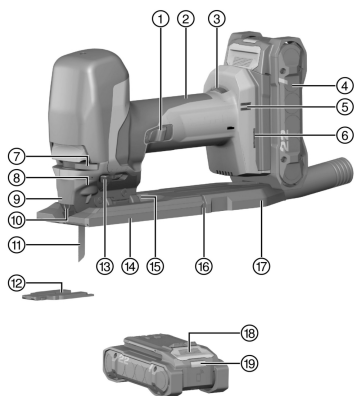
Дотримуйтеся спеціальних указівок щодо транспортування, зберігання та використання літій-іонних акумуляторних батарей. 111

Ознайомтеся з указівками щодо техніки безпеки та належної експлуатації літій-іонних акумуляторних батарей **Hilti**: для цього відскануйте QR-код, наведений наприкінці цієї інструкції з експлуатації.



### 3 Опис

#### 3.1 Огляд продукту



- ① Вимикач
- ② Рукоятка
- ③ Регульовальне колесо для встановлення кількості робочих ходів
- ④ Акумуляторна батарея
- ⑤ Вентиляційні прорізи
- ⑥ Отвір для встановлення приладдя
- ⑦ Важіль для деблокування пиляльного полотна
- ⑧ Затискний патрон
- ⑨ Захисна кришка
- ⑩ Захист від випадкового контакту з робочим інструментом
- ⑪ Пиляльне полотно
- ⑫ Противідкольна накладка
- ⑬ Важіль для регулювання маятникового ходу
- ⑭ Опорна плита
- ⑮ Шкала для встановлення кута різання
- ⑯ Стопорний гачок
- ⑰ Усмоктувальний адаптер
- ⑱ Деблокувальна кнопка акумуляторної батареї
- ⑲ Індикатор статусу акумуляторної батареї

#### 3.2 Використання за призначенням

Описаний у цьому документі інструмент являє собою ручний акумуляторний лобзик із маятниковим ходом. Він призначений для пиляння матеріалів на основі пластмаси, деревини та металу, а також для пиляння гіпсових та волокнистих плит.

Інструмент оснащений знімним з'єднувальним штуцером для підключення пилососа, з яким використовуються стандартні усмоктувальні шланги. Для приєднання усмоктувального шланга до інструмента Вам може знадобитися відповідний адаптер.

- Використовуйте із цим інструментом лише літій-іонні акумуляторні батареї **Hilti Nuron** типу В 22. Щоб забезпечити оптимальну потужність інструмента, компанія **Hilti** рекомендує використовувати з ним акумуляторні батареї, зазначені у таблиці наприкінці цієї інструкції з експлуатації.
- Для заряджання цих акумуляторних батарей використовуйте зарядні пристрої **Hilti** лише тих типів, які зазначені у таблиці наприкінці цієї інструкції з експлуатації.
- Використовуйте із цим інструментом тільки пиляльні полотна з Т-подібним хвостовиком (конструкція якого передбачає один упор).

#### 3.3 Можливі варіанти неналежного використання

- Забороняється застосовувати інструмент для спилювання гілок та стовбурів дерев.
- Забороняється застосовувати інструмент для обробки матеріалів, що становлять небезпеку для здоров'я людини.
- Забороняється застосовувати інструмент у вологому середовищі.

#### 3.4 Варіанти індикації літій-іонної акумуляторної батареї

Літій-іонні акумуляторні батареї **Hilti Nuron** оснащені індикаторами, які можуть відображати стан заряду, повідомлення про несправності, а також позначати стан акумуляторної батареї.



### 3.4.1 Індикація стану заряду та повідомлень про несправність



#### ПОПЕРЕДЖЕННЯ

#### Ризик отримання травм через падіння акумуляторної батареї!

- Якщо Ви натиснули на деблокувальну кнопку, коли акумуляторна батарея встановлена в інструмент, будь ласка, переконайтеся, що вона належним чином зафіксована.

Щоб відобразити одну з наведених нижче індикацій, короткочасно натисніть деблокувальну кнопку акумуляторної батареї.

Після приєднання інструмента індикатор постійно показуватиме стан заряду акумуляторної батареї, а також можливі несправності.

Стан	Значення
Чотири (4) світлодіоди постійно горять зеленим кольором	Стан заряду: від 100 % до 71 %
Три (3) світлодіоди постійно горять зеленим кольором	Стан заряду: від 70 % до 51 %
Два (2) світлодіоди постійно горять зеленим кольором	Стан заряду: від 50 % до 26 %
Один (1) світлодіод постійно горить зеленим кольором	Стан заряду: від 25 % до 10 %
Один (1) світлодіод повільно мигає зеленим кольором	Стан заряду: < 10 %
Один (1) світлодіод швидко мигає зеленим кольором	Літій-іонна акумуляторна батарея повністю розряджена. Зарядіть акумуляторну батарею. Якщо після заряджання акумуляторної батареї світлодіод продовжує швидко мигати, будь ласка, зверніться до сервісної служби компанії <b>Hilti</b> .
Один (1) світлодіод швидко мигає жовтим кольором	Літій-іонна акумуляторна батарея або приєднаний до неї інструмент перенавантажені, занадто гарячі або занадто холодні або виникла інша помилка. Зачекайте, доки інструмент і акумуляторна батарея не нагріються або не охолонуть до належної робочої температури, та надалі уникайте перенавантаження інструмента під час використання. Якщо індикація не зникає, будь ласка, зверніться до сервісної служби компанії <b>Hilti</b> .
Один (1) світлодіод горить жовтим кольором	Літій-іонна акумуляторна батарея та відповідний інструмент несумісні. Будь ласка, зверніться до сервісної служби компанії <b>Hilti</b> .
Один (1) світлодіод швидко мигає червоним кольором	Літій-іонна акумуляторна батарея заблокована та більше не може використовуватися. Будь ласка, зверніться до сервісної служби компанії <b>Hilti</b> .

### 3.4.2 Індикація стану акумуляторної батареї

Щоб відобразити індикацію стану акумуляторної батареї, натисніть і утримуйте деблокувальну кнопку протягом більше трьох секунд. Система не встановила жодних потенційних несправностей елемента живлення, обумовлених його неналежним використанням, наприклад падінням, проколюванням, пошкодженням внаслідок впливу високих температур тощо.

Стан	Значення
Усі світлодіоди послідовно загоряються, після чого один (1) світлодіод починає постійно горіти зеленим кольором.	Експлуатацію акумуляторної батареї можна продовжувати.
Усі світлодіоди послідовно загоряються, після чого один (1) світлодіод починає швидко мигати жовтим кольором.	Не вдалося завершити перевірку стану акумуляторної батареї. Повторіть операцію або зверніться до сервісної служби компанії <b>Hilti</b> .



Стан	Значення
Усі світлодіоди послідовно загоряються, після чого один (1) світлодіод починає постійно горіти червоним кольором.	Якщо використання приєднаного інструмента можна продовжувати, це означає, що залишкова ємність акумуляторної батареї становить менше 50 %. Якщо використання приєднаного інструмента вже не можна продовжувати, це означає, що строк служби акумуляторної батареї закінчився та її потрібно замінити. Будь ласка, зверніться до сервісної служби компанії <b>Hilti</b> .

### 3.5 Пристрій для здування стружки

Пристрій для здування стружки направляє на пиляльне полотно потік повітря, щоб стружка не закривала від оператора лінію розрізу.

### 3.6 Кількість робочих ходів

Кількість робочих ходів встановлюється за допомогою регульовального колеса. Коли колесо встановлене у положення 1, інструмент виконує 800 робочих ходів на хвилину; коли колесо встановлене у положення 6, інструмент виконує 3000 робочих ходів на хвилину.

### 3.7 4-ступеневе регулювання маятникового ходу

Завдяки 4-ступеневому регулюванню маятникового ходу можна встановити потужність та якість пиляння відповідно до оброблюваного матеріалу. Перемикання між 4 ступенями маятникового ходу здійснюється за допомогою важеля.

Чим чистішою та гладкішою повинна бути кромка зрізу, тим менший ступінь маятникового ходу слід обирати. Оптиміальне налаштування можна визначити на практиці.

Стан	Значення
Ступінь 0	Без маятникового ходу
Ступінь 1	Малий маятниковий хід
Ступінь 2	Середній маятниковий хід
Ступінь 3	Великий маятниковий хід

### 3.8 Протівідкольна накладка

Інструмент може бути оснащений протівідкольною накладкою.

Під час пиляння деревини протівідкольна накладка допомагає попередити відколювання часток із верхнього шару оброблюваного об'єкта.

### 3.9 Автоматичне вимкнення інструмента

Якщо вимикач безперервно залишається натиснутим протягом більше 15 хвилин (наприклад, під час транспортування або зберігання), інструмент автоматично вимикається. Це дозволяє уникнути глибокого розрядження акумуляторної батареї.

### 3.10 Комплект постачання

Лобзик із маятниковим ходом, пиляльне полотно, захисна кришка, усмоктувальний адаптер, протівідкольна накладка, інструкція з експлуатації, торцевий шестигранний ключ.

Інше приладдя, допущене до експлуатації з Вашим інструментом, Ви можете придбати у найближчому магазині **Hilti Store** або на веб-сайті [www.hilti.group](http://www.hilti.group)



## 4 Технічні дані

### 4.1 Лобзик із маятниковим ходом

	SJT 6-22
Покоління виробу	02
Номінальна напруга	21,6 В
Маса відповідно до ЕРТА Procedure 01 без акумуляторної батареї	2,1 кг
Висота робочого ходу	28 мм
Кількість робочих ходів у холостому режимі ( $n_0$ )	800 об/хв ... 3 000 об/хв
Максимальна потужність пиляння деревини	150 мм
Максимальна потужність пиляння алюмінію	25 мм
Максимальна потужність пиляння нелегованої сталі	10 мм
Кут різання (ліворуч/праворуч)	0° ... 45°
Зовнішній діаметр усмоктувального адаптера	27,5 мм
Температура зберігання	-20 °C ... 70 °C
Температура навколишнього середовища під час роботи	-17 °C ... 60 °C

### 4.2 Дані про шум та значення вібрації

Наведені у цих рекомендаціях значення звукового тиску та вібрації були виміряні згідно з установленою процедурою вимірювання та можуть використовуватися для порівняння електроінструментів. Вони також придатні для попереднього оцінювання шумового та вібраційного навантаження.

Наведені дані обумовлюють переважні сфери застосування електроінструмента. Однак якщо Ви використовуєте його не за призначенням, застосуєте нестандартне приладдя або неналежним чином здійснюєте догляд за інструментом, ці дані можуть відрізнитися від вказаних значень. Це може призвести до помітного збільшення шумового та вібраційного навантаження протягом усього робочого часу.

Для більш точної оцінки шумового та вібраційного навантаження необхідно враховувати також проміжки часу, протягом яких виріб залишається вимкненим або працює на холостому ходу. Це може значно зменшити вібраційне та шумове навантаження протягом усього робочого часу.

Необхідно також вживати додаткових заходів безпеки з метою захисту працівників від дії шуму та/або вібрації, зокрема: проводити своєчасне технічне обслуговування електроінструмента та змінних робочих інструментів до нього, утримувати руки у теплі, належним чином організувати робочий процес.



Більш детальна інформація щодо версій стандарту **EN 62841**, які використовуються тут, наведена в копії сертифіката відповідності 251.

### Рівень шуму

	SJT 6-22
Рівень шумової потужності ( $L_{WA}$ )	99 дБ(A)
Похибка для рівня шумової потужності ( $K_{WA}$ )	5 дБ(A)
Рівень звукового тиску ( $L_{pA}$ )	91 дБ(A)
Похибка для рівня звукового тиску ( $K_{pA}$ )	5 дБ(A)

### Сумарне значення вібрації

		SJT 6-22
Рівень вібрації, що створюється під час пиляння ДСП ( $a_{h,v}$ )	B 22-55	5,2 м/с <sup>2</sup>
	B 22-255	5,3 м/с <sup>2</sup>
Рівень вібрації, що створюється під час пиляння листового металу ( $a_{h,m}$ )	B 22-55	8,5 м/с <sup>2</sup>
	B 22-255	7,2 м/с <sup>2</sup>
Похибка (K)		1,5 м/с <sup>2</sup>





### 4.3 Акумуляторна батарея

Робоча напруга акумуляторної батареї	21,6 В
Маса акумуляторної батареї	Інформація наведена наприкінці цієї інструкції з експлуатації
Температура навколишнього середовища під час роботи	-17 °C ... 60 °C
Температура зберігання	-20 °C ... 40 °C
Температура акумуляторної батареї на початку процесу заряджання	-10 °C ... 45 °C

## 5 Підготовка до роботи

### ПОПЕРЕДЖЕННЯ

**Ризик отримання травм внаслідок непередбаченого увімкнення інструмента!**

- ▶ Перш ніж установлювати акумуляторну батарею, переконайтеся, що відповідний інструмент вимкнений.
- ▶ Від'єднайте акумуляторну батарею, перш ніж задавати налаштування інструмента або замінити приладдя.

Дотримуйтеся попереджувальних вказівок та вказівок з техніки безпеки, наведених у цьому документі та на корпусі інструмента.

### 5.1 Заряджання акумуляторної батареї

1. Перед заряджанням акумуляторної батареї прочитайте інструкцію з експлуатації зарядного пристрою.
2. Контакти акумуляторної батареї та зарядного пристрою повинні бути чистими та сухими.
3. Заряджайте акумуляторну батарею тільки за допомогою тих зарядних пристроїв, які допущені до застосування з нею. 103

### 5.2 Установлення акумуляторної батареї

#### ПОПЕРЕДЖЕННЯ

**Ризик отримання травм внаслідок короткого замикання або падіння акумуляторної батареї!**

- ▶ Перш ніж установлювати акумуляторну батарею, переконайтеся, що на контактах батареї та інструмента немає сторонніх предметів.
- ▶ Завжди перевіряйте, щоб акумуляторна батарея була правильно зафіксована.

1. Перед першим використанням акумуляторну батарею слід повністю зарядити.
2. Уставте акумуляторну батарею в інструмент, щоб вона зафіксувалася із чітким характерним звуком.
3. Переконайтеся, що акумуляторна батарея надійно зафіксована в інструменті.

### 5.3 Виймання акумуляторної батареї

1. Натисніть на деблокувальну кнопку акумуляторної батареї.
2. Дістаньте акумуляторну батарею з інструмента.

### 5.4 Установлення пиляльного полотна

1. Уставте пиляльне полотно у затисний патрон (зубцями у напрямку зрізу) та натисніть на нього, поки воно не зафіксується.
2. Потягніть за пиляльне полотно, щоб переконатися у його надійній фіксації.

### 5.5 Установлення захисної кришки

- ▶ Уставте захисну кришку спереду в інструмент до упору.



Захисну кришку можна встановити лише в тому випадку, якщо опорна плита знаходиться у нормальному положенні (кут різання становить 0°). 108



## 5.6 Установлення усмоктувального адаптера 4

1. Утримуючи усмоктувальний адаптер горизонтально, установіть його ззаду на опорну плиту таким чином, щоб два стопорних гачка увійшли у зачеплення з обох боків.
2. Приєднайте шланг пирососа до усмоктувального адаптера.

## 5.7 Установлення протівідкольної накладки 5

- ▶ Уставте протівідкольну накладку знизу в опорну плиту.



Протівідкольна накладка може застосовуватися лише з тими пиляльними полотнами, конструкція яких передбачає її використання.

Протівідкольну накладку можна використовувати лише у тому разі, якщо опорна плита знаходиться у нормальному положенні (кут різання становить 0°). 108

## 5.8 Захист від падіння з висоти



### ПОПЕРЕДЖЕННЯ

**Небезпека отримання травм** внаслідок падіння робочого інструмента та/або приладдя!

- ▶ Використовуйте тільки той страхувальний строп для інструментів **Hilti**, який рекомендований для Вашого інструмента.
- ▶ Перед кожним використанням перевіряйте точку кріплення страхувального стропа для інструментів на наявність можливих пошкоджень.
- ▶ Не закріплюйте страхувальний строп для інструментів на поясному гачку. Не використовуйте поясний гачок для піднімання інструмента.



Дотримуйтеся місцевих указівок щодо виконання робіт на висоті.

У якості пристрою для попередження падіння цього інструмента використовуйте тільки комбінацію захисту від падіння **Hilti** та страхувального стропа для інструментів **Hilti** номер #2261970.

- ▶ Закріпіть захист від падіння в отворах для встановлення приладдя. Перевірте надійність кріплення.
- ▶ Закріпіть один гачок карабіна страхувального стропа для інструментів на захисті від падіння, а інший гачок карабіна – на несучій конструкції. Перевірте надійність кріплення обох гачків карабіна.



Дотримуйтеся вказівок, наведених в інструкції з експлуатації захисту від падіння **Hilti** та страхувального стропа для інструментів **Hilti**.

## 6 Експлуатація

Дотримуйтеся попереджувальних вказівок та вказівок з техніки безпеки, наведених у цьому документі та на корпусі інструмента.

### 6.1 Використання системи видалення пилу



Система видалення пилу дозволяє зменшити пилове навантаження та підвищити експлуатаційну безпеку інструмента, оскільки завдяки її використанню стружка та пил не закривають від оператора лінію розрізу та менше забруднюють робоче місце.

1. Установіть захисну кришку. 107
2. Завжди використовуйте систему видалення пилу, якщо Ви довго працюєте з деревом або матеріалами, які можуть спричинити появу пилу високої концентрації.

### 6.2 Установлення кута різання 6

1. Зніміть усмоктувальний адаптер. 109
2. Послабте гвинт, розташований на опорній плиті.



3. Установіть потрібний кут різання (від 0° до 45° в обох напрямках).
  - ▶ Якщо кут різання становить 0°, опорна плита знаходиться у положенні, яке унеможливає її перекручування. Щоб установити кут різання, опорну плиту слід спочатку відвести назад.
  - ▶ Якщо після цього потрібно встановити опорну плиту на кут різання 0°, пересуньте її уперед, щоб закріпити її у положенні, яке унеможливає перекручування.
4. Знову затягніть гвинт.
  - ▶ Опорна плита зафіксована.

### 6.3 Увімкнення



Якщо акумуляторну батарею вставити в уже увімкнений інструмент, то функція безпеки заблокує його запуск.

Відведіть вимикач назад, після чого знову пересуньте його вперед.

- ▶ Пересуньте вимикач уперед.

### 6.4 Пряме врізання в матеріал

1. Установіть важіль для регулювання маятникового ходу в положення 0.
2. Установіть інструмент на оброблюваний об'єкт переднім краєм опорної плити.
3. Надійно утримуючи інструмент, натисніть на вимикач.
4. Міцно притисніть інструмент до оброблюваного об'єкта та, зменшуючи кут нахилу, починайте заглиблення у матеріал.
5. Коли Ви пропиляли оброблюваний об'єкт наскрізь, установіть інструмент у нормальне робоче положення.
  - ▶ Опорна плита повинна рівномірно прилягати до поверхні оброблюваного об'єкта.
6. Продовжуйте пиляння вздовж лінії розмітки.

### 6.5 Вимкнення

- ▶ Пересуньте вимикач назад.

## 7 Демонтаж

### 7.1 Зняття усмоктувального адаптера 7

1. Натисніть на обидва стопорних гачка.
2. Потягніть усмоктувальний адаптер назад та від'єднайте його від опорної плити.
3. Потягніть за шланг пилососа та від'єднайте його від усмоктувального адаптера.

### 7.2 Зняття захисної кришки 9

- ▶ Злегка нахиліть захисну кришку та зніміть її, потягнувши вперед.

### 7.3 Виштовхування пиляльного полотна 9



#### ПОПЕРЕДЖЕННЯ

**Ризик отримання травм.** Неконтрольоване виштовхування пиляльного полотна з інструмента може призвести до травмування.

- ▶ Коли Ви плануєте дістати пиляльне полотно, утримуйте інструмент таким чином, щоб під час виштовхування воно не травмувало людей або тварин.
- ▶ Відведіть важіль для деблокування пиляльного полотна вбік до упору.
  - ▶ Пиляльне полотно буде деблоковано та виштовхнуто з інструмента.



**ПОПЕРЕДЖЕННЯ**

**Небезпека травмування під час виконання робіт на інструменті з установленою акумуляторною батареєю!**

- ▶ Завжди діставайте з інструмента акумуляторну батарею, перш ніж розпочинати будь-які роботи з догляду та технічного обслуговування!

**Догляд за інструментом**

- Видаляйте накопичення бруду обережно.
- Якщо конструкцією інструмента передбачені вентиляційні прорізи, обережно прочищайте їх м'якою сухою щіткою.
- Чистьте корпус інструмента тільки вологою тканиною. Не використовуйте миючі засоби, що містять силікон, оскільки вони можуть пошкодити пластмасові деталі.
- Для чищення контактів інструмента використовуйте чисту суху тканину.

**Догляд за літій-іонними акумуляторними батареями**

- Ніколи не використовуйте акумуляторну батарею із заблокованими вентиляційними прорізами. Обережно прочищайте вентиляційні прорізи м'якою сухою щіткою.
- Уникайте зайвого контакту акумуляторної батареї з пилом або брудом. Ніколи не піддавайте акумуляторну батарею впливу високої вологості (зокрема, не занурюйте її у воду та не залишайте під дощем).

Якщо рідина потрапила всередину акумуляторної батареї, з нею слід поводитися як із пошкодженою акумуляторною батареєю. Ізолюйте акумуляторну батарею у контейнері з незаймистого матеріалу та зверніться до сервісної служби компанії **Hilti**.

- Не допускайте забруднення акумуляторної батареї сторонніми мастильними матеріалами. Слідкуйте за тим, щоб на акумуляторній батареї не накопичувалась занадто велика кількість пилу або бруду. Видаляйте забруднення з акумуляторної батареї м'якою сухою щіткою або чистою сухою тканиною. Не використовуйте миючі засоби, що містять силікон, оскільки вони можуть пошкодити пластмасові деталі.

Не торкайтеся контактів акумуляторної батареї та не видаляйте з них мастильні матеріали, нанесені на заводі виробника.

- Чистьте корпус інструмента тільки вологою тканиною. Не використовуйте миючі засоби, що містять силікон, оскільки вони можуть пошкодити пластмасові деталі.



**Технічне обслуговування**

- Регулярно перевіряйте усі зовнішні частини інструмента на наявність пошкоджень, а органи керування – на предмет справної роботи.
- Не використовуйте інструмент у разі виявлення пошкоджень та/або порушень функціональності. негайно передайте інструмент до сервісної служби компанії **Hilti** для здійснення ремонту.
- Після завершення робіт з догляду і технічного обслуговування встановіть усі захисні пристрої та перевірте їхню роботу.



Щоб гарантувати належну роботу інструмента, використовуйте тільки оригінальні запасні частини та видаткові матеріали. Рекомендовані компанією **Hilti** запасні частини, видаткові матеріали та приладдя для інструмента Ви можете придбати у найближчому магазині **Hilti Store** або на веб-сайті [www.hilti.group](http://www.hilti.group)

**8.1 Чищення усмоктувального адаптера**

1. Зніміть усмоктувальний адаптер.  109
2. Прочистьте усмоктувальний адаптер.
3. Переконайтеся, що стопорні гачки не пошкоджені.
4. Установіть усмоктувальний адаптер.  108

**8.2 Чищення пиляльних полотен**

1. Слід регулярно видаляти з пиляльних полотен залишки смоли.
2. Покладіть пиляльні полотна на 24 години у бензин або у засіб для видалення смоли (продається окремо).



## 9 Транспортування та зберігання акумуляторних інструментів та акумуляторних батарей

### Транспортування

#### ОБЕРЕЖНО

#### Непередбачене увімкнення інструмента під час транспортування !

- ▶ На час транспортування завжди діставайте з інструмента акумуляторну батарею!
- ▶ Діставайте акумуляторну(-і) батарею(-ї).
- ▶ Ніколи не перевозьте акумуляторні батареї у незапакованому вигляді. Під час перевезення акумуляторні батареї повинні бути захищені від сильних поштовхів та вібрацій, а також ізовані від будь-яких струмопровідних матеріалів та від інших акумуляторних батарей. Це дозволить уникнути короткого замикання, яке може статися через контакт полюсів різних акумуляторних батарей. **Дотримуйтеся місцевих правил, які регламентують порядок перевезення акумуляторних батарей.**
- ▶ Забороняється пересилати акумуляторні батареї поштою. Для пересилання непошкоджених акумуляторних батарей зверніться до кур'єрської служби.
- ▶ Перед кожним використанням, а також перед тривалим транспортуванням і після його завершення перевіряйте інструмент та акумуляторні батареї на наявність пошкоджень.

### Зберігання

#### ПОПЕРЕДЖЕННЯ

#### Непередбачене пошкодження інструмента через несправність акумуляторної батареї або через виток електроліту з акумуляторної батареї !

- ▶ На час зберігання завжди діставайте з інструмента акумуляторну батарею!
- ▶ Зберігайте інструмент та акумуляторні батареї у сухому прохолодному місці. Дотримуйтеся діапазону температур, зазначеного у технічних даних інструмента.
- ▶ Не зберігайте акумуляторні батареї на зарядному пристрої. Після закінчення процесу заряджання завжди від'єднайте акумуляторну батарею від зарядного пристрою.
- ▶ Не зберігайте акумуляторні батареї на сонці, біля джерел тепла або на підвіконні.
- ▶ Зберігайте інструмент та акумуляторні батареї у сухому місці, недоступному для дітей та сторонніх осіб.
- ▶ Перед кожним використанням, а також перед тривалим зберіганням і після його завершення перевіряйте інструмент та акумуляторні батареї на наявність пошкоджень.

## 10 Допомога у разі виникнення несправностей

У разі виникнення будь-яких несправностей звертайте увагу на індикатор стану заряду та несправності акумуляторної батареї. Додаткова інформація наведена у розділі «Варіанти індикації літій-іонної акумуляторної батареї».

У разі виникнення несправностей, які не зазначені у цій таблиці або які Ви не можете полагодити самостійно, зверніться до сервісної служби компанії **Hilti**.

Несправність	Можлива причина	Рішення
Пиляльне полотно випадає з інструмента.	Пиляльне полотно закріплене неналежним чином.	<ul style="list-style-type: none"> <li>▶ Повторіть операцію його закріплення.</li> <li>▶ Переконайтеся, що затискний патрон повністю відкритий; крім того, пиляльне полотно повинне вставлятися з відчутним опором.</li> </ul>
	Система затискних пристроїв засмічена.	<ul style="list-style-type: none"> <li>▶ Прочистьте затискний патрон.</li> </ul>
Пиляльне полотно не вдається вставити в інструмент.	Система затискних пристроїв засмічена.	<ul style="list-style-type: none"> <li>▶ Прочистьте затискний патрон.</li> </ul>
Не вдається відрегулювати маятниковий хід.	Паз важеля для регулювання маятникового ходу засмічений.	<ul style="list-style-type: none"> <li>▶ Прочистьте паз важеля для регулювання маятникового ходу.</li> </ul>



Несправність	Можлива причина	Рішення
Маятниковий хід не функціонує.	Механізм маятникового ходу засмічений.	► Перевірте, чи накопився бруд в області маяткової вилки та за необхідності видаліть його.
	Важіль для регулювання маятникового ходу встановлений у положення 0.	► Установіть його у потрібне положення.
Акумуляторна батарея розряджається швидше, ніж звичайно.	Занадто низька температура навколишнього середовища.	► Зачекайте, доки акумуляторна батарея повільно нагріється до кімнатної температури.
Акумуляторна батарея не зафіксується з чітко відчутним клацанням.	Фіксатор акумуляторної батареї засмічений.	► Прочистьте зачіпку фіксатора та вставте акумуляторну батарею знову.
Інструмент або його акумуляторна батарея сильно перегріваються.	Електрична несправність	► негайно вимкніть інструмент, дістаньте акумуляторну батарею, поспостерігайте за нею, дайте їй охолонути, після чого зверніться до сервісної служби компанії <b>Hilti</b> .
Індикація світлодіодів акумуляторної батареї відсутня	Акумуляторна батарея несправна	► Зверніться до сервісної служби компанії <b>Hilti</b> .

## 11 Утилізація



### ПОПЕРЕДЖЕННЯ

**Ризик отримання травм внаслідок неналежної утилізації!** Небезпека для здоров'я внаслідок контакту з газами або рідинами, що виходять з акумуляторної батареї.

- Пошкоджені акумуляторні батареї забороняється пересилати поштою або кур'єрською службою!
- Закрийте контакти акумуляторних батарей електронепровідним матеріалом, щоб запобігти короткому замиканню.
- Утилізуйте акумуляторні батареї таким чином, щоб вони не потрапили до рук дітей.
- Щоб утилізувати акумуляторну батарею, передайте її до найближчого магазину **Hilti Store** або зверніться до представника відповідної компанії з утилізації відходів.

Більшість матеріалів, з яких виготовлено інструменти компанії **Hilti**, придатні для вторинної переробки. Передумовою для їхньої вторинної переробки є належне сортування відходів за типом матеріалу. У багатьох країнах світу компанія **Hilti** приймає старі інструменти для їхньої утилізації. Щоб отримати додаткову інформацію, звертайтеся до сервісної служби компанії **Hilti** або до свого торгового консультанта.



- Не викидайте електроінструменти, електронні пристрої та акумуляторні батареї у баки для побутового сміття!

## 12 Гарантійні зобов'язання виробника

- 3 питань гарантії, будь ласка, звертайтеся до найближчого партнера компанії **Hilti**.



### 13 Додаткова інформація

Щоб ознайомитися із додатковою інформацією про застосування й технічне обслуговування інструмента, його вплив на навколишнє середовище, а також про його утилізацію, будь ласка, скористайтеся цим посиланням: [qr.hilti.com/manual/?id=2264217&id=2264218](http://qr.hilti.com/manual/?id=2264217&id=2264218)

Це посилання також наведене наприкінці документа у вигляді QR-коду.



## Түпнұсқа пайдалану бойынша нұсқаулық

### 1 Пайдалану бойынша нұсқаулық туралы мәліметтер

#### 1.1 Осы пайдалану бойынша нұсқаулық туралы



#### Импорттаушы және өндірушінің өкілетті ұйымы

- (RU) Ресей Федерациясы  
"Хилти Дистрибьюшн ЛТД" АҚ, 141402, Мәскеу облысы, Химки қ., Ленинградская к-сі, 25-бет, 15.26-құрылымы
- (BY) Беларусь Республикасы  
"Хилти БиУай" ЖШС, 222750, Минск облысы, Дзержин ауданы, Р-1, 18 км, 2 (Слободка ауылының жанында), 1-34 құрылымы
- (KZ) Қазақстан Республикасы  
"Хилти Қазақстан" ЖШС, 050057, Алматы қ., Бостандық ауданы, Тимирязев к-сі, 42/15 үй, литер 012 (15 корпус)
- (KG) Қырғыз Республикасы  
"T AND T" ЖШҚ, 720021, Қырғызстан, Бішкек қ., Ибраимов көш., 29 А үйі
- (AM) Армения Республикасы  
"ЭЙЧ-КОН" ЖШҚ, 0070, Ереван қ., Ерманда Кочар к-сі, 19/28

Өндірілген елі: жабдықтағы белгілеу тақтайшасын қараңыз.

Өндірілген күні: жабдықтағы белгілеу тақтайшасын қараңыз.

Тиісті сертификатты мына мекенжай бойынша табуға болады: [www.hilti.ru](http://www.hilti.ru)

Сақтау, тасымалдау және пайдалану шарттарына пайдалану бойынша нұсқаулықта белгіленгеннен басқа арнайы талаптар қойылмайды.

Өнімнің қызмет ету мерзімі 5 жыл.

- Ескерту! Өнімді пайдаланбас бұрын өніммен бірге берілген пайдалану бойынша нұсқаулықты, соның ішінде нұсқаулар, қауіпсіздік және ескерту нұсқаулары, суреттер мен спецификацияларды міндетті түрде оқып шығыңыз және түсініп алыңыз. Барлық нұсқаулар, қауіпсіздік және ескерту нұсқаулары, суреттер, спецификациялар, сондай-ақ құрамдас бөлшектер және функциялармен танысып шығыңыз. Бұл нұсқау орындалмаған жағдайда, ток соғу, өрт және/немесе ауыр жарақат алу қаупі туындайды. Пайдалану бойынша нұсқаулықты, соның ішінде барлық нұсқауларды, қауіпсіздік және ескерту нұсқауларын кейін пайдалану үшін сақтап қойыңыз.
- өнімдері кәсіби пайдаланушыларға арналған және оларды тек қана өкілетті, білікті қызметкерлер пайдалануы, күтім және техникалық қызмет көрсетуі тиіс. Қызметкерлер қауіпсіздік техникасы бойынша арнайы нұсқау алуы керек. Өнім мен оның қосалқы құралдарын басқа мақсатта қолдану немесе олардың оқытылмаған қызметкерлердің тарапынан пайдаланылуы қауіпті.
- Берілген пайдалану бойынша нұсқаулық басып шығарылған мезетте техниканың ағымдағы жағдайына сәйкес келеді. Ағымдағы нұсқау әрдайым Hilti өнімдерінің веб-сайтында қолжетімді. Ол үшін осы пайдалану бойынша нұсқаулықта деп белгіленген сілтемеге өтіңіз немесе QR кодын сканерлеңіз.
- Өнімді басқа тұлғаларға тек осы пайдалану бойынша нұсқаулықпен бірге беріңіз.



## 1.2 Шартты белгілердің анықтамасы

### 1.2.1 Ескерту

Ескертулер өнімді қолдану барысындағы қауіптер туралы ескертеді. Төмендегі сигналдық сөздер пайдаланылады:

#### ҚАУІПТІ

##### ҚАУІПТІ !

- ▶ Ауыр жарақаттарға әкелетін немесе өмірге қауіп төндіретін тікелей қауіпті жағдайдың жалпы белгіленуі.

#### ЕСКЕРТУ

##### ЕСКЕРТУ !

- ▶ Ауыр жарақаттарға әкелуі немесе өмірге қауіп төндіруі мүмкін ықтимал қауіпті жағдайдың жалпы белгіленуі.

#### АБАЙЛАҢЫЗ

##### АБАЙЛАҢЫЗ !

- ▶ Жарақат алуға немесе мүліктің зақымдалуына әкелуі мүмкін ықтимал қауіпті жағдайдың жалпы белгіленуі.

### 1.2.2 Пайдалану бойынша нұсқаулықтағы белгілер

Бұл пайдалану бойынша нұсқаулықта төмендегі белгілер пайдаланылады:

	Пайдалану бойынша нұсқаулықты ұстану
	Аспапты пайдалану бойынша нұсқаулар және басқа пайдалы ақпарат
	Қайта пайдалануға болатын материалдармен жұмыс істеу
	Электр аспаптарды және аккумуляторларды тұрмыстық қоқысқа тастамаңыз
	<b>Hilti</b> Li-Ion аккумуляторы
	<b>Hilti</b> зарядтағыш құрылғысы

### 1.2.3 Суреттердегі белгілер

Суреттерде төмендегі белгілер қолданылады:

	Бұл сандар осы пайдалану бойынша нұсқаулықтың басындағы тиісті суретке сәйкес келеді.
	Нөмірлеу суреттегі жұмыс қадамдарының реттілігін білдіреді және мәтіндегі жұмыс қадамдарынан өзгешеленуі мүмкін.
	Позиция нөмірлері <b>Шолу</b> суретінде қолданылады және <b>Өнімге шолу</b> мақаласындағы шартты белгілердің нөмірлеріне сілтейді.
	Аталмыш белгілер өнімді қолдану барысында айрықша назарыңызды аудартады.

## 1.3 Өнімге қатысты белгілер

### 1.3.1 Қосымша белгілер

Төмендегі белгілер аталмыш құжаттамада немесе өнімде қосымша қолданылуы мүмкін:

	Бос жүрістегі жиілік
	Тұрақты ток
	Li-Ion аккумуляторы





	Әнім iOS және Android платформаларымен үйлесімді NFC технологиясын қолдайды.
	Аккумуляторды еш жағдайда соқпа құрал ретінде пайдаланбаңыз.
	Аккумуляторды құлатып жібермеңіз. Соққы тиген немесе басқа жолмен зақымдалған аккумуляторды пайдаланбаңыз.

## 2 Қауіпсіздік

### 2.1 Электр құралдары үшін қауіпсіздік техникасы бойынша жалпы нұсқаулар

**⚠ ЕСКЕРТУ** Бұл электр құралына арналған барлық қауіпсіздік нұсқауларын, нұсқауларды, суреттерді және техникалық деректерді оқып шығыңыз. Төменде берілген нұсқауларды орындамай электр тогының соғуына, өртке әкелуі мүмкін және/немесе ауыр жарақаттарды тудыруы мүмкін.

**Қауіпсіздік техникасы бойынша барлық нұсқауларды және нұсқауларды келесі пайдаланушы үшін сақтаңыз.**

Қауіпсіздік нұсқауларында қолданылатын «электр құралы» термині электр желісінен (желілік кабельмен) және аккумулятордан (желілік кабельсіз) жұмыс істейтін электр құралын білдіреді.

#### Жұмыс орны

- ▶ **Жұмыс орнындағы тазалықты және тәртіпті қадағалаңыз.** Жұмыс орнындағы ретсіздік және нашар жарық сәтсіз жағдайларға әкелуі мүмкін.
- ▶ **Жанғыш сұйықтықтар, газдар немесе шаң бар жарылыс қаупі бар аймақта электр құралын қолданбаңыз.** Жұмыс кезінде электр құралдары ұшқындар шығады және ұшқындар шаңды немесе буларды тұтандыруы мүмкін.
- ▶ **Балалардың және бөгде адамдардың жұмыс істеп тұрған электр құралына жақындауына рұқсат етпеңіз.** Жұмысқа көңіл бөлмегенде, электр құралын бақылау жоғалуы мүмкін.

#### Электр қауіпсіздігі

- ▶ **Электр құралдың байланыс ашасы электр желісінің розеткасына сай болуы керек. Айырдың конструкциясын өзгертеңіз. Қорғауыш жерге қосуы бар электр құралдарымен бірге өтпелі айырларды қолданбаңыз.** Түпнұсқа айырлар және оларға сай розеткалар электр тогының соғу қаупін азайтады.
- ▶ **Жерге қосылған беттерге, мысалы, құбырларға, жылыту құралдарына, пештерге (плиталарға) және тоңазытқыштарға тікелей тиюді болдырмаңыз.** Жерге қосылған заттарға тигенде электр тогының соғуының үлкен қаупі туындайды.
- ▶ **Электр құралдарды жаңбырдан немесе ылғал әсерінен сақтаңыз.** Электр құралға су тиюі нәтижесінде электр тогының соғу қаупі артады.
- ▶ **Байланыс сымын басқа мақсатта қолданбаңыз, мысалы, электр құралды тасымалдау, оны іліп қою немесе электр желісінің розеткасынан айырды шығару үшін.** Байланыс сымын жылу, май, өткір жиіктер немесе жылжымалы бөліктерден алшақ ұстаңыз. Байланыс сымының зақымдалуы немесе қабаттасуы нәтижесінде электр тогының соғу қаупі артады.
- ▶ **Егер жұмыстар ашық ауада орындалса, тек бөлмелерден тыс қолдануға рұқсат етілген ұзартқыш сымдарды пайдаланыңыз.** Бөлмелерден тыс қолдануға жарамды ұзартқыш сымды пайдалану электр тогының соғу қаупін азайтады.
- ▶ **Егер электр құралмен ылғалдылық жағдайларында жұмыс істеуді болдырмау мүмкін емес болса, шығып кететін токты қорғау автоматын қолданыңыз.** Шығып кететін токты қорғау автоматын қолдану электр тогының соғу қаупін азайтады.

#### Адамдардың қауіпсіздігі

- ▶ **Ұқыпты болыңыз, әрекеттеріңізге көңіл бөліңіз және электр құралымен жұмыс істеуге дұрыс қараңыз.** Шаршаған кезде немесе есірткі, алкоголь не дәрі қабылдаған соң электр құралын қолданбаңыз. Электр құралын қолданған кездегі зейінсіздік ауыр жарақаттарға апарып соғуы мүмкін.
- ▶ **Жеке қорғану құралдарын пайдаланыңыз және әрқашан міндетті түрде қорғауыш көзілдірікті киіңіз.** Электр құралының түріне және пайдалану жағдайларына байланысты жеке қорғану құралдарын, мысалы, шаңнан қорғайтын респираторды, сырғымайтын аяқ киімді, қорғауыш шлемді, естуді қорғау құралдарын қолдану жарақаттану қаупін азайтады.
- ▶ **Электр құралының кездейсоқ қосылуын болдырмаңыз.** Электр қуатына қосу және/немесе аккумуляторды қою, көтеру немесе тасымалдау алдында электр құралы өшірілгеніне көз жеткізіңіз. Электр құралын тасымалдағанда саусақтар сәндіріште болатын немесе қосылған электр құралы желіге қосылатын жағдайлар сәтсіз жағдайларға әкелуі мүмкін.



- ▶ **Электр құралын қосу алдында реттеуші құрылғыларды және гайка кілтін алыңыз.** Электр құралының айналатын бөлігіндегі аспап немесе кілт жарақаттарға әкелуі мүмкін.
- ▶ **Жұмыс кезінде ыңғайсыз қалыптарға тұрмауға тырысыңыз. Үнемі тұрақты күйді және тепе-теңдікті сақтаңыз.** Бұл күтпеген жағдайларда электр құралын жақсырақ басқаруға мүмкіндік береді.
- ▶ **Арнайы киімді киіңіз. Өте бос киімді немесе әшекейлерді кимеңіз. Шашты, киімді және қолғапты электр құралының айналатын түйіндерінен сақтаңыз.** Бос киім, әшекейлер және ұзын шаш оларға ілінуі мүмкін.
- ▶ **Егер шаңды жинау және кетіруге арналған құрылғыларды қосу қарастырылған болса, олар қосылғанына және мақсаты бойынша қолданылып жатқанына көз жеткізіңіз.** Шаңды кетіру модулін пайдалану шаңның зиянды әсерін азайтады.
- ▶ **Өз мойныңызға қате қауіпсіздік сезімін алмаңыз және электр құралына арналған қауіпсіздік ережелерін бұзбаңыз, тіпті электр құралын жиі қолданатын тәжірибелі пайдаланушы болсаңыз.** Мұқиятсыз қолдану бірнеше секундта ауыр жарақаттануға апарып соғуы мүмкін.

#### **Электр құралын қолдану және оған қызмет көрсету**

- ▶ **Аспапқа шамадан тыс жүктеме түсуін болдырмаңыз. Нақ осы жұмысқа арналған электр құралын қолданыңыз.** Бұл ережені сақтау көрсетілген қуат диапазонында жоғарырақ жұмыс сапасын және қауіпсіздігін қамтамасыз етеді.
- ▶ **Сөндіргіші бұзылған электр құралын қолданбаңыз.** Қосу немесе өшіру қиын электр құралы қауіпті және оны жөндеу керек.
- ▶ **Электр құралын реттеуге, саймандарды ауыстыруға кірісу алдында немесе жұмыстағы үзіліс алдында розеткадан ашаны және/немесе электр құралынан алмалы-салмалы аккумуляторды шығарыңыз.** Бұл сақтық шарасы электр құралының кездейсоқ қосылуын болдырмайды.
- ▶ **Қолданылмайтын электр құралдарын балалар жетпейтін жерде сақтаңыз. Аспаппен таныс емес немесе осы нұсқауларды оқып шықпаған адамдарға аспапты пайдалануға рұқсат бермеңіз.** Электр құралдары тәжірибесі жоқ пайдаланушылардың қолында қауіпті болады.
- ▶ **Электр құралдары мен керек-жарақтарға ұқыпты қараңыз. Айналымды бөліктердің мүлтіксіз қызмет ететінін, олардың жүрісінің жеңілдігін, барлық бөліктердің тұтастығын және электр құралының жұмысына теріс әсер етуі мүмкін зақымдардың жоқтығын тексеріңіз. Аспаптың зақымдалған бөліктерін оны қолдану алдында жөндеуге өткізіңіз.** Электр құралына техникалық қызмет көрсету ережелерін сақтамау көп етсіз жағдайлардың себебі болып табылады.
- ▶ **Кескіш аспаптардың үшкір және таза болуын қадағалау керек.** Жұмыс күйінде сақталатын кескіш аспаптардың сыналануы сиректеу болады, оларды басқару жеңілдеу.
- ▶ **Электр құралын, саймандарды, көмекші құрылғыларды және т.б. нұсқауларға сай пайдаланыңыз.** Бұл кезде жұмыс жағдайларын және орындалатын жұмыстың сипатын ескеріңіз. Электр құралдарын басқа мақсаттарда қолдану қауіпті жағдайларға әкелуі мүмкін.
- ▶ **Тұтқыштар мен тұтқыш беттерін таза, құрғақ, май іздерінсіз ұстаңыз.** Сырғанақ тұтқыштар мен олардың беттері белгілі бір жағдайларда электр құралының қауіпсіз қолданылуы мен басқарылуына жол бермейді.

#### **Аккумуляторлық аспапты пайдалану және оған қарау**

- ▶ **Аккумуляторды тек өндіруші ұсынған зарядтағыш құрылғылардың көмегімен зарядтаңыз.** Зарядтағыш құрылғыны тиісті емес аккумулятор түрлерін зарядтау үшін қолданғанда өрт туындауы мүмкін.
- ▶ **Аспаппен жұмыс істеу үшін тек тиісті аккумуляторларды қолданыңыз.** Басқа аккумуляторларды пайдалану жарақаттарға әкелуі және өрт тудыруы мүмкін.
- ▶ **Пайдаланылмайтын аккумуляторларды контакттардың тұйықталуының себебі болуы мүмкін скрепалардан, тындардан, кілттерден, инелерден, винттерден және басқа металл заттардан ары сақтаңыз.** Аккумулятор контактарының тұйықталуы күйіктерге немесе тұтануға әкелуі мүмкін.
- ▶ **Аккумулятормен тиісті емес түрде жұмыс істегенде одан электролит ағып шығуы мүмкін. Оған тияуі болдырмаңыз. Кездейсоқ тигенде сумен шайыңыз. Электролит кезге тигенде дәрігер көмегіне жүгініңіз.** Аккумулятордан ағып шыққан электролит тері тітіркенуін немесе күйіктерді тудыруы мүмкін.
- ▶ **Зақымдалған не пішіні өзгертілген аккумуляторларды қолданбаңыз.** Зақымдалған не пішіні өзгертілген аккумуляторларды болжауға болмайды және олар өрт, жарылыс не жарақаттану қаупін тудырады.
- ▶ **Аккумуляторды өрт не жоғары температуралы аймақтардан алшақ ұстаңыз.** Өрт немесе 130 °C (265 °F) жоғары температуралар жарылыс тудыруы мүмкін.
- ▶ **Зарядтау үшін барлық нұсқауларды орындаңыз және аккумулятор не аккумуляторлық құралды ешқашан пайдалану бойынша нұсқаулықта берілген температура ауқымдарынан**



**тыс зарядтамаңыз.** Қате зарядтау немесе рұқсатты температура ауқымдарынан тыс зарядтау аккумуляторды бұзуы және өрт қаупін арттыруы мүмкін.

### Қызмет

- ▶ **Электр құралын жөндеуді тек түпнұсқа қосалқы бөлшектерді қолданатын білікті қызметкерлерге сеніп тапсырыңыз.** Бұл электр құралын қауіпсіз күйде сақтауды қамтамасыз етеді.
- ▶ **Зақымдалған аккумуляторларға ешқашан қызмет көрсетпеңіз.** Аккумулятордың толық күтімін тек өндіруші немесе өкілетті қызмет көрсету орталықтары орындауы тиіс.

## 2.2 Поршеньді кескіш дискісі бар араларға арналған қауіпсіздік нұсқаулары

- ▶ **Пайдаланатын сайманыңыз көзден таса электр желісіне тиіп кетуі мүмкін болса, аспаптың арнайы жеке бөлінген жерінен ұстаңыз.** Электр сымдарына тигенде аспаптың қорғалмаған металл бөліктері кернеу астында болады. Бұл электр тогының соғуына әкелуі мүмкін.
- ▶ **Дайындаманы қысқыш немесе басқа құралдың көмегімен тұрақты астыңғы бетке бекітіп тіркеңіз.** Дайындаманы тек қана қолмен немесе денеңізге қысып ұстаған кезде, бақылау мүмкіндігінен айырылуыңыз мүмкін.

## 2.3 Қауіпсіздік техникасы бойынша қосымша нұсқаулар

- ▶ Өнімді және керек-жарақтарды тек техникалық мінсіз күйінде пайдаланыңыз.
- ▶ Өнімде немесе керек-жарақтарда ешқандай манипуляциялар не өзгерістер орындамаңыз.
- ▶ Жұмысты бастамас бұрын жұмыс аймағында жасырын электрлік сымдардың, газ бен су құбырларының бар-жоғын тексеріп шығыңыз. Қуыт сымына, газ немесе су құбырына зақым келтірген жағдайда, өнімнің сыртындағы металл бөліктер ток соғуға немесе жарылысқа әкелуі мүмкін.
- ▶ Желдету саңылауларын әрдайым бос ұстаңыз. Үсті жабылған желдету саңылауларынан өрт қаупі туындайды!
- ▶ Өнімді қолдану барысында қорғауыш көзілдірік, қорғауыш құлаққап және қорғауыш қолғап киіп жүріңіз.
- ▶ Қорғауыш көзілдіріктерді пайдаланыңыз. Материалдың сынықтары денені және көзді жарақаттауы мүмкін.
- ▶ Ажарлау, егеуқұм қағазымен тазалау, кесу және бұрғылау кезінде пайда болатын шаңның құрамында қауіпті химиялық заттар болуы мүмкін. Мысалдары келесідей: қорғасын немесе қорғасын негізіндегі бояулар; плитка, бетон және басқа кірпіш қалау өнімдері, табиғи тас және басқа силикаттық өнімдер; өмен, шамшат және химиялық затпен өңделген сүрек сияқты белгілі бір сүрек түрлері; асбест немесе құрамында асбест бар материалдар. Пайдаланушы мен оның айналасындағы адамдарға әсер ету дәрежесін өңдеу орындалатын материалдардың қауіп класы бойынша анықтаңыз. Әсерді қауіпсіз деңгейде сақтау үшін шаң жинайтын жүйелерді пайдалану немесе арнайы тыныс алу органдарының қорғанысын киіп жүру сияқты қажетті шараларды қолданыңыз. Әсер ету дәрежесін азайту бойынша жалпы шараларға төмендегілер жатады:
  - ▶ Жақсы желдетілген аймақта жұмыс істеу,
  - ▶ Шаңның ұзақ уақыт бойы тиюіне жол бермеу,
  - ▶ Шаңды көз бен денеден алыстату,
  - ▶ Қорғаныс киімін киіп жүру және әсер етілген жерлерді сумен және сабынмен жуу.
- ▶ Құлап қалған құралдардан және/немесе керек-жарақтардан жарақат алу қаупі бар. Жұмысты бастамас бұрын аккумулятор мен қондырылған керек-жарақтың берік бекітілгеніне көз жеткізіңіз.
- ▶ Өнімді жұмыс күйіне орнатылғаннан кейін ғана қосыңыз.
- ▶ Әрдайым өнімді арнайы тұтқаларынан мықтап ұстаңыз. Тұтқышты құрғақ әрі таза күйінде ұстаңыз.
- ▶ Саусақтың қан айналымын жақсарту үшін жиі үзіліс жасал, жаттығу жасаңыз. Ұзақ уақыт жұмыс істеген кезде, қатты дірілдердің салдарынан саусақ, қол не буындардың қантамыры не жүйкесіне теріс әсер тиюі мүмкін.
- ▶ Жарыққа (жарық диоды) тікелей қарамаңыз және жарықты басқа адамдардың көзіне тікелей бағытпаңыз. Соқырлық қаупі бар!
- ▶ Өнімді алып тастау алдында ол толығымен тоқтағанша күтіңіз.
- ▶ Алмалы-салмалы аспапты ауыстырған кезде қорғауыш қаптаманы тіреңіз. Алмалы-салмалы аспапқа тию кесілуге және күйіп қалуға апарып соғуы мүмкін!

## Жұқа араларға арналған қауіпсіздік бойынша арнайы нұсқаулар

- ▶ Аралау кезінде өнімді әрдайым денеден ары бағыттаңыз.
- ▶ Қолыңызды ешқашан ара төсемінің алдына немесе үстіне қоймаңыз.



- ▶ Белгісіз астыңғы бетте араламаңыз және кескіш төсемді үстінен және астынан бөгеттерден бос ұстаңыз.
- ▶ Аралау кезінде дайындаманың астын ұстамаңыз.

## 2.4 Аккумулятормен дұрыс жұмыс істеу және оны дұрыс пайдалану

- ▶ **Литий-иондық аккумуляторларды пайдалану және күту бойынша төмендегі қауіпсіздік шараларын орындаңыз.** Нұсқауларды орындамау тері тітіркенуіне, ауыр тот басқыш жарақаттарға, химиялық күйіктерге, өртенуге және/немесе жарылысқа апарып соғуы мүмкін.
- ▶ Аккумуляторларды тек техникалық мінсіз күйінде қолданыңыз.
- ▶ Зақымдалуды болдырмау және денсаулыққа қатты зиян келтіре алатын сұйықтықтардың шығуына жол бермеу үшін аккумуляторларды абайлап қолданыңыз!
- ▶ Аккумуляторларды ешбір жағдайда модификациялауға немесе құрылымына өзгеріс енгізуге болмайды!
- ▶ Аккумуляторларды бөлшектеуге, қысуға, 80°C (176°F) шамасынан жоғары температураға дейін қыздыруға және жағуға тыйым салынады.
- ▶ Соққы тиген немесе басқаша зақымдалған аккумуляторларды пайдаланбаңыз немесе зарядтамаңыз. Аккумуляторларда зақымдалу белгілерінің бар-жоғын жүйелі түрде тексеріп тұрыңыз.
- ▶ Еш жағдайда қайта өңделген немесе жөнделген аккумуляторларды пайдаланбаңыз.
- ▶ Ешқашан аккумуляторды немесе аккумуляторлық электр құралын соқпа құрал ретінде пайдаланбаңыз.
- ▶ Аккумуляторларға ешқашан тікелей күн сәулесі, жоғары температура, ұшқын немесе ашық жалын әсерін тигізбеңіз. Бұл жарылысқа апарып соғуы мүмкін.
- ▶ Батарея полюсіне саусақпен, құралдармен, әшекеймен немесе басқа да электр тогын өткізетін бөгде заттармен тиемеңіз. Бұл аккумуляторға зақым келтіруі, сондай-ақ мүлікке залал келтіруі және жарақат алуға әкелуі мүмкін.
- ▶ Аккумуляторларды жаңбыр, ылғал мен сұйықтықтарда алшақ ұстаңыз. Еніп кеткен ылғал қысқа тұйықталу, ток соғу, күйіп қалу, өртену және жарылыс қаупін тудыруы мүмкін.
- ▶ Тек осы аккумулятор түрі үшін көзделген зарядтағыш құрылғылар мен электр құралдарын пайдаланыңыз. Бұл ретте тиісті пайдалану бойынша нұсқаулықтардағы мәліметтерге назар аударыңыз.
- ▶ Аккумуляторды жарылғыш орталарда пайдаланбаңыз немесе сақтамаңыз.
- ▶ Егер тиген кезде аккумулятор тым ыстық болса, ол ақаулы болуы мүмкін. Аккумуляторды тұтанғыш материалдардан жеткілікті қашықтықта орналасқан, жақсы көрінетін, тұтанбайтын жерге қойыңыз. Аккумуляторды суытыңыз. Аккумулятор бір сағаттан кейін өлі де қолға ыстық болып тұрса, бұл оның ақаулы екендігін білдіреді. **Hilti** қызмет көрсету орталығына жолығыңыз немесе «Қауіпсіздік және **Hilti** Li-Ion аккумуляторын пайдалану бойынша нұсқаулар» атты құжатты оқып шығыңыз.



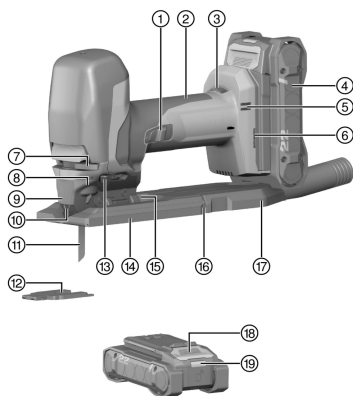
Литий-иондық аккумуляторларды тасымалдау, сақтау және пайдалану үшін қолданылатын арнайы директиваларды ескеріңіз. 126

Аталмыш пайдалану бойынша нұсқаулықтың соңындағы QR кодын сканерлеу арқылы табуға болатын **Hilti** Li-Ion аккумуляторларына арналған қауіпсіздік және пайдалану бойынша нұсқауларды оқып шығыңыз.



### 3 Сипаттама

#### 3.1 Өнімге шолу



- ① Негізгі сөндіргіш
- ② Тұтқыш
- ③ Жүрістер жиілігін реттеуге арналған орнату дөңгелегі
- ④ Аккумулятор
- ⑤ Желдету ойықтары
- ⑥ Керек-жарақтарға арналған монтаждық саңылау
- ⑦ Ара төсемдерін құлыптан босату иінтірегі
- ⑧ Құрал бекіткіші
- ⑨ Қаптама
- ⑩ Жанасудан қорғаныс
- ⑪ Ара төсемі
- ⑫ Сынудан қорғаныс
- ⑬ Маятник жүрісін реттеу иінтірегі
- ⑭ Тірек тақтасы
- ⑮ Кесік бұрышын реттеуге арналған масштабтау
- ⑯ Бекіткіш ілмек
- ⑰ Сорғыш адаптер
- ⑱ Аккумуляторды құлыптан босату түймесі
- ⑲ Аккумулятордың күй индикаторы

#### 3.2 Мақсатына сай қолдану

Сипатталған өнім қолмен басқарылатын аккумуляторлық маятниктік электр жұқа арасы болып табылады. Ол пластик, ағаш пен металл дайындамаларды және гипс пен талшықты тақталарды аралауға арналған.

Өнім стандартты сорғыш шлангілер үшін арнайы жасақталған қосымша шаңсорғышқа арналған алмалы-салмалы байланыс келте құбырымен жабдықталған. Сорғыш шлангіні өнімге жалғау үшін тиісті адаптер қажет болуы мүмкін.

- Бұл өнім үшін тек В 22 сериялы **Hilti** Nuron Li-Ion аккумуляторларын пайдаланыңыз. **Hilti** компаниясы бұл өнім үшін оңтайлы қуатқа қол жеткізу мақсатында осы пайдалану бойынша нұсқаулықтың соңындағы кестеде көрсетілген аккумуляторларды пайдалануға кеңес береді.
- Бұл аккумуляторлар үшін тек осы пайдалану бойынша нұсқаулықтың соңындағы кестеде белгіленген серияларға жататын **Hilti** зарядтағыш құрылғыларын қолданыңыз.
- Осы өнім үшін тек қана Т тәрізді білікпен (бір жұдырықшалы білік) ара төсемдерін пайдаланыңыз.

#### 3.3 Ықтимал қате қолдану

- Өнімді бұтақтар мен ағаш діңін аралау үшін пайдалануға болмайды.
- Өнімді денсаулық үшін зиянды материалдарды өңдеу үшін пайдалануға болмайды.
- Өнімді ылғалды ортада орындалатын жұмыстар үшін пайдалануға болмайды.

#### 3.4 Li-Ion аккумуляторының индикаторлары

**Hilti** Nuron Li-Ion аккумуляторлары аккумуляторлардың заряд деңгейін, ақаулық туралы хабарларын және күйін көрсете алады.

##### 3.4.1 Заряд деңгейінің және ақаулық туралы хабарлардың индикаторлары



#### ЕСКЕРТУ

##### Жарақат алу қаупі аккумулятордың құлауынан!

- ▶ Аккумулятор енгізілген кезде, құлыптан босату түймесін басқаннан кейін аккумулятордың пайдаланылатын өнімге тиісінше бекітілгеніне көз жеткізіңіз.



Төмендегі индикация көрсеткіштерінің біріне қол жеткізу үшін аккумулятордың құлыптан босату түймесін қысқаша басыңыз.

Заряд деңгейі және ықтимал ақаулықтар жалғанған өнім қосылып тұрған кезде үздіксіз көрсетіледі.

Құралдың бөлшектері	Сипаттамасы
Төрт (4) жарық диоды жасыл түспен тұрақты жанып тұр	Заряд деңгейі: 100% және 71% аралығында
Үш (3) жарық диоды жасыл түспен тұрақты жанып тұр	Заряд деңгейі: 70% және 51% аралығында
Екі (2) жарық диоды жасыл түспен тұрақты жанып тұр	Заряд деңгейі: 50% және 26% аралығында
Бір (1) жарық диоды жасыл түспен тұрақты жанып тұр	Заряд деңгейі: 25% және 10% аралығында
Бір (1) жарық диоды жасыл түспен баяу жыпылықтайды	Зарядтау күйі: < 10%
Бір (1) жарық диоды жасыл түспен жылдам жыпылықтайды	Li-Ion аккумуляторының заряды толықтай таусылды. Аккумуляторды зарядтаңыз. Жарық диоды аккумуляторды зарядтағаннан кейін сонда да жылдам жыпылықтаса, <b>Hilti</b> қызмет көрсету орталығына хабарласыңыз.
Бір (1) жарық диоды сары түспен жылдам жыпылықтайды	Li-Ion аккумуляторы немесе оған байланысты өнімге артық жүктеме түсті, қатты қызып кетті немесе басқа ақаулық орын алды. Өнім мен аккумуляторды ұсынылған жұмыс температурасына жеткізіңіз және өнімді пайдаланған кезде оған артық жүктеме түсірмеңіз. Хабар көрсетіле берсе, <b>Hilti</b> қызмет көрсету орталығына хабарласыңыз.
Бір (1) жарық диоды сары түспен жанып тұр	Li-Ion аккумуляторы және оған қосылған өнім үйлесімді емес. <b>Hilti</b> қызмет көрсету орталығына хабарласыңыз.
Бір (1) жарық диоды қызыл түспен жылдам жыпылықтайды	Li-Ion аккумуляторы құлыптаулы және оны бұдан былай пайдалану мүмкін емес. <b>Hilti</b> қызмет көрсету орталығына хабарласыңыз.

### 3.4.2 Аккумулятор күйін көрсететін индикаторлар

Аккумулятордың күйін шақыру үшін құлыптан босату түймесін үш секундтан артық басып тұрыңыз. Жүйе құлату, тесу, сыртқы жылудан зақым келтіру және т.с.с. қате қолданудан туындаған батареяның ақаулығын анықтамайды.

Құралдың бөлшектері	Сипаттамасы
Барлық жарық диодтары жұмыс шамы ретінде жанады, содан кейін бір (1) жарық диоды жасыл түспен тұрақты жанады.	Аккумуляторды ары қарай пайдалануға болады.
Барлық жарық диодтары жұмыс шамы ретінде жанады, содан кейін бір (1) жарық диоды сары түспен жылдам жыпылықтайды.	Аккумулятор күйі туралы сұрауды орындау мүмкін болмады. Әрекетті қайталаңыз немесе <b>Hilti</b> қызмет көрсету орталығына жолығыңыз.
Барлық жарық диодтары жұмыс шамы ретінде жанады, содан кейін бір (1) жарық диоды қызыл түспен тұрақты жанады.	Жалғанған өнімді ары қарай пайдалану мүмкін болса, бұл қалған аккумулятор қуатының 50% шамасынан төмен болғанын білдіреді. Жалғанған өнімді ары қарай пайдалану мүмкін болмаса, бұл аккумулятордың қызмет ету мерзімі аяқталғанын және оны алмастыру керек екендігін білдіреді. <b>Hilti</b> қызмет көрсету орталығына хабарласыңыз.



### 3.5 Жоңқаны үрлеп шығару құрылғысы

Жоңқаны үрлеп шығару құрылғысы кесу сызығын жоңқадан босату үшін ауа ағынын ара төсеміне бағыттайды.

### 3.6 Жүрістер жиілігі

Жүрістер жиілігін орнату деңгелегінде реттеуге болады. 1-позиция 800 жүріс/минут шамасына, ал 6-позиция 3000 жүріс/минут шамасына сәйкес келеді.

### 3.7 4 сатылы маятник қозғалысы

4 сатылы маятник қозғалысы арқылы кесу тереңдігі мен сапасы өңдеп жатқан материалға байланысты орнатылады. 4 сатыларды ауыстыру арнайы тұтқаның көмегімен орындалады.

Кесу жиігі қаншалықты таза және дәл болса, соншалықты кіші маятник сатысы таңдалуы мүмкін. Оңтайлы саты тәжірибеде анықталады.

Құралдың бөлшектері	Сипаттамасы
0-қадам	Маятник қозғалысы жоқ
1-қадам	Кіші маятник қозғалысы
2-қадам	Орташа маятник қозғалысы
3-қадам	Үлкен маятник қозғалысы

### 3.8 Сынудан қорғаныс

Өнім сынудан қорғаныспен жабдықталуы мүмкін.

Сынудан қорғаныс ағаш дайындамаларды аралау кезінде үстіңгі беттің жарылуына жол бермейді.

### 3.9 Өнімді автоматты түрде өшіру

Ажыратқыш 15 минуттан ұзақ үздіксіз басылғаннан кейін (мысалы, тасымалдау немесе сақтау кезінде), өнім автоматты түрде өшіп қалады. Осылайша аккумулятор зарядының толық таусылуына жол берілмейді.

### 3.10 Жеткізілім жинағы

Ара төсемі бар маятниктік электр жұқа арасы, қаптама, сорғыш адаптер, сынудан қорғаныс, пайдалану бойынша нұсқаулық, ішкі алты қырлы гайка кілті.

Оған қоса өніміңіз үшін рұқсат етілген жүйелік өнімді **Hilti Store** дүкенінде немесе келесі веб-сайтта табуға болады: [www.hilti.group](http://www.hilti.group)

## 4 Техникалық сипаттамалар

### 4.1 Маятниктік электр жұқа арасы

	SJT 6-22
Өнім буыны	02
Номиналды кернеу	21,6 В
ЕРТА Procedure 01 стандарты бойынша аккумуляторсыз салмағы	2,1 кг
Жүріс биіктігі	28 мм
Бос жүрістегі жиілік (n <sub>0</sub> )	800 А/мин ... 3000 А/мин
Ағаш бойынша макс. кесу өнімділігі	150 мм
Алюминий бойынша макс. кесу өнімділігі	25 мм
Қоспасыз болат бойынша макс. кесу өнімділігі	10 мм
Кесік бұрышы (сол жақ/оң жақ)	0° ... 45°
Сорғыш адаптердің сыртқы диаметрі	27,5 мм
Сақтау температурасы	-20 °С ... 70 °С
Жұмыс кезіндегі қоршаған орта температурасы	-17 °С ... 60 °С



## 4.2 Шуыл туралы ақпарат және діріл мәні

Осы нұсқауларда көрсетілген дыбыс қысымы мен діріл деңгейі стандартты өлшеу әдісімен өлшенген және оны басқа электр құралдарымен салыстыру үшін пайдалануға болады. Сонымен бірге, ол экспозицияны алдын ала бағалау үшін жарайды.

Берілген деректер электр құралының негізгі жұмысын көрсетеді. Алайда, егер электр құралы басқа мақсаттарда, басқа жұмыс аспаптарымен қолданылса немесе оған қанағаттандырмайтын техникалық қызмет көрсетілсе, деректер өзгеше болуы мүмкін. Осының салдарынан аспаптың бүкіл жұмыс істеу кезеңінде экспозиция айтарлықтай артуы мүмкін.

Экспозицияны дәл анықтау үшін электр құралы сөндірілген күй немесе бос жұмыс істейтін уақыт аралықтарын да ескеру керек. Осының салдарынан аспаптың бүкіл жұмыс істеу кезеңінде экспозиция айтарлықтай азаюы мүмкін.

Пайдаланушыны пайда болатын шуылдан және/немесе дірілден қорғау үшін қосымша сақтық шараларын қолданыңыз, мысалы: электр аспабына және жұмыс аспаптарына техникалық қызмет көрсету, қолдардың жылуын сақтау, жұмыс процестерін дұрыс ұйымдастыру.



Осы құжатта қолданылатын EN 62841 стандарттарының нұсқалары туралы толық ақпарат сәйкестік бойынша декларацияның суретінде 251 берілген.

### Шуылдың эмиссиялық көрсеткіші

	SJT 6-22
Дыбыс күшінің деңгейі ( $L_{WA}$ )	99 дБ(A)
Дыбыс күшінің деңгейі бойынша дәлсіздік ( $K_{WA}$ )	5 дБ(A)
Дыбыс қысымының деңгейі ( $L_{pA}$ )	91 дБ(A)
Дыбыс қысымының деңгейі бойынша дәлсіздік ( $K_{pA}$ )	5 дБ(A)

### Дірілдің жалпы көрсеткіштері

	SJT 6-22	
Дірілдің эмиссиялық көрсеткіші, ағаш жоңқалы тақталарды аралау ( $a_{h,e}$ )	B 22-55	5,2 м/с <sup>2</sup>
	B 22-255	5,3 м/с <sup>2</sup>
Металл парақты аралау бойынша діріл эмиссиясының мәні ( $a_{h,m}$ )	B 22-55	8,5 м/с <sup>2</sup>
	B 22-255	7,2 м/с <sup>2</sup>
Дәлсіздік (K)		1,5 м/с <sup>2</sup>

## 4.3 Аккумулятор

Аккумулятордың жұмыс кернеуі	21,6 В
Аккумулятор салмағы	Осы пайдалану бойынша нұсқаулықтың соңын қараңыз
Жұмыс кезіндегі қоршаған орта температурасы	-17 °C ... 60 °C
Сақтау температурасы	-20 °C ... 40 °C
Заряптаудың басындағы аккумулятор температурасы	-10 °C ... 45 °C

## 5 Жұмысқа дайындық

### ЕСКЕРТУ

**Жарақат алу қаупі абайсыздан қосылу себебінен!**

- ▶ Аккумуляторды орнату алдында оған қатысты өнімнің өшірілгеніне көз жеткізіңіз.
- ▶ Аспап реттеулерін орындау немесе қосалқы бөлшектерді алмастыру алдында аккумуляторды шығарыңыз.

Осы құжаттамадағы және өнімдегі қауіпсіздік және ескерту нұсқауларын орындаңыз.





### 5.1 Аккумуляторды зарядтау

1. Зарядтау алдында зарядтағыш құрылғының пайдалану бойынша нұсқаулығын оқып шығыңыз.
2. Аккумулятордағы және зарядтағыш құрылғыдағы контактілердің таза әрі құрғақ екендігіне көз жеткізіңіз.
3. Аккумуляторды рұқсат етілген зарядтағыш құрылғы ішінде зарядтаңыз. 119

### 5.2 Аккумуляторды орнату

#### ЕСКЕРТУ

**Жарақат алу қаупі қысқа тұйықталудан немесе аккумулятордың құлауынан!**

- ▶ Аккумуляторды орнату алдында аккумулятор контактілерінде және өнімдегі контактілерде бөгде заттардың жоқтығына көз жеткізіңіз.
  - ▶ Аккумулятордың әркез дұрыс орнатылғанына көз жеткізіңіз.
1. Аккумуляторды алғаш рет іске қоспас бұрын зарядтаңыз.
  2. Аккумуляторды өнімге шерту дыбысымен тірелгенше кіргізіңіз.
  3. Аккумулятордың аспапқа берік бекітілгенін тексеріңіз.

### 5.3 Аккумуляторды шығару

1. Аккумулятордың құлыптан босату түймесін басыңыз.
2. Аккумуляторды өнімнен шығарыңыз.

### 5.4 Ара төсемін орнату

1. Ара төсемін (тістерімен кесу бағытында) құрал бекіткішіне (өзіне тән шырт еткен дыбысқа дейін) салыңыз.
2. Берік бекітілгеніне көз жеткізу үшін төсемді тартып көріңіз.

### 5.5 Қаптаманы орнату

- ▶ Қаптаманы алдыңғы жақтан өнімге қарай тірелгенше жылжытыңыз.



Қаптаманы, тірек тақтасы қалыпты позицияда (0° кесік бұрышы) болғанда ғана орнатуға болады. 124

### 5.6 Сорғыш адаптерді орнату

1. Сорғыш адаптерді көлденеңінен артқы жақтан тірек тақтасының ішіне бекіткіш ілмектердің екеуі де бүйірде тірелгенше жылжытыңыз.
2. Шаңсорғыштың шлангісін сорғыш адаптерге жалғаңыз.

### 5.7 Сынудан қорғанысты монтаждау

- ▶ Сынудан қорғанысты астыңғы жақтан тірек тақтасының ішіне басыңыз.



Сынудан қорғанысты тек ол үшін қарастырылған ара төсемдері үшін пайдалануға болады. Сынудан қорғанысты, тірек тақтасы қалыпты позицияда (0° кесік бұрышы) болғанда ғана пайдалануға болады. 124

### 5.8 Биіктен құлаудан қорғаныс

#### ЕСКЕРТУ

**Жарақат алу қаупі** құралдың және/немесе керек-жарақтың құлауынан!

- ▶ Тек өнім үшін ұсынылған Hilti құрал ұстағыш арқанын қолданыңыз.
- ▶ Құрал ұстағыш арқанның бекіту нүктесінде әр пайдалану алдында зақымдардың бар-жоғын тексеріп шығыңыз.
- ▶ Құрал ұстағыш арқанды белдік ілмегіне бекітпеңіз. Белдік ілмегін өнімді көтеру үшін пайдаланбаңыз.





Биік жерде жұмыс істеу бойынша ұлттық нұсқамаларды орындаңыз.

Бұл өнім үшін биіктен құлаудан қорғаныс ретінде тек **Hilti** құлаудан сақтандырғышы мен **Hilti** компаниясы ұсынған #2261970 құрал ұстағыш арқанының қисындасын қолданыңыз.

- ▶ Құлаудан сақтандырғышты керек-жараққа арналған монтаждық саңылауларға бекітіңіз. Берік бекітілгенін тексеріңіз.
- ▶ Құрал ұстағыш арқанының карабинін құлаудан сақтандырғышқа, ал екінші карабинді жүк көтеретін құрылымға бекітіңіз. Екі карабиннің берік бекітілгенін тексеріңіз.



**Hilti** құлаудан сақтандырғышының және **Hilti** құрал ұстағыш арқанының пайдалану бойынша нұсқаулықтарына назар аударыңыз.

## 6 Қызмет көрсету

Осы құжаттамадағы және өнімдегі қауіпсіздік және ескерту нұсқауларын орындаңыз.

### 6.1 Шаңсорғышты пайдалану



Шаңсорғыш аппарат шаң жүктемесін азайтады, кесудің жақсырақ көрерлігіне байланысты жұмыс қауіпсіздігін көтереді және шаң мен жоңқадан болатын жұмыс орнындағы жүктемелердің алдын алады.

1. Қаптаманы орнатыңыз. 123
2. Шаңның үлкен мөлшерін тудыратын ағаштан немесе басқа материалдардан жасалған бөлшектермен жұмыс істегенде әрдайым шаңсорғышты пайдаланыңыз.

### 6.2 Кесік бұрышын реттеу

1. Сорғыш адаптерді бөлшектенізі. 125
2. Тірек тақтасындағы бұrandаны босатыңыз.
3. Қалаулы кесік бұрышын (қос бағытта 0° - 45° аралығында) орнатыңыз.
  - ▶ Кесік бұрышы 0° болған кезде, тірек тақтасы айналмайтын күйде болады. Кесік бұрышын реттей алу үшін алдымен тірек тақтасын артқа тарту қажет.
  - ▶ Тірек тақтасын 0° кесік бұрышына қайтарғаннан кейін тірек тақтасын айналмайтын күйде бекіту үшін қайтадан алға жылжытыңыз.
4. Бұrandаны қайтадан тартыңыз.
  - ▶ Тірек тақтасы қатты тартылған.

### 6.3 Қосу



Қауіпсіздік функциясы, өнім алдымен қосылып, содан кейін аккумулятор салынған жағдайда, өнімнің іске қосылмауын қамтамасыз етеді.  
Ажыратқышты кері, ал содан кейін қайтадан алға жылжытыңыз.

- ▶ Ажыратқышты алға жылжытыңыз.

### 6.4 Материалға ойып орнату

1. Маятник жүрісін реттеу тұтқасын 0 күйіне орнатыңыз.
2. Өнімді тірек тақтасының алдыңғы жиегімен дайындамаға орнатыңыз.
3. Өнімді ұстап тұрып, ажыратқышты басыңыз.
4. Өнімді дайындамаға қатты басып, орнату бұрышын азайту арқылы батырыңыз.
5. Дайындаманы тесіп алған жағдайда, өнімді қалыпты жұмыс күйіне қайтарыңыз.
  - ▶ Тірек тақтасы жазықтық бойынша қойылған.
6. Кесу сызығы бойынша кесуді жалғастырыңыз.



## 6.5 Өшіру

- ▶ Ажыратқышты артқа жылжытыңыз.

## 7 Демонтаж

### 7.1 Сорғыш адаптерді бөлшектеу

1. Бекіткіш ілмектердің екеуін де ішке басыңыз.
2. Сорғыш адаптерді тірек тақтасынан артқа қарай тартыңыз.
3. Шаңсорғыш шлангысын адаптерден ажыратыңыз.

### 7.2 Қаптаманы алып тастау

- ▶ Қаптаманы аздап еңкейтеңіз және оны алға жылжытумен алыңыз.

### 7.3 Ара төсемін шығарып тастау

#### ЕСКЕРТУ

**Жарақат алу қаупі бар.** Ара төсемінің бақылаусыз шығып кетуі жарақаттануға апарып соғуы мүмкін.

- ▶ Ара төсемі шығарылған кезде өнімді адамдар не жануарлар ара төсемінің шығып кетуінен жарақат алмайтындай етіп ұстап тұрыңыз.
- ▶ Ара төсемін құлыптан босату иінтірегін бүйіріне тірелгенше бұраңыз.
  - ▶ Ара төсемі босатылып, шығарып тасталады.

## 8 Күтім және техникалық қызмет көрсету

#### ЕСКЕРТУ

**Акумулятор енгізілген кезде жарақат алу қаупі бар !**

- ▶ Күтім және техникалық қызмет көрсету бойынша кез келген жұмыстарды орындамас бұрын әрдайым акумуляторды шығарыңыз!

#### Өнімге қызмет көрсету

- Қатты жабысып қалған кірді абайлап кетіріңіз.
- Бр болса, желдету саңылауларын құрғақ, жұмсақ қылшақпен мұқият тазалаңыз.
- Корпусты сәл суланған шүберекпен ғана тазалаңыз. Ешқандай силикон қамтитын күтім құралдарын пайдаланбаңыз, себебі олар пластик бөлшектерге зақым келтіруі мүмкін.
- Өнімнің контактілерін тазалау үшін таза, құрғақ шүберекті қолданыңыз.

#### Литий-иондық акумуляторға қызмет көрсету

- Еш жағдайда желдету саңылаулары бітелген акумуляторды қолданбаңыз. Желдету саңылауларын құрғақ, жұмсақ қылшақпен жақсылап тазалаңыз.
- Акумуляторға шаңның немесе кірдің қажетсіз тиюіне жол бермеңіз. Акумуляторға қатты ылғалдың тиюіне ешқашан жол бермеңіз (мысалы, суға батыру немесе жаңбыр астына қою арқылы). Акумулятор су болса, оны зақымдалған акумулятор ретінде қарастырыңыз. Оны тұтанбайтын контейнерге оқшаулап, **Hilti** қызмет көрсету орталығына хабарласыңыз.
- Акумуляторды бөгде май мен майлағыштан таза ұстаңыз. Акумуляторда шаң не кірдің қажетсіз жиналуына жол бермеңіз. Акумуляторды құрғақ, жұмсақ қылшақпен немесе таза, құрғақ шүберекпен тазалаңыз. Ешқандай силикон қамтитын күтім құралдарын пайдаланбаңыз, себебі олар пластик бөліктерге зақым келтіре алады.
- Акумулятордың контактілеріне тиемеңіз және зауыттан тыс қолданылған майды контактілерден кетіріңіз.
- Корпусты сәл суланған шүберекпен ғана тазалаңыз. Ешқандай силикон қамтитын күтім құралдарын пайдаланбаңыз, себебі олар пластик бөлшектерге зақым келтіруі мүмкін.

#### Техникалық қызмет көрсету

- Көзге көрінетін барлық бөлшектерде зақымдардың бар-жоғын және басқару элементтерінің ақаусын жұмысын жиі тексеріп тұрыңыз.
- Өнім зақымдалған және/немесе ақаулы болған жағдайда, оны пайдаланушы болмаңыз. Өнімді міндетті түрде **Hilti** қызмет көрсету орталығында жөндетіңіз.



- Күтім және техникалық қызмет көрсету жұмыстарынан кейін барлық қорғауыш құрылғыларды орнатып, олардың ақаусыз жұмыс істегенін тексеріңіз.



Қауіпсіз жұмысты қамтамасыз ету үшін тек түпнұсқа қосалқы бөлшектер мен шығын материалдарын қолданыңыз. **Hilti** мақұлдаған қосалқы бөлшектер, шығын материалдары мен өнімге арналған керек-жарақтар **Hilti Store** дүкенінде немесе келесі веб-сайтта қолжетімді: [www.hilti.group](http://www.hilti.group)

## 8.1 Сорғыш адаптерді тазалау

1. Сорғыш адаптерді бөлшектеніңіз. 125
2. Сорғыш адаптерді тазалаңыз.
3. Бекіткіш ілмектердің зақымдалмағанын қадағалап тұрыңыз.
4. Сорғыш адаптерді орнатыңыз. 123

## 8.2 Ара төсемдерін тазалау

1. Пайдаланылатын ара төсемдерінен шайырды жиі кетіріңіз.
2. Ара төсемін 24 сағатқа жермайға немесе стандартты шайыр кетіргіш құралға салып қойыңыз.

## 9 Аккумуляторлық құралдар мен аккумуляторларды тасымалдау және сақтау

### Тасымалдау

#### АБАЙЛАҢЫЗ

**Тасымалдау кезіндегі кенет іске қосылу !**

- ▶ Өніміңізді әрдайым аккумуляторын шығарып алып тасымалдаңыз!
- ▶ Аккумулятор(лар)ды шығарыңыз.
- ▶ Аккумуляторларды ешқашан үймеде тасымалдамаңыз. Тасымалдау барысында аккумуляторларды шамадан артық соққы мен дірілден қорғау және олардың басқа батарея полюстерімен жанасуына және қысқа тұйықталудың туындауына жол бермеу үшін кез келген ток өткізгіш материалдардан немесе басқа аккумуляторлардан оқшаулау керек. **Аккумуляторларға арналған жергілікті тасымалдау ережелерін сақтаңыз.**
- ▶ Аккумуляторларды поштамен жіберуге болмайды. Зақымдалмаған аккумуляторларды жіберу қажет болғанда, жеткізуші кәсіпорындарға хабарласыңыз.
- ▶ Өнім мен аккумуляторларды әр пайдаланбас бұрын және ұзақ уақыт бойы тасымалдағаннан кейін зақымдардың бар-жоғын тексеріп шығыңыз.

### Сақтау

#### ЕСКЕРТУ

**Бүлінген немесе заряды таусылған аккумуляторлардан күтілмеген зақымдалу !**

- ▶ Өніміңізді әрдайым аккумуляторын шығарып алып сақтаңыз!
- ▶ Өнім мен аккумуляторларды салқын және құрғақ жерде сақтаңыз. Техникалық деректерде көрсетілген температураның шектік мәндерін ескеріңіз.
- ▶ Аккумуляторларды зарядтағыш құрылғыда сақтамаңыз. Аккумуляторды зарядтағаннан кейін әрдайым зарядтағыш құрылғыдан шығарыңыз.
- ▶ Аккумуляторларды еш жағдайда күн мен жылу көздерінің астында немесе шыны әйнек артында сақтамаңыз.
- ▶ Өнім мен аккумуляторларды балалар мен рұқсаты жоқ адамдардың қолы жетпейтін жерде сақтаңыз.
- ▶ Өнім мен аккумуляторларды әр пайдаланбас бұрын және ұзақ уақыт бойы сақтағаннан кейін зақымдардың бар-жоғын тексеріп шығыңыз.

## 10 Ақаулардағы көмек

Кез келген ақаулар орын алған жағдайда, аккумулятордың заряд деңгейі мен ақау индикаторына назар аударыңыз. **Li-Ion аккумуляторларының индикаторлары** бөлімін қараңыз.

Бұл кестеде келтірілмеген немесе өзіңіз түзете алмайтын ақаулар орын алғанда, **Hilti** қызмет көрсету орталығына хабарласыңыз.



Ақаулық	Ықтимал себеп	Шешім
Ара төсемі сыртқа шығып кетеді.	Ара төсемі дұрыс бұғатталмайды.	<ul style="list-style-type: none"> <li>► Созу әрекетін қайталаңыз.</li> <li>► Құрал бекіткіші толық ашылғанына және ара төсемі қарсылыққа қарай басылғанына көз жеткізіңіз.</li> </ul>
	Созу жүйесі ластанған.	► Құрал бекіткішін тазалаңыз.
Ара төсемін енгізуге болмайды.	Созу жүйесі ластанған.	► Құрал бекіткішін тазалаңыз.
Маятник жүрісін ауыстыруға болмайды.	Маятник иінтірегiнiң гайкасы ластанған.	► Маятник иінтірегiнiң гайкасын кірден тазартыңыз.
Маятник жүрісі қызмет етпейді.	Маятник механизмі ластанған.	► Маятник ашасының аумағында кірдің бар-жоғын тексеріп шығыңыз да, оны жойыңыз.
	Маятник жүрісінiң иінтірегi «0» позициясында.	► Қалаулы мөнді орнатыңыз.
Аккумулятор заряды едеттегіден жылдам бітеді.	Қоршаған орта температурасы тым төмен.	► Аккумуляторды ұзақ уақытта бөлме температурасында жылытыңыз.
Аккумулятор естілетін шырты ету дыбысымен бекітілмейді.	Аккумулятордағы бекіткіш тілшік ластанған.	► Тіреуіш шығыңқы жерін тазалаңыз және аккумуляторды қайтадан салыңыз.
Өнімде немесе аккумуляторда қатты жылу пайда болды.	Электрлік ақаулық	► Өнімді бірден өшіріңіз, аккумуляторды шығарыңыз, оны қадағалап, салқындауына мүмкіндік беріңіз және <b>Hilti</b> қызмет көрсету орталығына хабарласыңыз.
Аккумулятордың жарық диодтары өшірулі	Аккумулятор бүлінген	► <b>Hilti</b> қызмет көрсету орталығына жолығыңыз.

## 11 Кәдеге жарату

### ЕСКЕРТУ

**Қате жолмен кәдеге жаратудан жарақат алу қаупі бар!** Газдардың немесе сұйықтықтардың шығуынан денсаулыққа зиян келтіру қаупі бар.

- Зақымдалған аккумуляторларды жіберуге немесе жөнелтуге болмайды!
- Қысқа тұйықталуға жол бермеу үшін, қосылымдарды ток өткізбейтін материалмен жауып қойыңыз.
- Аккумуляторларды балалардың қолына жетпейтіндей етіп кәдеге жаратыңыз.
- Аккумуляторды **Hilti Store** дүкенінде кәдеге жаратыңыз немесе жергілікті кәдеге жарату кәсіпорнына хабарласыңыз.

**Hilti** өнімдері қайта өңдеу үшін жарамды көптеген материалдардың санынан тұрады. Кәдеге жарату алдында материалдарды мұқият сұрыптау керек. Көптеген елдерде **Hilti** компаниясы ескі аспаптарды кәдеге жарату үшін қабылдайды. **Hilti** қызмет көрсету орталығынан немесе дилерден сұраңыз.



- Электр құралдарды, электрондық құрылғылар мен аккумуляторларды тұрмыстық қоқыспен бірге тастамаңыз!

## 12 Өндіруші кепілдігі

- Кепілдік шарттары туралы сұрақтарыңыз болса, жергілікті **Hilti** серіктесіне жолығыңыз.



## 13 Қосымша ақпарат

Басқару, техника, қоршаған орта және қайта өңдеу туралы қосымша ақпаратты мына сілтеме бойынша қараңыз:

[qr.hilti.com/manual/?id=2264217&id=2264218](http://qr.hilti.com/manual/?id=2264217&id=2264218)


Бұл сілтеме құжаттаманың соңында QR коды ретінде қолжетімді.



## Оригинално Ръководство за експлоатация

### 1 Данни за Ръководството за експлоатация

#### 1.1 За ръководството за експлоатация

- **Предупреждение!** Преди да включите продукта, се уверете, че приложеното към продукта ръководство за експлоатация, включително инструкциите, указанията за безопасност и предупредителните указания, фигури и спецификации, са прочетени и разбрани. Запознайте се с всички инструкции, указания за безопасност и предупредителни указания, фигури, спецификации, както и съставни части и функции. При неспазване има опасност от електрически удар, пожар и/или тежки наранявания. Съхранявайте ръководството за експлоатация, включително всички инструкции, указания за безопасност и предупредителни указания за последващо използване.
- **HILTI** Продуктите са предназначени за професионални потребители и могат да бъдат обслужвани, поддържани в изправност и ремонтирани само от оторизиран компетентен персонал. Този персонал трябва да бъде специално инструктиран за възможните опасности. Продуктът и неговите приспособления могат да бъдат опасни, ако бъдат експлоатирани неправомерно от неквалифициран персонал или ако бъдат използвани не по предназначение.
- Приложеното ръководство за експлоатация отговаря на актуалното състояние на техниката момента на отпечатване. Винаги ще намерите актуалната версия онлайн на продуктовата страница на Hilti. Последвайте за тази цел връзката или QR кода в настоящото ръководство за експлоатация, обозначен със символа .
- Предавайте продукта на други лица само заедно с настоящото ръководство за експлоатация.

#### 1.2 Условни обозначения

##### 1.2.1 Предупредителни указания

Предупредителните указания предупреждават за опасност в зоната около продукта. Използват се следните сигнални думи:

#### **ОПАСНОСТ**

##### **ОПАСНОСТ !**

- ▶ Отнася се за непосредствена опасност от заплаха, която води до тежки телесни наранявания или смърт.

#### **ПРЕДУПРЕЖДЕНИЕ**

##### **ПРЕДУПРЕЖДЕНИЕ !**

- ▶ Отнася се за възможна опасност от заплаха, която може да доведе до тежки телесни наранявания или смърт.

#### **ПРЕДПАЗЛИВОСТ**

##### **ВНИМАНИЕ !**

- ▶ Отнася се за възможна опасна ситуация, която може да доведе до телесни наранявания или материални щети.



### 1.2.2 Символи в Ръководството за експлоатация

В настоящото Ръководство за експлоатация се използват следните символи:

	Да се съблюдава Ръководството за експлоатация
	Препоръки при употреба и друга полезна информация
	Боравене с рециклируеми материали
	Не изхвърляйте електроуреди и акумулатори в битовите отпадъци
	<b>Hilti</b> Литиево-йонен акумулатор
	<b>Hilti</b> Зарядно устройство

### 1.2.3 Символи във фигурите

Във фигурите се използват следните символи:

	Тези числа препращат към съответната фигура в началото на настоящото Ръководство за експлоатация.
	Номерацията възпроизвежда последователното изпълнение на работните стъпки в изображението и може да се различава от работните стъпки в текста.
	Позиционните номера се използват във фигурата <b>Преглед</b> и препращат към номерата на легендата в Раздел <b>Преглед на продукта</b> .
	Този знак трябва да привлече Вашето специално внимание при работа с продукта.

## 1.3 Символи в зависимост от продукта

### 1.3.1 Допълнителни символи

В настоящата документация или върху продукта може да се използват допълнително следните символи:

	Брой ходове при празен ход
	Постоянен ток
	Литиево-йонен акумулатор
	Продуктът поддържа NFC-технология, която е съвместима с iOS- и Android платформи.
	Никога не използвайте акумулатора като ударен механизъм.
	Не оставяйте акумулатора да падне. Не използвайте акумулатор, който е бил ударен или е повреден по друг начин.

## 2 Безопасност

### 2.1 Общи указания за безопасност при електроинструменти

**⚠ ПРЕДУПРЕЖДЕНИЕ** Прочетете всички указания за безопасност, инструкции, илюстрации и технически характеристики, с които е снабден този електроинструмент. Пропуски при спазване на приведените по-долу инструкции могат да предизвикат електрически удар, пожар и/или тежки наранявания.

**Съхранявайте всички указания за безопасност и инструкции за бъдещи справки.**

Използването в указанията за безопасност понятие "електроинструмент" се отнася до захранвани от електрическата мрежа електроинструменти (със захранващ кабел) или до захранвани от акумулатор електроинструменти (без захранващ кабел).



**Безопасност на работното място**

- ▶ **Поддържайте работното си място чисто и добре осветено.** Безпорядъкът или недостатъчното осветление в работната зона може да доведат до злополуки.
- ▶ **Не работете с електроинструмента във взривоопасна среда, където има горими течности, газове или прах.** В електроинструментите се отделят искри, които могат да възпламенят прахове или изпарения.
- ▶ **Дръжте деца и странични лица на безопасно разстояние, докато работите с електроинструмента.** Ако вниманието Ви бъде отклонено, може да загубите контрол върху уреда.

**Безопасност при работа с електроинструменти**

- ▶ **Съединителният щепсел на електроинструмента трябва да бъде подходящ за контакта.** В никакъв случай не се допуска изменение на конструкцията на щепсела. Ако работите със заземени електроинструменти, не използвайте адаптери за щепсела. Използването на оригинални щепсели и подходящи контакти намалява риска от електрически удар.
- ▶ **Избягвайте допира на тялото Ви до заземени повърхности като тръби, отоплителни уреди, печки и хладилници.** Рискът от възникване на електрически удар се увеличава, ако тялото Ви е заземено.
- ▶ **Предпазвайте електроинструментите от дъжд или влага.** Проникването на вода в електроинструмента повишава опасността от възникване на електрически удар.
- ▶ **Не използвайте съединителния проводник за цели, за които не е предназначен, напр. за носене на електроинструмента, за окачване или за изваждане на щепсела от контакта.** Предпазвайте съединителния проводник от нагряване, масла, остри ръбове или движещи се части. Повредени или усукани съединителни проводници увеличават риска от електрически удар.
- ▶ **Ако работите с електроинструмент на открито, използвайте само удължителни кабели, които са подходящи и за работа навън.** Използването на удължителен кабел, предназначен за работа на открито, намалява риска от електрически удар.
- ▶ **Ако не можете да избегнете работа с електроинструмента във влажна среда, използвайте ключ с вградена дефектнотокова защита.** Използването на ключ с вградена дефектнотокова защита намалява риска от електрически удар.

**Безопасен начин на работа**

- ▶ **Бъдете концентрирани, следете внимателно действията си и постъпвайте разумно при работа с електроинструменти.** Не използвайте електроинструмент, ако сте уморени или се намирате под въздействие на наркотици, алкохол или медикаменти. Само един момент на невнимание при използването на електроинструмента може да доведе до сериозни наранявания.
- ▶ **Носете лични предпазни средства и работете винаги със защитни очила.** Носенето на лични предпазни средства, като прахозащитна маска, обезопасени обувки със стабилен грайфер, защитна каска или антифони, според вида и употребата на електроинструмента, намалява риска от наранявания.
- ▶ **Избягвайте неволно включване на електроинструмента. Уверете се, че електроинструментът е изключен, преди да го свържете към електрозахранването и/или акумулатора, преди да го вземате или пренасяте.** Ако при носене на електроинструмента държите пръста си върху пусковия прекъсвач или ако свържете включения уред към електрозахранването, съществува опасност от злополука.
- ▶ **Преди да включите електроинструмента, се уверете, че сте отстранили от него всички инструменти за настройка или гаечни ключове.** Инструмент или ключ, който се намира на въртящо се звено, може да доведе до наранявания.
- ▶ **Избягвайте неудобните положения на тялото. Работете при стабилно положение на тялото и пазете равновесие във всеки един момент.** Така ще можете да контролирате електроинструмента по-добре, ако възникнат неочаквани ситуации.
- ▶ **Работете с подходящо облекло. Не работете с широки и дълги дрехи или украшения. Дръжте косата си, дрехите си и ръкавиците си на безопасно разстояние от въртящи се части.** Свободните дрехи, украшенията или дългите коси могат да бъдат захванати и увлечени от въртящи се части.
- ▶ **Ако е възможно монтирането на съоръжения за събиране и изсмукване на прах, се уверете, че те са включени и се използват правилно.** Използването на прахоуловител може да намали породените от прахове опасности.
- ▶ **Не се поддавайте на измамното усещане за сигурност и не пренебрегвайте правилата за безопасност за електроинструменти дори и след като много добре сте опознали електроинструмента и сте го използвали многократно.** Нехайното действие може да доведе за части от секундата до тежки наранявания.





### Използване и обслужване на електроинструмента

- ▶ **Не претоварвайте уреда.** Използвайте електроинструмента само съобразно неговото предназначение. Ще работите по-добре и по-безопасно, ако използвате подходящия електроинструмент в посочения диапазон на мощност.
- ▶ **Не използвайте електроинструмент, чийто прекъсвач е повреден.** Електроинструмент, който не може повече да бъде включван или изключван, е опасен и трябва да бъде ремонтиран.
- ▶ **Издадете щепсела от контакта и/или отстранете разглобения акумулатор, преди да предприемете действия по настройките на уреда, смяната на принадлежности или прибирането на уреда.** Тази предпазна мярка предотвратява опасността от задействане на електроинструмента по невнимание.
- ▶ **Съхранявайте неизползвани в момента електроинструменти далеч от достъпа на деца.** Не допускайте използването на уреда от лица, които не са запознати с него или не са прочели настоящите инструкции. В ръцете на неопитни потребители електроинструментите могат да бъдат опасни.
- ▶ **Отнасяйте се грижливо към електроинструменти и принадлежности.** Проверявайте дали подвижните елементи функционират безупречно и не заклинват, дали има счупени или повредени части, които нарушават функциите на електроинструмента. Преди да използвате уреда, дайте повредените части за ремонт. Много злополуки се дължат на лошо поддържани електроинструменти.
- ▶ **Поддържайте режещите инструменти винаги добре заточени и чисти.** Добре поддържаните режещи инструменти с остри ръбове заклинват по-рядко и се водят по-лесно.
- ▶ **Използвайте електроинструменти, принадлежности, сменяеми инструменти и т.н. съгласно настоящите инструкции.** Съобразявайте се и с конкретните работни условия и с дейностите, които трябва да бъдат извършвани. Употребата на електроинструменти за цели, различни от предвидените от производителя, може да доведе до опасни ситуации.
- ▶ **Поддържайте ръкохватките и повърхностите за хващане сухи, чисти и незамърсени от масла и смазки.** Хлъзгави ръкохватки и повърхности за хващане не позволяват безопасно обслужване и контрол на електроинструмента в непредвидени ситуации.

### Използване и обслужване на акумулаторния инструмент

- ▶ **Зареждайте акумулаторите само с препоръчани от производителя зарядни устройства.** При зарядно устройство, подходящо за определен вид акумулатори, съществува опасност от пожар, ако то се използва с други акумулатори.
- ▶ **Използвайте в електроинструментите само предвидените за съответния модел акумулатори.** Употребата на други акумулатори може да доведе до наранявания и опасност от пожар.
- ▶ **Съхранявайте неизползваните акумулатори далече от кламери, монети, ключове, пирони, винтове или други дребни метални предмети, тъй като те могат да предизвикат късо съединение в контактите.** При късо съединение в контактите на акумулатора може да се получат изгаряния или да възникне пожар.
- ▶ **Ако акумулаторът се използва неправилно, от него може да излезе течност.** Избягвайте контакт с тази течност. При случаен контакт изплакнете мястото обилно с вода. Ако течността попадне в очите, потърсете допълнително лекарска помощ. Излишната от акумулатора течност може да причини кожни раздразнения или изгаряния.
- ▶ **Не използвайте повреден или модифициран акумулатор.** Повредените или модифицирани акумулатори могат да имат непредвидимо поведение и да предизвикат огън, експлозия или да породят опасност от наранявания.
- ▶ **Не подлагайте акумулатора на въздействието на огън или твърде високи температури.** Огън или температури над 130 °C (265 °F) могат да предизвикат експлозия.
- ▶ **Следвайте всички инструкции относно зареждането и никога не зареждайте акумулатора или акумулаторния инструмент извън посочения в Ръководството за експлоатация температурен обхват.** Неправилното зареждане или зареждането извън допустимия температурен обхват може да разруши акумулатора и да повиши опасността от възникване на пожар.

### Сервизиране

- ▶ **Ремонтът на електроинструмента трябва да се извършва само от квалифицирани специалисти и само с оригинални резервни части.** По този начин се гарантира безопасността на съхранението на уреда.
- ▶ **Никога не обслужвайте повредени акумулатори.** Цялостната поддръжка на акумулаторите следва да се извършва само от производителя или от оторизирани центрове за обслужване на клиенти.



## **2.2 Указания за безопасност при рязане с възвратно-постъпателно движение на режещия диск**

- ▶ **Дръжте електроинструмента за изолираните повърхности за хващане, ако извършвате дейности, при които сменяемият инструмент може да попадне на скрита токопроводимост.** Контактът с тоководещи проводници може да постави под напрежение металните части на уреда и да доведе до възникване на електрически удар.
- ▶ **Закрепете и обезопасете детайла върху стабилна основа с помощта на скоби или по друг начин.** Ако придържате детайла само с ръка или към тялото си, той остава нестабилен, което може да доведе до загуба на контрол.

## **2.3 Допълнителни указания за безопасност**

- ▶ Използвайте продукта и принадлежностите само в технически изправно състояние.
- ▶ Никога не извършвайте манипулации или промени по продукта или принадлежностите.
- ▶ Преди началото на работния процес проверете работната зона за скрити електрически проводници, газо- и водопроводи. Външните метални части на продукта могат да предизвикат електрически удар или експлозия, ако сте повредили електрически кабел, газо- или водопроводна тръба.
- ▶ Винаги оставайте вентилационните отвори свободни. Опасност от изгаряния поради покрити вентилационни отвори!
- ▶ При експлоатация на продукта носете защита за очите, антифони и защитни ръкавици.
- ▶ Използвайте защита за очите. Отломките от материала могат да наранят тялото и очите.
- ▶ При шлайфане, обработване с шкурка, рязане и пробиване се образува прах, който може да съдържа опасни химикали. Някои примери са: олово или боя, базирана на олово; тухли, бетон и други продукти за зидария, естествен камък и други силикатосъдържащи продукти; определени дървета, като дъб, бук и химически обработена дървесина; азбест или азбестосъдържащи материали. Определете експозицията на оператора и страничните наблюдатели според класа на опасност на материалите, върху които се работи. Вземете необходимите мерки, за да поддържате експозицията на безопасно ниво, като напр. използване на система за събиране на прах или носене на подходяща дихателна защита. Общите мерки за намаляване на експозицията включват:
  - ▶ Работете в добре проветриво помещение,
  - ▶ Избягвайте продължителен контакт с прах,
  - ▶ Почиствайте праха от лицето и тялото,
  - ▶ Носете защитно облекло и измивайте откритите места с вода и със сапун.
- ▶ Опасност от нараняване поради падащи инструменти и/или принадлежности. Преди началото на работния процес проверете дали акумулаторът и монтираните принадлежности са здраво закрепени.
- ▶ Включете продукта едва тогава, когато го приведете в работно положение.
- ▶ Винаги дръжте продукта здраво за предвидените за целта ръкохватки. Поддържайте ръкохватките сухи и чисти.
- ▶ Правете често работни паузи и упражнения за подобряване на кръвообращението в пръстите Ви. При продължителна работа вибрациите могат да предизвикат нарушения на кръвоносните съдове или нервната система в областта на пръстите, ръцете или китките.
- ▶ Не гледайте директно в осветлението (светодиод) и не осветявайте други хора в лицето. Съществува опасност от заслепяване!
- ▶ Преди да оставите продукта, изчакайте, докато престане да работи.
- ▶ При подмяна на сменяемия инструмент носете защитни ръкавици. Допирът до сменяемия инструмент може да доведе до порезни рани и изгаряния!

### **Специални указания за безопасност за пробивни триони**

- ▶ При рязане винаги движете продукта по посока на отдалечаване от тялото.
- ▶ Никога не дръжте ръцете си пред или върху режещия нож.
- ▶ Не режете в основи с неустановен състав и поддържайте отсечката за рязане горе и долу свободна от препятствия.
- ▶ При рязането не хващайте участъка, намиращ се под детайла.

## **2.4 Внимателно боравене и използване на акумулатори**

- ▶ **Съблюдавайте следните указания за безопасност за надеждно боравене и използване на литиево-йонни акумулатори.** Неспазването им може да предизвика дразнене на кожата, тежки корозивни увреждания, химични изгаряния, пожар и/или експлозии.



- ▶ Използвайте акумулаторите само в технически изправно състояние.
- ▶ Работете внимателно с акумулаторите, за да избегнете повреди и да предотвратите излизането на течности, които са много вредни за здравето!
- ▶ Акумулаторите не трябва по никакъв начин да бъдат променени или манипулирани!
- ▶ Акумулаторите не трябва да се разглобяват, смачкват, да се нагряват над 80 °C (176 °F) или да се изгарят.
- ▶ Не използвайте или не зареждайте акумулатори, които са били ударени или са повредени по друг начин. Проверявайте редовно Вашите акумулатори за признаци на повреда.
- ▶ Никога не използвайте рециклирани или ремонтирани акумулатори.
- ▶ Никога не използвайте акумулатора или акумулаторен електроинструмент като ударен механизъм.
- ▶ Никога не излагайте акумулаторите на пряка слънчева светлина, повишена температура, образуване на искри или открит пламък. Това може да доведе до експлозии.
- ▶ Не допирайте полюсите на батериите с пръсти, инструменти, украшения или други електропроводими предмети. Това може да повреди акумулатора, както и да причини материални щети и наранявания.
- ▶ Дръжте акумулаторите далече от дъжд, влага и течности. Проникналата влага може да причини къси съединения, електрически удари, изгаряния, пожар и експлозии.
- ▶ Използвайте само зарядни устройства и електроинструменти, предназначени за този тип акумулатори. За тази цел съблюдавайте данните в съответните Ръководства за експлоатация.
- ▶ Не използвайте или не съхранявайте акумулатора във взривоопасна среда.
- ▶ Ако акумулаторът е много горещ на допир, той може да има дефект. Поставете акумулатора на видимо, незапалимо място с достатъчно разстояние до запалими материали. Оставете акумулатора да се охлади. Ако след един час акумулаторът е все още твърде горещ на допир, той е неизправен. Обърнете се към сервиз на **Hilti** или прочетете документа "Указания за безопасност и прилагане на **Hilti** литиево-йонни акумулатори".

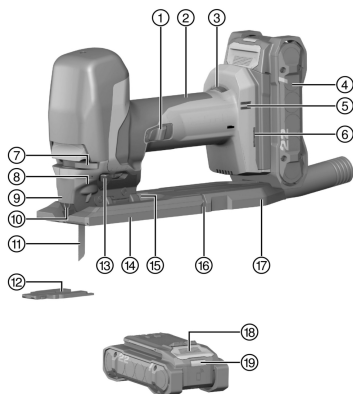


Спазвайте специалните директиви, приложими за транспортирането, съхранението и използването на литиево-йонни акумулатори. 140

Прочетете указанията за безопасност и прилагане на **Hilti** литиево-йонни акумулатори, които можете да намерите, като сканирате QR кода на края на настоящото Ръководство за експлоатация.

### 3 Описание

#### 3.1 Преглед на продукта



- ① Включвател/изключвател
- ② Ръкохватка
- ③ Регулатор на настройката на броя ходове
- ④ Акумулатор
- ⑤ Вентилационни отвори
- ⑥ Монтажен отвор за принадлежности
- ⑦ Лост за освобождаване на режещ нож
- ⑧ Патронник
- ⑨ Защитен капак
- ⑩ Защита срещу допир
- ⑪ Режещ нож
- ⑫ Защита срещу отчупване на стружки
- ⑬ Лост за регулация на махален ход
- ⑭ Основна плоча
- ⑮ Мащабиране за регулиране на ъгъла на рязане
- ⑯ Фиксиращи куки
- ⑰ Всмукателен адаптер
- ⑱ Бутон за деблокиране на акумулатора
- ⑲ Индикатор за статус на акумулатора



### 3.2 Употреба по предназначение

Описаният продукт представлява акумулаторен махален прободен трион с ръчно задвижване. Той е предназначен за рязане на материали от пластмаси, дърво и метали, както и на гипсови и влакнести плочи.

Продуктът е оборудван с демонтируем свързващ щуцер за опционална прахосмукачка, която е предвидена за стандартни смукателни маркучи. За да свържете смукателния маркуч към продукта, може да имате нужда от подходящ адаптер.

- За този продукт използвайте само **Hilti** Nuron литиево-йонни акумулатори от тип В 22. За оптимална работа **Hilti** препоръчва за този продукт посочените в таблицата акумулатори.в края на настоящото Ръководство за експлоатация.
- За тези акумулатори използвайте само зарядни устройства на **Hilti** от посочените в таблицата типове серии в края на настоящото Ръководство за експлоатация.
- За този продукт използвайте само режещи ножове с Т-опашка (опашка с една гърбица).

### 3.3 Възможни грешки при употреба

- Продуктът не трябва да се използва за рязане на клони и стволове на дървета.
- Продуктът не трябва да се използва за обработката на материали, застрашаващи здравето.
- Продуктът не трябва да се използва за работа във влажна среда.

### 3.4 Индикатор за литиево-йонния акумулатор

**Hilti** Nuron литиево-йонни акумулатори могат да показват състоянието на зареждане, известия за грешки и състоянието на акумулатора.

#### 3.4.1 Индикатори за състояние на зареждане и известия за грешки

#### ПРЕДУПРЕЖДЕНИЕ

**Опасност от нараняване поради падащ акумулатор!**

- ▶ При поставен акумулатор след натискане на бутона за деблокиране се уверете, че застопорявате отново правилно акумулатора в използвания продукт.

За да получите едно от следните показания, натиснете за кратко бутона за деблокиране на акумулатора. Състоянието на зареждане и възможните неизправности също се показват постоянно, докато свързаният продукт е включен.

Състояние	Значение
Четири (4) светодиода светят постоянно в зелено	Състояние на зареждане: 100 % до 71 %
Три (3) светодиода светят постоянно в зелено	Състояние на зареждане: 70 % до 51 %
Два (2) светодиода светят постоянно в зелено	Състояние на зареждане: 50 % до 26 %
Един (1) светодиод свети постоянно в зелено	Състояние на зареждане: 25 % до 10 %
Един (1) светодиод мига бавно в зелено	Състояние на зареждане: < 10 %
Един (1) светодиод мига бързо в зелено	Литиево-йонният акумулатор е напълно разреден. Заредете акумулатора. Ако след зареждането на акумулатора светодиодът все още мига бързо, обърнете се към сервис на <b>Hilti</b> .
Един (1) светодиод мига бързо в жълто	Литиево-йонният акумулатор или свързаният с него продукт е претоварен, твърде горещ, твърде студен или има някаква друга неизправност. Темперирайте продукта и акумулатора до препоръчителната работна температура и не претоварвайте продукта, когато го използвате. Ако съобщението продължава да стои, обърнете се към сервис на <b>Hilti</b> .
Един (1) светодиод свети в жълто	Литиево-йонният акумулатор и свързаният с него продукт не са съвместими. Моля, обърнете се към сервис на <b>Hilti</b> .



Състояние	Значение
Един (1) светодиода мига бързо в червено	Литиево-йонният акумулатор е блокирал и не може да се използва отново. Моля, обърнете се към сервиз на <b>Hilti</b> .

### 3.4.2 Индикатори за състоянието на акумулатора

За да проверите състоянието на акумулатора, задръжте натиснат деблокиращия бутон за повече от три секунди. Системата не разпознава потенциална неизправност на батерията поради злоупотреба, като напр. изпускане, пробиване, външни топлинни повреди и др.

Състояние	Значение
Всички светодиоди светят като бягаща светлина и след това един (1) светодиода свети постоянно в зелено.	Акумулаторът все още може да се използва.
Всички светодиоди светят като бягаща светлина и след това един (1) светодиода мига бързо в жълто.	Запитването за състоянието на акумулатора не може да бъде осъществено. Повторете процеса или се обърнете към сервиз на <b>Hilti</b> .
Всички светодиоди светят като бягаща светлина и след това един (1) светодиода свети постоянно в червено.	Ако свързаният продукт може все още да бъде използван, оставащият капацитет на акумулатора е по-малък от 50%. Ако свързаният продукт вече не може да бъде използван, акумулаторът е в края на своя експлоатационен живот и трябва да бъде сменен. Моля, обърнете се към сервиз на <b>Hilti</b> .

### 3.5 Приспособление за издухване на стружките

Приспособлението за издухване на стружките подава въздушен поток към режещия нож, така че по линията за рязане да не остават стружки.

### 3.6 Брой ходове

Броят ходове може да бъде настройван от регулатора. Позиция 1 отговаря на 800 хода в минута, а позиция 6 отговаря на 3000 хода в минута.

### 3.7 4-степенно махално движение

Чрез 4-степенното махално движение мощността на рязане и видът срезове могат да бъдат адаптирани към материала, който ще се обработва. С лоста за регулация на махален ход се извършва превключване между 4-те степени.

Колкото по-чист и по-фин трябва да се получи ръбът на среза, толкова по-малка трябва да е степента на махален ход. Оптималната настройка може да се установи на базата на практически опити.

Състояние	Значение
Степен 0	Няма махално движение
Степен 1	Слабо махално движение
Степен 2	Средно махално движение
Степен 3	Силно махално движение

### 3.8 Защита срещу отчупване на стружки

Продуктът може да бъде оборудван със защита срещу отчупване на стружки.

Посредством защитата срещу отчупване на стружки се намалява раздирането на повърхността при рязане на дървени плоскости.

### 3.9 Автоматично изключване на продукта

Когато включвателят/изключвателят бъде натиснат непрекъснато за повече от 15 минути (напр. при транспортиране или при съхранение), продуктът се изключва автоматично. По този начин се предотвратява изтощаването на акумулатора.



### 3.10 Обем на доставката

махален прободен трион, защитен капак, всмукателен адаптер, защита срещу отчупване на стружки, Ръководство за експлоатация, ключ за винтове с вътрешен шестостен.

Други системни продукти, разрешени за Вашия продукт, ще намерите във Вашия **Hilti Store** или онлайн на: [www.hilti.group](http://www.hilti.group)

## 4 Технически данни

### 4.1 Махален прободен трион

	SJT 6-22
Продуктово поколение	02
Номинално напрежение	21,6 В
Тегло съгласно EPTA Procedure 01 без акумулатор	2,1 кг
Височина на хода	28 мм
Брой ходове при празен ход ( $n_0$ )	800 об/мин ... 3 000 об/мин
Максимална мощност на рязане в дърво	150 мм
Максимална мощност на рязане в алуминий	25 мм
Максимална мощност на рязане в нелегирана стомана	10 мм
Ъгъл на рязане (ляво/дясно)	0° ... 45°
Външен диаметър на всмукателен адаптер	27,5 мм
Температура на съхранение	-20 °C ... 70 °C
Температура на околната среда при работа	-17 °C ... 60 °C

### 4.2 Информация за шума и стойности на вибрациите

Посочените в настоящите инструкции стойности на звуковото налягане и на вибрациите са били измерени в съответствие със стандартизиран метод на измерване и могат да бъдат използвани при сравняването на електроинструменти помежду им. Те са подходящи и за предварителна оценка на натоварването от трептения.

Посочените данни представят основните приложения на електроинструмента. Ако обаче електроинструментът се използва за други приложения, с различни сменяеми инструменти или при недостатъчна поддръжка, в данните може да се появят отклонения. Това може значително да повиши натоварването от трептения през целия период на експлоатация.

За точна преценка на натоварването от трептения трябва да се вземат предвид и периодите, в които електроинструментът е изключен или работи, но не е в реална експлоатация. Това може значително да намали натоварването от трептения през целия период на експлоатация.

Определете допълнителни мерки за безопасност с цел защита на потребителя срещу въздействието на звука и/или вибрациите, като например: поддръжка на електроинструмент и сменяеми инструменти, поддръжане на топли ръце, организация на работните процеси.



Подробна информация за версиите на стандартите **EN 62841**, които се прилагат тук, можете да намерите на изображението на декларация за съответствие 252.

### Стойности на шумовите емисии

	SJT 6-22
Ниво на звукова мощност ( $L_{WA}$ )	99 дБ(A)
Отклонение при ниво на звукова мощност ( $K_{WA}$ )	5 дБ(A)
Ниво на звуково налягане ( $L_{pA}$ )	91 дБ(A)
Отклонение при ниво на звуково налягане ( $K_{pA}$ )	5 дБ(A)

### Общи стойности на вибрациите

	SJT 6-22	
Емисионна стойност на вибрациите при рязане на пдч плоскости ( $a_{h,v}$ )	B 22-55	5,2 м/с <sup>2</sup>
	B 22-255	5,3 м/с <sup>2</sup>



		<b>SJT 6-22</b>
<b>Емисионна стойност на вибрациите при рязане на метални листове (<math>a_{h,m}</math>)</b>	<b>B 22-55</b>	8,5 м/с <sup>2</sup>
	<b>B 22-255</b>	7,2 м/с <sup>2</sup>
<b>Отклонение (K)</b>		1,5 м/с <sup>2</sup>

#### 4.3 Акумулатор

<b>Работно напрежение на акумулатора</b>	21,6 В
<b>Тегло на акумулатор</b>	Вижте края на настоящото Ръководство за експлоатация
<b>Температура на околната среда при работа</b>	-17 °C ... 60 °C
<b>Температура на съхранение</b>	-20 °C ... 40 °C
<b>Температура на акумулатора в началото на зареждането</b>	-10 °C ... 45 °C

## 5 Подготовка на работата

### ПРЕДУПРЕЖДЕНИЕ

**Опасност от нараняване поради неволно включване!**

- ▶ Преди поставянето на акумулатора се уверете, че съответният продукт е изключен.
- ▶ Отстранявайте акумулатора, преди да въвеждате настройки по уреда или да подмените принадлежности.

Съблюдавайте указанията за безопасност и предупреждение в настоящата документация и върху продукта.

#### 5.1 Зареждане на акумулатор

1. Преди зареждането прочетете Ръководството за експлоатация на зарядното устройство.
2. Уверете се, че контактите на акумулатора и на зарядното устройство са чисти и сухи.
3. Заредете акумулатора в одобрено зарядно устройство. 134

#### 5.2 Поставяне на акумулатор

### ПРЕДУПРЕЖДЕНИЕ

**Опасност от нараняване поради късо съединение или падащ акумулатор!**

- ▶ Преди поставянето на акумулатора се уверете, че контактите на акумулатора и контактите на продукта са почистени от замърсявания.
- ▶ Уверете се, че акумулаторът се застопорява винаги правилно.

1. Преди първото пускане в експлоатация зареждайте акумулатора докрай.
2. Плъзнете акумулатора в продукта, докато се застопори с ясно щракване.
3. Контролирайте стабилното положение на акумулатора.

#### 5.3 Отстраняване на акумулатор

1. Натиснете бутона за деблокиране на акумулатора.
2. Извадете акумулатора от продукта.

#### 5.4 Поставяне на режещ нож

1. Натискайте режещия нож (зъбците в посоката на рязане) в патронника, докато ножът се застопори.
2. Проверете дали режещият нож е надеждно заключен, като го дръпнете.



## 5.5 Поставяне на защитен капак 3

- ▶ Плъзнете защитния капак върху продукта отпред, докато капакът се застопори.



Защитният капак може да се постави само ако основната плоча е в нормално положение (ъгъл на рязане 0°). 139

## 5.6 Монтаж на всмукателен адаптер 4

1. Плъзнете всмукателния адаптер отзад хоризонтално в основната плоча, докато двете фиксиращи куки се застопорят странично.
2. Свържете маркуचा на прахосмукачката към всмукателния адаптер.

## 5.7 Монтаж на защита срещу отчупване на стружки 5

- ▶ Натиснете защитата срещу отчупване на стружки отдолу в основната плоча.



Защитата срещу отчупване на стружки може да се използва само за предвидените за целта режещи ножове.

Защитата срещу отчупване на стружки може да се използва само ако основната плоча е в нормално положение (ъгъл на рязане 0°). 139

## 5.8 Защита срещу падане



### ПРЕДУПРЕЖДЕНИЕ

**Опасност от нараняване** поради падащ инструмент и/или принадлежност!

- ▶ Използвайте само разрешеното за Вашия продукт препоръчано **Hilti** задържащо въже за инструменти.
- ▶ Преди всяка употреба проверявайте точката на закрепване на задържащото въже за инструменти за възможни повреди.
- ▶ Не закрепвайте задържащото въже за инструменти към куката за колан. Не използвайте кука за колан, за да повдигнете продукта.



Спазвайте националните разпоредби за работа на височина.

За този продукт използвайте като защита срещу падане само комбинацията от **Hilti** защита срещу падане от височина с **Hilti** задържащото въже за инструменти #2261970.

- ▶ Закрепете защитата срещу падане от височина в монтажните отвори за принадлежности. Проверете за надеждното закрепване.
- ▶ Закрепете кука с пружинка на задържащото въже за инструменти към защитата срещу падане от височина, а втората кука с пружинка закрепете към носеща конструкция. Проверете за надеждното закрепване на двете куки с пружинка.



Съблюдавайте Ръководствата за експлоатация на **Hilti** защитата срещу падане от височина и на **Hilti** задържащото въже за инструменти.

## 6 Експлоатация

Съблюдавайте указанията за безопасност и предупреждение в настоящата документация и върху продукта.

### 6.1 Използване на прахоуловител



Прахоуловителят намалява праховото натрупване, повишава безопасността на труда поради по-добра видимост върху разреза и предотвратява по-голямо натрупване на прах и стружки на работното място.


1. Поставете защитния капак. 138





2. Винаги използвайте прахоуловител, ако продължително време обработвате дърво или материали, при които може да се отделя значително количество прах.

## 6.2 Настройка на ъгъл на рязане

1. Демонтирайте всмукателния адаптер.  139
2. Развийте винта на основната плоча.
3. Задайте желанния ъгъл на рязане (от 0° до 45° в двете посоки).
  - ▶ При ъгъл на рязане 0° основната плоча са намира в положение заключване на въртене. За да можете да зададете ъгъл на рязане, най-напред трябва да издърпате основната плоча назад.
  - ▶ Ако върнете основната плоча обратно на ъгъла на рязане 0°, след това плъзнете отново основната плоча напред, за да я застопорите в положение заключване на въртене.
4. Завийте винта отново.
  - ▶ Основната плоча е затегната здраво.

## 6.3 Включване



Чрез функцията за безопасност се гарантира, че продуктът не се стартира, ако първо се включи продуктът и едва след това се постави акумулаторът.

Плъзнете включвателя/изключвателя назад и след това отново напред.

- ▶ Плъзнете включвателя/изключвателя напред.

## 6.4 Рязане чрез потапяне

1. Поставете лоста за регулиране на махалното движение в положение 0.
2. Поставете продукта с предния ръб на основната плоча върху детайла за рязане.
3. Дръжте продукта здраво и натиснете включвателя/изключвателя.
4. Притиснете продукта силно към детайла и го потапайте с постепенно намаляване на ъгъла на накланяне.
5. Ако сте пробии детайла за рязане, върнете продукта в нормалното работно положение.
  - ▶ Основната плоча е прилепнала плътно към повърхността.
6. Продължете рязането по дължината на линията за рязане.

## 6.5 Изключване

- ▶ Плъзнете включвателя/изключвателя назад.

## 7 Демонтаж

### 7.1 Демонтаж на всмукателен адаптер

1. Натиснете двете фиксиращи куки навътре.
2. Издърпайте всмукателния адаптер от основната плоча в посока назад.
3. Издърпайте маркуца на прахосмукачката от всмукателния адаптер.

### 7.2 Сваляне на защитен капак

- ▶ Наклонете леко защитния капак и го издърпайте напред.

### 7.3 Изваждане на режещ нож



#### ПРЕДУПРЕЖДЕНИЕ

**Опасност от нараняване.** Неконтролируемото изхвърляне на режещия нож може да причини наранявания.

- ▶ При изхвърлянето на режещия нож дръжте продукта по такъв начин, че поради изхвърлянето на режещия нож да не бъдат наранени хора или животни.
- ▶ Завъртете лоста за освобождаване на режещия нож настрани до крайна позиция.
  - ▶ Режещият нож се освобождава и се изважда.



**ПРЕДУПРЕЖДЕНИЕ**

**Опасност от нараняване при поставен акумулатор !**

- ▶ Винаги изваждайте акумулатора преди всяка дейност по обслужване и поддръжка!

**Грижи за продукта**

- Отстранявайте внимателно упоритите замърсявания.
- Ако има вентилационни отвори, почиствайте същите внимателно със суха, мека четка.
- Почиствайте корпуса само с леко навлажнена кърпа. Не използвайте почистващи препарати, съдържащи силикон, тъй като те могат да увредят пластмасовите части.
- Използвайте чиста, суха кърпа за почистване, за да избършете контактите на продукта.

**Грижи за литиево-йонни акумулатори**

- Никога не използвайте акумулатор със запушени вентилационни отвори. Почиствайте вентилационните отвори внимателно със суха, мека четка.
- Избягвайте ненужното излагане на акумулатора на прах или замърсявания. Никога не излагайте акумулатора на висока влажност (напр. потопен във вода или оставен под дъжда).  
Ако акумулаторът е бил напоен с вода, третирайте го като повреден акумулатор. Изолирайте го в незапалим контейнер и се обърнете към сервиз на **Hilti**.
- Поддържайте акумулатора почистен от масла и смазки. Не позволявайте по акумулатора да се натрупват ненужно прах или замърсявания. Избърсвайте акумулатора със суха, мека четка или с чиста, суха кърпа за почистване. Не използвайте почистващи препарати, съдържащи силикон, тъй като те могат да увредят пластмасовите части.  
Не се допирайте до контактите на акумулатора и не отстранявайте фабрично нанесената грес от контактите.
- Почиствайте корпуса само с леко навлажнена кърпа. Не използвайте почистващи препарати, съдържащи силикон, тъй като те могат да увредят пластмасовите части.



**Поддръжка**

- Проверявайте редовно всички видими части за наличие на повреди, а елементите за управление - за изправно функциониране.
- Не работете с продукта при наличие на повреди и/или смущения във функциите. Предайте продукта незабавно в сервиз на **Hilti** за ремонт.
- След извършване на дейности по обслужване и поддръжка монтирайте всички защитни устройства и проверете за изправното им функциониране.



За безопасна работа използвайте само оригинални резервни части и консумативи. Разрешените от **Hilti** резервни части, консумативи и принадлежности за Вашия продукт ще намерите във Вашия **Hilti Store** или на: [www.hilti.group](http://www.hilti.group)

**8.1 Почистване на всмукателен адаптер**

1. Демонтирайте всмукателния адаптер.  139
2. Почистете всмукателния адаптер.
3. Проверете дали фиксиращите куки не са повредени.
4. Монтирайте всмукателния адаптер.  138

**8.2 Почистване на режещи ножове**

1. Обезмаслявайте редовно използваните режещи ножове.
2. Поставете режещите ножове за 24 часа в керосин или стандартни средства за обезмасляване.

**9 Транспортиране и съхранение на акумулаторни инструменти и акумулатори****Транспорт****ПРЕДПАЗЛИВОСТ**

**Неволно включване при транспортиране !**

- ▶ Винаги транспортирайте Вашите продукти без поставени акумулатори!
- ▶ Извадете акумулатора/ите.



- ▶ Никога не транспортирайте акумулаторите в насипно състояние. При транспортиране акумулаторите трябва да бъдат защитени от прекомерни удари и вибрации и изолирани от всякакви проводящи материали или други акумулатори, за да не се осъществи контакт с други полюси на батерии и да се избегне късо съединение. **Спазвайте местните транспортни наредби за акумулатори.**
- ▶ Акумулаторите не трябва да се изпращат по пощата. Свържете се със спедиторска фирма, ако искате да изпращате повредени акумулатори.
- ▶ Преди всяка употреба проверявайте продукта и акумулаторите за наличие на повреди, също преди и след продължително транспортиране.

### Съхранение



#### ПРЕДУПРЕЖДЕНИЕ

#### Неволна повреда, дължаща се на дефектни или изтичащи акумулатори !

- ▶ Винаги съхранявайте Вашите продукти без поставени акумулатори!
- ▶ Съхранявайте продукта и акумулаторите на хладно и сухо място. Съблюдавайте температурните гранични стойности, посочени в техническата спецификация.
- ▶ Не съхранявайте акумулатори в зарядното устройство. След зареждане винаги изваждайте акумулатора от зарядното устройство.
- ▶ Никога не съхранявайте акумулатори на слънце, върху източници на топлина или зад стъкло.
- ▶ Съхранявайте продукта и акумулаторите извън досега на деца и неотORIZИРАНИ лица.
- ▶ Преди всяка употреба проверявайте продукта и акумулаторите за наличие на повреди, също преди и след продължително съхранение.

## 10 Помощ при наличие на смущения

При всички неизправности съблюдавайте индикатора за състоянието на зареждане и грешки на акумулатора. Виж Раздел **Индикатори на литиево-йонния акумулатор**.

При наличие на смущения, които не са посочени в таблицата или които Вие сами не можете да отстраните, моля, обърнете се към нашия сервиз на **Hilti**.

Смущение	Възможна причина	Решение
Режещият нож изпада.	Режещият нож не е застопорен правилно.	<ul style="list-style-type: none"> <li>▶ Повторете процеса на затягане.</li> <li>▶ Уверете се, че патронникът е напълно отворен и че режещият нож е притиснат докрай срещу съпротивлението.</li> </ul>
	Системата за затягане е замърсена.	▶ Почистете патронника.
Режещият нож не може да се постави.	Системата за затягане е замърсена.	▶ Почистете патронника.
Ходът на махалото не може да се регулира.	Жлебът на лоста на махалото е замърсен.	▶ Почистете жлеба на лоста на махалото от замърсявания.
Ходът на махалото не функционира.	Механизмът на махалото е замърсен.	▶ Проверете дали в областта на вилката на махалото има замърсяване и го отстранете.
	Лостът на броя ходове е в положение "0".	▶ Задайте желаната стойност.
Акумулаторът се разрежда по-бързо от обикновено.	Много ниска околна температура.	▶ Оставете акумулатора да загрее бавно до стайна температура.
Акумулаторът не се застопорява с ясно щракване.	Фиксиращата планка на акумулатора е замърсена.	▶ Почистете фиксиращата планка и поставете акумулатора отново.
Силно загряване на продукта или на акумулатора.	Електрическа повреда	▶ Изключете продукта незабавно, извадете акумулатора, наблюдавайте го, оставете го да се охлади и се свържете със сервиз на <b>Hilti</b> .



Смущение	Възможна причина	Решение
Светодиодите на акумулатора не дават индикация	Неизправен акумулатор	► Обърнете се към сервиз на Hilti.

## 11 Третиране на отпадъци



### ПРЕДУПРЕЖДЕНИЕ

**Риск от нараняване поради неправилно третиране на отпадъците!** Опасности за здравето поради изпускане на газове и течности.

- Не доставяйте или не изпращайте повредени акумулатори!
- Покривайте връзките с непроводим материал, за да предотвратите къси съединения.
- Изхвърляйте акумулаторите по такъв начин, че да не могат да попаднат в ръцете на деца.
- Изхвърляйте акумулатора във Вашия **Hilti Store** или се свържете с местната компания за управление на отпадъците.



**Hilti** продуктите са произведени в по-голямата си част от материали за многократна употреба. Предпоставка за многократното им използване е тяхното правилно разделяне. В много страни **Hilti** взема Вашите употребявани уреди обратно за рециклиране. Попитайте отдела на **Hilti** за обслужване на клиенти или Вашия търговски консултант.



- Не изхвърляйте електроинструменти, електронни устройства и акумулатори в битовите отпадъци!

## 12 Гаранция на производителя

- При въпроси относно гаранционните условия, моля, обърнете се към Вашия местен **Hilti** партньор.

## 13 Повече информация

Допълнителна информация за експлоатацията, технологията, околната среда и рециклирането ще намерите на следния линк: [qr.hilti.com/manual/?id=2264217&id=2264218](http://qr.hilti.com/manual/?id=2264217&id=2264218)

Този линк ще намерите също и в края на документацията като QR код.



## Manual de utilizare original

### 1 Date referitoare la manual de utilizare

#### 1.1 Referitor la acest manual de utilizare

- **Atenționare!** Înainte de a utiliza produsul, asigurați-vă că ați citit și ați înțeles manualul de utilizare care însoțește produsul, inclusiv instrucțiunile, indicațiile de siguranță și de avertizare, imaginile și specificațiile. Familiarizați-vă, în special, cu toate instrucțiunile, indicațiile de siguranță și de avertizare, imaginile, specificațiile, componentele și funcțiile. În caz de nerespectare a acestora, există pericol de electrocutare, incendiu și/sau vătămări grave. Păstrați manualul de utilizare, inclusiv toate instrucțiunile, indicațiile de siguranță și avertizare, pentru utilizare ulterioară.
- Produsele **HILTI** sunt destinate utilizatorilor profesioniști, iar operarea cu acestea, întreținerea și repararea lor sunt activități permise numai personalului autorizat și instruit. Acest personal trebuie să fie instruit în mod special cu privire la potențialele pericole. Produsul și mijloacele sale auxiliare pot genera pericole dacă sunt utilizate necorespunzător sau folosite inadecvat destinației de către personal neinstruit.



- Manualul de utilizare anexat corespunde stadiului tehnologic actual la momentul tipării. Găsiți întotdeauna cea mai recentă versiune online pe pagina de produs Hilti. În acest scop, urmați linkul sau codul QR din acest manual de utilizare, marcat cu simbolul
- Transmiteți produsul către alte persoane numai cu acest manual de utilizare.

## 1.2 Explicitarea simbolurilor

### 1.2.1 Indicații de avertizare

Indicațiile de avertizare avertizează împotriva pericolelor care apar în lucrul cu produsul. Sunt utilizate următoarele cuvinte-semnal:

#### PERICOL

##### PERICOL !

- ▶ Pentru un pericol iminent și direct, care duce la vătămări corporale sau la accidente mortale.

#### ATENȚIONARE

##### ATENȚIONARE !

- ▶ Pentru un pericol iminent și posibil, care poate duce la vătămări corporale sau la accidente mortale.

#### AVERTISMENT

##### AVERTISMENT !

- ▶ Pentru o situație potențial periculoasă, care poate duce la vătămări corporale sau pagube materiale.

### 1.2.2 Simboluri în manualul de utilizare

În acest manual de utilizare sunt utilizate următoarele simboluri:

	Respectați manualul de utilizare
	Indicații de folosire și alte informații utile
	Lucrul cu materiale reutilizabile
	Nu aruncați aparatele electrice și acumulatorii în containerele de gunoi menajer
	<b>Hilti</b> Acumulator Li-Ion
	<b>Hilti</b> Redresor

### 1.2.3 Simboluri în imagini

Următoarele simboluri sunt utilizate în imagini:

	Acest numere fac trimitere la figura respectivă de la începutul acestui manual de utilizare.
3	Numerotarea reflectă ordinea etapelor de lucru în imagine și poate să difere de etapele de lucru din text.
	Numererele pozițiilor sunt utilizate în figura <b>Vedere generală</b> și fac trimitere la numerele din legendă în paragraful <b>Vedere generală a produsului</b> .
	Acest semn are rolul de a stimula atenția dumneavoastră în lucrul cu produsul.

## 1.3 Simboluri în funcție de produs

### 1.3.1 Simboluri suplimentare

În această documentație sau pe produs pot fi utilizate suplimentar următoarele simboluri:

$n_0$	Numărul de curse la mersul în gol
	Curent continuu



Li-Ion	Acumulator Li-Ion
	Produsul este compatibil cu tehnologia NFC, care este compatibilă la rândul ei cu platformele iOS și Android.
	Nu folosiți niciodată acumulatorul ca unealtă percutoare.
	Nu lăsați acumulatorul să cadă. Nu utilizați niciun acumulator care a suferit o lovitură sau este deteriorat într-un alt mod.

## 2 Securitate

### 2.1 Instrucțiuni de ordin general privind securitatea și protecția muncii pentru sculele electrice

**⚠ ATENȚIONARE** Consultați toate instrucțiunile de protecție a muncii, instrucțiunile de lucru, imaginile și datele tehnice cu care este prevăzută această sculă electrică. Neglijențele în respectarea următoarelor instrucțiuni pot provoca electrocutări, incendii și/ sau accidentări grave.

**Păstrați toate instrucțiunile de protecție a muncii și instrucțiunile de lucru pentru consultare în viitor.**

Termenul de „sculă electrică” folosit în instrucțiunile de protecție a muncii se referă la sculele cu alimentare de la rețea (cu cablu de rețea) la sculele electrice cu alimentare de la acumulatori (fără cablu de rețea).

#### Securitatea în locul de muncă

- ▶ **Mențineți curățenia și un iluminat bun în zona de lucru.** Dezordinea sau iluminatul insuficient în zona de lucru pot constitui surse de accidente.
- ▶ **Nu lucrați cu scula electrică în medii cu pericol de explozie, în care sunt prezente lichide, gaze sau pulberi inflamabile.** Sculele electrice generează scântei care pot aprinde pulberile sau vaporii.
- ▶ **Nu permiteți accesul copiilor și al altor persoane în zona de lucru pe parcursul utilizării sculei electrice.** În cazul distragerii atenției, puteți pierde controlul asupra aparatului.

#### Securitatea electrică

- ▶ **Fișa de racord a sculei electrice trebuie să se potrivească cu prizele de alimentare. Orice gen de modificare a fișei este interzis. Nu folosiți niciun tip de fișe adaptatoare împreună cu scule electrice cu pământare de protecție.** Fișele nemodificate și prizele adecvate diminuează riscul de electrocutare.
- ▶ **Evitați contactul corpului cu suprafețele legate la pământ, cum ar fi țevile, sistemele de încălzire, pitele și frigiderele.** Există un risc major de electrocutare atunci când corpul se află în contact cu obiecte legate la pământ.
- ▶ **Feriți sculele electrice de influența ploii și umidității.** Pătrunderea apei în scula electrică crește riscul de electrocutare.
- ▶ **Nu utilizați cablul de legătură în scopuri pentru care nu este destinat, de exemplu pentru a transporta scula electrică, a suspenda scula electrică sau pentru a trage fișa din priza de alimentare. Feriți cablul de legătură de influențele căldurii, uleiului, muchiilor ascuțite sau componentelor aflate în mișcare.** Cablurile de legătură deteriorate sau înfășurate majorează riscul de electrocutare.
- ▶ **Dacă lucrați cu o sculă electrică în aer liber, utilizați numai cabluri prelungitoare care sunt adecvate și pentru folosirea în exterior.** Folosirea cablurilor prelungitoare adecvate lucrului în aer liber diminuează riscul de electrocutare.
- ▶ **Dacă punerea în exploatare a sculei electrice într-un mediu cu umiditate nu se poate evita, utilizați un întrerupător automat de protecție diferențial.** Utilizarea unui întrerupător automat de protecție diferențial diminuează riscul de electrocutare.

#### Securitatea persoanelor

- ▶ **Procedați cu atenție, concentrați-vă la ceea ce faceți și lucrați în mod rațional atunci când manevrați o sculă electrică. Nu folosiți nicio sculă electrică dacă sunteți obosit sau dacă vă aflați sub influența drogurilor, alcoolului sau medicamentelor.** Un moment de neatenție în folosirea sculei electrice poate duce la accidentări serioase.
- ▶ **Purtați echipament personal de protecție și, întotdeauna, ochelari de protecție.** Folosirea echipamentelor personale de protecție, ca de ex. masca anti-praf, încălțăminte antiderapantă, casca de protecție sau căștile antifonice, în funcție de tipul sculei electrice și de natura aplicației de lucru, duce la diminuarea riscului de accidentare.
- ▶ **Împiedicați pornirea involuntară a aparatului. Asigurați-vă că scula electrică este deconectată, înainte de a o racorda la alimentarea electrică și/ sau la acumulator, de a o lua din locul de lucru**



sau de a o transporta. Situațiile în care transportați scula electrică ținând degetul pe întrerupător sau racordați aparatul în stare pornită la alimentarea electrică pot duce la accidente.

- ▶ **Înainte de a porni scula electrică, îndepărtați uneltele de reglaj sau cheile fixe.** Un accesoriu de lucru sau o cheie fixă, aflate într-o componentă rotativă a aparatului, pot provoca vătămări corporale.
- ▶ **Evitați o poziție anormală a corpului. Asigurați-vă o poziție stabilă și păstrați-vă întotdeauna echilibrul.** În acest fel, veți putea controla mai bine scula electrică în situații neașteptate.
- ▶ **Purtați îmbrăcăminte de lucru adecvată. Nu purtați haine largi sau bijuterii. Țineți părul, îmbrăcăminte și mânușile departe de componentele aflate în mișcare.** Îmbrăcăminte largă, bijuteriile sau părul lung pot fi prinse de piesele aflate în mișcare.
- ▶ **Dacă există posibilitatea montării unor accesorii de aspirare și captare a prafului, asigurați-vă că acestea sunt racordate și folosite corect.** Utilizarea unui sistem de aspirare a prafului poate diminua pericolul provocat de praf.
- ▶ **Nu vă bazați pe măsuri de securitate greșite și nu vă dispensați de reglementările de securitate pentru sculele electrice, chiar dacă sunteți familiarizat cu scula electrică după multiple folosiri ale acesteia.** Lucrul neatent poate duce în fracțiuni de secundă la accidentări grave.

#### Utilizarea și manevrarea sculei electrice

- ▶ **Nu suprasolicitați aparatul. Folosiți scula electrică special destinată lucrării dumneavoastră.** Cu scula electrică adecvată, lucrați mai bine și mai sigur în domeniul de putere specificat.
- ▶ **Nu folosiți nicio sculă electrică având întrerupătorul defect.** O sculă electrică ce nu mai permite pornirea sau oprirea sa este periculoasă și trebuie reparată.
- ▶ **Scoateți fișa din priză și/ sau înlăturați acumulatorul dacă este detașabil, înainte de executarea unor reglaje la aparat, înlocuirea accesoriilor sau depozitarea aparatului.** Această măsură de precauție reduce riscul unei porniri involuntare a sculei electrice.
- ▶ **Păstrați sculele electrice în locuri inaccesibile copiilor, atunci când nu le utilizați. Nu permiteți folosirea aparatului de către persoane care nu sunt familiarizate cu acesta sau care nu au citit instrucțiunile de față.** Sculele electrice sunt periculoase atunci când sunt folosite de persoane fără experiență.
- ▶ **Îngrijiți sculele electrice și accesoriile cu multă atenție. Controlați funcționarea impecabilă a componentelor mobile și verificați dacă acestea nu se blochează, dacă există piese sparte sau care prezintă deteriorări de natură să influențeze negativ funcționarea sculei electrice. Dispuneți repararea pieselor deteriorate înainte de punerea în exploatare a aparatului.** Multe accidente se produc din cauza înțrâșinerii defectuoase a sculelor electrice.
- ▶ **Păstrați accesoriile așchietoare bine ascuțite și curate.** Accesoriile așchietoare întreținute atent, cu muchii așchietoare bine ascuțite se blochează mai greu și pot fi conduse mai ușor.
- ▶ **Utilizați scula electrică, accesoriile, dispozitivele de lucru etc. corespunzător acestor instrucțiuni. Țineți seama de condițiile de lucru și de activitatea care urmează a fi desfășurată.** Folosirea unor scule electrice destinate altor aplicații de lucru decât cele prevăzute poate conduce la situații periculoase.
- ▶ **Mențineți mânerul și suprafețele mânerelor în stare uscată, curată, fără ulei și unsoare.** Mânerul și suprafețele mânerelor nu permit utilizarea și controlul sculei electrice în siguranță în situații neprevăzute, dacă sunt alunecoase.

#### Utilizarea și manevrarea sculei cu acumulatori

- ▶ **Încărcați acumulatorii numai în redsoarele recomandate de producător.** Pentru un redresor adecvat unui anumit tip de acumulatori, apare pericolul de incendiu dacă acesta este utilizat cu alți acumulatori.
- ▶ **Utilizați numai acumulatorii prevăzuți special pentru sculele electrice.** Folosirea altor acumulatori poate duce la accidentări și poate provoca pericol de incendiu.
- ▶ **Țineți acumulatorii nefolosiți la distanță de agrafele de birou, monede, chei, cuie, șuruburi sau alte obiecte metalice mici, care ar putea provoca scurtcircuitarea contactelor.** Un scurtcircuit între contactele acumulatorului poate avea ca urmări arsuri sau incendii.
- ▶ **La folosirea în mod eronat, este posibilă eliminarea de lichid din acumulatori. Evitați contactul cu acesta. În cazul contactului accidental, spălați cu apă. Dacă lichidul ajunge în ochi, solicitați suplimentar asistență medicală.** Lichidul ieșit din acumulatori poate provoca iritații ale pielii sau arsuri.
- ▶ **Nu folosiți acumulatorii deteriorați sau modificați.** Acumulatorii deteriorați sau modificați se pot comporta imprevizibil și pot provoca incendii, explozii sau pericol de accidentări.
- ▶ **Nu expuneți un acumulator la foc sau la temperaturi prea ridicate.** Focul sau temperaturile de peste 130 °C (265 °F) pot provoca o explozie.
- ▶ **Urmați toate instrucțiunile de încărcare și nu încărcați niciodată acumulatorul sau încălta cu acumulator la valori situate în afara domeniului de temperatură indicat în instrucțiunile de**



**exploatare.** Încărcarea greșită sau încărcarea la valori în afara domeniului avizat de temperatură poate distruge acumulatorul și crește pericolul de incendiu.

### Service

- ▶ **Încredințați repararea sculei electrice a dumneavoastră numai personalului calificat de specialitate și numai în condițiile folosirii pieselor de schimb originale.** În acest fel, este garantată menținerea siguranței de exploatare a aparatului.
- ▶ **Nu executați niciodată lucrări de întreținere la un acumulator deteriorat.** Toate lucrările de întreținere la acumulatori se vor executa numai de către producător sau de centrele de asistență pentru clienți, împuternicite de producător.

## 2.2 Instrucțiuni de protecție a muncii pentru tăierea cu un ferăstrău cu pânză care execută mișcare oscilatorie

- ▶ **Țineți scula electrică de suprafețele izolate ale mânerelor, când executați lucrări în care dispozitivul de lucru poate întâlni conductori electrici ascunși.** Contactul cu un conductor parcurs de curent poate pune sub tensiune și piesele metalice ale mașinii și poate duce la electrocutări.
- ▶ **Fixați și asigurați accesoriul de lucru cu menghine sau într-un alt mod pe o suprafață-suport stabilă.** Dacă țineți piesa care se prelucrează numai cu mâna sau presată pe corpul dumneavoastră, ea rămâne într-o poziție labilă, ceea ce poate duce la pierderea controlului.

## 2.3 Instrucțiuni suplimentare de protecție a muncii

- ▶ Utilizați produsul și accesoriile numai în stare tehnică impecabilă.
- ▶ Nu efectuați niciodată intervenții neautorizate sau modificări asupra produsului sau accesoriilor.
- ▶ Verificați înainte de începerea lucrului dacă în zona de lucru există conductori electrici, conducte de gaz și țevi de apă acoperite. Piesele metalice aflate în contact exterior cu produsul pot cauza o electrocutare sau o explozie, dacă deteriorați un conductor electric, o conductă de gaz sau o țevă de apă.
- ▶ Mențineți întotdeauna libere fantele de aerisire. Pericol de arsuri dacă fantele de aerisire sunt acoperite!
- ▶ Pe parcursul utilizării produsului, purtați apăraătoare pentru ochi, căști antifonice și mănuși de protecție.
- ▶ Utilizați o apăraătoare pentru ochi. Materialul sub formă de așchii poate produce vătămări ale corpului și ochilor.
- ▶ Praful format în lucrările de șlefuire, șmirgheluire, tăiere și găurire poate conține substanțe chimice periculoase. Câteva exemple sunt: Plumb sau vopsele pe bază de plumb; Căramidă, beton și alte produse de zidărie, piatră naturală și alte produse care conțin siliciu; Anumite tipuri de lemn, cum sunt stejarul, fagul și lemnul tratat chimic; Azbest sau materiale care conțin azbest. Determinați expunerea operatorului și persoanelor din preajmă prin clasa de pericolozitate a materialelor la care se lucrează. Întreprindeți măsurile necesare pentru a menține valorile de expunere la un nivel sigur, ca de ex. utilizarea unui sistem de colectare a prafului sau purtarea unei măști de protecție respiratorie adecvate. Din măsurile generale pentru diminuarea expunerii fac parte:
  - ▶ Lucrul într-un spațiu bine aerisit,
  - ▶ Evitarea contactului îndelungat cu praful,
  - ▶ Devierea prafului din zona feței și corpului,
  - ▶ Purtarea îmbrăcămînții de protecție și spălarea zonelor expuse cu apă și săpun.
- ▶ Pericol de accidentare în caz de cădere a accesoriilor de lucru și/ sau sculelor. Înainte de începerea lucrului, controlați ca acumulatorul și accesoriul montat să fie fixate în siguranță.
- ▶ Conectați produsul numai când l-ați adus în poziția de lucru.
- ▶ Țineți întotdeauna ferm produsul de mânerele special prevăzute. Țineți mânerele uscate și curate.
- ▶ Faceți frecvent pauze și exerciții pentru îmbunătățirea circulației sanguine în degetele dumneavoastră. În cazul lucrărilor lungi, din cauza vibrațiilor intense sunt posibile tulburări la nivelul vaselor sanguine sau al sistemului nervos în degete, mâini sau articulațiile mâinilor.
- ▶ Nu priviți direct în elementul de iluminat (LED) și nu iluminați în față alte persoane. Apare pericol de orbire!
- ▶ Așteptați până când produsul a ajuns în stare de repaus, înainte de a-l depune.
- ▶ Purtați mănuși de protecție la schimbarea dispozitivului de lucru. Atingerea dispozitivului de lucru poate duce la vătămări prin tăiere și arsuri!

### Instrucțiunile speciale de protecție a muncii pentru ferăstraiele pendulare verticale

- ▶ În cursul lucrărilor de tăiere cu ferăstrăul, conduceți întotdeauna produsul în sensul distanțării de corp.
- ▶ Nu țineți niciodată mâinile în fața pânzei de ferăstrău sau pe aceasta.
- ▶ Nu tăiați cu ferăstrăul materiale de bază necunoscute și mențineți calea de tăiere în partea de sus și în cea de jos liberă de obstacole.






- ▶ Pe parcursul tăierii cu ferăstrăul, nu atingeți zona de sub piesă.

## 2.4 Manevrarea și folosirea cu precauție a acumulatorilor

- ▶ **Aveți în vedere următoarele instrucțiuni de protecție a muncii pentru manevrarea și utilizarea fără riscuri a acumulatorilor Li-Ion.** Nerespectarea acestora poate duce la iritații ale pielii, vătămări grave produse prin coroziune, arsuri chimice, incendii și/ sau explozii.
- ▶ Utilizați acumulatorii numai în stare tehnică impecabilă.
- ▶ Manevrați acumulatorii cu atenție, pentru a evita deteriorările și scăpările de lichide foarte dăunătoare sănătății!
- ▶ Modificarea sau manipularea acumulatorilor nu este permisă în niciun caz!
- ▶ Nu este permisă dezmembrarea, strivirea, încălzirea la peste 80°C (176°F) sau arderea acumulatorilor.
- ▶ Nu utilizați sau încărcăți niciun acumulator care a suferit o lovitură sau care a fost deteriorat în alt mod. Verificați regulat dacă acumulatorii dumneavoastră prezintă semnalmmente de deteriorări.
- ▶ Nu utilizați niciodată acumulatorii reciclați sau reparați.
- ▶ Nu folosiți niciodată acumulatorul sau o sculă electrică alimentată de la acumulatorii pe post de unealtă percutoare.
- ▶ Nu expuneți niciodată acumulatorii direct la soare, unei temperaturi ridicate, formării de scântei sau flăcărilor deschise. Acest lucru poate duce la explozii.
- ▶ Nu atingeți polii bateriei cu degetele, cu accesorii de lucru, bijuterii sau alte obiecte care prezintă conductibilitate electrică. Acest lucru poate deteriora acumulatorul și poate cauza prejudicii materiale și vătămări.
- ▶ Feriți acumulatorii de ploaie, umezeală și lichide. Pătrunderea de umiditate poate cauza scurtcircuite, electrocutări, arsuri, incendiu și explozii.
- ▶ Utilizați numai redresoarele și sculele electrice prevăzute pentru acest tip de acumulator. Aveți în vedere în acest scop datele din manualele de utilizare corespunzătoare.
- ▶ Nu utilizați sau depozitați acumulatorul în medii cu pericol de explozie.
- ▶ Dacă acumulatorul se înfierbântă prea puternic pentru a putea fi ținut în mână, este posibil ca el să fie defect. Așezați acumulatorul într-un loc vizibil, fără pericol de incendiu, la o distanță suficientă față de materialele inflamabile. Lăsați acumulatorul să se răcească. Dacă acumulatorul este încă prea fierbinte pentru a putea fi ținut în mână după o oră, atunci el este defect. Adresați-vă centrului de service **Hilti** sau citiți documentul "Indicații referitoare la securitate și utilizare pentru acumulatorii Li-Ion marca **Hilti**".



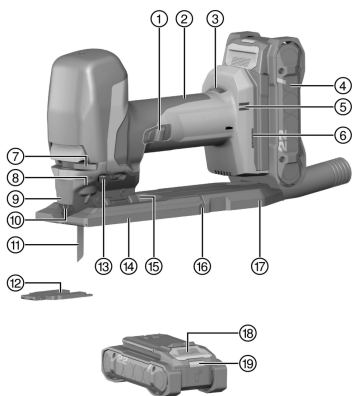
Aveți în vedere directivele speciale, valabile pentru transportul, depozitarea și utilizarea acumulatorilor Litiu-Ion.  155

Citiți indicațiile referitoare la securitate și utilizare pentru acumulatorii Li-Ion marca **Hilti**, pe care le găsiți prin scanarea codului QR de la finalul acestui manual de utilizare.



### 3 Descriere

#### 3.1 Vedere generală a produsului



- ① Comutator de pornire/ oprire
- ② Mâner
- ③ Rotiță pentru reglarea numărului de curse
- ④ Acumulator
- ⑤ Fante de aerisire
- ⑥ Deschidere de montaj pentru accesorii
- ⑦ Manetă pentru deblocarea pânzei de ferăstrău
- ⑧ Mandrina
- ⑨ Apărătoare
- ⑩ Protecție împotriva atingerii
- ⑪ Pânză de ferăstrău
- ⑫ Protecție împotriva așchiilor
- ⑬ Manetă pentru reglaje ale cursei pendulare
- ⑭ Placă de bază
- ⑮ Gradație pentru reglajul unghiului de tăiere
- ⑯ Cârlig de fixare
- ⑰ Adaptor pentru aspirare
- ⑱ Tastă pentru deblocare a acumulatorului
- ⑲ Indicator de stare acumulator

#### 3.2 Utilizarea conformă cu destinația

Produsul descris este un ferăstrău pendular cu dirijare manuală și cu alimentare de la acumulatori. El este destinat tăierii cu ferăstrăul a materialului plastic, lemnului și materialelor metalice, precum și plăcilor de gips și fibră.

Produsul este echipat cu un ștuț de racord detașabil pentru un aspirator de praf opțional, conceput pentru furtunurile de aspiratoare uzuale. Pentru a îmbina furtunul de aspirare cu produsul, poate fi necesar un adaptor potrivit.

- Utilizați pentru acest produs numai acumulatori Li-Ion **Hilti** Nuron din seria de tip B 22. Pentru optimizarea randamentului, **Hilti** recomandă pentru acest produs acumulatorii indicați în tabelul de la finalul acestui manual de utilizare.
- Utilizați pentru acești acumulatori numai redresoarele **Hilti** din seriile de tip menționate în tabelul de la finalul acestui manual de utilizare.
- Utilizați pentru acest produs numai pânze de ferăstrău cu tijă de susținere T (coadă cu o camă).

#### 3.3 Posibilă folosire greșită

- Nu este permis ca produsul să fie utilizat pentru tăierea de crengi și trunchiuri.
- Nu este permis ca produsul să fie utilizat pentru prelucrarea materialelor nocive pentru sănătate.
- Nu este permis ca produsul să fie utilizat pentru lucrări într-un mediu umed.

#### 3.4 Indicațiile acumulatorului Li-Ion

**Hilti** Nuron Acumulatorii Li-Ion pot indica starea de încărcare, mesaje de eroare și starea acumulatorilor.

##### 3.4.1 Indicatoare pentru starea de încărcare și mesaje de eroare

#### ATENȚIONARE

##### Pericol de accidentare prin căderea acumulatorului!

- Cu acumulatorul introdus, asigurați-vă după apăsarea tastei pentru deblocare că fixați în poziție acumulatorul din nou corect în produsul utilizat.

Pentru a obține una dintre următoarele indicații, apăsați scurt tasta pentru deblocare a acumulatorului.



Starea de încărcare, precum și avariile posibile sunt afișate și permanent, cât timp produsul racordat este conectat.

Starea	Semnificație
Patru (4) LED-uri luminează constant în verde	Starea de încărcare: 100 % până la 71 %
Trei (3) LED-uri luminează constant în verde	Starea de încărcare: 70 % până la 51 %
Două (2) LED-uri luminează constant în verde	Starea de încărcare: 50 % până la 26 %
Un (1) LED luminează constant în verde	Starea de încărcare: 25 % până la 10 %
Un (1) LED se aprinde intermitent cu frecvență lentă în verde	Starea de încărcare: < 10 %
Un (1) LED se aprinde intermitent cu frecvență rapidă în verde	Acumulatorul Li-Ion este complet descărcat. Încărcați acumulatorul. Dacă LED-ul se aprinde în continuare intermitent cu frecvență rapidă după încărcarea acumulatorului, adresați-vă centrului de service <b>Hilti</b> .
Un (1) LED se aprinde intermitent cu frecvență rapidă în galben	Acumulatorul Li-Ion sau produsul asociat sunt suprasolicitate, prea fierbinți, prea reci sau este prezentă o altă eroare. Aduceți produsul și acumulatorul la temperatura de lucru recomandată și nu suprasolicitați produsul în aplicația de lucru. Dacă mesajul apare în continuare, adresați-vă centrului de service <b>Hilti</b> .
Un (1) LED se aprinde în galben	Acumulatorul Li-Ion și produsul asociat nu sunt compatibile. Vă rugăm să vă adresați centrului de service <b>Hilti</b> .
Un (1) LED se aprinde intermitent cu frecvență rapidă în roșu	Acumulatorul Li-Ion este blocat și nu poate fi utilizat în continuare. Vă rugăm să vă adresați centrului de service <b>Hilti</b> .

### 3.4.2 Indicatoare pentru starea acumulatorului

Pentru a interoga starea acumulatorului, țineți apăsată tasta pentru deblocare mai mult de trei secunde. Sistemul nu detectează nicio disfuncționalitate potențială a bateriei din cauza unui tratament abuziv, ca de ex. cădere, împunsături, deteriorări externe cauzate de căldură etc.

Starea	Semnificație
Toate LED-urile se aprind ca lumină dinamică și apoi se aprinde un (1) LED constant în verde.	Acumulatorul poate fi utilizat în continuare.
Toate LED-urile se aprind ca lumină dinamică și apoi se aprinde intermitent un (1) LED rapid în galben.	Interogarea stării acumulatorului nu a putut fi încheiată. Repetați procedeul sau adresați-vă centrului de service <b>Hilti</b> .
Toate LED-urile se aprind ca lumină dinamică și apoi se aprinde (1) LED constant în roșu.	Dacă un produs racordat poate fi utilizat în continuare, capacitatea rămasă a acumulatorului este sub 50%. Dacă un produs racordat nu mai poate fi utilizat, acumulatorul este la finalul duratei sale de serviciu și trebuie să fie înlocuit. Vă rugăm să vă adresați centrului de service <b>Hilti</b> .

### 3.5 Dispozitivul de suflare a materialului așchiat

Dispozitivul de suflare a materialului așchiat dirijează un curent de aer către pânza de ferăstrău pentru a elibera linia de tăiere de materialul așchiat.

### 3.6 Frecvența curselor

Frecvența curselor poate fi reglată de la roțița de reglare. Poziția 1 corespunde cu 800 curse pe minut și poziția 6 corespunde cu 3000 curse pe minut.



### 3.7 Pendularea în 4 trepte

Randamentul de tăiere și forma tăieturii în materialul de prelucrat pot fi modificate prin intermediul pendulării în 4 trepte. Comutarea între cele 4 trepte se efectuează cu ajutorul manetei pentru reglarea cursei pendulare. Cu cât marginea tăieturii trebuie să fie mai precisă și mai fină, cu atât mai redusă trebuie să alegeți treapta de pendulare. Reglarea optimă poate fi determinată prin încercări.

Starea	Semnificație
Treapta 0	pendulare oprită
Treapta 1	pendulare redusă
Treapta 2	pendulare medie
Treapta 3	Pendulare mare

### 3.8 Protecție împotriva așchiilor

Produsul poate fi echipat cu o apărătoare antirupere pentru așchii.

Apărătoarea antirupere pentru așchii împiedică ruperea suprafeței la tăierea cu ferăstrăul a materialelor lemnoase.

### 3.9 Deconectarea automată a produsului

Imediat ce comutatorul de pornire/ oprire este apăsat neîntrerupt un timp mai lung de 15 minute (de ex. la transport sau la depozitare), produsul va fi deconectat automat. Ca urmare, este împiedicată descărcarea puternică a acumulatorului.

### 3.10 Setul de livrare

Ferăstrău pendular cu pânză de ferăstrău, apărătoare, adaptor pentru aspirare, apărătoare antirupere așchii, manual de utilizare, cheie imbus.

Alte produse din sistem, avizate pentru produsul dumneavoastră, găsiți la centrul dumneavoastră **Hilti Store** sau online la: [www.hilti.group](http://www.hilti.group)

## 4 Date tehnice

### 4.1 Ferăstrău pendular pentru găuri

	SJT 6-22
Generația produsului	02
Tensiunea nominală	21,6 V
Greutate conform EPTA Procedure 01 fără acumulator	2,1 kg
Înălțimea cursei	28 mm
Numărul de curse la mersul în gol (n <sub>0</sub> )	800 rot/min ... 3.000 rot/min
Randament de tăiere maxim în lemn	150 mm
Randament de tăiere maxim în aluminiu	25 mm
Randament de tăiere maxim în oțel nealiat	10 mm
Unghi de tăiere (stânga/dreapta)	0° ... 45°
Diametrul exterior al adaptorului pentru aspirare	27,5 mm
Temperatura de depozitare	-20 °C ... 70 °C
Temperatura ambiantă în timpul funcționării	-17 °C ... 60 °C

### 4.2 Datele privind zgomotul și valorile vibrațiilor

Valorile presiunii acustice și ale vibrațiilor indicate în aceste instrucțiuni au fost măsurate corespunzător unui procedeu standardizat de măsură și pot fi utilizate pentru compararea reciprocă a sculelor electrice. Ele sunt adecvate și pentru o apreciere provizorie a valorilor de expunere.

Datele indicate se referă la aplicațiile principale de lucru ale sculei electrice. Firește că, dacă scula electrică este utilizată pentru alte aplicații de lucru cu dispozitive de lucru neprevăzute sau cu o întreținere insuficientă,



datele pot să difere. Acest lucru poate ridica în mod considerabil valorile de expunere pe întreaga durată de lucru.

Pentru o apreciere exactă a valorilor de expunere, trebuie să se ia în calcul și timpii în care scula electrică este deconectată sau în care ea funcționează, dar nu execută efectiv nicio activitate. Acest lucru poate reduce în mod considerabil valorile de expunere pe întreaga durată de lucru.

Stabiliți măsuri de securitate suplimentare pentru protecția operatorului față de efectele sonore și ale vibrațiilor, ca de exemplu: întreținerea sculei electrice și a dispozitivelor de lucru, menținerea mâinilor în stare caldă, organizarea proceselor de lucru.



Informații detaliate referitoare la versiunile utilizate aici ale normelor **EN 62841** pot fi găsite în imaginea a declarației de conformitate 252.

#### Valorile emisiei de zgomot

	<b>SJT 6-22</b>
Nivelul puterii acustice ( $L_{WA}$ )	99 dB(A)
Insecuritatea pentru nivelul puterii acustice ( $K_{WA}$ )	5 dB(A)
Nivel presiunii acustice ( $L_{pA}$ )	91 dB(A)
Insecuritatea pentru nivelul presiunii acustice ( $K_{pA}$ )	5 dB(A)

#### Valori totale ale vibrațiilor

		<b>SJT 6-22</b>
Valoarea emisiei vibrațiilor la tăierea cu ferăstrăul a plăcilor aglomerate ( $a_{h,B}$ )	<b>B 22-55</b>	5,2 m/s <sup>2</sup>
	<b>B 22-255</b>	5,3 m/s <sup>2</sup>
Valoarea emisiei vibrațiilor la tăierea cu ferăstrăul a foilor metalice ( $a_{n,M}$ )	<b>B 22-55</b>	8,5 m/s <sup>2</sup>
	<b>B 22-255</b>	7,2 m/s <sup>2</sup>
Insecuritatea (K)		1,5 m/s <sup>2</sup>

#### 4.3 Acumulator

Tensiunea de lucru a acumulatorului	21,6 V
Greutate acumulator	Vezi finalul acestui manual de utilizare
Temperatura ambiantă în timpul funcționării	-17 °C ... 60 °C
Temperatura de depozitare	-20 °C ... 40 °C
Temperatura acumulatorului la începutul încărcării	-10 °C ... 45 °C

## 5 Pregătirea lucrului



### ATENȚIONARE

#### Pericol de accidentare Prin pomirea involuntară!

- ▶ Înainte de introducerea acumulatorului, asigurați-vă că produsul aferent este deconectat.
- ▶ Înlăturați acumulatorul înainte de a realiza reglaje la mașină sau de a schimba accesorii.

Aveți în vedere indicațiile de securitate și de avertizare din această documentație și de pe produs.

#### 5.1 Încărcarea acumulatorului

1. Înainte de încărcare, citiți manualul de utilizare al redresorului.
2. Aveți în vedere ca la contactele acumulatorului și ale redresorului să existe curățenie și acestea să fie uscate.
3. Încărcați acumulatorul într-un redresor avizat. 148



## 5.2 Introducerea acumulatorului

### ATENȚIONARE

#### **Pericol de accidentare Prin scurtcircuit sau căderea acumulatorului!**

- ▶ Înainte de introducerea acumulatorului, asigurați-vă că la contactele acumulatorului și la contactele de pe produs nu există corpuri străine.
  - ▶ Asigurați-vă că acumulatorul este întotdeauna fixat corect în poziție.
- 
1. Încărcați acumulatorul complet înainte de prima punere în funcțiune.
  2. Introduceți prin glisare acumulatorul în produs până când acesta se înclichează cu zgomotul caracteristic.
  3. Controlați stabilitatea acumulatorului.

## 5.3 Îndepărtarea acumulatorului

1. Apăsăți tasta pentru deblocare a acumulatorului.
2. Trageți acumulatorul afară din produs.

## 5.4 Introducerea pânzei de ferăstrău 2

1. Apăsăți pânza de ferăstrău (cu dinții în sensul de tăiere) în mandrină, până când se înclichează.
2. Controlați blocarea pânzei de ferăstrău, trăgând de aceasta.

## 5.5 Așezarea apărătorii 3

- ▶ Introduceți prin glisare apărătoarea pe aparat prin produs, până când se fixează.



Apărătoarea poate fi așezată numai dacă placa de bază se află în poziția normală (unghiul de tăiere 0°). ➔ 153

## 5.6 Montarea adaptorului pentru aspirare 4

1. Introduceți prin glisare adaptorul pentru aspirare din spate orizontal în placa de bază, până când cele două cârlige de fixare sunt imobilizate în poziție în lateral.
2. Racordați furtunul aspiratorului de praf la adaptorul pentru aspirare.

## 5.7 Montarea apărătorii antirupere pentru așchii 5

- ▶ Apăsăți apărătoarea antirupere pentru așchii de jos în placa de bază.



Apărătoarea antirupere pentru așchii poate fi utilizată numai pentru pânzele de ferăstrău prevăzute special.

Apărătoarea antirupere pentru așchii poate fi utilizată numai dacă placa de bază se află în poziția normală (unghiul de tăiere 0°). ➔ 153

## 5.8 Siguranță pentru lucru la înălțime

### ATENȚIONARE

#### **Pericol de accidentare Prin căderea accesoriului de lucru și/ sau altor accesorii!**

- ▶ Utilizați numai firul de susținere a accesoriului de lucru **Hilti** recomandat pentru produsul dumneavoastră.
- ▶ Înainte de fiecare utilizare, verificați dacă la punctul de fixare al firului de susținere a accesoriului de lucru există deteriorări.
- ▶ Nu fixați niciun fir de susținere a accesoriului de lucru la agățătoarea de centură. Nu utilizați agățătoarea de centură pentru ridicarea produsului.



Respectați directivele naționale din țara dumneavoastră pentru lucrul la înălțime.

Ca siguranță de lucru la înălțime pentru acest produs, utilizați exclusiv o combinație între siguranța în caz de cădere **Hilti** și firul de susținere a accesoriului de lucru **Hilti** #2261970.



- ▶ Fixați siguranța de cădere în deschiderile de montaj pentru accesorii. Controlați stabilitatea.
- ▶ Fixați un cârlig cu carabină al firului de susținere a accesoriului de lucru la siguranța de cădere și al doilea cârlig cu carabină la o structură de rezistență. Controlați stabilitatea celor două cârlige cu carabină.

Aveți în vedere manualele de utilizare pentru siguranța în caz de cădere **Hilti**, precum și pentru firul de susținere a accesoriului de lucru **Hilti**.

## 6 Modul de utilizare

Aveți în vedere indicațiile de securitate și de avertizare din această documentație și de pe produs.

### 6.1 Utilizarea sistemului de aspirare a prafului

Sistemul de aspirare reduce praful, crește securitatea muncii prin ameliorarea vizibilității asupra tăieturii și împiedică acumulările de praf și material așchiat la locul de muncă.

1. Așezați apărătoarea. 152
2. Folosiți întotdeauna un sistem de aspirare a prafului dacă prelucrați o perioadă mai îndelungată lemn sau materiale care pot produce concentrații ridicate de praf.

### 6.2 Reglarea unghiului de tăiere

1. Demontați adaptorul pentru aspirare. 154
2. Desfaceți șurubul de la placa de bază.
3. Reglați unghiul de tăiere dorit (între 0° și 45° în ambele sensuri).
  - ▶ La unghiul de tăiere de 0°, placa de bază se află într-o în poziție asigurată contra răsucirii. Pentru a putea regla un unghi de tăiere, placa de bază se va trage mai întâi spre spate.
  - ▶ Dacă poziționați placa de bază înapoi pe unghiul de tăiere 0°, glisați apoi placa de bază din nou spre înainte, pentru a o fixa în poziția asigurată contra răsucirii.
4. Strângeți șurubul din nou.
  - ▶ Placa de bază este tensionată ferm.

### 6.3 Conectarea

Printr-o funcție de siguranță sunt asigurate condițiile ca produsul să nu pornească dacă produsul este mai întâi conectat și apoi este introdus acumulatorul.

Glisați comutatorul de pornire/ oprire spre înapoi și apoi din nou spre înainte.

- ▶ Împingeți comutatorul de pornire/ oprire spre înainte.

### 6.4 Străpungerea cu ferăstrăul

1. Comutați maneta pentru reglarea cursei pendulare în poziția 0.
2. Așezați produsul cu marginea anterioară a plăcii de bază pe piesa care se prelucrează.
3. Țineți ferm produsul și apăsați comutatorul de pornire/ oprire.
4. Apăsați ferm produsul pe piesa care se prelucrează și penetrați prin reducerea unghiului de sprijin.
5. După ce ați străpuns piesa care se prelucrează, aduceți produsul în poziția de lucru normală.
  - ▶ Placa de bază se sprijină cu toată suprafața.
6. Continuați să tăiați în lungul liniei de tăiere.

### 6.5 Deconectarea

- ▶ Glisați comutatorul de pornire/ oprire spre partea posterioară.



## 7 Demontarea

### 7.1 Demontarea adaptorului pentru aspirare 7

1. Apăsăți cele două cârlige de fixare spre interior.
2. Desprindeți adaptorul pentru aspirare de la placa de bază spre partea posterioară.
3. Scoateți furtunul aspiratorului de praf de pe adaptorul pentru aspirare.

### 7.2 Detașarea apărătorii 3

- ▶ Înclinați ușor apărătoarea și trageți-o către partea frontală.

### 7.3 Ejectarea pânzei de ferăstrău 9

#### ATENȚIONARE

**Pericol de accidentare.** Ejectarea necontrolată a pânzei de ferăstrău poate duce la accidentări.

- ▶ La ejectarea pânzei de ferăstrău, țineți produsul astfel încât nicio persoană sau niciun animal să nu sufere vătămări prin această acțiune.
- ▶ Pivotați lateral maneta dispozitivului de deblocare a pânzei de ferăstrău până la opritor.
  - ▶ Pânza de ferăstrău va fi eliberată și ejectată.

## 8 Îngrijirea și întreținerea

#### ATENȚIONARE

**Pericol de accidentare când acumulatorul este introdus !**

- ▶ Înaintea tuturor lucrărilor de îngrijire și întreținere, extrageți întotdeauna acumulatorul!

### Îngrijirea produsului

- Îndepărtați cu precauție murdăria aderentă.
- Dacă există, curățați cu precauție fantele de aerisire, folosind o perie uscată și moale.
- Curățați carcasa numai cu o cârpă ușor umezită. Nu utilizați produse de îngrijire care conțin silicon, deoarece acestea pot ataca piesele din plastic.
- Utilizați o cârpă curată și uscată, pentru a curăța contactele produsului.

### Îngrijirea acumulatorilor Li-Ion

- Nu utilizați niciodată un acumulator cu fantele de aerisire astupate. Curățați fantele de aerisire cu multă atenție, folosind o perie uscată și moale.
- Evitați expunerea inutilă a acumulatorului la praf sau murdărie. Nu expuneți niciodată acumulatorul la umiditate ridicată (de ex. prin scufundare în apă sau lăsarea lui în ploaie). Dacă un acumulator este pătruns de umiditate, tratați-l ca pe un acumulator deteriorat. Izolați-l într-un recipient neinflamabil și adresați-vă centrului de service **Hilti**.
- Păstrați acumulatorul fără urme de ulei și unsoare de altă proveniență. Nu permiteți ca praful sau murdăria să se acumuleze inutil pe acumulator. Curățați acumulatorul cu o perie uscată și moale sau cu o cârpă curată și uscată. Nu utilizați produse de îngrijire care conțin silicon, deoarece acestea pot ataca piesele din plastic.  
Nu atingeți contactele acumulatorului și nu îndepărtați unsoarea aplicată din fabricație de pe contacte.
- Curățați carcasa numai cu o cârpă ușor umezită. Nu utilizați produse de îngrijire care conțin silicon, deoarece acestea pot ataca piesele din plastic.

### Întreținerea

- Verificați regulat la toate piesele vizibile dacă există deteriorări și funcționarea impecabilă a elementelor de comandă.
- În caz de deteriorări și/ sau disfuncționalități, nu puneți produsul în exploatare. Dispuneți urgent repararea produsului la centrul de service de la **Hilti**.
- După lucrările de îngrijire și întreținere, atașați toate dispozitivele de protecție și verificați funcționarea impecabilă a acestora.



Pentru o exploatare sigură utilizați numai piese de schimb și materiale consumabile originale. Piese de schimb, materiale consumabile și accesorii avizate de **Hilti** pentru produs găsiți la centrul dumneavoastră **Hilti Store** sau la: [www.hilti.group](http://www.hilti.group)





## 8.1 Curățarea adaptorului pentru aspirare

1. Demontați adaptorul pentru aspirare. 154
2. Curățați adaptorul pentru aspirare.
3. Controlați starea nedeteriorată a cârligelor de fixare.
4. Montați adaptorul pentru aspirare. 152

## 8.2 Curățarea pânelor de ferăstrău

1. Curățați regulat rășina de pe pânzele de ferăstrău folosite.
2. Introduceți pânzele de ferăstrău timp de 24 ore în petrol sau agent uzual din comerț pentru îndepărtarea rășinii.

## 9 Transportul și depozitarea accesoriilor de lucru cu acumulator și a acumulatorilor

### Transportul

#### AVERTISMENT

#### Pornire involuntară la transport !

- ▶ Transportați întotdeauna produsele dumneavoastră fără acumulatori introduși!
  - ▶ Extrageți acumulatorul/ acumulatorii.
  - ▶ Nu transportați niciodată acumulatorii în vrac. Pe parcursul transportului, acumulatorii trebuie protejați împotriva șocurilor și vibrațiilor excesive și izolați de orice materiale conductoare electric sau de alți acumulator, astfel încât să nu ajungă în contact cu alte borne de baterie și să cauzeze un scurtcircuit.
- Aveți în vedere prescripțiile de transport locale, valabile pentru acumulatori în zona dumneavoastră.**
- ▶ Trimiterea acumulatorilor prin poștă nu este permisă. Adresați-vă unei companii de expedieri dacă doriți să trimiteți acumulatorii nedeteriorați.
  - ▶ Controlați înainte de fiecare utilizare, precum și înaintea unui transport lung și după acesta, dacă produsul și acumulatorii prezintă deteriorări.

### Depozitarea

#### ATENȚIONARE

#### Deteriorare involuntară cauzată de acumulatori defecți sau din care iese lichid !

- ▶ Depozitați întotdeauna produsele dumneavoastră fără acumulatori introduși!
- ▶ Depozitați produsul și acumulatorii în spații răcoroase și uscate. Aveți în vedere valorile limită de temperatură, indicate în Date tehnice.
- ▶ Nu păstrați acumulatorii în redresor. Scoateți întotdeauna acumulatorul de la redresor după procesul de încărcare.
- ▶ Nu depozitați niciodată acumulatorii în soare, pe surse de căldură sau în spatele geamurilor de sticlă.
- ▶ Depozitați produsul și acumulatorii în spații inaccesibile pentru copii și pentru persoanele neautorizate.
- ▶ Controlați înainte de fiecare utilizare, precum și înaintea unei depozitări lungi și după aceasta, dacă produsul și acumulatorii prezintă deteriorări.

## 10 Asistență în caz de avarii

La toate avariile, aveți în vedere indicatorul stării de încărcare și al erorilor pentru acumulator. Vezi capitolul **Indicațiile acumulatorului Li-Ion.**

În cazul avariilor care nu sunt prezentate în acest tabel sau pe care nu le puteți remedia prin mijloace proprii, vă rugăm să vă adresați centrul nostru de service **Hilti**.

Avarie	Cauza posibilă	Soluție
Pânza de ferăstrău cade în exterior.	Pânza de ferăstrău nu este blocată corect.	<ul style="list-style-type: none"> <li>▶ Repetați procedeele de tensionare.</li> <li>▶ Aveți în vedere ca mandrina să fie deschisă complet și pânza de ferăstrău să fie apăsată în sens contrar rezistenței.</li> </ul>
	Sistemul de tensionare murdărit.	<ul style="list-style-type: none"> <li>▶ Curățați mandrina.</li> </ul>



Avarie	Cauza posibilă	Soluție
Pânza de ferăstrău nu poate fi introdusă.	Sistemul de tensionare murdărit.	▶ Curățați mandrina.
Cursa pendulară nu se poate corecta.	Canelura pârghiei pendulului murdărită.	▶ Curățați de impurități canelura pârghiei pendulului.
Cursa pendulară nu funcționează.	Mecanismul de pendulare murdărit.	▶ Verificați dacă în zona furcii de pendulare există murdărie, îndepărtați-o.
	Pârghia pentru cursa pendulară este în poziția "0".	▶ Reglați valoarea dorită.
Acumulatorul se descarcă mai rapid decât în mod obișnuit.	Temperatura ambiantă foarte scăzută.	▶ Lăsați acumulatorul să se încălzească lent la temperatura camerei.
Acumulatorul nu se fixează cu zgomotul caracteristic de „clic”.	Ciocul de fixare de pe acumulator este murdărit.	▶ Curățați ciocul de fixare și introduceți acumulatorul din nou.
Dezvoltare de căldură excesivă în produs sau în acumulator.	Defect electric	▶ Deconectați produsul imediat, extrageți acumulatorul, examinați-l, lăsați-l să se răcească și luați legătura cu centrul de service <b>Hilti</b> .
LED-urile acumulatorului nu indică nimic	Acumulator defect	▶ Adresați-vă centrului de service <b>Hilti</b> .

## 11 Dezafectarea și evacuarea ca deșeuri

### ATENȚIONARE

**Pericol de accidentare prin dezafectarea și evacuarea improprie a deșeurilor!** Pericole pentru sănătate din cauza ieșirii de gaze sau lichide.

- ▶ Nu expediați sau trimiteți niciun acumulator deteriorat!
- ▶ Acoperiți racordurile cu un material neconductor electric, pentru a evita scurtcircuitele.
- ▶ Evacuați ca deșeu acumulatorii astfel încât ei să nu poată ajunge în mâinile copiilor.
- ▶ Evacuați acumulatorul ca deșeu la magazinul dumneavoastră **Hilti Store** sau adresați-vă companiei responsabile cu deșeurile din zona dumneavoastră.

Produsele **Hilti** sunt fabricate într-o proporție mare din materiale reutilizabile. Condiția necesară pentru reciclare este separarea corectă a materialelor. În multe țări, **Hilti** preia înapoi mașina dumneavoastră vechi pentru valorificare. Solicitați informații de la centrul pentru clienți **Hilti** sau de la consilierul dumneavoastră de vânzări.



- ▶ Nu aruncați sculele electrice, aparatele electronice și acumulatorii în containerele de gunoi menajer!

## 12 Garanția producătorului

- ▶ Pentru relații suplimentare referitoare la condițiile de garanție legală, vă rugăm să vă adresați partenerului dumneavoastră local **Hilti**.



## 13 Alte informații

Informații adiționale referitoare la modul de utilizare, echipament, mediu și reciclare găsiți sub link-ul următor: [qr.hilti.com/manual/?id=2264217&id=2264218](http://qr.hilti.com/manual/?id=2264217&id=2264218)  
Găsiți acest link și la finalul documentației sub formă de cod QR.



## Πρωτότυπες οδηγίες χρήσης

### 1 Στοιχεία για τις οδηγίες χρήσης

#### 1.1 Σχετικά με τις παρούσες οδηγίες χρήσης

- **Προειδοποίηση!** Πριν χρησιμοποιήσετε το προϊόν, βεβαιωθείτε, ότι έχετε διαβάσει και κατανοήσει τις οδηγίες χρήσης που συνοδεύουν το προϊόν συμπεριλαμβανομένων των οδηγιών, των υποδείξεων ασφαλείας και προειδοποίησης, των εικόνων και των προδιαγραφών. Εξοικειωθείτε ιδίως με όλες τις οδηγίες, τις υποδείξεις ασφαλείας και προειδοποίησης, τις εικόνες, τις προδιαγραφές καθώς και τα εξαρτήματα και τις λειτουργίες. Σε περίπτωση παράβλεψης υπάρχει ο κίνδυνος ηλεκτροπληξίας, πυρκαγιάς και/ή σοβαρών τραυματισμών. Φυλάξτε τις οδηγίες χρήσης συμπεριλαμβανομένων όλων των οδηγιών, των υποδείξεων ασφαλείας και προειδοποίησης για μεταγενέστερη χρήση.
- Τα προϊόντα της **HILTI** προορίζονται για τον επαγγελματία χρήστη και ο χειρισμός, η συντήρηση και η επισκευή τους επιτρέπεται μόνο από εξουσιοδοτημένο, ενημερωμένο προσωπικό. Το προσωπικό αυτό πρέπει να έχει ενημερωθεί ειδικά για τους κινδύνους που ενδέχεται να παρουσιαστούν. Από το προϊόν και τα βοηθητικά του μέσα ενδέχεται να προκληθούν κίνδυνοι, όταν ο χειρισμός τους γίνεται με ακατάλληλο τρόπο από μη εκπαιδευμένο προσωπικό ή όταν δεν χρησιμοποιούνται με κατάλληλο τρόπο.
- Οι συνημμένες οδηγίες χρήσης αντιστοιχούν στο τρέχον επίπεδο της τεχνολογίας τη στιγμή της εκτύπωσης. Μπορείτε να βρίσκετε πάντα την τρέχουσα έκδοση online στη σελίδα προϊόντων της Hilti. Χρησιμοποιήστε για αυτόν τον σκοπό τον σύνδεσμο ή τον κωδικό QR σε αυτές τις οδηγίες χρήσης, που επισημαίνεται με το σύμβολο
- Όταν δίνετε το προϊόν σε άλλους, βεβαιωθείτε ότι τους έχετε δώσει και αυτές τις οδηγίες χρήσης.

#### 1.2 Επεξήγηση συμβόλων

##### 1.2.1 Υποδείξεις προειδοποίησης

Οι υποδείξεις προειδοποίησης προειδοποιούν από κινδύνους κατά την εργασία με το προϊόν. Χρησιμοποιούνται οι ακόλουθες λέξεις επισήμανσης:

##### ΚΙΝΔΥΝΟΣ

##### ΚΙΝΔΥΝΟΣ!

- ▶ Για μια άμεσα επικίνδυνη κατάσταση, που οδηγεί σε σοβαρό ή θανατηφόρο τραυματισμό.

##### ΠΡΟΕΙΔΟΠΟΙΗΣΗ

##### ΠΡΟΕΙΔΟΠΟΙΗΣΗ!

- ▶ Για μια πιθανά επικίνδυνη κατάσταση, που μπορεί να οδηγήσει σε σοβαρό ή θανατηφόρο τραυματισμό.

##### ΠΡΟΣΟΧΗ

##### ΠΡΟΣΟΧΗ!

- ▶ Για μια πιθανόν επικίνδυνη κατάσταση, που ενδέχεται να οδηγήσει σε τραυματισμούς ή υλικές ζημιές.

##### 1.2.2 Σύμβολα στις οδηγίες χρήσης

Στις παρούσες οδηγίες χρήσης χρησιμοποιούνται τα ακόλουθα σύμβολα:



	Προσέξτε τις οδηγίες χρήσης
	Υποδείξεις χρήσης και άλλες χρήσιμες πληροφορίες
	Χειρισμός ανακυκλώσιμων υλικών
	Μην πετάτε τα ηλεκτρικά εργαλεία και τις μπαταρίες στον κάδο οικιακών απορριμμάτων
	<b>Hilti</b> Επαναφορτιζόμενη μπαταρία Li-Ion
	<b>Hilti</b> Φορτιστής

### 1.2.3 Σύμβολα σε εικόνες

Στις εικόνες χρησιμοποιούνται τα ακόλουθα σύμβολα:

	Αυτοί οι αριθμοί παραπέμπουν στην εκάστοτε εικόνα στην αρχή αυτών των οδηγιών χρήσης.
	Η αριθμηση δείχνει τη σειρά των βημάτων εργασίας στην εικόνα και ενδέχεται να διαφέρει από τα βήματα εργασίας στο κείμενο.
	Οι αριθμοί θέσης χρησιμοποιούνται στην εικόνα <b>Επισκόπηση</b> και παραπέμπουν στους αριθμούς του υπομνήματος στην ενότητα <b>Συνοπτική παρουσίαση προϊόντος</b> .
	Αυτό το σύμβολο έχει σκοπό να επιστήσει ιδιαίτερα την προσοχή σας κατά την εργασία με το προϊόν.

## 1.3 Σύμβολα ανάλογα με το προϊόν

### 1.3.1 Πρόσθετα σύμβολα

Στην τεκμηρίωση ή στο προϊόν μπορεί να χρησιμοποιούνται επιπρόσθετα τα ακόλουθα σύμβολα:

	Αριθμός εμβολισμών χωρίς φορτίο
	Συνεχές ρεύμα
	Επαναφορτιζόμενη μπαταρία Li-Ion
	Το προϊόν υποστηρίζει τεχνολογία NFC, που είναι συμβατή με πλατφόρμες iOS και Android.
	Μην χρησιμοποιείτε την επαναφορτιζόμενη μπαταρία ποτέ ως κρουστικό εργαλείο.
	Μην αφήνετε την επαναφορτιζόμενη μπαταρία να πέσει κάτω. Μην χρησιμοποιείτε μια επαναφορτιζόμενη μπαταρία, η οποία έχει δεχτεί χτύπημα ή έχει υποστεί ζημιά με διαφορετικό τρόπο.

## 2 Ασφάλεια

### 2.1 Γενικές υποδείξεις για την ασφάλεια για ηλεκτρικά εργαλεία

**⚠ ΠΡΟΕΙΔΟΠΟΙΗΣΗ Διαβάστε όλες τις υποδείξεις ασφαλείας, τις οδηγίες, τις εικόνες και τα τεχνικά χαρακτηριστικά τα οποία υπάρχουν σε αυτό το ηλεκτρικό εργαλείο.** Η παράβλεψη των ακόλουθων οδηγιών μπορεί να προκαλέσει ηλεκτροπληξία, πυρκαγιά και/ή σοβαρούς τραυματισμούς.

**Φυλάξτε όλες τις υποδείξεις για την ασφάλεια και τις οδηγίες για μελλοντική χρήση.**

Ο όρος "ηλεκτρικό εργαλείο" που χρησιμοποιείται στις υποδείξεις για την ασφάλεια αναφέρεται σε ηλεκτρικά εργαλεία που λειτουργούν συνδεδεμένα τα στο ηλεκτρικό δίκτυο (με καλώδιο τροφοδοσίας) και σε ηλεκτρικά εργαλεία που λειτουργούν με επαναφορτιζόμενες μπαταρίες (χωρίς καλώδιο τροφοδοσίας).

#### Ασφάλεια χώρου εργασίας

- ▶ **Διατηρείτε το χώρο εργασίας σας καθαρό και με καλό φωτισμό.** Η αταξία στο χώρο εργασίας και οι μη φωτισμένες περιοχές μπορεί να οδηγήσουν σε ατυχήματα.
- ▶ **Μην εργάζεστε με το ηλεκτρικό εργαλείο σε περιβάλλον επικίνδυνο για εκρήξεις, στο οποίο υπάρχουν εύφλεκτα υγρά, αέρια ή σκόνη.** Από τα ηλεκτρικά εργαλεία δημιουργούνται σπινθήρες, οι οποίοι μπορεί να αναφλέξουν τη σκόνη ή τις αναθυμιάσεις.



- ▶ **Κατά τη χρήση του ηλεκτρικού εργαλείου κρατάτε μακριά τα παιδιά και άλλα πρόσωπα.** Εάν σας αποσπάσουν την προσοχή, μπορεί να χάσετε τον έλεγχο του εργαλείου.

### Ηλεκτρική ασφάλεια

- ▶ **Το φως σύνδεσης του ηλεκτρικού εργαλείου πρέπει να ταιριάζει στην πρίζα.** Δεν επιτρέπεται σε καμία περίπτωση η μετατροπή η μετατροπή του φως. Μην χρησιμοποιείτε αντάπτορες φως μαζί με γειωμένα ηλεκτρικά εργαλεία. Τα φως που δεν έχουν υποστεί μετατροπές και οι κατάλληλες πρίζες μειώνουν τον κίνδυνο ηλεκτροπληξίας.
- ▶ **Αποφεύγετε την επαφή του σώματος με γειωμένες επιφάνειες, όπως σωλήνες, καλοριφέρ, ηλεκτρικές κουζίνες και ψυγεία.** Υπάρχει αυξημένος κίνδυνος ηλεκτροπληξίας, όταν το σώμα σας είναι γειωμένο.
- ▶ **Μην εκθέτετε τα ηλεκτρικά εργαλεία σε βροχή ή σε υγρασία.** Η εισχώρηση νερού στο ηλεκτρικό εργαλείο αυξάνει τον κίνδυνο ηλεκτροπληξίας.
- ▶ **Μην χρησιμοποιείτε το καλώδιο σύνδεσης για να μεταφέρετε ή να αναρτήσετε το ηλεκτρικό εργαλείο ή για να τραβήξετε το φως από την πρίζα.** Κρατάτε το καλώδιο σύνδεσης μακριά από υψηλές θερμοκρασίες, λάδια, αιχμηρές ακμές ή κινούμενα μέρη. Τα ελαττωματικά ή τα περιστασιακά καλώδια σύνδεσης αυξάνουν τον κίνδυνο ηλεκτροπληξίας.
- ▶ **Όταν εργάζεστε με το ηλεκτρικό εργαλείο σε υπαίθριους χώρους, χρησιμοποιείτε μόνο καλώδια προέκτασης (μπιλαντζές), που είναι κατάλληλα για χρήση σε εξωτερικούς χώρους.** Η χρήση ενός καλωδίου προέκτασης κατάλληλου για χρήση σε υπαίθριους χώρους μειώνει τον κίνδυνο ηλεκτροπληξίας.
- ▶ **Εάν δεν μπορεί να αποφευχθεί η λειτουργία του ηλεκτρικού εργαλείου σε περιβάλλον με υγρασία, χρησιμοποιήστε αυτόματο ρελέ.** Η χρήση ενός αυτόματου ρελέ μειώνει τον κίνδυνο ηλεκτροπληξίας.

### Ασφάλεια προσώπων

- ▶ **Να είσαστε πάντα προσεκτικοί, να προσέχετε τι κάνετε και να εργάζεστε με το ηλεκτρικό εργαλείο με περίσκεψη.** Μην χρησιμοποιείτε ηλεκτρικά εργαλεία, όταν είστε κουρασμένοι ή όταν βρίσκεστε υπό την επήρεια ναρκωτικών ουσιών, οινοπνεύματος ή φαρμάκων. Μία στιγμή απροσεξίας κατά τη χρήση του ηλεκτρικού εργαλείου μπορεί να οδηγήσει σε σοβαρούς τραυματισμούς.
- ▶ **Φοράτε προσωπικό εξοπλισμό προστασίας και πάντα προστατευτικά γυαλιά.** Φορώντας προσωπικό εξοπλισμό προστασίας, όπως μάσκα προστασίας από τη σκόνη, αντιολισθητικά υποδήματα ασφαλείας, προστατευτικό κράνος ή γυαλιά, ανάλογα με το είδος και τη χρήση του ηλεκτρικού εργαλείου, μειώνεται ο κίνδυνος τραυματισμών.
- ▶ **Αποφεύγετε την ακούσια θέση σε λειτουργία του εργαλείου. Βεβαιωθείτε ότι είναι απενεργοποιημένο το ηλεκτρικό εργαλείο, πριν το συνδέσετε στην παροχή ρεύματος και/ή πριν τοποθετήσετε την μπαταρία και πριν το μεταφέρετε.** Εάν μεταφέροντας το ηλεκτρικό εργαλείο έχετε το δάκτυλό σας στον διακόπτη ή συνδέσετε το εργαλείο στο ρεύμα ενώ ο διακόπτης είναι στο ΟΝ, μπορεί να προκληθούν ατυχήματα.
- ▶ **Απομακρύνετε τα εργαλεία ρύθμισης ή τα κλειδιά από το ηλεκτρικό εργαλείο, πριν το θέσετε σε λειτουργία.** Ένα εργαλείο ή κλειδί που βρίσκεται σε κάποιο περιστρεφόμενο εξάρτημα του ηλεκτρικού εργαλείου, μπορεί να προκαλέσει τραυματισμούς.
- ▶ **Αποφύγετε τις αφύσικες στάσεις του σώματος. Φροντίστε για την ασφαλή στήριξη του σώματός σας και διατηρείτε πάντα την ισορροπία σας.** Έτσι μπορείτε να ελέγχετε καλύτερα το ηλεκτρικό εργαλείο σε μη αναμενόμενες καταστάσεις.
- ▶ **Φοράτε κατάλληλα ρούχα. Μην φοράτε φαρδιά ρούχα ή κοσμήματα. Κρατάτε τα μαλλιά, τα ρούχα και τα γάντια μακριά από περιστρεφόμενα εξαρτήματα.** Τα φαρδιά ρούχα, τα κοσμήματα ή τα μακριά μαλλιά μπορεί να παγιδευτούν από περιστρεφόμενα εξαρτήματα.
- ▶ **Εάν υπάρχει η δυνατότητα σύνδεσης συστημάτων αναρρόφησης και συλλογής σκόνης, βεβαιωθείτε ότι είναι συνδεδεμένα και ότι χρησιμοποιούνται σωστά.** Η χρήση συστήματος αναρρόφησης σκόνης μπορεί να μειώσει τους κινδύνους που προέρχονται από τη σκόνη.
- ▶ **Μην εκτιμάτε λάθος την ασφάλεια και μην παραβλέπετε τους κανόνες ασφαλείας για ηλεκτρικά εργαλεία, ακόμη και όταν, μετά από πολλές χρήσεις, έχετε εξοικειωθεί με το ηλεκτρικό εργαλείο.** Από απρόσεκτες ενέργειες μπορούν να προκληθούν σοβαροί τραυματισμοί εντός κλάσματος δευτερολέπτου.

### Χρήση και αντιμετώπιση του ηλεκτρικού εργαλείου

- ▶ **Μην υπερφορτίζετε το εργαλείο.** Χρησιμοποιείτε για την εργασία σας το ηλεκτρικό εργαλείο που προορίζεται για αυτήν. Με το κατάλληλο ηλεκτρικό εργαλείο εργάζεστε καλύτερα και με μεγαλύτερη ασφάλεια στην αναφερόμενη περιοχή ισχύος.
- ▶ **Μην χρησιμοποιείτε ποτέ ένα ηλεκτρικό εργαλείο, ο διακόπτης του οποίου είναι χαλασμένος.** Ένα ηλεκτρικό εργαλείο το οποίο δεν μπορεί να τεθεί πλέον σε λειτουργία ή εκτός λειτουργίας είναι επικίνδυνο και πρέπει να επισκευαστεί.



- ▶ **Αποσυνδέστε το φις από την πρίζα και/ή απομακρύνετε μια αποσπώμενη μπαταρία πριν διεξάγετε ρυθμίσεις στο εργαλείο, αντικαταστήσετε κάποιο αξεσουάρ ή αποθηκεύσετε το εργαλείο.** Αυτό το προληπτικό μέτρο ασφαλείας αποτρέπει την ακούσια εκκίνηση του ηλεκτρικού εργαλείου.
- ▶ **Φυλάτε τα ηλεκτρικά εργαλεία που δεν χρησιμοποιείτε μακριά από παιδιά. Μην αφήνετε να χρησιμοποιήσουν το εργαλείο άτομα που δεν είναι εξοικειωμένα με αυτό ή που δεν έχουν διαβάσει αυτές τις οδηγίες χρήσης.** Τα ηλεκτρικά εργαλεία είναι επικίνδυνα, όταν χρησιμοποιούνται από άπειρα πρόσωπα.
- ▶ **Φροντίστε σχολαστικά τα ηλεκτρικά εργαλεία και τα αξεσουάρ. Ελέγχετε, εάν τα κινούμενα μέρη λειτουργούν άψογα και δεν μπλοκάρουν, εάν έχουν σπάσει κάποια εξαρτήματα ή έχουν υποστεί τέτοια ζημιά ώστε να επηρεάζεται αρνητικά η λειτουργία του ηλεκτρικού εργαλείου. Δώστε τα χαλασμένα εξαρτήματα για επισκευή πριν χρησιμοποιήσετε ξανά το εργαλείο.** Πολλά ατυχήματα οφείλονται σε κακά συντηρημένα ηλεκτρικά εργαλεία.
- ▶ **Διατηρείτε τα εξαρτήματα κοπής αιχμηρά και καθαρά.** Τα σχολαστικά συντηρημένα εξαρτήματα κοπής με αιχμηρές ακμές κολλάνε σπανιότερα και καθοδηγούνται με μεγαλύτερη ευκολία.
- ▶ **Χρησιμοποιείτε το ηλεκτρικό εργαλείο, τα αξεσουάρ, τα εργαλεία ρύθμισης κτλ. σύμφωνα με τις παρούσες οδηγίες. Λαμβάνετε ταυτόχρονα υπόψη τις συνθήκες εργασίας και την προς εκτέλεση εργασία.** Η χρήση ηλεκτρικών εργαλείων για εργασίες διαφορετικές από τις προβλεπόμενες μπορεί να οδηγήσει σε επικίνδυνες καταστάσεις.
- ▶ **Διατηρείτε τις λαβές και επιφάνειες συγκράτησης στεγνές, καθαρές και απαλλαγμένες από λάδια και γράσα.** Οι ολισθηρές λαβές και επιφάνειες συγκράτησης δεν επιτρέπουν ασφαλή χειρισμό και έλεγχο του ηλεκτρικού εργαλείου σε απρόβλεπτες καταστάσεις.

#### **Χρήση και αντιμετώπιση του επαναφορτιζόμενου εργαλείου**

- ▶ **Φορτίζετε τις μπαταρίες μόνο με φορτιστές που προτείνονται από τον κατασκευαστή.** Υπάρχει κίνδυνος πυρκαγιάς σε φορτιστές που είναι κατάλληλοι για ένα συγκεκριμένο είδος μπαταριών, όταν χρησιμοποιούνται με άλλες μπαταρίες.
- ▶ **Χρησιμοποιείτε μόνο τις προβλεπόμενες για τα ηλεκτρικά εργαλεία επαναφορτιζόμενες μπαταρίες.** Η χρήση άλλων μπαταριών μπορεί να προκαλέσει τραυματισμούς και κίνδυνο πυρκαγιάς.
- ▶ **Κρατήστε τις μπαταρίες που δεν χρησιμοποιείτε μακριά από συνδετήρες, κέρματα, κλειδιά, καρφιά, βίδες και άλλα μεταλλικά μικροαντικείμενα, που θα μπορούσαν να προκαλέσουν γεφύρωση των επαφών.** Ένα βραχυκύκλωμα μεταξύ των επαφών της μπαταρίας μπορεί να έχει ως συνέπεια εγκαύματα ή πυρκαγιά.
- ▶ **Σε περίπτωση λανθασμένης χρήσης μπορούν να διαρρεύσουν υγρά από την μπαταρία. Αποφεύγετε κάθε είδους επαφή. Σε περίπτωση ακούσιας επαφής, ξεπλύνετε με νερό. Εάν τα υγρά έρθουν σε επαφή με τα μάτια σας, επισκεφθείτε επιπρόσθετα ένα γιατρό.** Τα υγρά της μπαταρίας ενδέχεται να προκαλέσουν ερεθισμούς ή εγκαύματα στο δέρμα.
- ▶ **Μην χρησιμοποιείτε μπαταρίες που έχουν υποστεί ζημιά ή έχουν υποστεί μετατροπές.** Οι μπαταρίες που έχουν υποστεί ζημιά ή μετατροπές μπορεί να συμπεριφερθούν απρόβλεπτα και να προκαλέσουν φωτιά, έκρηξη ή κίνδυνο τραυματισμού.
- ▶ **Μην εκθέτετε την μπαταρία σε φωτιά ή σε πολύ υψηλές θερμοκρασίες.** Η φωτιά ή οι θερμοκρασίες άνω των 130 °C (265 °F) μπορεί να προκαλέσει έκρηξη.
- ▶ **Ακολουθήστε όλες τις οδηγίες για τη φόρτιση και μην φορτίζετε την μπαταρία ή το επαναφορτιζόμενο εργαλείο ποτέ εκτός του εύρους θερμοκρασιών που αναφέρεται στο παρόν εγχειρίδιο οδηγιών χρήσης.** Η λανθασμένη φόρτιση ή η φόρτιση εκτός του επιτρεπόμενου εύρους θερμοκρασίας μπορεί να καταστρέψει την μπαταρία και να αυξήσει τον κίνδυνο πυρκαγιάς.

#### **Σέρβις**

- ▶ **Αναθέτετε την επισκευή του ηλεκτρικού εργαλείου μόνο σε κατάλληλο εξειδικευμένο προσωπικό με χρήση μόνο γνήσιων ανταλλακτικών.** Με αυτόν τον τρόπο διασφαλίζεται ότι θα διατηρηθεί η ασφάλεια του εργαλείου.
- ▶ **Μην συντηρείτε ποτέ μπαταρίες που έχουν υποστεί ζημιά.** Κάθε συντήρηση μπαταριών θα πρέπει να πραγματοποιείται μόνο από τον κατασκευαστή ή από εξουσιοδοτημένα σέρβις.

#### **2.2 Υποδείξεις για την ασφάλεια για πριόνια με κινούμενη πριονόλαμα**

- ▶ **Κρατάτε το ηλεκτρικό εργαλείο από τις μονωμένες επιφάνειες συγκράτησης, όταν εκτελείτε εργασίες κατά τις οποίες το ηλεκτρικό εργαλείο ενδέχεται να έρθει σε επαφή με καλυμμένα ηλεκτρικά καλώδια.** Η επαφή με καλώδιο που βρίσκεται υπό τάση μπορεί να θέσει υπό τάση ακόμη και τα μεταλλικά μέρη του εργαλείου και να προκαλέσει ηλεκτροπληξία.
- ▶ **Στερεώστε και ασφαλίστε το εξάρτημα με μέγενες ή με άλλο τρόπο σε ένα σταθερό υπόστρωμα.** Εάν κρατάτε το αντικείμενο μόνο με το χέρι ή κόντρα στο σώμα σας, παραμένει ασταθές, γεγονός που μπορεί να προκαλέσει απώλεια του ελέγχου.



## 2.3 Πρόσθετες υποδείξεις για την ασφάλεια

- ▶ Χρησιμοποιείτε το προϊόν και τα αξεσουάρ μόνο σε τεχνικά άφογη κατάσταση.
- ▶ Μην πραγματοποιείτε ποτέ παραποιήσεις ή μετατροπές στο προϊόν ή σε αξεσουάρ.
- ▶ Ελέγξτε πριν από την έναρξη της εργασίας την περιοχή εργασίας για καλυμμένα ηλεκτρικά καλώδια, σωλήνες αερίου και ύδρευσης. Από εξωτερικά μεταλλικά μέρη στο προϊόν μπορεί να προκληθεί ηλεκτροπληξία ή έκρηξη, εάν κατά λάθος προκαλέσετε ζημιά σε ηλεκτρικό καλώδιο, σε σωλήνα αερίου ή σωλήνα νερού.
- ▶ Διατηρείτε πάντα ελεύθερες τις σχισμές αερισμού. Κίνδυνος εγκαύματος από καλυμμένες σχισμές αερισμού!
- ▶ Φοράτε κατά τη χρήση του προϊόντος προστατευτικά γυαλιά, ωτοασπίδες και προστατευτικά γάντια.
- ▶ Χρησιμοποιείτε προστατευτικά γυαλιά. Τα θραύσματα του υλικού μπορεί να προκαλέσουν τραυματισμούς στο σώμα και στα μάτια.
- ▶ Η σκόνη, η οποία σχηματίζεται κατά τη λείανση, το γυαλοχαρτάρισμα, την κοπή και τη διάτρηση ενδέχεται να περιέχει επικίνδυνες χημικές ουσίες. Ορισμένα παραδείγματα είναι: Μόλυβδος ή χρώματα με βάση μόλυβδο, Τούβλα, μπετόν και άλλα προϊόντα τοιχοποιίας, φυσικές πέτρες και άλλα προϊόντα που περιέχουν πυρίτιο, Συγκεκριμένα ξύλα, όπως δρυς, οξιά και χημικά επεξεργασμένα ξύλα, Αμιάντος ή υλικά που περιέχουν αμιάντο. Προσδιορίστε την έκθεση του χειριστή και των παρακειμένων προσώπων από την κατηγορία κινδύνου των υλικών, με τα οποία εργάζεστε. Λάβετε τα αναγκαία μέτρα για τη διατήρηση της έκθεσης σε ένα ασφαλές επίπεδο, όπως π.χ. χρησιμοποιώντας ένα σύστημα συλλογής σκόνης ή μια κατάλληλη μάσκα προστασίας της αναπνοής. Στα γενικά μέτρα για τη μείωση της έκθεσης ανήκουν τα εξής:
  - ▶ Εργασία σε μια περιοχή με καλό αερισμό,
  - ▶ Αποφυγή παρατεταμένης επαφής με σκόνη,
  - ▶ Καθοδήγηση σκόνης μακριά από το πρόσωπο και το σώμα,
  - ▶ Χρήση προστατευτικής ένδυσης και πλύσιμο των εκτεθειμένων περιοχών με νερό και σαπούνι.
- ▶ Κίνδυνος τραυματισμού από πτώση εξαρτημάτων ή/και αξεσουάρ. Ελέγχετε πριν από την έναρξη της εργασίας, ότι η επαναφορτιζόμενη μπαταρία και τα τοποθετημένα αξεσουάρ είναι στερεωμένα με ασφάλεια.
- ▶ Θέτετε το προϊόν σε λειτουργία μόνο, όταν το έχετε φέρει σε θέση εργασίας.
- ▶ Κρατάτε το προϊόν πάντα από τις προβλεπόμενες χειρολαβές. Διατηρείτε τις χειρολαβές στεγνές και καθαρές.
- ▶ Κάνετε συχνά διαλείμματα και ασκήσεις για καλύτερη αιμάτωση των δακτύλων σας. Σε παρατεταμένη εργασία ενδέχεται να προκληθούν από έντονους κραδασμούς προβλήματα σε αιμοφόρα αγγεία ή στο νευρικό σύστημα στα δάχτυλα, στα χέρια ή στις αρθρώσεις των χεριών.
- ▶ Μην κοιτάτε κατευθείαν στον φωτισμό (LED) και μην φωτίζετε το πρόσωπο άλλων. Υπάρχει κίνδυνος θάμβωσης!
- ▶ Περιμένετε μέχρι να σταματήσει το προϊόν, πριν το αποθέσετε.
- ▶ Φοράτε προστατευτικά γάντια κατά την αντικατάσταση του εξαρτήματος. Η επαφή με το εξάρτημα μπορεί να προκαλέσει τραυματισμό από κοπή και εγκαύματα!

### Ειδίκες υποδείξεις για την ασφάλεια για σέγκες

- ▶ Καθοδηγείτε κατά την κοπή το προϊόν πάντα μακριά από σώμα σας.
- ▶ Ποτέ μην τοποθετείτε τα χέρια σας μπροστά ή κοντά στην πριονόλαμα.
- ▶ Μην κόβετε σε άγνωστα υποστρώματα και διατηρείτε απαλλαγμένο από εμπόδια το σημείο κοπής επάνω και κάτω.
- ▶ Μην βάζετε τα χέρια σας κάτω από το αντικείμενο κατά την κοπή.

## 2.4 Επιμελής χειρισμός και χρήση επαναφορτιζόμενων μπαταριών

- ▶ **Προσέξτε τις ακόλουθες υποδείξεις ασφαλείας για τον ασφαλή χειρισμό και τη χρήση επαναφορτιζόμενων μπαταριών Li-Ion.** Από τυχόν παράβλεψη μπορεί να προκληθούν δερματικοί ερεθισμοί, σοβαροί διαβρωτικοί τραυματισμοί, χημικά εγκαύματα, φωτιά ή/και εκρήξεις.
- ▶ Χρησιμοποιείτε επαναφορτιζόμενες μπαταρίες μόνο σε τεχνικά άφογη κατάσταση.
- ▶ Χειρίζεστε σχολαστικά τις επαναφορτιζόμενες μπαταρίες, για να αποφύγετε ζημιές και την έξοδο υγρών πολύ επιβλαβών για την υγεία σας!
- ▶ Δεν επιτρέπεται σε καμία περίπτωση η μετατροπή ή η παραποίηση των επαναφορτιζόμενων μπαταριών!
- ▶ Δεν επιτρέπεται να αποσυναρμολογείτε, να συμπιέζετε, να θερμαίνετε πάνω από τους 80 °C (176 °F) ή να καίτε τις επαναφορτιζόμενες μπαταρίες.



- ▶ Μην χρησιμοποιείτε ή φορτίζετε επαναφορτιζόμενες μπαταρίες, οι οποίες έχουν δεχτεί χτύπημα ή έχουν υποστεί ζημιά με διαφορετικό τρόπο. Ελέγχετε τακτικά τις επαναφορτιζόμενες μπαταρίες για σημάδια ζημιάς.
- ▶ Μην χρησιμοποιείτε ποτέ ανακυκλωμένες ή επισκευασμένες επαναφορτιζόμενες μπαταρίες.
- ▶ Μην χρησιμοποιείτε την επαναφορτιζόμενη μπαταρία ή ένα επαναφορτιζόμενο ηλεκτρικό εργαλείο ποτέ ως κρουστικό εργαλείο.
- ▶ Μην εκθέτετε ποτέ τις επαναφορτιζόμενες μπαταρίες σε άμεση ηλιακή ακτινοβολία, αυξημένη θερμοκρασία, σπινθήρες ή γυμνές φλόγες. Μπορεί να προκληθούν εκρήξεις.
- ▶ Μην ακουμπάτε τους πόλους της μπαταρίας με τα δάχτυλα, με εργαλεία, κοσμήματα ή άλλα ηλεκτρικά αγωγίμα αντικείμενα. Έτσι μπορεί να προκληθεί ζημιά στην επαναφορτιζόμενη μπαταρία, καθώς και υλικές ζημιές και τραυματισμοί.
- ▶ Κρατάτε τις επαναφορτιζόμενες μπαταρίες μακριά από βροχή, υγρασία και υγρά. Η εισχώρηση υγρασίας μπορεί να προκαλέσει βραχυκυκλώματα, ηλεκτροπληξία, εγκαύματα, φωτιά και εκρήξεις.
- ▶ Χρησιμοποιείτε μόνο τους φορτιστές και τα ηλεκτρικά εργαλεία που προβλέπονται για αυτόν τον τύπο μπαταρίας. Προσέξτε σχετικά τα στοιχεία στις αντίστοιχες οδηγίες χρήσης.
- ▶ Μην χρησιμοποιείτε ή αποθηκεύετε την επαναφορτιζόμενη μπαταρία σε εκρήξιμα περιβάλλοντα.
- ▶ Εάν η μπαταρία καίει υπερβολικά όταν την ακουμπάτε, ενδέχεται να έχει υποστεί ζημιά. Τοποθετήστε την μπαταρία σε ένα σημείο στο οποίο έχετε ορατότητα, μη εύφλεκτο και με επαρκή απόσταση από εύφλεκτα υλικά. Αφήστε την επαναφορτιζόμενη μπαταρία να κρυώσει. Εάν η μπαταρία εξακολουθεί να καίει υπερβολικά μετά από μία ώρα όταν την ακουμπάτε, τότε έχει υποστεί ζημιά. Απευθυνθείτε στο σέρβις της **Hilti** ή διαβάστε το έγγραφο "Υποδείξεις για την ασφάλεια και τη χρήση για επαναφορτιζόμενες μπαταρίες Li-Ion **Hilti**".

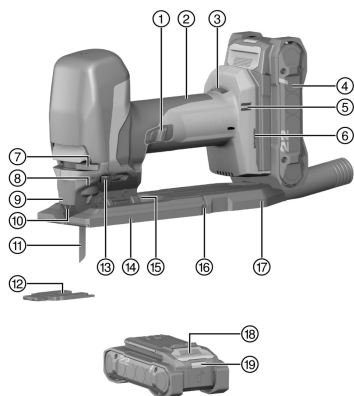


Προσέξτε τις ειδικές οδηγίες που ισχύουν για τη μεταφορά, την αποθήκευση και τη χρήση επαναφορτιζόμενων μπαταριών ιόντων λιθίου. 170

Διαβάστε τις υποδείξεις για την ασφάλεια και τη χρήση για επαναφορτιζόμενες μπαταρίες Li-Ion **Hilti**, τις οποίες θα βρείτε σαρώνοντας τον κωδικό QR στο τέλος αυτών των οδηγιών χρήσης.

### 3 Περιγραφή

#### 3.1 Συνοπτική παρουσίαση προϊόντος



- ① Διακόπτης on/off
- ② Χειρολαβή
- ③ Περιστροφικός διακόπτης για ρύθμιση αριθμού εμβολισμών
- ④ Επαναφορτιζόμενη μπαταρία
- ⑤ Σχισμές αερισμού
- ⑥ Άνοιγμα τοποθέτησης για αξεσουάρ
- ⑦ Μοχλός για απασφάλιση πριονόλαμας
- ⑧ Τσोक
- ⑨ Κάλυμμα
- ⑩ Προστατευτικό επαφής
- ⑪ Πριονόλαμα
- ⑫ Προστατευτικό απόσχισης σκλήθρων
- ⑬ Μοχλό για ρυθμίσεις παλινδρόμησης
- ⑭ Πέλμα βάσης
- ⑮ Κλίμακα για ρύθμιση φалтsoγωνιάς
- ⑯ Άγκιστρο ασφάλισης
- ⑰ Προσαρμογέας αναρρόφησης
- ⑱ Πλήκτρο απασφάλισης επαναφορτιζόμενης μπαταρίας
- ⑲ Ένδειξη κατάστασης μπαταρίας

#### 3.2 Κατάλληλη χρήση

Το προϊόν που περιγράφεται είναι μια καθοδηγούμενη με το χέρι επαναφορτιζόμενη σέγα. Προορίζεται για την κοπή πλαστικών, ξύλων, μετάλλων καθώς και γυψοσανίδων και ινοσανίδων.





Το προϊόν εφοδιάζεται με ένα αποσπώσιμο στόμιο σύνδεσης για προαιρετική ηλεκτρική σκούπα, που είναι σχεδιασμένο για τους συνήθεις σωλήνες ηλεκτρικής σκούπας. Για τη σύνδεση του εύκαμπτου σωλήνα αναρρόφησης με το προϊόν, ενδέχεται να είναι απαραίτητος ένας κατάλληλος αντάπτορας.

- Χρησιμοποιείτε για αυτό το προϊόν μόνο επαναφορτιζόμενες μπαταρίες Li-Ion **Hilti** Nuron της σειράς τύπου B 22. Για ιδανική απόδοση, η **Hilti** προτείνει για αυτό το προϊόν τις επαναφορτιζόμενες μπαταρίες που αναφέρονται στον πίνακα στο τέλος αυτών των οδηγιών χρήσης.
- Χρησιμοποιείτε για αυτές τις επαναφορτιζόμενες μπαταρίες μόνο φορτιστές **Hilti** των σειρών τύπου που αναφέρονται στον πίνακα στο τέλος αυτών των οδηγιών χρήσης.
- Χρησιμοποιείτε για αυτό το προϊόν μόνο πριονόλαμες με απόληξη T (απόληξη μονού εκκέντρου).

### 3.3 Πιθανή λανθασμένη χρήση

- Δεν επιτρέπεται να χρησιμοποιείτε το προϊόν για το κόψιμο κλαδιών και κορμών δένδρων.
- Δεν επιτρέπεται να χρησιμοποιείτε το προϊόν για την κατεργασία υλικών επικίνδυνων για την υγεία.
- Δεν επιτρέπεται να χρησιμοποιείτε το προϊόν για εργασίες σε υγρό περιβάλλον.

### 3.4 Ενδείξεις της επαναφορτιζόμενης μπαταρίας Li-Ion

Στις επαναφορτιζόμενες μπαταρίες Li-Ion **Hilti** Nuron υπάρχει η δυνατότητα προβολής της κατάστασης φόρτισης, μηνυμάτων σφάλματος και της κατάστασης της επαναφορτιζόμενης μπαταρίας.

#### 3.4.1 Ενδείξεις για κατάσταση φόρτισης και μηνύματα σφάλματος



#### ΠΡΟΕΙΔΟΠΟΙΗΣΗ

##### Κίνδυνος τραυματισμού από πτώση της μπαταρίας!

- ▶ Όταν είναι τοποθετημένη η επαναφορτιζόμενη μπαταρία, βεβαιωθείτε αφού πατήσετε το πλήκτρο απασφάλισης, ότι θα κουμπώσετε ξανά καλά την επαναφορτιζόμενη μπαταρία στο προϊόν που χρησιμοποιείτε.

Για να δείτε κάποια από τις ακόλουθες ενδείξεις, πατήστε σύντομα το πλήκτρο απασφάλισης της επαναφορτιζόμενης μπαταρίας.

Η κατάσταση φόρτισης καθώς και οι πιθανές βλάβες εμφανίζονται επίσης μόνιμα, όσο είναι ενεργοποιημένο το συνδεδεμένο προϊόν.

Κατάσταση	Σημασία
Τέσσερα (4) LED ανάβουν μόνιμα πράσινα	Κατάσταση φόρτισης: 100 % έως 71 %
Τρία (3) LED ανάβουν μόνιμα πράσινα	Κατάσταση φόρτισης: 70 % έως 51 %
Δύο (2) LED ανάβουν μόνιμα πράσινα	Κατάσταση φόρτισης: 50 % έως 26 %
Ένα (1) LED ανάβει μόνιμα πράσινο	Κατάσταση φόρτισης: 25 % έως 10 %
Ένα (1) LED αναβοσβήνει αργά πράσινο	Κατάσταση φόρτισης: < 10 %
Ένα (1) LED αναβοσβήνει γρήγορα πράσινο	Η επαναφορτιζόμενη μπαταρία Li-Ion είναι τελείως αποφορτισμένη. Φορτίστε την επαναφορτιζόμενη μπαταρία. Εάν το LED εξακολουθεί να αναβοσβήνει γρήγορα μετά τη φόρτιση της επαναφορτιζόμενης μπαταρίας, απευθυνθείτε στο σέρβις της <b>Hilti</b> .
Ένα (1) LED αναβοσβήνει γρήγορα κίτρινο	Η επαναφορτιζόμενη μπαταρία Li-Ion ή το συνδεδεμένο με αυτή προϊόν έχουν υπερφορτωθεί, έχουν πολύ υψηλή ή πολύ χαμηλή θερμοκρασία ή υπάρχει κάποια άλλη βλάβη. Φέρτε το προϊόν και την επαναφορτιζόμενη μπαταρία στην προτεινόμενη θερμοκρασία λειτουργίας και μην υπερκαταπονείτε το προϊόν κατά τη χρήση του. Εάν εξακολουθεί να υπάρχει το μήνυμα, απευθυνθείτε στο σέρβις της <b>Hilti</b> .
Ένα (1) LED ανάβει κίτρινο	Η επαναφορτιζόμενη μπαταρία Li-Ion και το συνδεδεμένο με αυτή προϊόν δεν είναι συμβατά. Απευθυνθείτε στο σέρβις της <b>Hilti</b> .



Κατάσταση	Σημασία
Ένα (1) LED αναβοσβήνει γρήγορα κόκκινο	Η επαναφορτιζόμενη μπαταρία Li-Ion είναι κλειδωμένη και δεν μπορεί να χρησιμοποιηθεί άλλο. Απευθυνθείτε στο σέρβις της <b>Hilti</b> .

### 3.4.2 Ενδείξεις για την κατάσταση της επαναφορτιζόμενης μπαταρίας

Για να ελέγξετε την κατάσταση της επαναφορτιζόμενης μπαταρίας, κρατήστε πατημένο το πλήκτρο απασφάλισης για περισσότερα από τρία δευτερόλεπτα. Το σύστημα δεν αναγνωρίζει μια πιθανή δυσλειτουργία της μπαταρίας λόγω κακής χρήσης, όπως π.χ. πτώση, τρυπήματα, εξωτερικές ζημιές από υψηλή θερμοκρασία κτλ.

Κατάσταση	Σημασία
Όλα τα LED ανάβουν κυλιόμενα και στη συνέχεια το ένα (1) LED ανάβει μόνιμα πράσινο.	Είναι δυνατή η συνέχιση της χρήσης της επαναφορτιζόμενης μπαταρίας.
Όλα τα LED ανάβουν κυλιόμενα και στη συνέχεια το ένα (1) LED αναβοσβήνει γρήγορα κίτρινο.	Δεν ήταν δυνατή η ολοκλήρωση του ελέγχου για την κατάσταση της επαναφορτιζόμενης μπαταρίας. Επαναλάβετε τη διαδικασία ή απευθυνθείτε στο σέρβις της <b>Hilti</b> .
Όλα τα LED ανάβουν κυλιόμενα και στη συνέχεια το ένα (1) LED ανάβει μόνιμα κόκκινο.	Εάν εξακολουθεί να μπορεί να χρησιμοποιηθεί ένα συνδεδεμένο προϊόν, η υπολειπόμενη χωρητικότητα της μπαταρίας είναι κάτω από 50%. Εάν δεν μπορεί να χρησιμοποιηθεί πλέον ένα συνδεδεμένο προϊόν, η επαναφορτιζόμενη μπαταρία έχει φτάσει στο τέλος της διάρκειας ζωής της και θα πρέπει να αντικατασταθεί. Απευθυνθείτε στο σέρβις της <b>Hilti</b> .

### 3.5 Σύστημα εξαγωγής ρινισμάτων με φύσημα

Το σύστημα εξαγωγής ρινισμάτων με φύσημα κατευθύνει ένα ρεύμα αέρα προς την πριονόλαμα, για να διατηρείται ελεύθερη η γραμμή κοπής από ρινίσματα.

### 3.6 Αριθμός εμβολισμών

Ο αριθμός εμβολισμών μπορεί να ρυθμιστεί με τον περιστροφικό διακόπτη. Η θέση 1 αντιστοιχεί σε 800 εμβολισμούς ανά λεπτό και η θέση 6 σε 3000 εμβολισμούς ανά λεπτό.

### 3.7 Παλινδρόμηση 4 επιπέδων

Με την παλινδρόμηση 4 επιπέδων, υπάρχει η δυνατότητα προσαρμογής της απόδοσης κοπής και της εμφάνισης στο υλικό που υποβάλλεται σε επεξεργασία. Με τον μοχλό για τη ρύθμιση της παλινδρόμησης υπάρχει η δυνατότητα εναλλαγής των 4 επιπέδων.

Όσο πιο καθαρή και λεπτομερής θέλετε να γίνει η ακμή κοπής, τόσο μικρότερο επίπεδο παλινδρόμησης πρέπει να επιλέγετε. Με δοκιμές στην πράξη μπορείτε να βρείτε την ιδανική ρύθμιση.

Κατάσταση	Σημασία
Επίπεδο 0	χωρίς παλινδρόμηση
Επίπεδο 1	μικρή παλινδρόμηση
Επίπεδο 2	μεσαία παλινδρόμηση
Επίπεδο 3	Μεγάλη παλινδρόμηση

### 3.8 Προστατευτικό απόσχισης σκλήθρων

Το προϊόν μπορεί να είναι εξοπλισμένο με ένα προστατευτικό απόσχισης σκλήθρων.

Με το προστατευτικό απόσχισης σκλήθρων αποτρέπεται η απόσχιση της επιφάνειας υλικών ξύλου κατά την κοπή.



### 3.9 Αυτόματη απενεργοποίηση του προϊόντος

Όταν ο διακόπτης on / off είναι πατημένος για περισσότερα από 15 λεπτά (π.χ. κατά τη μεταφορά ή την αποθήκευση), το προϊόν απενεργοποιείται αυτόματα. Με αυτόν τον τρόπο αποτρέπεται η βαθιά εκφόρτιση της επαναφορτιζόμενης μπαταρίας.

### 3.10 Έκταση παράδοσης

Παλμική σέγα, κάλυμμα, προσαρμογέας αναρρόφησης, προστατευτικό απόσχισης σκλήθρων, οδηγίες χρήσης, κλειδί άλεν.

Περισσότερα, εγκεκριμένα για το προϊόν σας συστήματα θα βρείτε στο **Hilti Store** ή online στη διεύθυνση: [www.hilti.group](http://www.hilti.group)

## 4 Τεχνικά χαρακτηριστικά

### 4.1 Παλμική σέγα

	<b>SJT 6-22</b>
Γενιά προϊόντος	02
Ονομαστική τάση	21,6 V
Βάρος κατά EPTA Procedure 01 χωρίς επαναφορτιζόμενη μπαταρία	2,1 kg
Ύψος εμβολισμού	28 mm
Αριθμός εμβολισμών χωρίς φορτίο (n <sub>0</sub> )	800/min ... 3.000/min
Μέγιστη απόδοση κοπής σε ξύλο	150 mm
Μέγιστη απόδοση κοπής σε αλουμίνιο	25 mm
Μέγιστη απόδοση κοπής σε μη κραματοποιημένο χάλυβα	10 mm
Γωνία κοπής (αριστερά/δεξιά)	0° ... 45°
Εξωτερική διάμετρος προσαρμογέα αναρρόφησης	27,5 mm
Θερμοκρασία αποθήκευσης	-20 °C ... 70 °C
Θερμοκρασία περιβάλλοντος κατά τη λειτουργία	-17 °C ... 60 °C

### 4.2 Πληροφορίες θορύβου και τιμές κραδασμών

Οι αναφερόμενες στις παρούσες οδηγίες τιμές ηχητικής πίεσης και κραδασμών έχουν μετρηθεί σύμφωνα με μια τυποποιημένη μέθοδο μέτρησης και μπορούν να χρησιμοποιηθούν για τη σύγκριση μεταξύ ηλεκτρικών εργαλείων. Είναι επίσης κατάλληλες για πρόχειρη εκτίμηση των εκθέσεων.

Τα αναφερόμενα στοιχεία αντιπροσωπεύουν τις κύριες εφαρμογές του ηλεκτρικού εργαλείου. Εάν ωστόσο το ηλεκτρικό εργαλείο χρησιμοποιηθεί σε άλλες εφαρμογές, με διαφορετικά εξαρτήματα ή με ελλιπή συντήρηση, ενδέχεται να διαφέρουν τα στοιχεία. Το γεγονός αυτό μπορεί να αυξήσει σημαντικά τις εκθέσεις σε όλη τη διάρκεια του χρόνου εργασίας.

Για μια ακριβή εκτίμηση της έκθεσης θα πρέπει να συνυπολογίζονται και οι χρόνοι, στους οποίους είναι απενεργοποιημένο το ηλεκτρικό εργαλείο ή λειτουργεί μεν, αλλά δεν χρησιμοποιείται πραγματικά. Το γεγονός αυτό μπορεί να μειώσει σημαντικά τις εκθέσεις σε όλη τη διάρκεια του χρόνου εργασίας.

Καθορίστε πρόσθετα μέτρα ασφαλείας για την προστασία του χρήστη από την επίδραση του θορύβου και/ή των κραδασμών, όπως για παράδειγμα: Συντήρηση ηλεκτρικού εργαλείου και εξαρτημάτων, διατήρηση χεριών σε κανονική θερμοκρασία, οργάνωση των σταδίων εργασίας.



Αναλυτικές πληροφορίες για τις εκδόσεις του **EN 62841** που εφαρμόζονται εδώ θα βρείτε στο αντίγραφο της δήλωσης συμμόρφωσης 252.

### Τιμές εκπομπής θορύβου

	<b>SJT 6-22</b>
Επίπεδο στάθμης ήχου (L <sub>WA</sub> )	99 dB(A)
Ανακρίβεια επιπέδου στάθμης ήχου (K <sub>WA</sub> )	5 dB(A)
Στάθμη θορύβου (L <sub>pA</sub> )	91 dB(A)
Ανακρίβεια επιπέδου ηχητικής πίεσης (K <sub>pA</sub> )	5 dB(A)



**Συνολικές τιμές κραδασμών**

		<b>SJT 6-22</b>
Τιμή κραδασμών Κοπή νοβοπάν (a <sub>n,B</sub> )	<b>B 22-55</b>	5,2 m/s <sup>2</sup>
	<b>B 22-255</b>	5,3 m/s <sup>2</sup>
Τιμή κραδασμών για κοπή μεταλλικών λαμαρινών (a <sub>n,M</sub> )	<b>B 22-55</b>	8,5 m/s <sup>2</sup>
	<b>B 22-255</b>	7,2 m/s <sup>2</sup>
<b>Ανακρίβεια (K)</b>		1,5 m/s <sup>2</sup>

**4.3 Επαναφορτιζόμενη μπαταρία**

<b>Τάση λειτουργίας επαναφορτιζόμενης μπαταρίας</b>	21,6 V
<b>Βάρος επαναφορτιζόμενης μπαταρίας</b>	Βλέπε στο τέλος αυτών των οδηγιών χρήσης
<b>Θερμοκρασία περιβάλλοντος κατά τη λειτουργία</b>	-17 °C ... 60 °C
<b>Θερμοκρασία αποθήκευσης</b>	-20 °C ... 40 °C
<b>Θερμοκρασία μπαταρίας στην έναρξη φόρτισης</b>	-10 °C ... 45 °C

**5 Προετοιμασία εργασίας**
**ΠΡΟΕΙΔΟΠΟΙΗΣΗ**
**Κίνδυνος τραυματισμού από ακούσια έναρξη λειτουργίας!**

- ▶ Βεβαιωθείτε ότι το σχετικό προϊόν είναι εκτός λειτουργίας, πριν τοποθετήσετε την επαναφορτιζόμενη μπαταρία.
- ▶ Αφαιρέστε την μπαταρία, πριν πραγματοποιήσετε ρυθμίσεις στο εργαλείο ή αντικαταστήσετε αξεσουάρ.

Προσέξτε τις υποδείξεις ασφαλείας και προειδοποίησης στην παρούσα τεκμηρίωση και στο προϊόν.

**5.1 Φορτίστε την μπαταρία**

1. Διαβάστε πριν από τη φόρτιση τις οδηγίες χρήσης του φορτιστή.
2. Βεβαιωθείτε ότι οι επαφές της επαναφορτιζόμενης μπαταρίας και του φορτιστή είναι καθαρές και στεγνές.
3. Φορτίστε την επαναφορτιζόμενη μπαταρία σε έναν εγκεκριμένο φορτιστή. 162

**5.2 Τοποθέτηση μπαταρίας**
**ΠΡΟΕΙΔΟΠΟΙΗΣΗ**
**Κίνδυνος τραυματισμού από βραχυκύκλωμα ή πτώση της μπαταρίας!**

- ▶ Βεβαιωθείτε ότι δεν υπάρχουν ξένα αντικείμενα στις επαφές στην μπαταρία και στις επαφές στο προϊόν, πριν τοποθετήσετε την επαναφορτιζόμενη μπαταρία.
  - ▶ Βεβαιωθείτε ότι η επαναφορτιζόμενη μπαταρία κουμπώνει πάντα σωστά.
1. Φορτίζετε πλήρως την μπαταρία πριν από την πρώτη θέση σε λειτουργία.
  2. Εισάγετε την επαναφορτιζόμενη μπαταρία στο προϊόν, μέχρι να κουμπώσει με χαρακτηριστικό ήχο.
  3. Βεβαιωθείτε ότι εδράζει καλά η μπαταρία.

**5.3 Αφαίρεση επαναφορτιζόμενης μπαταρίας**

1. Πατήστε το πλήκτρο απασφάλισης της επαναφορτιζόμενης μπαταρίας.
2. Τραβήξτε την μπαταρία από το προϊόν.

**5.4 Τοποθέτηση δίσκου** 

1. Πιέστε την πριονόλαμα (δόντια προς την κατεύθυνση κοπής) στο τσοκ μέχρι να κουμπώσει.
2. Ελέγξτε εάν έχει ασφαλίσει σωστά η πριονόλαμα, τραβώντας την.



## 5.5 Τοποθέτηση καλύμματος 3

- ▶ Ωθήστε το κάλυμμα από μπροστά στο προϊόν, μέχρι να κουμπώσει.



Το κάλυμμα μπορεί να τοποθετηθεί μόνο, όταν το πέλμα βάσης βρίσκεται στην κανονική θέση (γωνία κοπής 0°). ➔ 168

## 5.6 Τοποθέτηση προσαρμογέα αναρρόφησης 4

1. Ωθήστε τον προσαρμογέα αναρρόφησης από πίσω οριζόντια στο πέλμα βάσης, μέχρι να κουμπώσουν στο πλάι τα δύο άγκιστρα ασφάλισης.
2. Συνδέστε τον εύκαμπτο σωλήνα της ηλεκτρικής σκούπας στον προσαρμογέα αναρρόφησης.

## 5.7 Τοποθέτηση προστατευτικού απόσχισης σκλήθρων 5

- ▶ Πιέστε το προστατευτικό απόσχισης σκλήθρων από κάτω στο πέλμα βάσης.



Το προστατευτικό απόσχισης σκλήθρων μπορεί να χρησιμοποιηθεί μόνο με προβλεπόμενες για τον σκοπό αυτό προιόντα μας.

Το προστατευτικό απόσχισης σκλήθρων μπορεί να χρησιμοποιηθεί μόνο, όταν το πέλμα βάσης βρίσκεται στην κανονική θέση (γωνία κοπής 0°). ➔ 168

## 5.8 Ασφάλεια από πτώση



### ΠΡΟΕΙΔΟΠΟΙΗΣΗ

**Κίνδυνος τραυματισμού** από πτώση του εξαρτήματος και/ή αξεσουάρ!

- ▶ Χρησιμοποιείτε μόνο το προτεινόμενο για το προϊόν σας κορδόνι συγκράτησης εργαλείων **Hilti**.
- ▶ Πριν από τη χρήση, ελέγχετε το σημείο στερέωσης του κορδονιού συγκράτησης εργαλείων για πιθανές ζημιές.
- ▶ Μην στερεώνετε κορδόνι συγκράτησης εργαλείων στο άγκιστρο ζώνης. Μην χρησιμοποιείτε ένα άγκιστρο ζώνης για την ανύψωση του προϊόντος.



Προσέξτε τις εθνικές οδηγίες για εργασίες σε ύψος.

Χρησιμοποιείτε ως ασφάλεια πτώσης για αυτό το προϊόν αποκλειστικά και μόνο έναν συνδυασμό από την ασφάλεια πτώσης **Hilti** με το κορδόνι συγκράτησης εργαλείων **Hilti** #2261970.

- ▶ Στερεώστε την ασφάλεια πτώσης στα ανοίγματα τοποθέτησης για αξεσουάρ. Ελέγξτε ότι συγκρατείται καλά.
- ▶ Στερεώστε ένα караμπίνер του κορδονιού συγκράτησης εργαλείων στην ασφάλεια πτώσης και το δεύτερο караμπίνер σε μια φέρουσα δομική κατασκευή. Ελέγξτε την ασφαλή στερέωση των δύο караμπίνер.



Προσέξτε τις οδηγίες χρήσης της ασφαλείας πτώσης **Hilti** καθώς και του κορδονιού συγκράτησης εργαλείων **Hilti**.

## 6 Χειρισμός

Προσέξτε τις υποδείξεις ασφαλείας και προειδοποίησης στην παρούσα τεκμηρίωση και στο προϊόν.

### 6.1 Χρήση συστήματος αναρρόφησης σκόνης




Η αναρρόφηση σκόνης μειώνει την επιβάρυνση από τη σκόνη, αυξάνει την ασφάλεια κατά την εργασία λόγω καλύτερης ορατότητας στην τομή και εμποδίζει μεγάλες επιβαρύνσεις του χώρου εργασίας από τη σκόνη και τα ρινίσματα.


1. Τοποθετήστε το κάλυμμα. ➔ 167
2. Χρησιμοποιείτε πάντα ένα σύστημα αναρρόφησης σκόνης, όταν πρόκειται να κόψετε για μεγάλο χρονικό διάστημα ξύλο ή υλικά, από τα οποία μπορούν να δημιουργηθούν μεγάλες συγκεντρώσεις σκόνης.



## 6.2 Ρύθμιση γωνίας κοπής

1. Αφαιρέστε τον προσαρμογέα αναρρόφησης.  168
2. Ξεβιδώστε τη βίδα στο πέλμα βάσης.
3. Ρυθμίστε την επιθυμητή γωνία κοπής (από 0° έως 45° προς τις δύο κατευθύνσεις).
  - ▶ Στη γωνία κοπής 0°, το πέλμα βάσης βρίσκεται σε μια θέση ασφαλή από περιστροφή. Για να μπορείτε να ρυθμίσετε μια γωνία κοπής, πρέπει να τραβήξετε πρώτα προς τα πίσω το πέλμα βάσης.
  - ▶ Όταν επαναφέρετε το πέλμα βάσης στη γωνία κοπής 0°, σπρώξτε στη συνέχεια ξανά προς τα εμπρός το πέλμα βάσης, για να το ασφαλίσετε στη θέση ασφαλή από περιστροφή.
4. Σφίξτε ξανά τη βίδα.
  - ▶ Το πέλμα βάσης είναι στερεωμένο.

## 6.3 Ενεργοποίηση

 Με μια λειτουργία ασφαλείας εξασφαλίζεται, ότι το προϊόν δεν τίθεται σε λειτουργία, όταν ενεργοποιείται πρώτα το προϊόν και μετά τοποθετείται η επαναφορτιζόμενη μπαταρία. Σπρώξτε προς τα πίσω και μετά ξανά προς τα εμπρός τον διακόπτη on/off.

- ▶ Σπρώξτε προς τα εμπρός τον διακόπτη on/off.

## 6.4 Κοπή με βύθιση

1. Γυρίστε το μοχλό για τη ρύθμιση της παλινδρόμησης στη θέση 0.
2. Εφαρμόστε το προϊόν με την μπροστινή ακμή του πέλματος βάσης στο προς επεξεργασία αντικείμενο.
3. Συγκρατήστε το προϊόν και πατήστε τον διακόπτη on/off.
4. Πιέστε το προϊόν δυνατά κόντρα στο αντικείμενο και βυθίστε το μειώνοντας τη γωνία εφαρμογής.
5. Αφού τρυπήσετε το αντικείμενο, φέρτε το προϊόν στην κανονική θέση εργασίας.
  - ▶ Το πέλμα βάσης εφαρμόζει σε ολόκληρη την επιφάνεια.
6. Συνεχίστε να κόβετε κατά μήκος της γραμμής κοπής.

## 6.5 Απενεργοποίηση

- ▶ Σπρώξτε τον διακόπτη on/off προς τα πίσω.

## 7 Αφαίρεση

### 7.1 Αφαίρεση προσαρμογέα αναρρόφησης

1. Πιέστε τα δύο άγκιστρα ασφάλισης προς τα μέσα.
2. Αφαιρέστε τον προσαρμογέα αναρρόφησης από το πέλμα βάσης τραβώντας τον προς τα πίσω.
3. Αποσυνδέστε τον εύκαμπο σωλήνα της ηλεκτρικής σκούπας από τον προσαρμογέα αναρρόφησης.

### 7.2 Αφαίρεση καλύμματος

- ▶ Λυγίστε ελαφρά το κάλυμμα και αφαιρέστε το τραβώντας το προς τα μπροστά.

### 7.3 Αφαίρεση πριονόλαμας

#### ΠΡΟΕΙΔΟΠΟΙΗΣΗ

**Κίνδυνος τραυματισμού.** Η ανεξέλεγκτη αφαίρεση της πριονόλαμας μπορεί να προκαλέσει τραυματισμούς.

- ▶ Κρατάτε το προϊόν κατά την εξαγωγή της πριονόλαμας έτσι ώστε να μην τραυματιστούν πρόσωπα ή ζώα από την εξαγωγή της πριονόλαμας.

- ▶ Ανοιξτε τον μοχλό για την απασφάλιση της πριονόλαμας προς το πλάι μέχρι να τερματίσει.
  - ▶ Η πριονόλαμα αποσυνδέεται και εξέρχεται.



## 8 Φροντίδα και συντήρηση



### ΠΡΟΕΙΔΟΠΟΙΗΣΗ

#### Κίνδυνος τραυματισμού από τοποθετημένη μπαταρία !

- Πριν από κάθε εργασία φροντίδας και συντήρησης αφαιρείτε πάντα την μπαταρία!

#### Φροντίδα του προϊόντος

- Απομακρύνετε προσεκτικά τους ρύπους που έχουν επικαθίσει.
- Εφόσον υπάρχουν, καθαρίστε τις σχισμές αερισμού με μια στεγνή, μαλακή βούρτσα.
- Καθαρίζετε το περίβλημα μόνο με ένα ελαφρώς βρεγμένο πανί. Μην χρησιμοποιείτε υλικά φροντίδας με περιεκτικότητα σε σιλικόνη, διότι ενδέχεται να προσβάλλουν τα πλαστικά μέρη.
- Χρησιμοποιήστε ένα καθαρό, στεγνό πανί, για να καθαρίσετε τις επαφές του προϊόντος.

#### Φροντίδα επαναφορτιζόμενων μπαταριών Li-Ion

- Μην χρησιμοποιείτε ποτέ μια επαναφορτιζόμενη μπαταρία με βουλωμένες σχισμές αερισμού. Καθαρίζετε τις σχισμές αερισμού προσεκτικά με μια στεγνή, μαλακή βούρτσα.
- Αποφύγετε την άσκοπη έκθεση της επαναφορτιζόμενης μπαταρίας σε σκόνη ή ρύπους. Μην εκθέτετε ποτέ την επαναφορτιζόμενη μπαταρία σε μεγάλη υγρασία (π.χ. βύθιση σε νερό ή παραμονή σε βροχή). Εάν έχει βραχεί μια επαναφορτιζόμενη μπαταρία, αντιμετωπίστε τη όπως μια επαναφορτιζόμενη μπαταρία που έχει υποστεί ζημιά. Απομονώστε τη σε ένα μη εύφλεκτο δοχείο και απευθυνθείτε στο σέρβις της **Hilti**.
- Διατηρείτε την επαναφορτιζόμενη μπαταρία καθαρή από ξένα λάδια και γράσα. Μην επιτρέπετε να συγκεντρώνονται άσκοπα σκόνες ή ρύποι στην επαναφορτιζόμενη μπαταρία. Καθαρίζετε την επαναφορτιζόμενη μπαταρία με μια στεγνή, μαλακή βούρτσα ή ένα καθαρό, στεγνό πανί. Μην χρησιμοποιείτε υλικά φροντίδας με περιεκτικότητα σε σιλικόνη, διότι ενδέχεται να προσβάλλουν τα πλαστικά μέρη.  
Μην ακουμπάτε τις επαφές της επαναφορτιζόμενης μπαταρίας και μην απομακρύνετε από τις επαφές το εργοστασιακό γράσο.
- Καθαρίζετε το περίβλημα μόνο με ένα ελαφρώς βρεγμένο πανί. Μην χρησιμοποιείτε υλικά φροντίδας με περιεκτικότητα σε σιλικόνη, διότι ενδέχεται να προσβάλλουν τα πλαστικά μέρη.

#### Συντήρηση

- Ελέγχετε τακτικά όλα τα ορατά μέρη για τυχόν ζημιές και την άφογη λειτουργία όλων των χειριστηρίων.
- Μην χρησιμοποιείτε το προϊόν σε περίπτωση ζημιών ή/και δυσλειτουργιών. Αναθέστε άμεσα την επισκευή του προϊόντος στο σέρβις της **Hilti**.
- Μετά από εργασίες φροντίδας και συντήρησης, τοποθετήστε όλα τα συστήματα προστασίας και ελέγξτε την απρόσκοπτη λειτουργία τους.



Για μια ασφαλή λειτουργία χρησιμοποιείτε μόνο γνήσια ανταλλακτικά και αναλώσιμα. Εγκεκριμένα από τη **Hilti** ανταλλακτικά, αναλώσιμα και αξεσουάρ για το προϊόν σας θα βρείτε στο πλησιέστερο **Hilti Store** ή στη διεύθυνση: [www.hilti.group](http://www.hilti.group)

### 8.1 Καθαρισμός προσαρμογέα αναρρόφησης

1. Αφαιρέστε τον προσαρμογέα αναρρόφησης. 168
2. Καθαρίστε τον προσαρμογέα αναρρόφησης.
3. Ελέγξτε ότι είναι άθικτα τα άγκιστρα ασφάλισης.
4. Τοποθετήστε τον προσαρμογέα αναρρόφησης. 167

### 8.2 Καθαρισμός πριονόλαμων

1. Απορητίνωνετε τακτικά τις χρησιμοποιημένες πριονόλαμες.
2. Τοποθετήστε τις πριονόλαμες 24 ώρες σε πετρέλαιο ή προϊόν απορητίνωσης του εμπορίου.



## 9 Μεταφορά και αποθήκευση επαναφορτιζόμενων εργαλείων και επαναφορτιζόμενων μπαταριών

### Μεταφορά

#### ΠΡΟΣΟΧΗ

#### Ακούσια ενεργοποίηση κατά τη μεταφορά !

- ▶ Μεταφέρετε τα προϊόντα σας πάντα χωρίς τις μπαταρίες τοποθετημένες!
- ▶ Αφαιρέστε την/τις επαναφορτιζόμενες μπαταρίες.
- ▶ Μην μεταφέρετε επαναφορτιζόμενες μπαταρίες ποτέ χύδην. Κατά τη μεταφορά θα πρέπει οι επαναφορτιζόμενες μπαταρίες να προστατεύονται από υπερβολικές κρούσεις και δονήσεις και να απομονώνονται από κάθε είδους αγωγή υλική ή άλλες επαναφορτιζόμενες μπαταρίες, ώστε να μην έρθουν σε επαφή με άλλους πόλους μπαταριών και προκληθεί βραχυκύκλωμα. **Λάβετε υπόψη τις τοπικές προδιαγραφές μεταφοράς για επαναφορτιζόμενες μπαταρίες.**
- ▶ Δεν επιτρέπεται η αποστολή επαναφορτιζόμενων μπαταριών μέσω ταχυδρομείου. Απευθυνθείτε σε μια μεταφορική εταιρεία, όταν θέλετε να αποστείλετε άθικτες επαναφορτιζόμενες μπαταρίες.
- ▶ Ελέγχετε το προϊόν και τις επαναφορτιζόμενες μπαταρίες για τυχόν ζημιές πριν από κάθε χρήση καθώς και πριν και μετά από μεγαλύτερης διάρκειας μεταφορά.

### Αποθήκευση

#### ΠΡΟΕΙΔΟΠΟΙΗΣΗ

#### Ακούσια πρόκληση ζημιάς από ελαττωματικές μπαταρίες. !

- ▶ Αποθηκεύετε τα προϊόντα σας πάντα χωρίς τις μπαταρίες τοποθετημένες!
- ▶ Αποθηκεύετε τα προϊόν και τις επαναφορτιζόμενες μπαταρίες σε δροσερό και στεγνό χώρο. Προσέξτε τις οριακές τιμές θερμοκρασίας, που αναφέρονται στα τεχνικά χαρακτηριστικά.
- ▶ Μην φυλάτε επαναφορτιζόμενες μπαταρίες πάνω στον φορτιστή. Μετά τη διαδικασία φόρτισης, αφαιρείτε πάντα την επαναφορτιζόμενη μπαταρία από τον φορτιστή.
- ▶ Μην αποθηκεύετε ποτέ τις επαναφορτιζόμενες μπαταρίες στον ήλιο, πάνω σε πηγές θερμότητας ή πίσω από τζάμια.
- ▶ Αποθηκεύετε το προϊόν και τις επαναφορτιζόμενες μπαταρίες σε σημείο στο οποίο δεν έχουν πρόσβαση παιδιά και αναρμόδια άτομα.
- ▶ Ελέγχετε το προϊόν και τις επαναφορτιζόμενες μπαταρίες για τυχόν ζημιές πριν από κάθε χρήση καθώς και πριν και μετά από μεγαλύτερης διάρκειας αποθήκευση.

## 10 Βοήθεια για προβλήματα

Προσέχετε σε όλες τις βλάβες την ένδειξη κατάστασης φόρτισης και σφαλμάτων της επαναφορτιζόμενης μπαταρίας. Βλέπε κεφάλαιο **Ενδείξεις της επαναφορτιζόμενης μπαταρίας Li-Ion**.

Σε βλάβες που δεν αναφέρονται σε αυτόν τον πίνακα ή δεν μπορείτε να αποκαταστήσετε μόνοι σας, απευθυνθείτε στο σέρβις της **Hilti**.

Βλάβη	Πιθανή αιτία	Λύση
Η πριονόλαμα πέφτει έξω.	Η πριονόλαμα δεν έχει ασφαλίσει σωστά.	<ul style="list-style-type: none"> <li>▶ Επαναλάβετε τη διαδικασία σύσφιξης.</li> <li>▶ Βεβαιωθείτε ότι το τσοκ να είναι τελείως ανοιχτό και ότι πιέζετε την πριονόλαμα κόντρα στην αντίσταση.</li> </ul>
	Σύστημα σύσφιξης λερωμένο.	▶ Καθαρίστε το τσοκ.
Αδυναμία εισαγωγής πριονόλαμας.	Σύστημα σύσφιξης λερωμένο.	▶ Καθαρίστε το τσοκ.
Αδυναμία ρύθμισης παλινδρόμησης.	Εγκοπή του μοχλού παλινδρόμησης λερωμένη.	▶ Καθαρίστε την εγκοπή του μοχλού παλινδρόμησης από ακαθαρσίες.
Δεν λειτουργεί η παλινδρόμηση.	Μηχανισμός παλινδρόμησης λερωμένος.	▶ Ελέγξτε εάν υπάρχουν ακαθαρσίες στην περιοχή του δίχालου παλινδρόμησης και αφαιρέστε τις.





Βλάβη	Πιθανή αιτία	Λύση
Δεν λειτουργεί η παλινδρόμηση.	Ο μοχλός παλινδρόμησης βρίσκεται στη θέση "0".	► Ρυθμίστε την επιθυμητή τιμή.
Η μπαταρία αδειάζει πιο γρήγορα από ό,τι συνήθως.	Πολύ χαμηλή θερμοκρασία περιβάλλοντος.	► Αφήστε την μπαταρία να φτάσει σταδιακά σε θερμοκρασία δωματίου.
Η μπαταρία δεν κουμπώνει αισθητά κάνοντας "κλικ".	Η προεσοχή ασφάλισης στην μπαταρία είναι λερωμένη.	► Καθαρίστε την προεσοχή ασφάλισης και τοποθετήστε ξανά την μπαταρία.
Έντονη αύξηση θερμοκρασίας στο προϊόν ή στην επαναφορτιζόμενη μπαταρία.	Ηλεκτρική βλάβη	► Απενεργοποιήστε αμέσως το προϊόν, αφαιρέστε την επαναφορτιζόμενη μπαταρία, παρατηρήστε τη, αφήστε τη να κρυώσει και επικοινωνήστε με το σέρβις της <b>Hilti</b> .
Τα LED της μπαταρίας δεν δείχνουν τίποτε	Μπαταρία ελαττωματική	► Απευθυνθείτε στο σέρβις της <b>Hilti</b> .

## 11 Διάθεση στα απορρίμματα

### ΠΡΟΕΙΔΟΠΟΙΗΣΗ

**Κίνδυνος τραυματισμού από ακατάλληλη διάθεση στα απορρίμματα!** Κίνδυνοι για την υγεία από εξερχόμενα αέρια ή υγρά.

- Μην αποστέλλετε επαναφορτιζόμενες μπαταρίες που έχουν υποστεί ζημιά!
- Καλύψτε τις συνδέσεις με ένα μη αγώγιμο υλικό, για να αποφύγετε βραχυκυκλώματα.
- Πετάξτε τις μπαταρίες έτσι ώστε να μην μπορούν να καταλήξουν στα χέρια παιδιών.
- Απορρίψτε την μπαταρία στο **Hilti Store** ή απευθυνθείτε στην αρμόδια επιχείρηση διάθεσης απορριμμάτων.

Τα προϊόντα της **Hilti** είναι κατασκευασμένα σε μεγάλο ποσοστό από ανακυκλώσιμα υλικά. Προϋπόθεση για την ανακύκλωσή τους είναι ο κατάλληλος διαχωρισμός των υλικών. Σε πολλές χώρες, η **Hilti** παραλαμβάνει το παλιό σας εργαλείο για ανακύκλωση. Απευθυνθείτε στο σέρβις της **Hilti** ή στον σύμβουλο πωλήσεων.



- Μην πετάτε τα ηλεκτρικά εργαλεία, της ηλεκτρονικές συσκευές και τις επαναφορτιζόμενες μπαταρίες στον κάδο οικιακών απορριμμάτων!

## 12 Εγγύηση κατασκευαστή

- Για ερωτήσεις σχετικά με τους όρους εγγύησης απευθυνθείτε στον τοπικό συνεργάτη της **Hilti**.

## 13 Περισσότερες πληροφορίες

Περισσότερες πληροφορίες για τον χειρισμό, την τεχνολογία, το περιβάλλον και την ανακύκλωση θα βρείτε στον ακόλουθο σύνδεσμο: [qr.hilti.com/manual/?id=2264217&id=2264218](http://qr.hilti.com/manual/?id=2264217&id=2264218)


Στο τέλος αυτής της τεκμηρίωσης θα βρείτε αυτόν τον σύνδεσμο και ως κωδικό QR.



# Orijinal kullanım kılavuzu

## 1 Kullanım kılavuzu bilgileri

### 1.1 Bu kullanım kılavuzu hakkında

- **İkaz!** Ürünü kullanmadan önce, talimatlar, güvenlik ve uyarı bilgileri, çizimler ve teknik özellikler dahil olmak üzere ürünle birlikte verilen kullanım kılavuzunu okuduğunuzdan ve anladığınızdan emin olunuz. Özellikle tüm talimatları, güvenlik ve uyarı bilgilerini, çizimleri, teknik özellikleri ve bileşenleri ve fonksiyonları öğreniniz. Aksi takdirde elektrik çarpması, yangın ve/veya ciddi yaralanma tehlikesi meydana gelebilir. Tüm talimatlar, güvenlik ve uyarı bilgileri dahil olmak üzere kullanım kılavuzunu daha sonra kullanmak üzere saklayınız.
- **HILTI** ürünleri profesyonel kullanıcıların kullanımı için öngörülmüştür ve sadece yetkili personel tarafından kullanılabilir ve bakımı yapılabilir. Bu personel, meydana gelebilecek tehlikeler hakkında özel olarak eğitim görmüş olmalıdır. Aletin ve ilgili yardımcı gereçlerin eğitimsiz personel tarafından usulüne uygun olmayan şekilde kullanılması ve amaçları dışında çalıştırılması sonucu tehlikeli durumlar söz konusu olabilir.
- Ekteki kullanım kılavuzu, basım tarihindeki mevcut gelişmiş teknolojiye uygundur. En son sürümü her zaman Hilti ürün sayfasında bulabilirsiniz. Bunu yapmak için, bu kullanım kılavuzundaki  sembolü ile işaretlenmiş bağlantıyı veya QR kodunu kullanınız.
- Ürünü başkalarına sadece bu kullanım kılavuzuyla birlikte veriniz.

### 1.2 Resim açıklaması

#### 1.2.1 Uyarı bilgileri

Uyarı bilgileri, ürün ile çalışırken ortaya çıkabilecek tehlikelere karşı uyarır. Aşağıdaki uyarı metinleri kullanılır:

#### TEHLİKE

##### TEHLİKE !

- ▶ Ağır vücut yaralanmalarına veya doğrudan ölüme sebep olabilecek tehlikeler için.

#### İKAZ

##### İKAZ !

- ▶ Ağır yaralanmalara veya ölüme neden olabilecek tehlikeler için.







#### DİKKAT

##### DİKKAT !

- ▶ Vücut yaralanmalarına veya maddi hasarlara yol açabilecek olası tehlikeli durumlar için.


#### 1.2.2 Kullanım kılavuzundaki semboller

Bu kullanım kılavuzunda aşağıdaki semboller kullanılmıştır:


	Kullanım kılavuzuna dikkat edilmelidir
	Kullanım uyarıları ve diğer gerekli bilgiler
	Geri dönüşümlü malzemeler ile çalışma
	Elektrikli aletleri ve aküleri evdeki çöplere atmayınız
	<b>Hilti</b> Lityum İyon akü
	<b>Hilti</b> Şarj cihazı

#### 1.2.3 Resimlerdeki semboller

Resimlerde aşağıdaki semboller kullanılmıştır:

	Bu sayılar, kullanım kılavuzunun başlangıcındaki ilgili çizime atanmıştır.
---	--






3	Numaralandırma, resimdeki çalışma adımlarının sırasını göstermektedir ve metindeki çalışma adımlarından farklı olabilir.
11	Pozisyon numaraları <b>Genel bakış</b> resminde kullanılır ve <b>Ürüne genel bakış</b> bölümündeki açıklama numaralarına referans niteliğindedir.
	Bu işaret, ürün ile çalışırken dikkatinizi çekmek için koyulmuştur.

### 1.3 Ürüne bağlı semboller

#### 1.3.1 İlave semboller

Aşağıdaki semboller ek olarak bu dokümanda veya üründe kullanılabilir:

$n_0$	Yüksüz strok sayısı
---	Doğru akım
Li-Ion	Lityum İyon akü
	Ürün, iOS ve Android platformları ile uyumlu NFC teknolojisini destekler.
	Aküyü asla darbe aleti olarak kullanmayınız.
	Aküyü düşürmeyiniz. Darbe almış veya hasar görmüş bir aküyü kullanmayınız.

## 2 Güvenlik

### 2.1 Elektrikli el aletleri için genel güvenlik uyarıları

**⚠ İKAZ** Bu elektrikli el aletine yönelik tüm güvenlik uyarılarını, talimatları, resimli açıklamaları ve teknik verileri dikkatlice okuyunuz. Aşağıdaki talimatlara uyulmaması durumunda elektrik çarpması, yangın ve/veya ağır yaralanmalar söz konusu olabilir.

**Tüm güvenlik uyarılarını ve kullanım talimatlarını muhafaza ediniz.**

Güvenlik uyarılarında kullanılan "Elektrikli el aleti terimi, şebeke işletimli elektrikli el aletleri (şebeke kablosu ile) veya akü işletimli elektrikli el aletleri (şebeke kablosu olmadan) ile ilgilidir.

#### İş yeri güvenliği

- ▶ **Çalışma alanınızı temiz ve aydınlık tutunuz.** Düzensiz veya aydınlatma olmayan çalışma alanları kazalara yol açabilir.
- ▶ **Yanıcı sıvıların, gazların veya tozların bulunduğu patlama tehlikesi olan yerlerde elektrikli el aleti ile çalışmayınız.** Elektrikli el aletleri, toz veya buharı yakabilecek kıvılcım oluşturur.
- ▶ **Elektrikli el aletini kullanırken çocukları ve diğer kişileri uzak tutunuz.** Dikkatiniz dağılırsa aletin kontrolünü kaybedebilirsiniz.

#### Elektrik güvenliği

- ▶ **Elektrikli el aletin bağlantı fişi prize uygun olmalıdır. Fiş hiçbir şekilde değiştirilmemelidir. Adaptör fişini topraklama korumalı elektrikli el aletleri ile birlikte kullanmayınız.** Değiştirilmemiş fişler ve uygun prizler elektrik çarpması riskini azaltır.
- ▶ **Borular, radyatörler, fırınlar ve buzdolapları gibi toprağa temas eden üst yüzeylere vücudunuzla temas etmekten kaçınınız.** Vücudunuzun toprakla teması var ise yüksek bir elektrik çarpması riski söz konusudur.
- ▶ **Elektrikli el aletini yağmurdan veya ıslaklıktan uzak tutunuz.** Elektrikli el aletine su girmesi, elektrik çarpması riskini artırır.
- ▶ **Elektrikli el aletini taşımak, asmak veya fişi prizden çekmek için bağlantı kablosunu kullanım amacı dışında kullanmayınız. Bağlantı kablosunu sıcaktan, yağdan, keskin kenarlardan ve hareketli parçalardan uzak tutunuz.** Hasarlı veya dolanmış bağlantı kabloları elektrik çarpması riskini artırır.
- ▶ **Elektrikli bir el aleti ile açık alanda çalışacaksanız, sadece dışarıda kullanımına izin verilen uzatma kabloları kullanınız.** Dış mekanlar için uygun olan uzatma kablolarının kullanılması elektrik çarpması riskini azaltır.



- ▶ **Elektrikli el aleti işletiminin nemli ortamda yapılması kaçınılmaz ise bir kaçak akım koruma şalteri kullanınız.** Bir kaçak akım koruma şalterinin kullanımı elektrik çarpması riskini azaltır.

#### **Kişilerin güvenliği**

- ▶ **Dikkatli olunuz, ne yaptığınıza dikkat ediniz ve elektrikli el aleti ile mantıklı bir şekilde çalışınız.** Yorgunsanız veya uyuşturucu, alkol veya ilaç etkisi altında olduğunuzda elektrikli el aleti kullanmayınız. Elektrikli el aletini kullanırken bir anlık dikkatsizlik ciddi yaralanmalara neden olabilir.
- ▶ **Kişisel koruyucu donanım ve her zaman bir koruyucu gözlük takınız.** Elektrikli el aletinin türüne ve kullanımına göre toz maskesi, kaymayan güvenlik ayakkabısı, koruyucu kask veya kulaklık gibi kişisel koruyucu donanımların kullanılmasını yaralanma riskini azaltır.
- ▶ **İstem dışı çalışmayı önleyiniz. Güç kaynağına ve/veya aküyü bağlamadan, girişini yapmadan veya taşımadan önce elektrikli el aletinin kapalı olduğundan emin olunuz.** Elektrikli el aletini taşırken parmağınız şalterde ise veya alet açık konumda güç kaynağına takılırsa bu durum kazalara yol açabilir.
- ▶ **Elektrikli el aletini devreye almadan önce ayar aletlerini veya vidalama anahtarlarını çıkartınız.** Dönen bir alet parçasında bulunan bir alet veya anahtar yaralanmalara yol açabilir.
- ▶ **Aşırı bir vücut hareketinden sakınınız. Güvenli bir duruş sağlayınız ve her zaman dengeli tutunuz.** Böylece beklenmedik durumlarda elektrikli el aletini daha iyi kontrol edebilirsiniz.
- ▶ **Uygun kıyafetler giyiniz. Bol kıyafetler giymeyiniz veya takı takmayınız. Saçları, kıyafetleri ve eldivenleri hareket eden parçalardan uzak tutunuz.** Bol kıyafetler, takı veya uzun saçlar hareket eden parçalara takılabilir.
- ▶ **Toz emme ve tutma tertibatları monte edilebiliyorsa bunların bağlı olduğundan ve doğru kullanıldığından emin olunuz.** Bu toz emme tertibatının kullanımı tozdan kaynaklanabilecek tehlikeleri azaltabilir.
- ▶ **Kendi güvenliğinizi riske atmayınız ve elektrikli el aletleri kullanımında son derece tecrübeli olsanız bile ilgili güvenlik kurallarını ihlal etmeyiniz.** Dikkatsiz kullanım saniyeler içerisinde ciddi yaralanmalara neden olabilir.

#### **Elektrikli el aletinin kullanımı ve çalıştırılması**

- ▶ **Aleti çok fazla zorlamayın. Çalışmanız için uygun olan elektrikli el aletini kullanın.** Uygun elektrikli el aleti ile bildirilen hizmet alanında daha iyi ve güvenli çalışırsınız.
- ▶ **Şalteri bozuk olan elektrikli el aletini kullanmayınız.** Açılıp kapatılmayan bir elektrikli el aleti tehlikelidir ve tamir edilmesi gerekir.
- ▶ **Alet ayarlarını yapmadan, aksesuar parçalarını değiştirmeden veya aleti bir yere koymadan önce fişi prizden ve/veya (çıkarılabilir) aküyü aletten çıkarınız.** Bu önlem, elektrikli el aletinin istem dışı çalışmasını engeller.
- ▶ **Kullanılmayan elektrikli el aletlerini çocukların erişemeyeceği yerde muhafaza edin. Aleti iyi tanımayan veya bu talimatları okumamış kişilere aleti kullanırmayınız.** Elektrikli el aletleri bilgisiz kişiler tarafından kullanılırsa tehlikelidir.
- ▶ **Elektrikli el aletlerinin ve aksesuarlarının bakımını titizlikle yapınız. Hareketli parçaların kusursuz çalıştığı ve sıkışmadığı, parçaların kırılıp kırılmadığı veya hasar görüp görmediği, elektrikli el aleti fonksiyonlarının kısıtlanma durumlarını kontrol ediniz. Hasarlı parçaları aleti kullanmadan önce tamir ettiriniz.** Birçok kazanın nedeni bakımı kötü yapılan elektrikli el aletleridir.
- ▶ **Kesme aletlerini keskin ve temiz tutun.** Özenle bakımı yapılmış keskin bıçak kenarı olan kesme aletleri daha az sıkışır ve kullanımı daha rahattır.
- ▶ **Elektrikli el aletini, aksesuarları, ek aletleri vb. bu talimatlara göre kullanın. Çalışma şartlarını ve yapılacak işi de ayrıca göz önünde bulundurun.** Elektrikli el aletlerinin öngörülen kullanımı dışında kullanılması tehlikeli durumlara yol açabilir.
- ▶ **Tutamağı ve tutamak yüzeylerini daima temiz ve yağ ve gresten arındırılmış durumda tutunuz.** Kaygan tutamaklar ve tutamak yüzeyleri güvenli bir kullanımı ve öngörülemeden durumlarda elektrikli el aletinin kontrolünü engeller.

#### **Akülü el aletinin kullanımı ve çalıştırılması**

- ▶ **Aküler sadece üretici tarafından tavsiye edilen şarj cihazları ile şarj ediniz.** Belirli bir akü için uygun olan bir şarj cihazı, başka akülerle kullanılırsa yanma tehlikesi vardır.
- ▶ **Elektrikli el aletlerinde sadece bunun için öngörülen aküler kullanılmalıdır.** Başka akülerin kullanılması yaralanmalara ve yanma tehlikelerine yol açabilir.
- ▶ **Kullanılmayan aküleri, kontakların köprülenmesine sebep olabilecek ataçlar, madeni paralar, anahtarlar, çiviler, vidalar veya diğer küçük metal cisimlerden uzak tutunuz.** Akü kontakları arasındaki kısa devre yanmalara veya alev oluşumuna sebep olabilir.
- ▶ **Yanlış kullanımda aküden sıvı çıkabilir. Bunlar ile teması önleyiniz. Yanlışlıkla temasta su ile durulayınız. Sıvı gözlerle temas ederse ayrıca doktor yardım isteyiniz.** Dışarı akan akü sıvısı cilt tahrişine ve yanmalara yol açabilir.



- ▶ **Hasarlı veya değiştirilmiş aküleri kullanmayınız.** Hasarlı veya değiştirilmiş aküler öngörülemeden şekilde yangın, patlama veya yaralanma tehlikesi içeren tutumlara neden olabilir.
- ▶ **Aküleri açık ateş yakınına koymayınız veya yüksek sıcaklıklara maruz bırakmayınız.** Açık ateş veya 130°C'nin (265°F) üzerinde sıcaklıklar patlama tehlikesine neden olabilir.
- ▶ **Tüm şarj talimatlarına uyunuz ve aküyü veya akülü aleti kullanım kılavuzunda öngörülen sıcaklık aralığının dışında şarj etmeyiniz.** Hatalı şarj veya öngörülen sıcaklık aralığının dışındaki şarj işlemleri akünün zarar görmesine ve yangın tehlikesine neden olabilir.

### Servis

- ▶ **Elektrikli el aletinizi sadece kalifiye uzman personele ve sadece orijinal yedek parçalar ile tamir ettiriniz.** Böylece aletin güvenliğinin korunduğundan emin olunur.
- ▶ **Hasarlı akülere bakım yapmayınız.** Akülere yönelik tüm bakım çalışmaları sadece üretici veya yetkili müşteri hizmetleri tarafından yapılmalıdır.

## 2.2 İleri-geri hareket eden testere bıçağı ile testereleme için güvenlik uyarıları

- ▶ **Ek aletin gizli elektrik kablolarına temas edebileceği yerlerde çalışıyorsanız elektrikli el aletini izole edilmiş tutamak yüzeyinden tutunuz.** Elektrik ileten bir hat ile temasta metal parçalar da gerilim altında kalır ve elektrik çarpmasına neden olabilir.
- ▶ **Keseceğiniz parçayı kısıtarak veya başka bir şekilde sabit bir zemine sabitleyip, emniyete alınız.** Keseceğiniz parçayı sadece elinizle veya vücudunuza dayayarak tutmanız halinde, parça sağlam durmaz ve kontrol kaybına yol açabilir.

## 2.3 Ek güvenlik uyarıları

- ▶ Ürünü ve aksesuarı sadece teknik açıdan sorunsuz durumdayken kullanınız.
- ▶ Ürün veya aksesuar üzerinde asla manipülasyon veya değişiklik yapılmamalıdır.
- ▶ Çalışmaya başlamadan önce çalışma alanında üzeri kapatılmış elektrik kablosu, gaz ve su borusu bulunup bulunmadığını kontrol ediniz. Bir elektrik hattına, bir gaz veya su borusuna zarar verilmesi halinde, ürünün dışındaki metal parçalar elektrik çarpmasına veya patlamaya neden olabilir.
- ▶ Havalandırma deliklerini her zaman açık bırakınız. Üzeri kapatılan havalandırma delikleri nedeniyle yanma tehlikesi!
- ▶ Ürünün kullanımı sırasında koruyucu gözlük, kulaklık ve koruyucu eldiven kullanınız.
- ▶ Koruyucu gözlük kullanınız. Etrafa sıçrayan malzeme vücudu ve gözleri yaralayabilir.
- ▶ Taşlama, zımparalama, kesme ve delme işlemleri sonucunda oluşan tozlar tehlikeli kimyasallar içerebilir. Bazı örnekler şunlardır: Kurşun temelli kurşun veya boya; Tuğla, beton ve diğer duvar ürünleri, doğal taş ve diğer silikat içeren ürünler; Meşe, kayın gibi belirli ahşaplar ve kimyasal işlem görmüş ahşap; Asbest veya asbest içerikli malzemeler. Çalışılan malzemenin tehlike sınıfına göre kullanıcının ve çevredeki kişilerin maruziyetini belirleyiniz. Maruziyeti güvenli bir seviyede tutmak için bir toz toplama sisteminin kullanımı veya uygun bir solunum koruma maskesinin kullanımı gibi gerekli önlemleri alınız. Maruziyeti azaltmaya yönelik genel önlemler aşağıdakilerdir:
  - ▶ İyi havalandırılan bir alanda çalışma,
  - ▶ Toz ile uzun süreli temastan kaçınma,
  - ▶ Yüz ve vücuttaki tozları giderme,
  - ▶ Koruyucu kıyafet kullanma ve maruz kalan alanları su ve sabunla yıkama.
- ▶ Aletlerin ve/veya aksesuarların düşmesi nedeniyle yaralanma tehlikesi. Çalışmaya başlamadan önce akünün monte edilmiş olan aksesuarını emniyetli bir şekilde sabitlenip sabitlenmediğini kontrol ediniz.
- ▶ Ürünü ancak çalışma konumuna getirdikten sonra çalıştırınız.
- ▶ Ürünü her zaman öngörülen tutamaklardan sıkıca tutunuz. Tutamakları kuru ve temiz tutunuz.
- ▶ Parmaklarınızdaki kan dolaşımının daha iyi olması için sık sık molalar veriniz ve parmak egzersizleri yapınız. Uzun süren çalışmalarda yüksek titreşim, parmaklar, eller veya bileklerdeki sinir sisteminde veya kan damarlarında rahatsızlıklara neden olabilir.
- ▶ Dekupaj teskeresinin ışığına (LED) doğrudan bakmayınız ve ışığı doğrudan başkalarının yüzüne doğru tutmayınız. Kör olma tehlikesi vardır!
- ▶ Yere koymadan önce ürünün tamamen durmasını bekleyiniz.
- ▶ Ek aleti değiştirirken koruyucu eldiven takınız. Ek alete takılan uçlara dokunmak kesik ve yanık türünde yaralanmalara yol açabilir!

### Dekupaj testere için özel güvenlik uyarıları

- ▶ Çalışırken aleti daima vücudunuzdan öteye doğru sürünüz.
- ▶ Ellerinizi asla testere bıçağının önünde veya yanında tutmayınız.



- ▶ Bilmediğiniz zeminleri kesmeyiniz ve kesme yolunun üstünü ve altını boş tutunuz.
- ▶ Kesme sırasında, kestiğiniz parçanın altından tutmayınız..

## 2.4 Akülü aletlerin özenli çalıştırılması ve kullanımı

- ▶ **Lityum İyon akülerin kullanılması sırasında aşağıda belirtilen güvenlik uyarılarını dikkate alınız.** Bunlara dikkate alınmaması ciltte tahrişlere, ağır korozif yaralanmalara, kimyasal yanıklara, yangın ve / veya patlamalara neden olabilir.
- ▶ Aküyü sadece teknik olarak kusursuz durumdayken kullanınız.
- ▶ Hasarları önlemek için ve sağlığa ciddi zarar verici sıvıları engellemek için akülere itinalı davranınız!
- ▶ Akülere asla müdahale edilmemeli ve üzerlerinde onarım yapılmamalıdır!
- ▶ Aküler parçalarına ayrılmamalı, ezilmemeli, 80° C (176° F) üzerine ısıtılmamalı veya yakılmamalıdır.
- ▶ Darbeye maruz kalmış veya başka bir hasar görmüş aküleri kullanmayınız. Akülerinizi hasar belirtilerine karşı düzenli olarak kontrol ediniz.
- ▶ Geri dönüştürülmüş veya onarılmış aküleri asla kullanmayınız.
- ▶ Aküyü veya aküyle çalışan bir elektrikli el aletini asla bir şeyi çakmak veya bir şeye vurmak için kullanmayınız.
- ▶ Aküleri asla doğrudan güneş ışığına, aşırı sıcaklık, kıvılcım veya açık ateşe maruz bırakmayınız. Bu durum patlamalara neden olabilir.
- ▶ Akünün kutbuna parmaklarınız, aletler, takılar veya diğer elektrikselsel olarak iletken nesnelere dokunmayınız. Bu durum aküye hasar verebilir, maddi hasarlara ve yaralanmalara neden olabilir.
- ▶ Aküleri yağmurdan, ıslaklıktan ve sıvılardan uzak tutunuz. Akülerin içine nemin girmesi, kısa devrelere, elektrik çarpmalarına, yanıklara, yangına veya patlamalara neden olabilir.
- ▶ Sadece akü tipi için öngörülmüş olan şarj cihazlarını ve elektrikli el aletlerini kullanınız. Bunun için ilgili kullanım kılavuzlarındaki verileri dikkate alınız.
- ▶ Aküyü patlama tehlikesi olan ortamlarda kullanmayınız veya depolamayınız.
- ▶ Akü tutulamayacak kadar sıcaksa arızalı olabilir. Pili, yanıcı malzemelere yeterli mesafede, görünür ve yanıcı olmayan bir yere yerleştiriniz. Aküyü soğumaya bırakınız. Akü bir saat sonra hala dokunulamayacak kadar sıcaksa, arızalı demektir. **Hilti** servisiyle irtibat kurunuz veya "**Hilti** Lityum İyon aküler için güvenlik ve kullanım uyarıları" dokümanını okuyunuz.



Lityum İyon aküleri taşıma, depolama ve kullanma için geçerli özel yönetmelikleri dikkate alınız.

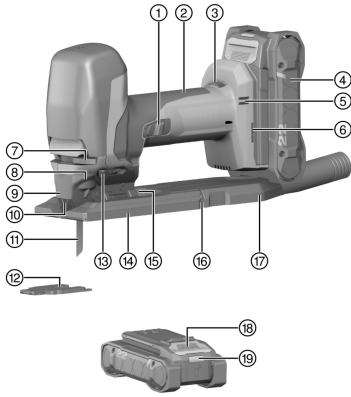
183

Bu kullanım kılavuzunun sonundaki QR kodu tarayarak ulaşabileceğiniz, **Hilti** Lityum İyon aküler için güvenlik ve kullanım uyarılarını okuyunuz.



### 3 Tanımlama

#### 3.1 Ürüne genel bakış



- ① Açma/kapatma şalteri
- ② tutamak
- ③ Strok sayısı ayarı için ayar çarkı
- ④ Akü
- ⑤ Havalandırma delikleri
- ⑥ Aksesuar için montaj aralığı
- ⑦ Testere bıçağını serbest bırakma kolu
- ⑧ Alet bağlantı yeri
- ⑨ Koruma kapağı
- ⑩ Dokunma koruması
- ⑪ Testere bıçağı
- ⑫ Kopan talaş koruması
- ⑬ Sarkaç hareketi ayarları için kol
- ⑭ Ana plaka
- ⑮ Kesim açısının ayarlanması için ölççek
- ⑯ Sabitleme mandalı
- ⑰ Emme adaptörü
- ⑱ Akü kilidi açma tuşu
- ⑲ Akü durum göstergesi

#### 3.2 Usulüne uygun kullanım

Tanımlanan ürün elle yönlendirilen, akülü bir sarkaç hareketli dekupaj testeredir. Plastik, ahşap ve metal malzemelerin yanı sıra alçı ve fiber plakaları kesmek için tasarlanmıştır.

Ürün, piyasada bulunan emme hortumlarına göre tasarlanmış olan isteğe bağlı bir toz emici için çıkartılabilir bir bağlantı ağızyla donatılmıştır. Emme hortumunu ürüne bağlamak için uygun bir adaptör gerekebilir.

- Bu ürün için sadece B 22 tip serisi **Hilti** Nuron Lityum İyon aküleri kullanınız. Optimum güç için **Hilti** bu ürünle birlikte bu kullanım kılavuzunun sonundaki tabloda belirtilen akülerin kullanılmasını tavsiye eder.
- Bu aküler için sadece **Hilti** şarj cihazlarının bu kullanım kılavuzunun sonundaki tabloda belirtilen serilerini kullanınız.
- Bu ürün için sadece (bağlama sapı olarak) T-şafıtlı testere bıçakları kullanınız.

#### 3.3 Olası yanlış kullanım

- Ürün dal ve ağaç gövdelerinin kesilmesi için kullanılmamalıdır.
- Ürün sağlığa zarar veren maddelerin işlenmesi için kullanılmamalıdır.
- Ürün nemli ortamlardaki çalışmalarda kullanılmamalıdır.

#### 3.4 Lityum İyon akü göstergeleri

**Hilti** Nuron Lityum İyon aküler şarj durumunu, hata mesajlarını ve akünün durumunu gösterebilir.

##### 3.4.1 Şarj durumu ve hata mesajları göstergeleri

###### İKAZ

###### Düşen akü nedeniyle yaralanma tehlikesi!

- ▶ Akü takılıyken, kilit açma tuşuna bastıktan sonra, kullandığınız üründe akünün yerine oturduğundan emin olunuz.

Aşağıdaki göstergelerden birini görüntülemek için akünün kilit açma tuşuna kısa süreli basınız.

Bağlı olan ürün açık olduğu sürece, şarj durumu ve olası arızalar da sürekli görüntülenir.

Durum	Anlamı
Dört (4) LED sürekli yeşil yanıyor	Şarj durumu: % 100 ila % 71 arası



Durum	Anlamı
Üç (3) LED sürekli yeşil yanıyor	Şarj durumu: % 70 ila % 51 arası
İki (2) LED sürekli yeşil yanıyor	Şarj durumu: % 50 ila % 26 arası
Bir (1) LED sürekli yeşil yanıyor	Şarj durumu: % 25 ila % 10 arası
Bir (1) LED yavaşça yeşil renkte yanıp sönüyor	Şarj durumu: < % 10
Bir (1) LED hızlıca yeşil yanıp sönüyor	Lityum İyon akü tamamen deşarj olmuş. Aküyü şarj ediniz. Akünün şarj işleminden sonra LED hala hızlı yanıp sönüyorsa, lütfen <b>Hilti</b> servisiyle irtibat kurunuz.
Bir (1) LED hızlıca sarı yanıp sönüyor	Lityum İyon akü veya buna bağlı ürün aşırı yüklendi, çok sıcak, çok soğuk veya başka bir hata mevcut. Ürünü ve aküyü önerilen çalışma sıcaklığına getiriniz ve kullanırken ürünü aşırı yükte maruz bırakmayınız. Mesaj devam ediyorsa <b>Hilti</b> servisiyle irtibat kurunuz.
Bir (1) LED sarı yanıyor	Lityum İyon akü ve bağlantılı ürün uyumlu değildir. Lütfen <b>Hilti</b> servisine başvurunuz.
Bir (1) LED hızlıca kırmızı yanıp sönüyor	Lityum İyon akü bloke olmuş ve kullanılamaz. Lütfen <b>Hilti</b> servisine başvurunuz.

### 3.4.2 Akü durumunun göstergeleri

Akü durumunu sorgulamak için, kilit açma tuşuna üç saniyeden fazla basılı tutunuz. Sistem; düşme, delinme, harici ısı hasarları vb. gibi usulüne uygun olmayan kullanım nedeniyle pilde potansiyel hatalı fonksiyon algılamıyor.

Durum	Anlamı
Tüm LED'ler çalışma ışığı olarak yanıyor ve ardından bir (1) LED sürekli yeşil yanıyor.	Akü kullanımına devam edilebilir.
Tüm LED'ler çalışma ışığı olarak yanıyor ve ardından bir (1) LED hızlıca sarı yanıp sönüyor.	Akünün durumuna ilişkin sorgu tamamlanmadı. İşlemi tekrarlayınız veya <b>Hilti</b> servisiyle irtibat kurunuz.
Tüm LED'ler çalışma ışığı olarak yanıyor ve ardından bir (1) LED sürekli kırmızı yanıyor.	Bağlı bir ürünün kullanımına devam edilebiliyorsa, kalan akü kapasitesi %50'nin altındadır. Bağlı bir ürünün kullanımına devam edilemiyorsa, akünün kullanım ömrü dolmuştur ve akü değiştirilmelidir. Lütfen <b>Hilti</b> servisine başvurunuz.

### 3.5 Talaş üfleme düzeneği

Talaş üfleme düzeneği, kesim kenarında talaş kalmasını önlemek için, testere bıçağına doğru bir hava akımı oluşturur.

### 3.6 Strok sayısı

Strok sayısı ayar çarkı kullanılarak ayarlanabilir. Konum 1, dakikada 800 strok'a, konum 6 ise dakikada 3000 strok'a karşılık gelir.

### 3.7 4 kademeli sarkaç hareketi

4 kademeli sarkaç hareketi sayesinde, kesme performansı ve kesit görüntüsü, kesilen malzemenin özelliklerine uyarlanabilir. Sarkaç stroku ayar kolu vasıtasıyla 4 kademe arasında geçiş yapılır.

Kesim kenarının ne kadar temiz ve pürüzsüz olması isteniyorsa o kadar küçük bir sarkaç hareket kademesi seçilmelidir. Deneme yanılma yolu ile en iyi ayar belirlenebilir.

Durum	Anlamı
Kademe 0	Sarkaç hareketi yok
Kademe 1	Düşük düzeyde sarkaç hareketi





Durum	Anlamı
Kademe 2	Orta düzeyde sarkaç hareketi
Kademe 3	Yüksek düzeyde sarkaç hareketi

### 3.8 Kopan talaş koruması

Ürün bir kopan talaş koruması ile donatılabilir.

Kopan talaş koruması sayesinde, ahşap malzemelerin kesimi sırasında yüzeyden parça kopma önlenir.

### 3.9 Ürünün otomatik kapanması

Açma / kapama düğmesine 15 dakikadan uzun süre sürekli olarak basılması halinde (örn. nakliye veya depolama sırasında), ürün otomatik olarak kapanır. Böylece akünün bitmesi engellenir.

### 3.10 Teslimat kapsamı

Testere bıçağı, koruma kapağı, emme adaptörü, kopan talaş koruması, kullanım kılavuzu, iç altıgen anahtar ile birlikte sarkaç hareketli dekapaj testeresi.

Ürünleriniz için izin verilen diğer sistem ürünlerini **Hilti Store** veya internetteki şu adreste bulabilirsiniz: [www.hilti.group](http://www.hilti.group)

## 4 Teknik veriler

### 4.1 Sarkaç hareketli dekapaj testeresi

	SJT 6-22
Ürün nesli	02
Nominal gerilim	21,6 V
EPTA Procedure 01 uyarınca aküsüz ağırlık	2,1 kg
Strok boyu	28 mm
Yüksüz strok sayısı (n <sub>0</sub> )	800 dev/dak ... 3.000 dev/dak
Ahşapta maksimum kesme performansı	150 mm
Alüminyumda maksimum kesme performansı	25 mm
Alaşımsız çelikte maksimum kesme performansı	10 mm
Kesme açısı (sol / sağ)	0° ... 45°
Emme adaptörünün dış çapı	27,5 mm
Depolama sıcaklığı	-20 °C ... 70 °C
İşletim sırasındaki ortam sıcaklığı	-17 °C ... 60 °C

### 4.2 Ses bilgisi ve titreşim değerleri

Bu talimatlarda belirtilen ses basıncı ve titreşim değerleri, ilgili normlara uygun bir ölçüm metodu ile ölçülmüştür ve elektrikli el aletlerinin birbirleri ile karşılaştırılması için kullanılabilir. Zorlanmaların geçici olarak değerlendirilmesine de uygundur.

Belirtilen değerler, elektrikli el aletinin ana kullanım alanlarını temsil eder. Elektrikli el aletinin, farklı ek aletlerle veya yetersiz bakım yapılmış şekilde kullanılması durumunda, veriler sapma gösterebilir. Bu durum, toplam çalışma süresi boyunca zorlanmayı belirgin şekilde yükseltebilir.

Doğru bir zorlanma değerlendirmesi için elektrikli el aletinin kapatıldığı veya çalışır konumda olduğu ve ayrıca kullanımda olmadığı zamanlar da dikkate alınmalıdır. Bu durum, toplam çalışma süresi boyunca zorlanmayı belirgin şekilde azaltabilir.

Kullanıcıyı ses ve/veya titreşimin etkilerinden koruyacak ek güvenlik önlemleri belirleyiniz, örneğin: Elektrikli el aletinin ve ek aletlerin bakımının yapılması, ellerin sıcak tutulması, iş akışlarının düzenlenmesi.



Burada uygulanan **EN 62841** standartlarının versiyonları hakkında ayrıntılı bilgi, uygunluk beyanının görüntüsünde 252 bulunabilir.



**Ses emisyonu değerleri**

	<b>SJT 6-22</b>
<b>Ses gücü seviyesi (<math>L_{WA}</math>)</b>	99 dB(A)
<b>Ses gücü seviyesi için emniyetsizlik (<math>K_{WA}</math>)</b>	5 dB(A)
<b>Ses basıncı seviyesi (<math>L_{pA}</math>)</b>	91 dB(A)
<b>Ses basıncı seviyesi için emniyetsizlik (<math>K_{pA}</math>)</b>	5 dB(A)

**Toplam titreşim değerleri**

		<b>SJT 6-22</b>
<b>Sunta levhaların testerelemesi sonucu oluşan titreşim emisyon değeri (<math>a_{h,b}</math>)</b>	<b>B 22-55</b>	5,2 m/sn <sup>2</sup>
	<b>B 22-255</b>	5,3 m/sn <sup>2</sup>
<b>Metal levhaların kesilmesindeki titreşim emisyon değeri (<math>a_{h,m}</math>)</b>	<b>B 22-55</b>	8,5 m/sn <sup>2</sup>
	<b>B 22-255</b>	7,2 m/sn <sup>2</sup>
<b>Emniyetsizlik (K)</b>		1,5 m/sn <sup>2</sup>

**4.3 Akü**


<b>Akü çalışma gerilimi</b>	21,6 V
<b>Akü ağırlığı</b>	Bu kullanım kılavuzunun sonuna bakınız
<b>İşletim sırasındaki ortam sıcaklığı</b>	-17 °C ... 60 °C
<b>Depolama sıcaklığı</b>	-20 °C ... 40 °C
<b>Şarj başlangıcında akü sıcaklığı</b>	-10 °C ... 45 °C

**5 Çalışma hazırlığı****⚠ İKAZ****Yaralanma tehlikesi kazara çalışmaya başlama nedeniyle!**

- ▶ Aküyü takmadan önce ilgili ürünün kapalı konumda olduğundan emin olunuz.
- ▶ Cihazın ayarlarını yapmadan veya aksesuarları değiştirmeden önce aküyü çıkartınız.

Bu dokümanda ve ürün üzerinde bulunan güvenlik ve uyarı bilgilerine dikkat ediniz.

**5.1 Akünün şarj edilmesi**

1. Şarj etmeden önce şarj cihazının kullanım kılavuzunu okuyunuz.
2. Akü ve şarj cihazının kontaklarının temiz ve kuru olmasına dikkat ediniz.
3. Aküyü izin verilen şarj cihazında şarj ediniz.  177

**5.2 Akünün yerleştirilmesi****⚠ İKAZ****Yaralanma tehlikesi kısa devre veya akünün düşmesi nedeniyle!**

- ▶ Aküyü yerleştirmeden önce, akü kontaklarında ve ürün içindeki kontaklarda yabancı cisim bulunmadığından emin olunuz.
  - ▶ Akünün her zaman tam oturduğundan emin olunuz.
1. İlk kullanım öncesinde akü tamamen şarj edilmelidir.
  2. Aküyü ürüne, duyulur şekilde yerine oturana kadar itiniz.
  3. Akünün alette emniyetli bir şekilde yerleşip yerleşmediğini kontrol ediniz.

**5.3 Akünün çıkartılması**

1. Akünün serbest bırakma düğmelerine basınız.
2. Aküyü üründen çıkartınız.



#### 5.4 Testere bıçağının yerleştirilmesi 2

1. Testere bıçağını (dişleri kesme yönüne gelecek şekilde) alet bağlantı yerine iyice yerine oturana kadar bastırınız.
2. Testere bıçağının yerine emniyetli bir şekilde kilitlemiş olup olmadığını bıçağı yerinden çekerek kontrol ediniz.

#### 5.5 Koruma kapağının yerine takılması 3

- Koruma kapağını, ürünün üzerinde yerine tam oturuncaya kadar önden arkaya doğru itiniz.



Koruma kapağı, sadece ana plaka normal konumda (yani 0° kesme açısında) bulunduğu zaman, yerine yerleştirilebilir. 182

#### 5.6 Emme adaptörünün takılması 4

1. Emme adaptörünü arkadan, her iki sabitleme mandalı yanlardan yerlerine oturuncaya kadar, yatay olarak ana plakaya doğru itiniz.
2. Toz emicinin hortumunu emme adaptörüne takınız.

#### 5.7 Kopan talaş korumasının takılması 5

- Kopan talaş korumasını alttan ana plakaya bastırarak takınız.



Kopan talaş koruması sadece bu amaçla tasarlanmış olan testere bıçakları ile birlikte kullanılabilir. Kopan talaş koruması, sadece ana plaka normal konumda (yani 0° kesme açısında) bulunduğu zaman, kullanılabilir. 182

#### 5.8 Devrilme emniyeti



#### İKAZ

**Yaralanma tehlikesi** aletin ve/veya aksesuarının yere düşmesi nedeniyle!

- Sadece ürününüz için tavsiye edilen **Hilti** alet bağlama ipini kullanınız.
- Her kullanımdan önce alet bağlama ipinin sabitleme noktasını olası hasarlar bakımından kontrol ediniz.
- Kemer kancasına herhangi bir alet bağlama ipi sabitlemeyiniz. Kemer kancasını ürünü kaldırmak için kullanmayınız.



Yüksekteki çalışmalar için ulusal yönetmelikleri dikkate alınız.

Bu ürün için devrilme emniyeti olarak sadece **Hilti** düşme koruması ile **Hilti** alet kordonunun #2261970 bir kombinasyonunu kullanınız.

- Düşme emniyetini aksesuarların montaj aralıklarına sabitleyiniz. Güvenli tutuşu kontrol ediniz.
- Alet kordonunun bir karabinini düşme emniyetine ve ikinci karabinini de taşıyıcı yapıya sabitleyiniz. Her iki karabinin de emniyetli bir şekilde sabitlenmiş olup olmadığını kontrol ediniz.



**Hilti** düşme emniyetinin yanı sıra **Hilti** alet kordonunun kullanım kılavuzlarını da dikkate alınız.

## 6 Kullanım

Bu dokümanda ve ürün üzerinde bulunan güvenlik ve uyarı bilgilerine dikkat ediniz.

#### 6.1 Toz emme tertibatının kullanılması




Toz emme tertibatı toz kirlenmesini azaltır, kesilen yerin daha iyi görülmesi sayesinde iş emniyetini artırır ve toz ve talaş nedeniyle iş yeri kirlenmesinin önüne geçer.

1. Koruma kapağını yerine takınız. 181




2. Eđer uzun bir süre, yüksek yoğunlukta toz oluşturabilecek malzemeler veya ahşapla çalışma yapacaksa her zaman toz emme tertibatı kullanınız.

## 6.2 Kesme açısının ayarlanması 6

1. Emme adaptörünü sökünüz.  182
2. Ana plakadaki civatayı gevşetiniz.
3. İstedığınız kesme açısını (her iki yönde 0° ile 45° aralığında) ayarlayınız.
  - ▶ 0° kesme açısında ana plaka burulma emniyetli bir konumda bulunur. Bir kesme açısının ayarlanabilmesi için, ana plakanın ilk önce arkaya çekilmesi gerekir.
  - ▶ Ana plakayı tekrar 0° kesme açısına ayarlamaz halinde, ana plakayı burulma emniyetli bir konumda yerine oturtmak için, bunun ardından ana plakayı tekrar öne doğru itiniz.
4. Civatayı tekrar sıkınız.
  - ▶ Ana plaka sabitlenir.

## 6.3 Ürünün açılması

-  İlk önce ürünün açılması ve akünün daha sonra yerine yerleştirilmesi halinde, bir emniyet fonksiyonu, ürünün çalışmaya başlamamasını sağlar.  
Açma / kapatma şalterini önce geriye doğru ve ardından da yeniden öne doğru itiniz.

- ▶ Açma / kapatma şalterini öne doğru itiniz.

## 6.4 Daldırmalı kesme

1. Sarkaç stroku ayar kolunu 0 konumuna getiriniz.
2. Ürünü, ana plakanın ön kenarı kesilecek parçanın üzerine gelecek şekilde tutunuz.
3. Ürünü sıkı tutunuz ve açma / kapatma şalterine basınız.
4. Ürünü kesilecek parçaya doğru güçlü bir şekilde bastırınız ve çalışma açısını düşürerek bıçağı malzemeye daldırınız.
5. Bıçak kesilecek parçaya girdiğinde ürünü normal çalışma konumuna getiriniz.
  - ▶ Ana plaka tümüyle yüzeyin üzerinde bulunmalıdır.
6. Kesme hattı boyunca kesmeye devam ediniz.

## 6.5 Ürünün kapatılması

- ▶ Açma/ kapatma şalterini arkaya doğru itiniz.

## 7 Sökme

### 7.1 Emme adaptörünün sökülmesi 7

1. Her iki sabitleme mandalını içe doğru bastırınız.
2. Emme adaptörünü geriye doğru çekerek ana plakadan ayırınız.
3. Toz emicinin hortumunu emme adaptöründen ayırınız.

### 7.2 Koruma kapağının sökülmesi 8

- ▶ Koruma kapağını hafifçe eğiniz ve öne doğru çekiniz.

### 7.3 Testere bıçağının çıkartılması 9

#### İKAZ

**Yaralanma tehlikesi.** Testere bıçağının kontrolsüz bir şekilde yerinden çıkması yaralanmalara neden olabilir.

- ▶ Testere bıçağını çıkartırken, ürünü, bıçağın çıkartılması sırasında herhangi bir insan veya hayvanı yaralanmayacağı şekilde tutunuz.
- ▶ Testere bıçağını serbest bırakma kolunu durdurma noktasına dayanıncaya kadar kenara doğru döndürünüz.
  - ▶ Testere bıçağı serbest kalır ve yerinden çıkartılır.



## 8 Bakım ve onarım

### ⚠ İKAZ

#### Takılı aküden dolayı yaralanma tehlikesi !

- Tüm bakım ve onarım çalışmalarından önce her zaman aküyü çıkarınız!

#### Ürün bakımı

- Yapışmış olan kirleri dikkatle çıkartınız.
- Eğer mevcutsa, havalandırma deliklerini kuru ve yumuşak bir fırça ile dikkatlice temizleyiniz.
- Gövdeyi sadece hafif nemli bir temizlik bezi ile temizleyiniz. Plastik parçalara yapışabileceğinden silikon içerikli bakım maddeleri kullanmayınız.
- Ürünün üzerindeki kontak noktalarını temizlemek için temiz ve kuru bir bez kullanınız.

#### Lityum İyon akülerin bakımı

- Bir aküyü asla havalandırma delikleri tıkalıyken kullanmayınız. Havalandırma deliklerini kuru, yumuşak bir fırça ile dikkatlice temizleyiniz.
- Akünün gereksiz yere toza veya kire maruz kalmamasını sağlayınız. Aküyü asla yüksek neme maruz bırakmayınız (örneğin suya daldırmayınız veya yağmurda bırakmayınız). Bir akünün ıslanması halinde, ona hasarlı bir akü gibi davranınız. Yanıcı olmayan bir kabin içinde izole ediniz ve **Hilti** servisine başvurunuz.
- Aküyü yabancı yağ ve gresten uzak tutunuz. Akünün üzerinde gereksiz yere toz veya kir birikmesine izin vermeyiniz. Aküyü kuru, yumuşak bir fırça veya temiz, kuru bir bezle temizleyiniz. Plastik parçalara yapışabileceğinden silikon içerikli bakım maddeleri kullanmayınız. Akünün kontak noktalarına dokunmayınız ve kontak noktalarına fabrikada uygulanmış olan gresi kesinlikle çıkartmayınız.
- Gövdeyi sadece hafif nemli bir temizlik bezi ile temizleyiniz. Plastik parçalara yapışabileceğinden silikon içerikli bakım maddeleri kullanmayınız.

#### Bakım

- Görünür tüm parçalarda hasar olup olmadığını ve kumanda elemanlarının sorunsuz şekilde çalışıp çalışmadığını düzenli olarak kontrol ediniz.
- Hasar ve/veya fonksiyon arızaları durumunda ürünü işletmeyiniz. Ürünü gecikmeden **Hilti** servisine tamir ettiriniz.
- Bakım ve onarım çalışmalarından sonra tüm koruma tertibatlarını yerleştiriniz ve bunların fonksiyonlarını sorunsuz olarak yerine getirmekte olup olmadıklarını kontrol ediniz.



Güvenli çalışma için sadece orijinal yedek parçalar ve tüketim malzemeleri kullanınız. **Hilti** tarafından onaylanmış, yedek parçaları, aksesuarları ve sarf malzemelerini **Hilti Store** veya şu adreste bulabilirsiniz: [www.hilti.group](http://www.hilti.group)

### 8.1 Emme adaptörünün temizlenmesi

1. Emme adaptörünü sökünüz. 182
2. Emme adaptörünü temizleyiniz.
3. Sabitleme mandallarının hasar görmüş olup olmadıklarını kontrol ediniz.
4. Emme adaptörünü takınız. 181

### 8.2 Testere bıçaklarının temizlenmesi

1. Kullanılan testere bıçaklarının üzerinde kalan reçineleri düzenli olarak temizleyiniz.
2. Testere bıçaklarını 24 saat süreyle gaz yağına veya piyasada satılan bir reçine çözücüye yatırınız.

## 9 Akülü aletlerin ve akülerin taşınması ve depolanması

### Taşıma

#### ⚠ DİKKAT

#### Taşıma sırasında aletin istem dışı çalışması !

- Ürünlerinizi her zaman aküler takılı olmadan taşıyınız!
- Aküleri çıkartınız.



- ▶ Aküleri kesinlikle sıkıca bağlanmamış koruma ile nakletmeyiniz. Nakliye sırasında, aküler aşırı şok ve titreşimlerden korunmalı ve başka akü kutupları ile temas ederek kısa devreye neden olmaları için, her türlü iletkin malzeme veya diğer akülerden izole edilmiş olmalıdır. **Aküler için yerel taşıma talimatlarını dikkate alınız.**
- ▶ Aküler posta ile gönderilmemelidir. Hasarsız aküleri sevk etmek istemeniz halinde, bir nakliye şirketine başvurunuz.
- ▶ Ürünün ve akülerin hasar görmüş olup olmadığını her kullanımdan önce olduğu gibi uzun taşımaldan önce ve sonra kontrol ediniz.

## Depolama



### İKAZ

#### Arızalı veya akan aküler nedeniyle beklenmeyen hasar oluşumu !

- ▶ Ürünlerinizi her zaman aküleri yerleştirmeden depolayınız!
- ▶ Ürünü ve aküleri serin ve kuru bir yerde muhafaza ediniz. Teknik verilerde belirtilen sıcaklık sınır değerlerini dikkate alınız.
- ▶ Aküleri şarj cihazının üzerinde muhafaza etmeyiniz. Şarj işleminden sonra her zaman aküyü şarj cihazından çıkartınız.
- ▶ Aküleri kesinlikle güneşte, ısı kaynakları üzerinde veya cam arkasında muhafaza etmeyiniz.
- ▶ Ürünü ve aküleri çocukların ve yetkisiz kişilerin ulaşamayacağı yerlerde muhafaza ediniz.
- ▶ Ürünün ve akülerin hasar görmüş olup olmadığını her kullanımdan önce olduğu gibi uzun süreli depolamalardan önce ve sonra kontrol ediniz.

## 10 Arıza durumunda yardım

Tüm arızalarda akünün şarj durumu ve hata göstergesini dikkate alınız. Bkz. Bölüm **Lityum İyon akü göstergeleri**.

Bu tabloda listelenmemiş veya kendi başınıza gideremediğiniz arızalarda lütfen yetkili **Hilti** servisimiz ile irtibat kurunuz.

Anıza	Olası sebepler	Çözüm
Testere bıçağı kendiliğinden çıkıyor.	Testere bıçağı doğru kilitlenmemiş.	<ul style="list-style-type: none"> <li>▶ Takma işlemini tekrar ediniz.</li> <li>▶ Alet bağlantı yerinin tamamen açılmış ve testere bıçağının dayanak noktasına kadar bastırılmış olduğundan emin olunuz.</li> </ul>
	Gerdirme sistemi kirlenmiş.	▶ Alet bağlantı yerini temizleyiniz.
Testere bıçağı takılmıyor.	Gerdirme sistemi kirlenmiş.	▶ Alet bağlantı yerini temizleyiniz.
Sarkaç strok ayarı yapılamıyor.	Sarkaç kolunun somunu kirlenmiş.	▶ Sarkaç kolunun somununda bulunan pislikleri temizleyiniz.
	Sarkaç mekanizması kirlenmiş.	▶ Sarkaç çatalı bölgesinde pislik bulunup bulunmadığını kontrol ediniz, varsa bunları temizleyiniz.
Sarkaç stroku işlevi çalışmıyor.	Sarkaç stroku ayar kolu "0" konumunda.	▶ İsteddiğiniz değeri ayarlayınız.
	Çok düşük ortam sıcaklığı.	▶ Aküyü yavaşça oda sıcaklığına ulaşacak biçimde ısınmaya bırakınız.
Akü normalden daha hızlı boşalıyor.	Akünün kilit tırnağı kirlenmiş.	▶ Tırnakları temizleyiniz ve aküyü yeniden yerine oturtunuz.
Akü duyulabilir bir "klik" sesi ile yerine oturmuyor.	Elektrik arızası	▶ Ürünü derhal kapatınız, aküyü çıkartınız, gözleyiniz, soğumaya bırakınız ve <b>Hilti</b> servisi ile irtibat kurunuz.
Üründe veya aküde yüksek ısı üretimi.		
Akünün LED'lerinde hiçbir şey görüntülenmiyor	Akü arızalı	▶ <b>Hilti</b> servisi ile irtibat kurunuz.




## 11 İmha

### ⚠ İKAZ

**Usulüne uygun olmayan imha nedeniyle yaralanma tehlikesi!** Dışarı çıkan gaz ve sıvılar nedeniyle sağlık sorunları.

- ▶ Hasar görmüş aküleri hiç bir şekilde göndermeyiniz!
- ▶ Kısa devreleri önlemek için, akünün bağlantılarını iletken olmayan bir malzeme ile kapatınız.
- ▶ Aküleri, çocukların ellerine geçmeyecek şekilde imha ediniz.
- ▶ Aküyü size en yakın **Hilti Store**'da imha ediniz veya imha etmek için yetkili şirketinize başvurunuz.

 **Hilti** ürünleri yüksek oranda tekrar kullanılabilen malzemelerden üretilmiştir. Geri dönüşüm için gerekli koşul, usulüne uygun malzeme ayrımıdır. Çoğu ülkede **Hilti** eski aletlerini yeniden değerlendirmek üzere geri alır. Bu konuda **Hilti** müşteri hizmetlerinden veya satış temsilcinizden bilgi alabilirsiniz.



- ▶ Elektrikli el aletlerini, elektronik cihazları ve aküleri evdeki çöplere atmayınız!

## 12 Üretici garantisi

- ▶ Garanti koşullarına ilişkin sorularınız için lütfen yerel **Hilti** iş ortağınıza başvurunuz.

## 13 Diğer bilgiler


Kullanım, teknoloji, çevre ve geri dönüşüm hakkında daha fazla bilgi aşağıdaki bağlantıda bulunabilir:  
**[qr.hilti.com/manual/?id=2264217&id=2264218](http://qr.hilti.com/manual/?id=2264217&id=2264218)**

Bu bağlantıya dokümanın sonunda bulunan QR kodu taratarak da ulaşabilirsiniz.



## 1 بيانات بخصوص دليل الاستعمال

## 1.1 خاص بدليل الاستعمال هذا

- **تحذير!** قبل أن تستخدم المنتج، تأكد أنك قد قرأت واستوعبت دليل الاستعمال المرفق مع المنتج، بما في ذلك الإرشادات وتعليمات السلامة والتحذير والصور والمواصفات. تعرف بصفة خاصة على جميع الإرشادات وتعليمات السلامة والتحذير والصور والمواصفات وكذلك المكونات والوظائف. في حالة عدم مراعاة ذلك، يكون هناك خطر حدوث صعق كهربائي أو نشوب حريق و/أو وقوع إصابات بالغة. احتفظ بدليل الاستعمال شاملاً جميع الإرشادات وتعليمات السلامة والتحذير للاستخدام اللاحق.
- منتجات **HILTI** مصممة للمستخدمين المحترفين ويقتصر استعمالها وصيانتها وإصلاحها على الأشخاص المعتمدين والمدربين جيداً. هؤلاء الأشخاص يجب أن يكونوا قد تلقوا تدريباً خاصاً على الأخطار الطارئة. قد يتسبب الجهاز وأدواته المساعدة في حدوث أخطار إذا تم التعامل معها بشكل غير سليم فنياً من قبل أشخاص غير مدربين أو تم استخدامها بشكل غير مطابق للتعليمات.
- دليل الاستعمال المرفق يتطابق مع الوضع الحالي للتقنية وقت الطباعة. يمكنك دائماً العثور على الإصدار أونلاين على صفحة المنتج Hilti. ولهذا الغرض، اتبع الرابط أو كود QR في دليل الاستعمال هذا والمميز بالرمز .
- لا يجوز تسليم المنتج إلى أي شخص إلا مع دليل الاستعمال هذا.

## 2.1 شرح العلامات

## 1.2.1 إرشادات تحذيرية

تنبه الإرشادات التحذيرية إلى الأخطار الناشئة عند التعامل مع الجهاز. يتم استخدام الكلمات الدليلية التالية:

**خطر** 

**خطر!**

◀ تشير لخطر مباشر يؤدي لإصابات جسدية خطيرة أو إلى الوفاة.

**تحذير** 

**تحذير!**

◀ تشير لخطر محتمل قد يؤدي لإصابات جسدية خطيرة أو إلى الوفاة.





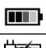

**احترس!** 

**احترس!**

◀ تشير لموقف خطر محتمل يمكن أن يؤدي لإصابات جسدية أو أضرار مادية.

## 2.2.1 الرموز في دليل الاستعمال

يتم استخدام الرموز التالية في دليل الاستعمال هذا:

	يُراعى دليل الاستعمال
	إرشادات الاستخدام ومعلومات أخرى مفيدة
	التعامل مع مواد قابلة لإعادة التدوير
	لا تتخلص من الأجهزة الكهربائية البطاريات ضمن القمامة المنزلية
	Hilti بطارية أيونات الليثيوم
	Hilti جهاز الشحن

## 3.2.1 الرموز في الصور

تستخدم الرموز التالية في الرسوم التوضيحية:





2	تشير هذه الأعداد إلى الصورة المعنية في بداية دليل الاستعمال هذا.
3	ترقيم الصور يمثل ترتيب خطوات العمل في الصور، وقد يختلف عن ترقيم خطوات العمل في النص.
11	يتم استخدام أرقام المواضع في صورة العرض العام وهي تشير إلى أرقام تعليق الصورة في فصل عرض عام للمنتج.
	هذه العلامة من شأنها أن تثير انتباهك جيداً عند التعامل مع المنتج.

### 3.1 الرموز المرتبطة بالمنتج

#### 1.3.1 رموز إضافية

قد تكون الرموز التالية مستخدمة بشكل إضافي في هذا المستند أو على المنتج:

$n_0$	عدد الأشواط بلا حمل
---	تيار مستمر
Li-Ion	بطارية أيونات الليثيوم
	يُدعم المنتج تقنية NFC المتوافقة مع أنظمة التشغيل iOS و Android.
	لا تستخدم البطارية أبداً كمطرقة.
	لا تدع البطارية تسقط. لا تستخدم بطارية تعرضت لصدمة أو أي نوع آخر من التلفيات.

## 2 السلامة

### 1.2 إرشادات السلامة العامة المتعلقة بالأدوات الكهربائية

**⚠ تحذير احرص على قراءة جميع إرشادات السلامة، التوجيهات، الصور التوضيحية والمواصفات الفنية المرفقة مع هذه الأداة الكهربائية.** أي تقصير أو إهمال في الالتزام بالتعليمات التالية قد يتسبب في حدوث صعق كهربائي، نشوب حريق و/أو وقوع إصابات خطيرة.

احتفظ بجميع مستندات إرشادات السلامة والتعليمات لاستخدامها عند الحاجة إليها فيما بعد. يقصد بمصطلح «الأداة الكهربائية» المذكور في إرشادات السلامة الأدوات الكهربائية المشغلة بالكهرباء (باستخدام كابل الكهرباء) أو الأدوات الكهربائية المشغلة بالبطاريات (بدون كابل الكهرباء).

#### سلامة مكان العمل

- حافظ على نطاق عملك نظيفاً ومضاءً بشكل جيد. الفوضى أو أماكن العمل غير المضاءة يمكن أن تؤدي لوقوع حوادث.
- لا تعمل بالأداة الكهربائية في محيط معرض لخطر الانفجار يتواجد به سوائل أو غازات أو أنواع غبار قابلة للاشتعال. الأدوات الكهربائية تولد شرراً يمكن أن يؤدي لإشعال الغبار والأبخرة.
- احرص على إبعاد الأطفال والأشخاص الآخرين أثناء استخدام الأداة الكهربائية. في حالة انصراف انتباهك قد تفقد السيطرة على الجهاز.

#### السلامة الكهربائية

- يجب أن يكون قابس توصيل الأداة الكهربائية متلائماً مع المقبس. لا يجوز تعديل القابس بأي حال من الأحوال. لا تستخدم قوايس مهايأة مع أدوات كهربائية ذات وصلة أرضي محمية. القوايس غير المعدلة والمقابس الملائمة تقلل من خطر حدوث صدمة كهربائية.
- تجنب حدوث تلامس للجسم مع أسطح مؤرضة مثل الأسطح الخاصة بالمواسير وأجهزة التدفئة والمواقد والثلاجات. ينشأ خطر متزايد من حدوث صدمة كهربائية عندما يكون جسمك متصلاً بالأرض.
- أبعد الأدوات الكهربائية عن الأمطار أو البلل. تسرب الماء إلى داخل الأداة الكهربائية يزيد من خطر حدوث صدمة كهربائية.
- لا تستخدم كابل التوصيل لحمل الأداة الكهربائية أو تعليقها أو لسحب القابس من المقبس. احتفظ بكابل التوصيل بعيداً عن السخونة والزيوت والحواف الحادة والمتحركة. كبلات التوصيل التالفة أو المتشابكة تزيد من خطر حدوث صعق كهربائي.



- ◀ عندما تعمل بأداة كهربائية في مكان مكشوف، فلا تستخدم سوى كابلات الإطالة المناسبة للعمل في النطاق الخارجي. استخدام كابل إطالة مناسب للعمل في النطاق الخارجي يقلل من خطر حدوث صعق كهربائي.
- ◀ إذا تعذر تجنب تشغيل الأداة الكهربائية في محيط رطب، فاستخدم مفتاح حماية من تسرب التيار. استخدام مفتاح الحماية من تسرب التيار يقلل خطر حدوث صدمة كهربائية.
- سلامة الأشخاص**
- ◀ كن يقظا وانتبه لما تفعل وتعامل مع الأداة الكهربائية بتعقل عند العمل بها. لا تستخدم الأداة الكهربائية عندما تكون متعبا أو تحت تأثير المخدرات أو الكحوليات أو العقاقير. فقد يتسبب عدم الانتباه للحظة واحدة أثناء الاستخدام في حدوث إصابات بالغة.
- ◀ ارتد تجهيزات وقاية شخصية وارتد دائما نظارة واقية. ارتداء تجهيزات وقاية شخصية، مثل قناع الوقاية من الغبار وأحذية الأمان المضادة للانزلاق وخوذة الوقاية أو واقى السمع، تبعا لنوع واستخدام الأداة الكهربائية، يقلل من خطر الإصابات.
- ◀ تجنب التشغيل بشكل غير مقصود. تأكد أن الأداة الكهربائية مطفأة قبل توصيلها بالكهرباء و/أو بالبطارية وقبل رفعها أو حملها. إذا كان إصبعك على المفتاح عند حمل الأداة الكهربائية أو كان الجهاز في وضع التشغيل عند التوصيل بالكهرباء، فقد يؤدي ذلك لوقوع حوادث.
- ◀ أبعد أدوات الضبط أو مفاتيح ربط البراغي قبل تشغيل الأداة الكهربائية. الأداة أو المفتاح المتواجد في جزء دوار من الجهاز يمكن أن يؤدي لحدوث إصابات.
- ◀ تجنب اتخاذ وضع غير طبيعي للجسم. احرص على أن تكون واقفا بأمان وحافظ على توازنك في جميع الأوقات. من خلال ذلك تستطيع السيطرة على الأداة الكهربائية بشكل أفضل في المواقف المفاجئة.
- ◀ ارتد ملابس مناسبة. لا ترتد ملابس فضفاضة أو حلي. احرص على أن يكون الشعر والملابس والقفازات بعيدة عن الأجزاء المتحركة. الملابس الفضفاضة أو الحلي أو الشعر الطويل يمكن أن تشبك في الأجزاء المتحركة.
- ◀ إذا أمكن تركيب تجهيزات شفط وتجميع الغبار، فتأكد أنها موصلة ومستخدمة بشكل سليم. استخدام تجهيزة شفط الغبار يمكن أن يقلل الأخطار الناتجة عن الغبار.
- ◀ لا تعتقد بأنك في مأمن عن الخطر ولا تتجاهل تشريعات السلامة المعنية للأدوات الكهربائية، حتى وإن كنت على دراية بالأداة الكهربائية بعد تكرار استخدامها. التعامل مع الجهاز بدون حذر قد يؤدي إلى وقوع إصابات بالغة في جزء من الثانية.
- استخدام الأداة الكهربائية والتعامل معها**
- ◀ لا تفرط في التحميل على الجهاز. استخدم الأداة الكهربائية المناسبة للعمل الذي تقوم به. استخدام الأداة الكهربائية المناسبة يتبع لك العمل بشكل أفضل وأكثر أمانا في نطاق العمل المقرر.
- ◀ لا تستخدم أداة كهربائية ذات مفتاح تالف. الأداة الكهربائية التي لم يعد يمكن تشغيلها أو إطفائها تمثل خطورة ويجب إصلاحها.
- ◀ اسحب القابس من المقبس و/أو اخلع البطارية القابلة للخلع من الجهاز قبل إجراء عمليات الضبط، أو استبدال أجزاء الملحقات أو عند ترك الجهاز. هذا الإجراء الوقائي يمنع بدء تشغيل الأداة الكهربائية دون قصد.
- ◀ احتفظ بالأدوات الكهربائية غير المستخدمة بعيدا عن متناول الأطفال. لا تسمح باستخدام الجهاز من قبل أشخاص ليسوا على دراية به أو لم يقرأوا هذه التعليمات. الأدوات الكهربائية خطيرة في حالة استخدامها من قبل أشخاص ليست لديهم الخبرة الواجبة.
- ◀ اعتني جيدا بالأدوات الكهربائية والملحقات. افحص الأجزاء المتحركة من حيث أداؤها لوظيفتها بدون مشاكل وعدم انحصارها وافحصها من حيث وجود أجزاء مكسورة أو متعرضة للضرر يمكن أن تؤثر سلبا على وظيفة الأداة الكهربائية. اعمل على إصلاح الأجزاء التالفة قبل استخدام الجهاز. الكثير من الحوادث مصدرها الأدوات الكهربائية التي تم صيانتها بشكل رديء.
- ◀ حافظ على أدوات القطع حادة ونظيفة. تتميز أدوات القطع ذات حواف القطع المادة المعتنى بها بدقة بأنها أقل عرضة للتعثُر وأسبل في التعامل.
- ◀ استخدم الأداة الكهربائية والملحقات وأدوات العمل وخلافه طبقا لهذه التعليمات. احرص في هذه الأثناء على مراعاة اشتراطات العمل والمهمة المراد تنفيذها. استخدام الأدوات الكهربائية في تطبيقات غير تلك المقررة لها يمكن أن يؤدي لمواقف خطيرة.
- ◀ حافظ على المقابض ومواقع المسك في حالة جافة ونظيفة وخالية من الزيت والشحم. المقابض ومواقع المسك الانزلاقية تحول دون استعمال الأداة الكهربائية والتحكم بها بشكل آمن في المواقف غير المتوقعة.



## استخدام الأداة العاملة بالبطارية والتعامل معها

- ◀ لا تشحن البطارية إلا في أجهزة شحن موصى بها من قبل الجهة الصانعة. بالنسبة لجهاز الشحن المناسب لنوع معين من البطاريات، ينشأ خطر الحريق عند استخدامه مع بطاريات أخرى.
- ◀ لا تضع في الأدوات الكهربائية سوى البطاريات المخصصة لها. استخدام بطاريات أخرى يمكن أن يؤدي لوقوع إصابات وخطر الحريق.
- ◀ أبعد البطارية غير المستخدمة عن مشابك الورق وقطع النقود المعدنية والمفاتيح والمسامير والبراغي أو الأشياء المعدنية الصغيرة الأخرى التي يمكن أن تتسبب في توصيل الملامسين لبعضهما.
- ◀ حدوث قفلة كهربائية بين أطراف توصيل البطارية يمكن أن ينتج عنه حدوث حروق أو نشوب حريق.
- ◀ عند الاستخدام بشكل خاطئ يمكن أن يتسرب سائل من البطارية. تجنب ملامسته. اشطفه بالماء في حالة ملامسته عن طريق الخطأ. إذا وصل السائل للعينين، فتوجه للطبيب علاوة على ذلك. سائل البطارية المتسرب يمكن أن يؤدي لتبيح البشرة أو حدوث حروق.
- ◀ لا تستخدم بطارية تالفة أو مختلفة. البطاريات التالفة أو المختلفة قد تتفاعل مع نفسها بشكل غير متوقع مما يؤدي لنشوب حريق أو حدوث انفجار أو وقوع إصابات.
- ◀ لا تعرض البطارية للنار أو درجات حرارة مرتفعة للغاية. حيث قد تؤدي النار ودرجات الحرارة الزائدة عن 130 °م (265 °ف) إلى حدوث انفجار.
- ◀ التزم بكافة التعليمات المعنية بالشحن، ولا تقم أبداً بشحن البطارية أو الأداة العاملة بالبطارية خارج نطاق درجة الحرارة الوارد ذكره في دليل التشغيل. الشحن بشكل خاطئ أو خارج نطاق درجة الحرارة المسموح به قد يتلف البطارية ويزيد من خطر الحريق.

## الخدمة

- ◀ اعمل على إصلاح أدواتك الكهربائية على أيدي فنيين معتمدين فقط والاقصرار على استخدام قطع الغيار الأصلية. وبذلك تتأكد من الحفاظ على سلامة الجهاز.
- ◀ لا تقم أبداً بصيانة البطاريات التالفة. يجب أن تتم جميع أعمال الصيانة بمعرفة الجهة الصانعة فقط أو من خلال مراكز خدمة العملاء المعتمدين.

## 2.2 إرشادات السلامة للمناشير المزودة بشفرة منشار تتحرك ذهاباً وجيئةً

- ◀ احرص على مسك الأداة الكهربائية من مواضع المسك المعزولة عند إجراء أعمال يحتمل فيها أن تتلامس الأداة الكهربائية مع أسلاك كهربائية مخفية. حيث أن ملامسة سلك يسري فيه التيار الكهربائي يمكن أن ينقل الجهد الكهربائي للأجزاء المعدنية بالجهاز ويؤدي لحدوث صدمة كهربائية.
- ◀ قم بتثبيت وتأمين أداة الشغل على سنادة متينة باستخدام قاطمات أو بأي طريقة أخرى. أما إذا قمت بمسك قطعة الشغل بيدك أو سنداها بجسمك، فستظل غير مستقرة، وقد يؤدي هذا إلى فقدانك السيطرة.

## 3.2 إرشادات إضافية للسلامة

- ◀ اقتصر على استخدام المنتج والملحق وهما في حالة سليمة من الناحية الفنية.
- ◀ لا تقم أبداً بإجراء أية تدخلات أو تغييرات على المنتج أو الملحق.
- ◀ قبل بدء الأعمال افحص نطاق العمل من حيث وجود توصيلات كهربائية مدفونة أو مواسير الغاز والماء. الأجزاء المعدنية الخارجية بالمنتج يمكن أن تتسبب في صدمة كهربائية أو انفجار، إذا قمت بإتلاف إحدى توصيلات التيار أو ماسورة الغاز أو الماء.
- ◀ احتفظ بفتحات التهوية مكشوفة دائماً. خطر حدوث حرائق بسبب فتحات التهوية المغطاة!
- ◀ احرص أثناء استخدام المنتج على ارتداء نظارة واقية وواق للسمع وقفاز واق.
- ◀ استخدم واقياً للعينين. الشظايا المتطايرة يمكن أن تصيب الجسم والعيون.
- ◀ يمكن أن يحتوي الغبار الناتج عن التجليخ والسفرة والقطع والثقب على مواد كيميائية خطيرة. بعض الأمثلة: الرصاص أو الدهانات التي تحتوي على الرصاص، القرميد والخرسانة ومنتجات البناء الأخرى وأحجار البناء الطبيعية والمنتجات الأخرى المحتوية على السيليكات، بعض الأخشاب مثل البلوط والزان والأخشاب المعالجة كيميائياً، الأسبستوس أو الخامات المحتوية على الأسبستوس. قم بتحديد مدى تعرض المستخدم والأشخاص المحيطين لفئة خطر الغامات التي يجري العمل عليها. اتخذ التدابير اللازمة للحفاظ على مدى التعرض في مستوى آمن، على سبيل المثال، استخدام نظام تجميع الغبار أو ارتداء كمامة مناسبة للتنفس. تشمل التدابير العامة للحد من مدى التعرض ما يلي:
- ◀ العمل في نطاق جيد التهوية،
- ◀ تجنب ملامسة الغبار لفترة طويلة،



- ◀ إزالة الغبار عن الوجه والجسم،
- ◀ ارتداء بزة واقية وغسل المناطق المكشوفة بالماء والصابون.
- ◀ خطر الإصابة من جراء سقوط الأدوات و/أو الملحقات. تأكد قبل بدء العمل أن البطارية والملحقات المُركبة مثبتة بشكل آمن.
- ◀ لا تقم بتشغيل المنتج حتى تقوم بنقله إلى وضع العمل.
- ◀ أمسك المنتج دائماً من المقابض المخصصة لذلك. حافظ على جفاف ونظافة المقابض.
- ◀ خذ قسطاً من الراحة بشكل متكرر و قم بتمارين استرخاء لسريان الدم في الأصابع بشكل أفضل. عند القيام بأعمال لفترات طويلة، فقد تحدث اضطرابات في الأوعية الدموية أو الجهاز العصبي بسبب كثرة الاهتزازات على الأصابع أو الأيدي أو معصم اليد.
- ◀ لا تنظر بشكل مباشر إلى مصدر الإضاءة (لمبة LED) ولا تقم بتوجيه الإضاءة إلى أوجه أشخاص آخرين. فهذا ينطوي على خطر الإصابة بالعمى!
- ◀ انتظر حتى يتوقف المنتج قبل تخزينه.
- ◀ ارتد قفازات واقية عند تغيير أداة الشغل. ملامسة أداة الشغل قد تؤدي لوقوع إصابات بجروح قطعية وإصابة بحروق!

#### إرشادات سلامة خاصة لمانشير الأركت

- ◀ قم دائماً بإبعاد المنتج عن جسمك عند القطع بالمنشار.
- ◀ لا تضع يدك أبداً أمام أو عند شفرة المنشار.
- ◀ لا تستخدم المنشار في نشر خامات غير معروفة، واحرص على إخلاء مسار القطع بأعلى وأسفل من العوائق.
- ◀ لا تمسك قطعة الشغل من أسفل أثناء القطع بالمنشار.

#### 4.2 التعامل بعناية مع الأجهزة العاملة بالبطاريات واستخدامها

- ◀ احرص على مراعاة إرشادات السلامة التالية للتعامل والاستخدام الآمن لبطاريات أيونات الليثيوم. وعدم مراعاة ذلك قد يؤدي إلى حدوث تهيجات للبشرة، إصابات أكلة بالغة، حروق كيميائية، حرائق و/ أو انفجارات.
- ◀ اقتصر على استخدام البطاريات وهي في حالة سليمة من الناحية الفنية.
- ◀ احرص على التعامل مع البطاريات بعناية لتجنب وقوع أضرار ومنع تسرب السوائل التي قد تضر بالصحة بصورة كبيرة!
- ◀ لا يجوز بأي حال من الأحوال تعديل البطاريات أو العبث بها!
- ◀ لا يجوز تفكيك البطاريات أو سحقها أو وضعها في درجة حرارة أعلى من 80° م (176° ف) أو حرقها.
- ◀ لا تقم باستخدام أو شحن بطاريات تعرضت لصدمات أو أي نوع آخر من الأضرار. افحص البطاريات بشكل دوري بحثاً عن علامات التلف.
- ◀ لا تقم مطلقاً باستخدام بطاريات مُعاد تدويرها أو التي تم إصلاحها.
- ◀ لا تستخدم أبداً البطارية أو أية أداة كهربائية مشغلة بالبطارية كمطرقة.
- ◀ لا تقم مطلقاً بتعريض البطاريات لأشعة الشمس المباشرة أو درجات الحرارة المرتفعة أو تولد الشرر أو اللهب المكشوف. فقد يؤدي ذلك إلى حدوث انفجارات.
- ◀ لا تلمس أقطاب البطارية بأصابعك، أدوات، خُلي أو أية أشياء أخرى موصلة للكهرباء. فقد يؤدي ذلك إلى إلحاق الضرر بالبطارية وحدوث أضرار مادية والإصابات.
- ◀ احتفظ بالبطاريات بعيداً عن الأمطار والبلل والسوائل. فالرطوبة المتسربة قد تتسبب في حدوث قفلات كهربائية، صدمات كهربائية، حرائق وانفجارات.
- ◀ اقتصر على استخدام الشواحن والأدوات الكهربائية المقررة لهذه البطارية. يلزم مراعاة المعلومات الواردة في دليل الاستعمال المعني.
- ◀ لا تقم باستخدام أو تخزين البطارية في النطاقات المُعرضة لخطر الانفجار.
- ◀ في حالة سخونة الشدجدة للبطارية بحيث يتعدى الإمساك بها، فقد تكون تالفة. احرص على وضع البطارية في مكان مرئي وغير قابل للاشتعال مع وجود مسافة كافية من الغامات القابلة للاشتعال. أترك البطارية تبرد. إذا ظلت البطارية ساخنة بعد مرور ساعة لدرجة تعذر لمسها، فهذا يعني أنها تالفة. توجه إلى مركز خدمة Hilti أو اقرأ المستند "إرشادات سلامة واستخدام بطاريات أيونات الليثيوم Hilti".

احرص على مراعاة اللوائح الفاصلة التي تسري على نقل وتخزين واستخدام بطاريات أيونات الليثيوم.

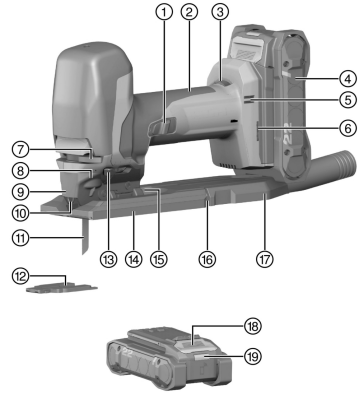
198  

اقرأ إرشادات سلامة واستخدام بطاريات أيونات الليثيوم Hilti، التي يمكنك العثور عليها عن طريق مسح كود الاستجابة السريعة الموجود في نهاية دليل الاستعمال هذا.



**1.3 نظرة عامة على المنتج 1**

- 1 مفتاح التشغيل/الإيقاف
- 2 المقبض
- 3 طارة الضبط الخاصة بوضع ضبط عدد الأشواط
- 4 البطارية
- 5 فتحات التبوية
- 6 فتحة تركيب الملحق
- 7 ذراع تحرير شفرة المنشار
- 8 ظرف تركيب الأدوات
- 9 الغطاء الواقي
- 10 وسيلة الحماية من التلامس
- 11 شفرة المنشار
- 12 واقية انفصال الخامة
- 13 ذراع أوضاع ضبط الأشواط البنودلية
- 14 قاعدة الارتكاز
- 15 التدريج الخاص بضبط زاوية القطع
- 16 خطاف التأمين
- 17 مهايئ شفط
- 18 زر تحرير البطارية
- 19 مبین حالة البطارية


**2.3 الاستخدام المطابق للتعليمات**

- المنتج المشروح عبارة عن منشار أركت بندولي الأشواط يستخدم باليد ويعمل بالبطارية. وهو مصمم لنشر الخامات البلاستيكية والخشبية والمعدنية وكذلك الألواح الجصية والليفية.
- المنتج مُجهز بفتحة توصيل قابلة للفك لشفاط غبار اختياري، والتي تم تصميمها للاستخدام مع خراطيم الشفافات المتداولة. لغرض توصيل خرطوم الشفط بالمنتج، قد يلزم وجود مهايئ مناسب.
- اقتصر على استخدام بطاريات أيونات الليثيوم Nuron من Hilti من النوع B 22 مع هذا المنتج. لتحقيق القدرة المثالية، توصي Hilti باستخدام البطاريات المذكورة بالجدول الوارد بنهاية دليل الاستعمال هذا مع هذا المنتج.
  - اقتصر على استخدام شواحن Hilti من الأنواع المذكورة بالجدول الوارد بنهاية دليل الاستعمال هذا لشحن هذه البطاريات.
  - اقتصر على استخدام شفرات المنشار من نوع T مع هذا المنتج (ساق أحادية الكامة).

**3.3 الاستخدام الخاطئ المحتمل**

- لا يجوز استخدام المنتج لنشر أفرع وجذوع الشجر.
- لا يجوز استخدام المنتج لمعالجة الخامات الصارة بالصحة.
- لا يجوز استخدام المنتج لإجراء أعمال في محيط رطب.

**4.3 بيانات بطارية أيونات الليثيوم**

يمكن لبطاريات أيونات الليثيوم Hilti Nuron عرض حالة الشحن وبلاغات الأخطاء وحالة البطارية.

**1.4.3 عرض حالة الشحن وبلاغات الأخطاء**

**خطر الإصابة بسبب سقوط البطارية!**

- بينما البطارية مركبة، تأكد بعد الضغط على زر التمرير أنك قمت بإعادة تثبيت البطارية بشكل صحيح في المنتج المُستخدم.

لكي يتسنى الموصول على أحد البيانات التالية، اضغط لوهلة قصيرة على زر تحرير البطارية.

وأيضاً يتم باستمرار عرض حالة الشحن وكذلك الاختلالات المُحتملة طوال فترة تشغيل المنتج الموصول.



الحالة	الاستعمال
تضيء أربع لمبات LED (4) باستمرار باللون الأخضر	حالة الشحن: 100 % إلى 71 %
تضيء ثلاث لمبات LED (3) باستمرار باللون الأخضر	حالة الشحن: 70 % إلى 51 %
تضيء لمبتا LED (2) باستمرار باللون الأخضر	حالة الشحن: 50 % إلى 26 %
تضيء لمبة LED واحدة (1) باستمرار باللون الأخضر	حالة الشحن: 25 % إلى 10 %
تومض لمبة LED واحدة (1) ببطء باللون الأخضر	حالة الشحن: > 10 %
تومض لمبة LED واحدة (1) بسرعة باللون الأخضر	بطارية أيونات الليثيوم فارغة الشحنة تمامًا. اشحن البطارية. إذا استمر وميض لمبة LED بسرعة بعد شحن البطارية، توجه إلى مركز خدمة Hilti.
تومض لمبة LED واحدة (1) بسرعة باللون الأصفر	هناك تحميل زائد على بطارية أيونات الليثيوم أو المنتج المرتبط بها أو بهما سخونة زائدة أو برودة زائدة أو بهما خطأ آخر. اعمل على توفير درجة حرارة العمل الموصى بها للمنتج والبطارية، واحرص على ألا يتعرض المنتج للتحميل الزائد عند استخدامه. إذا استمر وجود البلاغ، توجه إلى مركز خدمة Hilti.
تضيء لمبة LED واحدة (1) باللون الأصفر	بطارية أيونات الليثيوم والمنتج المرتبط بها ليسا متوافقين. يُرجى التوجه إلى مركز خدمة Hilti.
تومض لمبة LED واحدة (1) بسرعة باللون الأحمر	تم تعطيل بطارية أيونات الليثيوم ولا يمكن مواصلة استخدامها. يُرجى التوجه إلى مركز خدمة Hilti.

### 2.4.3 عرض حالة البطارية

للاستفسار عن حالة البطارية، احتفظ بزر التحرير مضغوطاً لمدة تزيد على ثلاث ثوانٍ. لا يكتشف النظام أي عطل محتمل في البطارية بسبب سوء الاستخدام، على سبيل المثال السقوط أو الثقب أو الأضرار الخارجية بفعل الحرارة، وما إلى ذلك

الحالة	الاستعمال
تضيء جميع لمبات LED كخط إضاءة متتابع، وبعد ذلك تضيء لمبة LED واحدة (1) باستمرار باللون الأخضر.	لا يزال من الممكن استخدام البطارية.
تضيء جميع لمبات LED كخط إضاءة متتابع، وبعد ذلك تومض لمبة LED واحدة (1) بسرعة باللون الأصفر.	تعذر إتمام الاستعلام عن حالة البطارية. كرر العملية أو توجه إلى مركز خدمة Hilti.
تضيء جميع لمبات LED كخط إضاءة متتابع، وبعد ذلك تضيء لمبة LED واحدة (1) باستمرار باللون الأحمر.	إذا كان لا يزال من الممكن استخدام منتج موصل، تكون قدرة البطارية المتبقية أقل من 50%. إذا لم يعد من الممكن استخدام منتج موصل، فهذا يعني أن البطارية في نهاية عمرها الافتراضي ويجب تغييرها. يُرجى التوجه إلى مركز خدمة Hilti.

### 5.3 تجهيزة نفخ النشارة

تقوم تجهيزة نفخ النشارة بتمرير تيار هواء إلى شفرة المنشار، وذلك لإخلاء خط القطع من النشارة.

### 6.3 عدد الأشواط

يمكن ضبط عدد الأشواط من طارة الضبط. الوضع 1 يطابق 800 شوط في الدقيقة والوضع 6 يطابق 3000 شوط في الدقيقة.

### 7.3 الحركة البندولية رباعية الدرجات

يمكن من خلال الحركة البندولية رباعية الدرجات مواءمة قدرة القطع والمقطع مع الخامة المراد قطعها. يتم التحويل بين الدرجات الأربع عن طريق ذراع وضع ضبط الأشواط البندولية.  
كلما كانت حافة القطع نظيفة ودقيقة، كانت درجة الحركة البندولية المُختارة أصغر. يمكن احتساب وضع الضبط المثالي من خلال عدة محاولات عملية.



الحالة	الاستعمال
الدرجة 0	لا توجد حركة بندولية
الدرجة 1	حركة بندولية صغيرة
الدرجة 2	حركة بندولية متوسطة
الدرجة 3	حركة بندولية كبيرة

### 8.3 واقية انفصال الخامة

يمكن تجهيز المنتج بواقية انفصال الخامة. يتم من خلال واقية انفصال الخامة منع انفصال السطح الخارجي عند قطع الخامات الخشبية.

### 9.3 الإيقاف الأوتوماتيكي للمنتج

بمجرد أن يتم الضغط على مفتاح التشغيل/الإيقاف لأطول من 15 دقيقة بلا توقف (على سبيل المثال أثناء النقل أو التخزين)، يتم إيقاف المنتج أوتوماتيكيًا. وبذلك يتم حماية البطارية من تفريغ الشحن.

### 10.3 مجموعة التجهيزات الموردة

المنشار الأركت بندولي الأشواط مع شفرة المنشار، الغطاء الواقي، مهايئ الشفط، واقية انفصال الخامة، دليل الاستعمال، المفتاح سداسي الرأس.  
تجد المزيد من منتجات النظام المسموح بها لمنتجك لدى متجر **Hilti Store** أو على موقع الإنترنت: [www.hilti.group](http://www.hilti.group)

## 4 المواصفات الفنية

### 1.4 المنشار الأركت بندولي الأشواط

<b>SJT 6-22</b>	
02	جيل المنتج
21.6 فلت	الجهد الكهربائي الاسمي
2.1 كجم	الوزن حسب EPTA Procedure 01 بدون البطارية
28 مم	مستوى الارتفاع
800 لفة/دقيقة ... 3,000 لفة/دقيقة	عدد الأشواط بلا حمل (n)
150 مم	أقصى قدرة قطع في الخشب
25 مم	أقصى قدرة قطع في الألومنيوم
10 مم	أقصى قدرة قطع في الفولاذ غير المسبوك
0 درجة ... 45 درجة	زاوية القطع (يسار/يمينًا)
27.5 مم	القطر الخارجي لمهايئ الشفط
20° - 70° م	درجة حرارة التخزين
17° - 60° م	درجة الحرارة المحيطة أثناء التشغيل

### 2.4 معلومات الضوضاء وقيم الاهتزاز

تم قياس ضغط الصوت وقيم الاهتزاز الواردة في هذا الدليل طبقاً لأحد معايير القياس المحددة ويمكن الاستعانة بها في إجراء مقارنة بين الأدوات الكهربائية مع بعضها البعض. وهي مناسبة أيضاً لتقدير حجم المخاطر بصورة أولية.

المواصفات الواردة تتعلق بالاستخدامات الأساسية للأداة الكهربائية. أما إذا تم استخدام الأداة الكهربائية في تطبيقات أخرى مع أدوات شغل مخالفة للمواصفات أو دون صيانة كافية، ففي هذه الحالة قد تختلف المواصفات. وقد يزيد هذا من نسبة المخاطر طوال مدة العمل بصورة واضحة. وللحصول على تقدير دقيق لحجم المخاطر ينبغي أيضاً مراعاة الأوقات التي يتم فيها إيقاف الجهاز أو التي يتم فيها تشغيل الجهاز ولكن دون استخدام حقيقي. وقد يقلل هذا من نسبة المخاطر طوال مدة العمل بصورة واضحة.



احرص على اتخاذ إجراءات إضافية للسلامة من شأنها حماية المستخدم من تأثير الضجيج و/أو الاهتزازات مثل: صيانة الأداة الكهربائية وأدوات الشغل والحفاظ على الأيدي في حالة دافئة وتنظيم مراحل العمل.

يمكن العثور على معلومات تفصيلية حول الإصدارات المُستخدمة هنا وفقًا للمواصفات في الصورة **EN 62841**- الخاصة ببيان المطابقة 253.

### قيم الضجيج المنبعث

<b>SJT 6-22</b>	
99 ديسيبل (A)	مستوى شدة الصوت ( $L_{WA}$ )
5 ديسيبل (A)	نسبة التفاوت لمستوى شدة الصوت ( $K_{WA}$ )
91 ديسيبل (A)	مستوى ضغط الصوت ( $L_{pA}$ )
5 ديسيبل (A)	نسبة التفاوت لمستوى ضغط الصوت ( $K_{pA}$ )

### قيم الاهتزاز الإجمالية

<b>SJT 6-22</b>		
5.2 م/ثانية <sup>2</sup>	<b>B 22-55</b>	قيمة انبعاثات الاهتزاز لنشر ألواح الخشب المضغوط ( $a_{hB}$ )
5.3 م/ثانية <sup>2</sup>	<b>B 22-255</b>	
8.5 م/ثانية <sup>2</sup>	<b>B 22-55</b>	قيمة انبعاثات الاهتزاز أثناء النشر في لوح معدني ( $a_{hM}$ )
7.2 م/ثانية <sup>2</sup>	<b>B 22-255</b>	
1.5 م/ثانية <sup>2</sup>		نسبة التفاوت (K)

### 3.4 البطارية

21.6 فلت	جهد تشغيل البطارية
انظر نهاية دليل الاستعمال هذا	وزن البطارية
17° ... 60° م	درجة الحرارة المحيطة أثناء التشغيل
20° ... 40° م	درجة حرارة التخزين
10° ... 45° م	درجة حرارة البطارية عند بدء الشحن

### 5 التحضير للعمل

#### تحذير

- خطر الإصابة من خلال التشغيل غير المقصود!**
- تأكد قبل إدخال البطاريات أن الجهاز المختص مطفأ.
  - اخلع البطارية قبل إجراء عمليات ضبط الجهاز أو تغيير أجزاء الملحقات التكميلية.

تراجع إرشادات الأمان والإرشادات التحذيرية الواردة في هذا المستند وعلى الجهاز.

### 1.5 شحن البطارية

- قبل الشحن، قم بقراءة دليل استعمال جهاز الشحن.
- احرص على أن تكون أطراف تلامس البطارية وجهاز الشحن نظيفة وجافة.
- قم بشحن البطارية باستخدام شاحن مصرح به. 191

### 2.5 تركيب البطارية

#### تحذير

**خطر الإصابة من خلال قفلة كهربائية أو سقوط البطارية!**

- تأكد قبل تركيب البطاريات في الجهاز من عدم وجود أجسام غريبة بين أطراف توصيل البطارية والجهاز.
  - تأكد من تثبيت البطارية بشكل صحيح دائماً.
- اشحن البطارية لآخرها تماماً قبل التشغيل لأول مرة.
  - قم بتحريك البطارية في المنتج إلى أن تستقر في موضعها بصوت مسموع.





3. تفحص البطارية من حيث ثباتها في موضعها بشكل جيد.

### 3.5 خلع البطارية

1. اضغط على زر تحرير البطارية.
2. اسحب البطارية من المنتج.

### 4.5 تركيب شفرة المنشار 2

1. اضغط شفرة المنشار (الأسنان في اتجاه القطع) في ظرف تركيب الأدوات إلى أن تثبت.
2. تحقق من مدى إحكام قفل شفرة المنشار عن طريق جذبها.

### 5.5 تركيب الغطاء الواقي 3

◀ قم بتريك الغطاء الواقي من الأمام على المنتج، إلى أن يثبت.

لا يمكن تركيب الغطاء الواقي إلا إذا كانت قاعدة الارتكاز في الوضع العادي (زاوية القطع ٠°).  
 196

### 6.5 تركيب مهايئ الشفط 4

1. ادفع مهايئ الشفط من الخلف بشكل أفقي في قاعدة الارتكاز، إلى أن يثبت خطافا التأمين على الجانب.
2. قم بتوصيل خرطوم شفاط الغبار بمهايئ الشفط.

### 7.5 تركيب واقية انفصال الخامة 5

◀ اضغط واقية انفصال الخامة من أسفل في قاعدة الارتكاز.

لا يمكن استخدام واقية انفصال الخامة إلا لشفرة المنشار المحددة.  
 لا يمكن استخدام واقية انفصال الخامة إلا إذا كانت قاعدة الارتكاز في الوضع العادي (زاوية القطع ٠°).  
 196

### 8.5 تجهيزة الحماية من السقوط



**تحذير**

**خطر الإصابة** من جراء أدوات الشغل وأو الملحقات المتساقطة!

- ◀ اقتصر على استخدام حزام تثبيت أداة الشغل من Hilti الموصى به لمنتجك.
- ◀ افحص نقطة تثبيت حزام تثبيت أداة الشغل قبل كل استخدام بمأ عن الأضرار المحتملة.
- ◀ لا تقم بتثبيت حزام تثبيت أداة الشغل على خطاف الحزام. لا تستخدم خطاف الحزام لرفع المنتج.

احرص على مراعاة اللوائح المحلية لبلدك للعمل على المرتفعات.



اقتصر على استخدام توليفة مكونة من تجهيزة التأمين ضد السقوط Hilti مع حزام تثبيت أداة الشغل #2261970 من Hilti كتجهيزة حماية من السقوط مع هذا المنتج.

- ◀ قم بتثبيت تجهيزة التأمين ضد السقوط في فتحات تركيب الملحق. تحقق من التثبيت الآمن.
- ◀ قم بتثبيت مشبك حزام تثبيت أداة الشغل على تجهيزة التأمين ضد السقوط والمشبك الثاني ببيكل داعم. تحقق من التثبيت الآمن للمشبكين.

احرص على مراعاة دليل الاستعمال الخاص بتجهيزة التأمين ضد السقوط Hilti وأيضًا حزام تثبيت أداة الشغل Hilti.

### 6 الاستعمال

تراجع إرشادات الأمان والإرشادات التحذيرية الواردة في هذا المستند وعلى الجهاز.



**i** يعمل شفاط الغبار على تقليل درجة التلوث بالغبار ورفع درجة الأمان أثناء العمل من خلال توفير رؤية أفضل للقطع، كما يمنع زيادة تلوث مكان العمل بسبب الغبار والنشارة.

1. قم بتركيب الغطاء الواقي. 195
2. احرص دائماً على استخدام شفاط غبار في حالة القيام لفترة طويلة نسبياً بالتعامل مع الخشب أو الخامات التي قد ينشأ معها تركيزات عالية من الغبار.

**2.6 ضبط زاوية القطع** 

1. قم بفك فك مهائئ الشفط. 196
2. قم بفك البرغي بقاعدة الارتكاز.
3. اضبط زاوية القطع المرغوبة (من 0° إلى 45° في كلا الاتجاهين).
  - ◀ عندما تكون زاوية القطع مضبوطة على 0°، تكون قاعدة الارتكاز في وضعية مقاومة للالتواء. لكي يتسنى ضبط زاوية القطع، يتعين أولاً سحب قاعدة الارتكاز إلى الخلف.
  - ◀ إذا قمت بإعادة ضبط قاعدة الارتكاز على زاوية قطع مقدارها 0°، فحزك قاعدة الارتكاز بعد ذلك إلى الأمام مرة أخرى لتثبيتها في وضعية مقاومة للالتواء.
4. أعد ربط البرغي.
  - ◀ تصعب قاعدة الارتكاز مُحكّمة التثبيت.

**3.6 التشغيل**

**i** تضمن وظيفة الأمان عدم بدء تشغيل المنتج، إلا إذا تم تشغيل المنتج أولاً ثم تركيب البطارية. حرّك مفتاح التشغيل/الإيقاف إلى الخلف ثم إلى الأمام مجدداً.

- ◀ حرك مفتاح التشغيل/الإيقاف إلى الأمام.

**4.6 النشر الغاطس**

1. اضبط ذراع وضع ضبط الأشواط البندولية على الوضع 0.
2. ضع المنتج بالحافة الأمامية لقاعدة الارتكاز على قطعة الشغل.
3. أمسك المنتج واضغط على مفتاح التشغيل/الإيقاف.
4. اضغط المنتج جيداً باتجاه قطعة الشغل ثم اغرس من خلال تقليل زاوية الشغل.
5. إذا قمت بعمل مسار قطع بقطعة الشغل، فقم بإرجاع المنتج إلى وضع العمل العادي.
- ◀ قاعدة الارتكاز مستقرة بكامل مساحتها.
6. واصل عملية النشر بطول خط القطع.

**5.6 الإيقاف**

- ◀ حرّك مفتاح التشغيل/الإيقاف إلى الخلف.

**7 الفخ**
**1.7 فك مهائئ الشفط** 

1. اضغط على خطافي التأمين للداخل.
2. اخلع مهائئ الشفط من قاعدة الارتكاز بسحبه للخلف.
3. اخلع خرطوم شفاط الغبار من مهائئ الشفط.

**2.7 خلع الغطاء الواقي** 

- ◀ قم بإزالة الغطاء الواقي بعض الشيء واجذبه للأمام لخلعه.



**تحذير**

- خطر الإصابة.** إخراج شفرة المنشار بشكل خارج عن السيطرة يمكن أن يؤدي لحدوث إصابات.
- ◀ حافظ على المنتج عند إخراج شفرة المنشار بحيث لا يؤدي إخراج شفرة المنشار إلى إصابة أي إنسان أو حيوان.
  - ◀ قم بتحريك ذراع تحرير شفرة المنشار إلى الجانب حتى النهاية.
  - ◀ يتم تحرير شفرة المنشار وإخراجها.

**8 العناية والصيانة**
**تحذير**
**خطر الإصابة عند تكون البطارية مركبة!**

- ◀ احرص على خلع البطارية دائما قبل جميع أعمال الإصلاح والعناية!

**العناية بالمنتج**

- احرص على إزالة الاتساخات شديدة الالتصاق مع توخي الحرص.
- في حالة وجودها، قم بتنظيف فتحات التهوية بحرص باستخدام فرشاة جافة وناعمة.
- قم بتنظيف جسم المنتج باستخدام قطعة قماش مُبللة بعض الشيء. لا تستخدم مواد عناية محتوية على سيليكون، نظراً لأنها قد تؤدي إلى تلف الأجزاء البلاستيكية.
- استخدم قطعة قماش نظيفة وجافة لتنظيف ملامسات المنتج.

**العناية ببطاريات أيونات الليثيوم**

- لا تقم مطلقاً باستخدام بطارية ذات فتحات تهوية مسدودة. قم بتنظيف فتحات التهوية بحرص باستخدام فرشاة جافة وناعمة.
- تجنب تعريض البطارية للغبار أو الاتساخات دون داع. لا تقم مطلقاً بتعرض البطارية للرطوبة المرتفعة (على سبيل المثال، غمرها في الماء أو تركها تحت الأمطار).
- في حالة بلل البطارية، تعامل معها كبطارية تالفة. اعزل البطارية في وعاء غير قابل للاشتعال وتوجه إلى مركز خدمة Hilti.
- حافظ على البطارية خالية من الزيت والشحم الخارجي. لا تسمح للغبار أو الاتساخات بالتراكم دون داع على البطارية. قم بتنظيف البطارية باستخدام فرشاة جافة وناعمة أو قطعة قماش نظيفة وجافة. لا تستخدم مواد عناية محتوية على سيليكون، نظراً لأنها قد تؤدي إلى تلف الأجزاء البلاستيكية.
- لا تلمس ملامسات البطارية ولا تقم بإزالة الشحم الموجود من قبل المصنع عن الملامسات.
- قم بتنظيف جسم المنتج باستخدام قطعة قماش مُبللة بعض الشيء. لا تستخدم مواد عناية محتوية على سيليكون، نظراً لأنها قد تؤدي إلى تلف الأجزاء البلاستيكية.

**الصيانة**

- احرص بصورة منتظمة على فحص الأجزاء المرئية من حيث وجود أضرار وافحص عناصر الاستعمال من حيث كفاءتها الوظيفية.
- لا تقم بتشغيل الجهاز في حالة وجود أضرار و/أو اختلالات وظيفية. احرص على إصلاح الجهاز على وجه السرعة لدى خدمة Hilti.
- بعد أعمال العناية والإصلاح قم بتركيب جميع تجهيزات الحماية وافحصها من حيث الأداء الوظيفي السليم.

للتشغيل الآمن اقتصر على استخدام قطع الغيار الأصلية وخامات الشغل. تجد قطع الغيار وخامات الشغل والملحقات المصرح بها من Hilti للمنتج الخاص بك في متجر **Hilti Store** أو على موقع الإنترنت: [www.hilti.group](http://www.hilti.group)

**1.8 تنظيف وصلة مهايئ الشفط**

1. قم بفك فك مهايئ الشفط. 196
2. قم بتنظيف مهايئ الشفط.
3. تأكد من عدم وجود أضرار بخطاف التأمين.
4. قم بتركيب مهايئ الشفط. 195



1. احرص بصفة منتظمة على إزالة رواسب الراتينج من شفرات المنشار المُستخدمة.
2. ضع شفرات المنشار لمدة 24 ساعة في الكيروسين أو أحد مذيبات الراتينج المتوفرة في الأسواق.

## 9 نقل وتخزين أدوات الشغل العاملة بطارية والبطاريات

### النقل

#### ⚠️ احترس:

#### التشغيل غير مقصود عند النقل !

◀ قم بنقل المنتج دائما بدون البطاريات!

- ◀ اخلع البطارية/البطاريات.
- ◀ لا تقم بنقل البطاريات بكميات كبيرة. ينبغي أثناء النقل حماية البطاريات من الاصطدام العنيف والاهتزازات، وكذلك عزلها عن أية مواد موصلة للكهرباء أو أية بطاريات أخرى، وذلك حتى لا تتلامس مع أقطاب بطاريات أخرى ومن ثم حدوث قفلة كهربائية. احرص على مراعاة تعليمات النقل المحلية للبطاريات.
- ◀ لا يجوز إرسال البطاريات عن طريق البريد. توجه إلى شركة شحن، إذا كنت ترغب في إرسال بطاريات غير تالفة.
- ◀ افحص المنتج والبطاريات من حيث وجود أضرار قبل كل استخدام وقبل وبعد النقل لمسافة طويلة.

### التخزين

#### ⚠️ تحذير

#### أضرار غير مقصودة بسبب البطاريات التالفة أو التي بها تسريب !

- ◀ قم بتخزين المنتج دائما بدون البطاريات!
- ◀ احرص على تخزين المنتج والبطاريات في مكان بارد وجاف. احرص على مراعاة القيم الحدية لدرجات الحرارة الواردة في المواصفات الفنية.
- ◀ لا تحتفظ بالبطاريات على جهاز الشحن. قم دائما بإزالة البطارية من الشاحن بعد انتهاء عملية الشحن.
- ◀ لا تقم أبداً بتخزين البطاريات تحت أشعة الشمس أو في مصادر الحرارة أو خلف الزجاج.
- ◀ احرص على تخزين المنتج والبطاريات والاحتفاظ به بعيداً عن متناول الأطفال والأشخاص غير المصرح لهم .
- ◀ افحص المنتج والبطاريات من حيث وجود أضرار قبل كل استخدام وقبل وبعد التخزين لفترة طويلة.

## 10 المساعدة في حالات الاختلالات

في حالات حدوث الاختلالات، قم بمراقبة بيان حالة الشحن وبيان الأخطاء للبطارية. انظر الفصل بيانات بطارية أيونات الليثيوم.

عند حدوث اختلالات غير مذكورة في الجدول أو يتعدى عليك معالجتها بنفسك، فيرجى التوجه إلى مركز خدمة Hilti.

الخلل	السبب المحتمل	الحل
شفرة المنشار تسقط.	شفرة المنشار مثبتة بشكل غير صحيح.	<ul style="list-style-type: none"> <li>◀ أعد إجراء عملية الشد.</li> <li>◀ يُراعى أن يكون طرف تركيب الأدوات مفتوحاً تماماً، وأن تكون شفرة المنشار مضغوطة باتجاه المقاومة.</li> </ul>
يتعذر تمرير شفرة المنشار.	نظام الشد به اتساخات.	<ul style="list-style-type: none"> <li>◀ قم بتنظيف طرف تركيب الأدوات.</li> </ul>
يتعذر ضبط الحركة البندولية.	نظام الشد به اتساخات.	<ul style="list-style-type: none"> <li>◀ قم بتنظيف حز ذراع الأشواط البندولية من الاتساخات.</li> </ul>
المركبة البندولية لا تعمل.	آلية الحركة البندولية مُتسخة.	<ul style="list-style-type: none"> <li>◀ افحص ما إذا كان هناك اتساخات في نطاق الشوكة البندولية، قم بإزالة هذه الاتساخات.</li> </ul>



الخلل	السبب المحتمل	الحل
الحركة البندولية لا تعمل.	ذراع الأشواط البندولية في الوضع "0".	اضبط القيمة المرغوبة.
شحنة البطارية تفرغ بشكل أسرع من المعتاد.	درجة حرارة محيطه شديدة الانخفاض.	اترك البطارية تسخن ببطء حتى درجة حرارة الغرفة.
البطارية لا تثبت بصوت طقطقة مسموع.	طرف التثبيت بالبطارية مُتسخ.	قم بتنظيف طرف التثبيت ثم قم بتركيب البطارية مجدداً.
تنشأ سخونة شديدة في المنتج أو في البطارية.	عطل كهربائي	قم بإيقاف المنتج على الفور، اخلع البطارية وافحصها جيداً، ثم اتركها تبرد واتصل بمركز خدمة Hilti.
لمبات LED بالبطارية لا تشير لشيء	البطارية بها عطل	توجه إلى مركز خدمة Hilti.

## 11 التكبين



- خطر الإصابة من جراء التكبين غير المطابق للتعليمات!** خطر على الصحة من جراء الغازات والسوائل المتسربة.
- لا تقم بإرسال أو توريد بطاريات تالفة!
  - قم بتغطية التوصيلات باستخدام مادة غير موصلة للكهرباء وذلك لتجنب حدوث قفلات كهربائية.
  - تخلص من البطاريات بحيث لا تصل إلى متناول الأطفال.
  - تخلص من البطارية لدى متجر **Hilti Store** أو توجه إلى مركز التخلص من النفايات المخفص.

منتجات **Hilti** مصنوعة بنسبة كبيرة من مواد قابلة لإعادة التدوير. يشترط لإعادة التدوير أن يتم فصل الخامات بشكل سليم فنياً. في كثير من الدول تقوم **Hilti** باستعادة جهازك القديم لإعادة الانتفاع به. توجه بأستلكتك لخدمة عملاء **Hilti** أو لمستشار المبيعات.

لا تعلق الأدوات الكهربائية، الأجهزة الإلكترونية والبطاريات ضمن القمامة المنزلية!

## 12 ضمان الجبة الصانعة

- في حالة وجود أية استفسارات بخصوص شروط الضمان، يرجى التوجه إلى وكيل **Hilti** المحلي التابع لك.

## 13 مزيد من المعلومات

تجد مزيداً من المعلومات حول الاستعمال والتقنية والبيئة وإعادة التدوير تحت الرابط التالي:  
[qr.hilti.com/manual/?id=2264217&id=2264218](http://qr.hilti.com/manual/?id=2264217&id=2264218)  
 تجد هذا الرابط أيضاً في نهاية المستند ككود QR.



# オリジナル取扱説明書

## 1 取扱説明書について

### 1.1 本取扱説明書について

- 警告事項！ 本製品をご使用になる前に、同梱の取扱説明書と指示事項、安全上の注意、警告表示、図および製品仕様を読んで、その内容を理解してください。特に、すべての指示事項、安全上の注意、警告表示、図、製品仕様、構成部品と機能に精通しているようにしてください。これを怠ると、感電、火災、および/または重傷事故の危険があります。後日確認できるように、取扱説明書とすべての指示事項、安全上の注意、警告表示を保管しておいてください。
- 製品はプロ仕様で製作されており、その使用、保守、修理を行うのは、認定を受けトレーニングされた人のみに限ります。これらの人は、遭遇し得る危険に関する情報を入手していなければなりません。製品およびアクセサリーの使用法を知らない者による誤使用、あるいは規定外の使用は危険です。
- 製品に同梱されている取扱説明書は、印刷の時点で最新の技術状況を反映しています。オンラインのHilti製品ページで常に最新バージョンをご確認ください。これについては、本取扱説明書のリンク、またはQRコード(📄の記号)に従ってください。
- 他の人が使用する場合には、本製品とともにこの取扱説明書を一緒にお渡しください。

### 1.2 記号の説明

#### 1.2.1 警告表示

警告表示は製品の取扱いにおける危険について警告するものです。以下の注意喚起語が使用されています：

危険

危険！

▶ この表記は、重傷あるいは死亡事故につながる危険性がある場合に注意を促すために使われます。

警告

警告！

▶ この表記は、重傷あるいは死亡事故につながる可能性がある場合に注意を促すために使われます。

注意

注意！

▶ この表記は、身体の負傷あるいは物財の損傷が発生する可能性がある場合に使われます。

#### 1.2.2 取扱説明書の記号

この取扱説明書では、以下の記号が使用されています：

	取扱説明書に注意してください
	本製品を効率良く取り扱うための注意事項や役に立つ情報
	リサイクル可能な部品の取扱い
	電動工具およびバッテリーを一般ゴミとして廃棄してはなりません
	Hilti Li-Ion バッテリー
	Hilti 充電器

#### 1.2.3 図中の記号

図中では以下の記号が使用されています：

	この数字は本取扱説明書冒頭にある該当図を示しています。
	付番は図中の作業手順の順序に対応していて、本文の作業手順とは一致しない場合があります。



<b>11</b>	概要図には項目番号が付されていて、製品概要セクションの凡例の番号に対応しています。
	この記号は、製品の取扱いの際に特に注意が必要なことを示しています。

### 1.3 製品により異なる記号

#### 1.3.1 追加記号

本書および製品では、さらに以下の記号が使用されている場合があります：

$n_0$	無負荷ストール速度
—	直流
Li-Ion	Li-Ion バッテリー
	本製品は、iOS および Android プラットフォームと互換性のある NFC テクノロジーをサポートしています。
	バッテリーは決して打撃工具として使用しないでください。
	バッテリーは落下させないでください。ぶつけたり、あるいはその他の理由で損傷しているバッテリーは使用しないでください。

## 2 安全

### 2.1 電動工具の一般安全注意事項

**警告事項** 本電動工具に付属のすべての安全上の注意、指示事項、図、および製品仕様をお読みください。以下の指示を守らないと、感電、火災および / または重傷事故の危険があります。  
**安全上の注意および指示事項が書かれた説明書はすべて大切に保管してください。**  
 安全上の注意で使用する用語「電動工具」とは、お手持ちの電動ツール(電源コード使用) またはバッテリーツール(コードレス) を指します。

#### 作業環境に関する安全

- ▶ 作業場はきれいに保ち、十分に明るくしてください。ちらかった暗い場所での作業は事故の原因となります。
- ▶ 爆発の危険性のある環境(可燃性液体、ガスおよび粉じんのある場所) では電動工具を使用しないでください。電動工具から火花が飛散し、粉じんや揮発性ガスに引火する恐れがあります。
- ▶ 電動工具の使用時、子供や無関係者を作業場へ近づけないでください。作業中に気がそらされると、本体のコントロールを失ってしまう恐れがあります。

#### 電気に関する安全注意事項

- ▶ 電動工具の接続プラグは電源コンセントにきちんと適合しなければなりません。プラグは絶対に変更しないでください。保護接地した電動工具と一緒にアダプタープラグを使用しないでください。オリジナルのプラグと適切なコンセントを使用することにより、感電の危険を小さくすることができます。
- ▶ パイプ、ラジエーター、電子レンジ、冷蔵庫などのアースされた面に体の一部が触れないようにしてください。体が触れると感電の危険が大きくなります。
- ▶ 電動工具を雨や湿気から保護してください。電動工具に水が浸入すると、感電の危険が大きくなります。
- ▶ 電動工具を持ち運んだり、吊り下げたり、コンセントからプラグを抜いたりするときは、必ず本体を持ち、電源コードを持ったり引っ張ったりしないでください。電源コードを火気、オイル、鋭利な刃物、可動部等に触れる場所に置かないでください。電源コードが損傷したり絡まったりしていると、感電の危険が大きくなります。
- ▶ 屋外工事の場合には、必ず屋外専用の延長コードを使用してください。屋外専用の延長コードを使用すると、感電の危険が小さくなります。
- ▶ 湿った場所で電動工具を動作させる必要がある場合は、漏電遮断器を使用してください。漏電遮断器を使用すると、感電の危険が小さくなります。

#### 作業者に関する安全

- ▶ 電動工具を使用の際には、油断せずに十分注意し、常識をもった作業をおこなってください。疲れている場合、薬物、医薬品服用およびアルコール飲用による影響下にある場合には電動工具を使用しないでください。電動工具使用中の一瞬の不注意が重傷の原因となることがあります。



- ▶ 個人用保護具および保護メガネを常に着用してください。負傷の危険を低減するために、電動工具の使用状況に応じた粉じんマスク、耐滑性の安全靴、ヘルメット、耳栓などの個人用保護具を着用してください。
- ▶ 電動工具の意図しない始動を防止して下さい。電動工具を電源および / またはバッテリーに接続する前や本体を持ち上げたり運んだりする前に、本体がオフになっていることを必ず確認してください。オン / オフスイッチが入っている状態で電動工具のスイッチに指を掛けたまま運んだり、電源に接続したりすると、事故の原因となる恐れがあります。
- ▶ 電動工具のスイッチを入れる前に、必ず調節キーやレンチを取り外してください。調節キーやレンチが本体の回転部に装着されたままでは、けがの原因となる恐れがあります。
- ▶ 作業中は不安定な姿勢をとらないでください。足元を安定させ、常にバランスを保つようにしてください。これにより、万一電動工具が異常状況に陥った場合にも、適切な対応が可能となります。
- ▶ 作業に適した作業着を着用してください。だぶだぶの衣服や装身具を着用しないでください。髪、衣服、手袋を本体の可動部に近づけないでください。だぶだぶの衣服、装身具、長い髪が可動部に巻き込まれる恐れがあります。
- ▶ 吸じんシステムの接続が可能な場合には、これらのシステムが適切に接続、使用されていることを確認してください。吸じんシステムを利用することにより、粉じん公害を防げます。
- ▶ 電動工具の取扱いに熟練している場合にも、正しい安全対策を遵守し、電動工具に関する安全規則を無視しないでください。不注意な取扱いは、ほんの一瞬で重傷事故を招くことがあります。

#### 電動工具の使用および取扱い

- ▶ 無理のある使用を避けてください。作業用途に適した電動工具を使用してください。適切な電動工具の使用により、能率よく、スムーズかつ安全な作業が行えます。
- ▶ スイッチが故障している場合には、電動工具を使用しないでください。スイッチで始動および停止操作のできない電動工具は危険ですので、修理が必要です。
- ▶ 本体の設定やアクセサリの交換を行う前や本体を保管する前には電源プラグをコンセントから抜き、および / または脱着式のバッテリーを取り外してください。この安全処置により、電動工具の意図しない始動を防止することができます。
- ▶ 電動工具をご使用にならない場合には、子供の手の届かない場所に保管してください。電動工具に関する知識のない方、本説明書をお読みでない方による本体のご使用は避けてください。未経験者による電動工具の使用は危険です。
- ▶ 電動工具とアクセサリは慎重に手入れしてください。可動部分が引っ掛かりなく正常に作動しているか、電動工具の運転に影響を及ぼす各部分が破損・損傷していないかを確認してください。電動工具をご使用になる前に、損傷部分の修理を依頼してください。事故の多くは保守管理の不十分な電動工具の使用が原因となっています。
- ▶ 先端工具は鋭利で汚れない状態を保ってください。お手入れのゆきとどいた先端工具を使用すると、作業が簡単かつ、スムーズになります。
- ▶ 電動工具、アクセサリ、先端工具などは、それらの説明書に記載されている指示に従って使用してください。その際は、作業環境および用途についてもご注意ください。指定された用途以外に電動工具を使用すると危険な状況をまねく恐れがあります。
- ▶ グリップとグリップ面は乾燥した清潔な状態に保ち、オイルやグリスの付着がないようにしてください。グリップやグリップ面が滑りやすい状態になっていると、予期していない状況が発生した際に電動工具を安全に使用 / 制御できません。

#### バッテリー工具の使用および取扱い

- ▶ バッテリーを充電する場合は、必ずメーカー推奨の充電器を使用してください。特定タイプのバッテリー専用の充電器を他のバッテリーに使用すると、火災の恐れがあります。
- ▶ 電動工具には、必ず指定されたバッテリーを使用してください。指定以外のバッテリーを使用すると、負傷や火災の恐れがあります。
- ▶ 使用されていないバッテリーの近くに、事務用クリップ、硬貨、キー、釘、ネジ、その他の小さな金属物を置かないでください。電気接点の短絡が起こることがあります。バッテリーの電気接点間が短絡すると、火傷や火災が発生する危険があります。
- ▶ 正しく使用しないと、液漏れが発生することがあります。その場合、漏れた液には触れないでください。もしも触れてしまった場合は、水で洗い流してください。バッテリー液が眼に入った場合は、水で洗い流してから医師の診察を受けてください。流出したバッテリー液により、皮膚が刺激を受けたり火傷を負う恐れがあります。
- ▶ 損傷したあるいは変更が加えられたバッテリーは使用しないでください。損傷したあるいは変更が加えられたバッテリーは、予測不可能な挙動により爆発あるいは負傷事故を発生させる危険があります。
- ▶ バッテリーは火気あるいは高温に曝さないでください。火気あるいは 130 °C (265 °F) を超える高温は、爆発の原因となることがあります。
- ▶ 充電に関するすべての指示事項に従い、バッテリーあるいはバッテリー工具は、決して取扱説明書に記載された温度範囲外で充電しないでください。正しくない充電あるいは許容温度範囲外での充電により、バッテリーが破壊され火災が発生する危険があります。





## サービス

- ▶ 電動工具の修理は必ず認定サービスセンターにお申し付けください。また、必ず純正部品を使用してください。これにより電動工具の安全性が確実に維持されます。
- ▶ 損傷したバッテリーは決して手入れや保守を行わないでください。バッテリーの保守作業はすべて、メーカーあるいは権限のあるお客様サービスセンターが行うものとします。

## 2.2 往復運動するソーブレードによる切断に関する安全上の注意

- ▶ 作業の実施に伴い先端工具が隠れている電線に接触する可能性がある場合は、電動工具を絶縁されたグリップ面で保持するようにしてください。通電しているケーブルと接触すると、本体の金属部分にも電圧がかかり、感電の危険があります。
- ▶ 工具はクランプ、あるいはその他の方法で安定した土台に確実に固定してください。作業材料を手あるいは体で保持しようとするとう不安定さが残り、コントロールを失う危険があります。

## 2.3 その他の安全上の注意

- ▶ 本製品とアクセサリは、必ず技術的に問題のない状態で使用してください。
- ▶ 本製品あるいはアクセサリには、決して加工や改造を加えないでください。
- ▶ 作業を開始する前に、作業領域に埋設された電線、ガス管や水道管がないかを調査してください。電線、ガス管あるいは水道管を損傷すると、本製品外側の金属部分での感電事故、あるいは爆発が発生する可能性があります。
- ▶ 通気溝は常にふさがないようにしてください。通気溝が覆われることによる火傷の危険！
- ▶ 本製品の使用時には、アイシールド、耳栓および保護手袋を着用してください。
- ▶ アイシールドを着用してください。破片が身体の一部、眼などを傷つけることもあります。
- ▶ 研磨、紙やすり研磨、切断および穿孔の際に発生する粉じんは、化学物質を含んでいる場合があります。これには、鉛、あるいは鉛ベースの塗料、レンガ、コンクリートおよびその他の壁用資材、自然石およびその他の珪酸塩含有製品、樫などの特定の木材、および化学処理の施された木材、アスベストあるいはアスベストが含まれる母材、などが考えられます。作業対象の資材の危険等級により、作業者および周囲の人員の曝露を確認してください。曝露を安全なレベルに維持するために、粉じん吸引システムの使用、あるいは適切な防じんマスクの着用などの必要な処置を取ってください。曝露の低減のための一般的な処置としては、以下のようなものがあります：
  - ▶ 十分に換気された領域での作業
  - ▶ 粉じんと長時間の接触の回避
  - ▶ 粉じんを顔や体から遠ざける
  - ▶ 保護服を着用し、水と石鹸で曝露領域を洗浄する。
- ▶ 落下する先端工具および / またはアクセサリによる負傷の危険。作業を開始する前に、バッテリーおよび取り付けたアクセサリが確実に固定されていることを確認してください。
- ▶ 本製品は、作業位置に運んでからスイッチを入れるようにしてください。
- ▶ 本製品は必ず所定のグリップで確実に保持してください。グリップは乾燥した清潔な状態を保ってください。
- ▶ 頻繁に休憩を取って、指を動かして血行を良くするように心がけてください。長時間作業の際には、強い振動により指、手あるいは手首の関節の血管あるいは神経系に障害が発生する可能性があります。
- ▶ ランプ(LED) を直接のぞき込んだり、LED で他の人の顔を照射したりしないでください。眼がくらむ恐れがあります！
- ▶ 本製品は停止するまで置かないでください。
- ▶ 先端工具を交換する際には保護手袋を着用してください。先端工具に触れると、切創事故や火傷の原因となることがあります！

## ジグソー特有の安全上の注意

- ▶ 切断時には必ず本体を身体から離すように操作してください。
- ▶ 決してソーブレードの前に手を差し出したり、ソーブレードに触れたりしないでください。
- ▶ 未知の母材には決して切断を行わないでください。切断ラインの上部および下部に障害物がないようにしてください。
- ▶ 切断中は、作業材料の下部を掴まないでください。

## 2.4 バッテリーの慎重な取扱いおよび使用

- ▶ Li-Ion バッテリーの安全な取扱いと使用のために、以下の安全上の注意を遵守してください。これを守らないと、皮膚の炎症、重篤な腐食負傷、化学火傷、火災および / あるいは爆発の原因となることがあります。
- ▶ バッテリーは、必ず技術的に問題のない状態で使用してください。



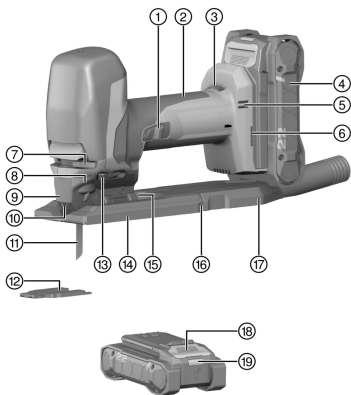
- ▶ 損傷を防止して健康にとってきわめて危険なバッテリー液の漏出を防ぐため、バッテリーは慎重に取り扱ってください！
- ▶ バッテリーは決して改造したり手を加えたりしないでください！
- ▶ バッテリーを分解したり、挟んだり、80°C (176°F) 以上に加熱したり、燃やしたりしないでください。
- ▶ ぶつかけたり、あるいはその他の損傷を受けたバッテリーは、使用したり充電したりしないでください。バッテリーは、損傷の痕跡がないか定期的に点検してください。
- ▶ リサイクルあるいは修理されたバッテリーは、決して使用しないでください。
- ▶ バッテリーまたはバッテリー式電動工具は、決して打撃工具として使用しないでください。
- ▶ バッテリーは、決して直射日光、高温、火花の発生、裸火に曝さないでください。これを守らないと、爆発の原因となることがあります。
- ▶ バッテリーの電極に、指、工具、装身具あるいはその他の導電性のある物体で触れないようにしてください。これを守らないと、バッテリーの損傷、物財の損傷および負傷の原因となることがあります。
- ▶ バッテリーを雨、湿気、液体から保護してください。バッテリー内に湿気が入り込むと、短絡、感電、火傷、火災あるいは爆発の原因となることがあります。
- ▶ 必ずご使用のバッテリータイプ用に指定された充電器と電動工具を使用してください。これについては、充電器や電動工具の取扱説明書の記述を確認してください。
- ▶ バッテリーは、爆発の可能性がある場所で使用あるいは保管しないでください。
- ▶ バッテリーが掴むことのできないほどに熱くなっている場合は、故障している可能性があります。バッテリーを、目視確認が可能で可燃物のない場所に、可燃性の資材から十分な距離を設けて置いてください。バッテリーを冷ます。1時間の経過後にも掴むことのできないほどに熱い場合は、そのバッテリーは故障している可能性があります。Hilti サービスセンターにご連絡いただくか、あるいは「Hilti の Li-Ion バッテリーの安全と使用についての注意事項」をお読みください。



Li-Ion バッテリーの搬送、保管および使用に適用される特別の規則を遵守してください。 211  
本取扱説明書巻末の QR コードをスキャンして、Hilti の Li-Ion バッテリーの安全と使用についての注意事項をお読みください。

### 3 製品の説明

#### 3.1 製品概要



- ① ON/OFF スイッチ
- ② グリップ
- ③ ストローク速度調整つまみ
- ④ バッテリー
- ⑤ 通気溝
- ⑥ アクセサリーの取り付用開口部
- ⑦ ソーブレードリリースレバー
- ⑧ チャック
- ⑨ カバー
- ⑩ ガード
- ⑪ ソーブレード
- ⑫ 切屑ガード
- ⑬ オービタル調整レバー
- ⑭ ベースプレート
- ⑮ 切断角度設定用スケール
- ⑯ 保持フック
- ⑰ 集じんアダプター
- ⑱ バッテリーロック解除ボタン
- ⑲ バッテリーステータス表示

#### 3.2 正しい使用

本書で説明している製品は、手持ち式の充電式オービタルジグソーです。本製品は、プラスチック、木材、金属、石膏ボードおよびファイバーボードを切断するためのものです。

本製品には、オプションの集じん機用の取外し可能な接続ピースが装備されています、これは市販の集じん機ホースに対応しています。吸じんホースを本体と接続するには、適切なアダプターが必要になる場合があります。



- 本製品には、必ずHilti Nuron の B 22 シリーズの Li-Ion バッテリーを使用してください。最適な出力を得るため、Hilti は本製品に対して本取扱説明書の巻末の表に記載されているバッテリーをお勧めします。
- これらのバッテリーには、必ず本取扱説明書の巻末の表に記載されているシリーズのHilti の充電器を使用してください。
- 本製品には、必ず T シャンク (ジグソーブレードホルダー) 付きソーブレードを使用してください。

### 3.3 考えられる誤った使用

- 本製品は木の枝や丸太の切断には使用できません。
- 本製品は、健康を損なう危険のある母材には使用できません。
- 本製品は、湿気の多い環境での作業には使用できません。

### 3.4 Li-Ion バッテリーのインジケーター

Hilti Nuron Li-Ion バッテリーは、充電状態、エラーメッセージ、およびバッテリーの状態を表示することができます。

#### 3.4.1 充電状態およびエラーメッセージの表示



**警告**

**負傷の危険 バッテリーの落下!**

- ▶ バッテリーを装着した状態でリリースボタンを押した後は、バッテリーを確実に正しく使用する製品に再ロックするようにしてください。

次の表示を確認するには、バッテリーのリリースボタンを短く押してください。  
充電状態および不具合は、接続されている製品がオンになっている間常時表示されます。

状態	意味
4 個の LED (4) が常時緑色で点灯	充電状態: 100 %...71 %
3 個の LED (3) が常時緑色で点灯	充電状態: 70 %...51 %
2 個の LED (2) が常時緑色で点灯	充電状態: 50 %...26 %
1 個の LED (1) が常時緑色で点灯	充電状態: 25 %...10 %
1 個の LED (1) がゆっくり緑色で点滅	充電状態: < 10 %
1 個の LED (1) が高速で緑色で点滅	Li-Ion バッテリーは完全に放電しています。バッテリーを充電してください。 バッテリーの充電の後にも LED が高速で点滅する場合は、Hilti サービスセンターにご連絡ください。
1 個の LED (1) が高速で黄色で点滅	Li-Ion バッテリーまたは接続されている製品が過負荷、過熱、低温の状態にあるか、あるいはその他の不具合が発生しています。 製品とバッテリーを推奨動作温度にし、使用時に製品が過負荷にならないようにしてください。 メッセージが引き続き出力される場合は、Hilti サービスセンターにご連絡ください。
1 個の LED (1) が黄色で点灯	Li-Ion バッテリーとそれと接続されている製品とに互換性がありません。Hilti サービスセンターにご連絡ください。
1 個の LED (1) が高速で赤色で点滅	Li-Ion バッテリーはロックされていて、使用できません。Hilti サービスセンターにご連絡ください。

#### 3.4.2 バッテリーの状態に関する表示

バッテリーの状態を確認するには、リリースボタンを 3 秒を超えて押し続けてください。システムは、落下、異物の貫入、外部の熱源による損傷などの誤った使用に起因するバッテリーの機能異常については検知しません。

状態	意味
すべての LED がチェイサーライトとして点灯し、続いて 1 個の LED (1) が常時緑色で点灯。	バッテリーは引き続き使用することができます。



状態	意味
すべての LED がチェイサーライトとして点灯し、続いて 1 個の LED (1) が速く黄色で点滅。	バッテリーの状態確認を終了することができませんでした。手順を繰り返すか、Hilti サービスセンターにご連絡ください。
すべての LED がチェイサーライトとして点灯し、続いて 1 個の LED (1) が常時赤色で点灯。	接続されている製品を引き続き使用できる場合、バッテリーの残り容量は 50% 未満です。 接続されている製品を引き続き使用することができない場合、バッテリーは寿命に達していて交換の必要があります。Hilti サービスセンターにご連絡ください。

### 3.5 切屑ブロー

切屑ブローでソーブレードにエアを吹きつけ、切断ラインから切屑を取り除きます。

### 3.6 ストローク速度

ストローク速度は調整つまみで調整することができます。位置 1 は毎分 800 ストローク、位置 6 は毎分 3000 ストロークとなります。

### 3.7 4 段階のオービタル

4 段階のオービタル設定により、切断能力と切断の質を母材に合わせるすることができます。オービタル調整レバーを使用して、ストローク速度を 4 つの段階のいずれかに設定します。カッティングエッジよりきれいにきめ細かくするには、オービタル設定を低くしてください。テスト切断を行って最適な設定を決めてください。

状態	意味
段階 0	オービタル機能オフ
段階 1	オービタル低
段階 2	オービタル中
段階 3	オービタル高

### 3.8 切屑ガード

本製品には切屑ガードを装備することができます。  
切屑ガードにより、木材を切断する際に表面から切屑が飛散するのを防止します。

### 3.9 本製品の自動スイッチオフ

ON/OFF スイッチが 15 分を経過して押された状態にあると(例：搬送または保管時)、本製品は直ちに自動的にオフになります。これによりバッテリーが著しく放電するのを防止します。

### 3.10 本体標準セット構成

ソーブレード付きオービタルジグソー、カバー、集じんアダプター、切屑ガード、取扱説明書、アレンレンチ。その他の本製品用に許可されたシステム製品については、弊社営業担当または Hilti Store にお問い合わせいただくか、あるいは [www.hilti.group](http://www.hilti.group) でご確認ください。

## 4 製品仕様

### 4.1 オービタルジグソー

	SJT 6-22
製品世代	02
定格電圧	21.6 V
EPTA Procedure 01 に準拠した重量(バッテリーなし)	2.1 kg
ストローク長	28 mm
無負荷ストローク速度 (n <sub>0</sub> )	800/min ... 3,000/min



	<b>SJT 6-22</b>
最大切断能力(木材)	150 mm
最大切断能力(アルミニウム)	25 mm
最大切断能力(非合金鋼)	10 mm
切断角度(左 / 右)	0° ... 45°
集じんアダプターの外径	27.5 mm
保管温度	-20 °C ... 70 °C
作動時の周囲温度	-17 °C ... 60 °C

#### 4.2 騒音および振動値について

本説明書に記載されているサウンドプレッシャー値および振動値は、規格に準拠した測定方法に基づいて測定したものです。電動工具を比較するのにご使用いただけます。曝露値の暫定的な予測にも適しています。記載されているデータは、電動工具の主要な使用方法に対する値です。電動工具を他の用途で使用したり、異なる先端工具を取り付けて使用したり、手入れや保守が十分でないまま使用した場合には、データが異なることがあります。このような相違により、作業時間全体で曝露値が著しく高くなる可能性があります。

曝露値を正確に予測するためには、電動工具のスイッチをオフにしている時間や、電動工具が作動しているにも実際には使用していない時間も考慮しなければなりません。このような相違により、作業時間全体で曝露値が著しく低くなる可能性があります。

作業者を騒音および / または振動による作用から保護するために、他にも安全対策を立ててください(例: 電動工具および先端工具の手入れや保守、手を冷やさないようにする、作業手順の編成)。



この点について適用される **EN 62841** 規格のバージョンについての詳細情報は、適合宣言書の画像 254で確認してください。

#### 騒音排出値

	<b>SJT 6-22</b>
サウンドパワーレベル ( $L_{WA}$ )	99 dB(A)
サウンドパワーレベルの不確実性 ( $K_{WA}$ )	5 dB(A)
サウンドプレッシャーレベル ( $L_{pA}$ )	91 dB(A)
サウンドプレッシャーレベルの不確実性 ( $K_{pA}$ )	5 dB(A)

#### 合計振動値

	<b>SJT 6-22</b>	
排出振動値(クリップボード切断) ( $a_{h,b}$ )	<b>B 22-55</b>	5.2 m/s <sup>2</sup>
	<b>B 22-255</b>	5.3 m/s <sup>2</sup>
排出振動値(金属板切断) ( $a_{h,M}$ )	<b>B 22-55</b>	8.5 m/s <sup>2</sup>
	<b>B 22-255</b>	7.2 m/s <sup>2</sup>
不確実性 (K)		1.5 m/s <sup>2</sup>

#### 4.3 バッテリー

バッテリー作動電圧	21.6 V
バッテリー重量	本取扱説明書の巻末を参照してください
作動時の周囲温度	-17 °C ... 60 °C
保管温度	-20 °C ... 40 °C
充電開始時のバッテリー温度	-10 °C ... 45 °C



## 5 作業準備

### 警告

**負傷の危険 意図しない始動!**

- ▶ バッテリーを装着する前に、バッテリーを装着する製品のスイッチがオフになっていることを確認してください。
- ▶ 本体の設定、またはアクセサリーの交換の前にバッテリーを取り外してください。

本書および製品に記載されている安全上の注意と警告表示に注意してください。

#### 5.1 バッテリーを充電する

1. 充電の前に充電器の取扱説明書をお読みください。
2. バッテリーと充電器の電気接点は汚れがなく、乾燥していることを確認してください。
3. バッテリーは許可された充電器で充電してください。📖 204

#### 5.2 バッテリーを装着する

### 警告

**負傷の危険 短絡あるいはバッテリーの落下!**

- ▶ バッテリーを装着する前に、バッテリーの電気接点と製品の電気接点に異物がないことを確認してください。
- ▶ バッテリーが正しくロックされていることを常に確認してください。

1. はじめてお使いになる前にバッテリーをフル充電してください。
2. ロックの音が聞こえるまでバッテリーを製品へとスライドさせます。
3. バッテリーがしっかりと装着されていることを確認してください。

#### 5.3 バッテリーを取り外す

1. バッテリーのリリースボタンを押します。
2. 製品からバッテリーを抜き取ります。

#### 5.4 ソーブレードを装着する

1. ソーブレードをブレードホルダーに押し込み(歯を切断方向に向ける)かみ合わせます。
2. ソーブレードを引っ張り、しっかりと固定されているか確認します。

#### 5.5 カバーを取り付ける

- ▶ カバーを本体の前にあてがいがいながら、ロック音されるまで挿入します。



カバーは、ベースプレートが通常位置(0°切り込み角度)にある場合にのみ取り付けることができます。📖 209

#### 5.6 集じんアダプターを取り付ける

1. 両方の保持フックの側方がロックされるまで、集じんアダプターを後方からベースプレートへとスライドさせます。
2. 集じん機のホースを集じんアダプターに接続します。

#### 5.7 切屑ガードを取り付ける

- ▶ 切屑ガードを下からベースプレートに押し込みます。



切屑ガードは、それに対応したソーブレードにのみ使用できます。

切屑ガードは、ベースプレートが通常位置(0°切り込み角度)にある場合にのみ使用できます。📖 209



## 5.8 転倒防止装置

### 警告

負傷の危険 先端工具および / あるいはアクセサリーの落下!

- ▶ 必ずご使用の製品用に推奨されているHiltiの工具保持ロープを使用してください。
- ▶ 使用の前に毎回、工具保持ロープの固定ポイントに損傷がないか点検してください。
- ▶ 工具保持ロープをベルトフックに固定しないでください。ベルトフックを製品を持ち上げるために使用しないでください。



ご使用の国において適用される高所での作業に関する規則に注意してください。

本製品の落下防止には、必ずHiltiの落下暴発防止装置およびHiltiの工具保持ロープ#2261970を組み合わせて使用してください。

- ▶ 落下暴発防止装置をアクセサリー用の取り付け開口部に固定してください。しっかりと固定されていることを確認してください。
- ▶ 工具保持ロープのスナップフックを落下暴発防止装置に固定し、第2のスナップフックを支持構造物に固定します。両方のスナップフックがしっかりと固定されていることを確認してください。



Hilti 落下暴発防止装置およびHilti 工具保持ロープの取扱説明書の記載に注意してください。


## 6 ご使用方法

本書および製品に記載されている安全上の注意と警告表示に注意してください。


### 6.1 集じん装置を使用する



集じん装置は粉じんによる負荷を低減し、切断ラインが良く見えるようにして作業の安全性を高め、作業場に撒き散らされる粉じんや切屑の量を大幅に減らします。

1. カバーを取り付けます。  208
2. 比較的長い時間にわたって木材やその他の母材を加工する作業で、粉じんがかなり多く出ることが予想される場合は、必ず集じん装置を使用してください。

### 6.2 切り込み角度を調整する

1. 集じんアダプターを取り外します。  210
2. ベースプレートのネジを緩めます。
3. 希望の切断角度(両側に 0°..45°)を設定します。
  - ▶ 0° 切り込み角度ではベースプレートは回転しない位置にあります。切り込み角度を調整するには、最初にベースプレートを後方に引く必要があります。
  - ▶ ベースプレートを 0° 切り込み角度に戻したら、続いてベースプレートを再び前方へと動かし、ベースプレートを様々な位置にロックさせます。
4. ネジを締め付けます。
  - ▶ ベースプレートはテンションがかかった状態にあります。

### 6.3 スイッチオン



最初に本製品をオンにしそれからバッテリーを装着した場合、安全機能により本製品は始動しません。ON/OFF スイッチを戻し、続いて改めて前方に動かします。

- ▶ ON/OFF スイッチを前方にスライドさせます。

### 6.4 ブランジソーイング

1. オービタル調整レバーを 0 位置にセットします。
2. 本体のベースプレートの前端を作業材料に当てます。





3. 本体を保持して、ON/OFF スイッチを押します。
4. 本体を作業材料にしっかりと押し付け、本体を母材の方に傾けながらブランチを開始します。
5. 作業材料を貫通したなら、本体を通常の作業位置にします。
  - ▶ ベースプレートの面全体を接触させます。
6. 切断ラインに沿って切断を続けます。

## 6.5 スイッチオフ

- ▶ ON/OFF スイッチを後方にスライドさせます。

## 7 取り外し

### 7.1 集じんアダプターを取り外す

1. 両方の保持フックを内側へ押します。
2. 集じんアダプターをベースプレートから後方へ引き抜いてください。
3. 集じん機のホースを集じんアダプターから抜き取ります。

### 7.2 カバーを取り外す

- ▶ カバーを軽く曲げて前方へ引き出します。

### 7.3 ソーブレードを交換する

#### 警告

負傷の危険。 ソーブレードが意図せずを外れて負傷の原因となることがあります。

- ▶ ソーブレードを交換する場合は、ソーブレードが外れる際に人や動物を傷つけることのないように本体を保持してください。
- ▶ ソーブレードリリースレバーをストップ位置まで横へ回します。
  - ▶ ソーブレードがロック解除されて外れます。

## 8 手入れと保守

#### 警告

バッテリーを装着した状態における負傷の危険！

- ▶ 手入れや保守作業の前に必ずバッテリーを取り外してください！

### 製品の手入れ

- 付着した汚れを慎重に除去してください。
- 汚れが付着している場合は、通気溝を乾いた柔らかいブラシを使用して慎重に掃除してください。
- 必ず少し湿した布でハウジングを拭いてください。シリコンを含んだ磨き粉はプラスチック部品をいためる可能性があるので使用しないでください。
- 本製品の電気接点を清掃するには、清潔な乾いた布を使用してください。

### Li-Ion バッテリーの手入れ

- 通気溝が詰まっているバッテリーは決して使用しないでください。通気溝を乾いた柔らかいブラシを使用して慎重に掃除してください。
- バッテリーを不必要に粉じんや汚れに曝さないようにしてください。バッテリーは、決して高い湿度に曝さないでください(例：水中に沈める、あるいは雨中に放置する)。  
水分が浸入したバッテリーは、損傷したものとして取り扱ってください。そのようなバッテリーは不燃性の容器に隔離し、Hilti サービスセンターにご連絡ください。
- バッテリーには、本製品に使用しているのではないオイルやグリスが付着しないようにしてください。バッテリーに不必要な粉じんあるいは汚れが堆積しないようにしてください。バッテリーは、乾いた柔らかいブラシまたは乾いた布で清掃してください。シリコンを含んだ磨き粉はプラスチック部品をいためる可能性があるので使用しないでください。  
バッテリーの電気接点に手を触れないでください、また、工場出荷時に塗布されているグリスを電気接点からぬぐい取らないでください。
- 必ず少し湿した布でハウジングを拭いてください。シリコンを含んだ磨き粉はプラスチック部品をいためる可能性があるので使用しないでください。





## 保守

- 目視確認可能なすべての部品については損傷の有無を、操作エレメントについては問題なく機能することを定期的に点検してください。
- 損傷および/または機能に問題のある場合は、本製品を使用しないでください。速やかにHilti サービスセンターに本製品の修理を依頼してください。
- 手入れおよび保守作業の後は、すべての安全機構を取り付けて、それらが問題なく作動するか点検してください。



安全な作動のために、必ず純正のスペアパーツと消耗品を使用してください。本製品向けにHilti が承認したスペアパーツ、消耗品およびアクセサリは、弊社営業担当またはHilti Store お問い合わせいただくか、あるいは[www.hilti.group](http://www.hilti.group)

### 8.1 集じんアダプターを清掃する

- 集じんアダプターを取り外します。 210
- 集じんアダプターを清掃します。
- 保持フックに損傷がないか確認してください。
- 集じんアダプターを取り付けます。 208

### 8.2 ソーブレードを清掃する

- 使用したソーブレードから付着した樹脂を定期的に取り除きます。
- ソーブレードを 24 時間石油、あるいは市販の樹脂リムーバーに浸します。

## 9 バッテリー式工具およびバッテリーの搬送および保管

### 搬送



**注意**

#### 搬送時の予期しない始動！

- お使いの製品は、必ずバッテリーを装着していない状態で搬送してください！
- バッテリーを取り外してください。
- バッテリーは決して梱包しない状態で搬送しないでください。搬送中のバッテリーは、他のバッテリー電極と接触して短絡の原因となることを防ぐために、過大な衝撃や振動から保護し、あらゆる導電性の物体あるいは他のバッテリーから隔離する必要があります。バッテリーの搬送に関する各国(地域)の規則を遵守してください。
- バッテリーは郵送しないでください。損傷していないバッテリーを送付する場合は、運送業者を手配してください。
- 使用の前にその都度、また長距離の搬送の前後には、製品とバッテリーに損傷がないか点検してください。

### 保管上の注意事項



**警告**

#### 故障したあるいは液漏れしたバッテリーによる予期しない損傷！

- お使いの製品は、必ずバッテリーを装着していない状態で保管してください！
- 製品とバッテリーは涼しくて乾燥した場所に保管してください。製品仕様に記載されている温度の限界値に注意してください。
- バッテリーは充電器内で保管しないでください。充電の後は、必ずバッテリーを充電器から取り出してください。
- バッテリーを太陽の直射下、熱源の上、窓際等で保管しないでください。
- 製品およびバッテリーは、子供や権限のない人が手を触れることのないようにして保管してください。
- 使用の前にその都度、また長期にわたる保管の前後には、製品とバッテリーに損傷がないか点検してください。

## 10 故障時のヒント

すべての不具合において、バッテリーの充電状態および故障インジケータを確認してください。Li-Ion バッテリーのインジケータの章を参照してください。

この表に記載されていない、あるいはご自身で解消することのできない故障が発生した場合は、弊社営業担当またはHilti サービスセンターにご連絡ください。



故障	考えられる原因	解決策
ソーブレードが脱落する。	ソーブレードが正しくロックされていない。	<ul style="list-style-type: none"> <li>▶ ロック手順を繰り返す。</li> <li>▶ ブレードホルダーが完全に開いていて、ソーブレードを抵抗感に抗して押し込むことに注意。</li> </ul>
	クランプシステムが汚れている。	▶ ブレードクランプを清掃してください。
ソーブレードを装着できない。	クランプシステムが汚れている。	▶ ブレードクランプを清掃してください。
オービタルを調整できない。	オービタルレバーの溝が汚れている。	▶ オービタルレバーの溝から汚れを取り除く。
オービタル機能がない。	オービタル機構が汚れている。	▶ オービタルフォーク領域を点検し、汚れがあれば取り除く。
	オービタルレバーが「0」位置。	▶ レバーを希望の値に設定する。
バッテリーの放電が通常よりも早い。	周囲温度が低すぎる。	▶ バッテリーをゆっくり室温まで暖める。
バッテリーが「カチッ」と音がするまでロックされない。	バッテリーのロックノッチが汚れている。	▶ ロックノッチを清掃してバッテリーを改めてロックしてください。
本体あるいはバッテリーが熱くなる。	電氣的故障	▶ 製品の電源を直ちに切ってバッテリーを取り外して観察してください、バッテリーを冷ましてHilti サービスセンターに連絡してください。
バッテリーのLED に何も表示されない	バッテリーの故障	▶ Hilti サービスセンターにご連絡ください。

## 11 廃棄

### 警告

誤った廃棄による負傷の危険！ 漏出するガスあるいはバッテリー液により健康を損なう危険があります。

- ▶ 損傷したバッテリーを送付しないでください！
- ▶ 短絡を防止するために接続部を非導電性のもので覆ってください。
- ▶ バッテリーは子供が手を触れることのないように廃棄してください。
- ▶ バッテリーの廃棄は、最寄りのHilti Store あるいは適切な廃棄物処理業者に依頼してください。

Hilti 製品の大部分の部品はリサイクル可能です。リサイクル前にそれぞれの部品は分別して回収されなければなりません。多くの国でHilti は、古い工具をリサイクルのために回収しています。詳細については弊社営業担当またはHilti 代理店・販売店にお尋ねください。



- ▶ 電動工具、電子機器およびバッテリーを一般ゴミとして廃棄してはなりません！

## 12 メーカー保証

- ▶ 保証条件に関するご質問は、最寄りのHilti 代理店・販売店までお問い合わせください。



### 13 その他の情報

ご使用方法、技術、環境保護およびリサイクルに関するその他の情報については、[qr.hilti.com/manual/?id=2264217&id=2264218](http://qr.hilti.com/manual/?id=2264217&id=2264218) のリンクをご確認ください。

このリンクは、本書の巻末にも QR コードとして記載されています。



## 오리지널 사용 설명서

### 1 사용 설명서 관련 정보

#### 1.1 본 사용 설명서에 관하여

- 경고! 제품을 사용하기 전에, 제품과 함께 제공되는 사용 설명서와 설명서에 제시된 지침, 안전상의 주의사항 및 경고사항, 그림 및 사양 등을 잘 읽고 이해해야 합니다. 특히 모든 지침, 안전상의 주의사항 및 경고사항, 그림, 사양과 구성 요소 및 기능을 숙지해야 합니다. 유의하지 않을 경우, 감전, 화재 발생 및/또는 중상을 입을 위험이 있습니다. 추후 사용 시에도 활용할 수 있도록 관련 지침, 안전상의 주의사항 및 경고사항이 포함된 사용 설명서를 잘 보관하십시오.
- **HILTI** 제품은 전문가용으로 설계되어 있으며, 해당 교육을 이수한 공인된 작업자를 통해서만 조작, 유지보수 및 수리 작업을 진행할 수 있습니다. 이 기술자는 발생할 수 있는 위험에 대해 특별 교육을 받은 상태여야 합니다. 교육을 받지 않은 사람이 제품을 부적절하게 취급하거나 규정에 맞지 않게 사용할 경우에는 기기와 그 보조기구에 의해 부상을 당할 위험이 있습니다.
- 함께 제공되는 사용 설명서는 인쇄 시점의 최신 기술 버전을 반영하여 작성됩니다. 최신 버전은 항상 Hilti 제품 사이트의 온라인 버전을 참조하십시오. 온라인 버전을 참고하고자 할 경우, 본 사용 설명서에 제시된 링크 혹은 기호로 표시된 QR 코드를 클릭하십시오.
- 제품을 다른 사람에게 양도할 때는 본 사용 설명서도 반드시 함께 넘겨주십시오.

수입업체(상호)명: 힐티코리아㈜

A/S: 080-220-2000

#### 1.2 기호 설명

##### 1.2.1 경고사항

본 제품을 다루면서 발생할 수 있는 위험에 대한 경고사항. 다음과 같은 시그널 워드가 사용됩니다.



**위험**

위험!

- ▶ 이 기호는 직접적인 위험을 표시합니다. 만약 지키지 않으면 심각한 부상을 당하거나 사망할 수도 있습니다.



**경고**

경고!

- ▶ 이 기호는 잠재적인 위험을 표시합니다. 만약 지키지 않으면 심각한 부상을 당하거나 사망할 수도 있습니다.



**주의**

주의!

- ▶ 이 기호는 잠재적인 위험 상황을 표시합니다. 만약 지키지 않으면 부상 또는 물적 손실을 입을 수 있습니다.

##### 1.2.2 사용 설명서에 사용된 기호

본 사용 설명서에서 사용되는 기호는 다음과 같습니다.



사용 설명서에 유의하십시오



2264218

	적용 지침 및 기타 유용한 사용정보
	재사용이 가능한 자재 취급방법
	전기 기기 및 배터리를 일반 가정의 쓰레기처럼 폐기해서는 안 됨
	Hilti 리튬 이온 배터리
	Hilti 충전기

### 1.2.3 그림에 사용된 기호

그림에 다음과 같은 기호가 사용됩니다.

	이 숫자는 본 사용 설명서 첫 부분에 있는 해당 그림을 나타냅니다.
3	매겨진 숫자는 작업 단계의 순서를 나타내며, 텍스트에 매겨진 작업 단계와 차이가 있을 수 있습니다.
	항목 번호는 개요 그림에서 사용되며, 제품 개요 단락에 나와 있는 기호 설명 번호를 나타냅니다.
	이 표시는 제품을 다룰 때, 특별히 주의할 사항을 나타냅니다.

## 1.3 제품 관련 기호

### 1.3.1 추가 기호

본 문서 또는 제품에 추가로 사용되는 기호는 다음과 같습니다.

	공회전 스크로크
	직류
	리튬 이온 배터리
	본 제품은 iOS 및 Android 플랫폼과 호환 가능한 NFC 기술을 지원합니다.
	배터리는 절대 타격 공구로 사용해서는 안 됩니다.
	배터리를 떨어뜨리지 마십시오. 타격을 받은 적이 있거나 다른 손상이 있는 배터리는 사용하지 마십시오.

## 2 안전

### 2.1 전동 공구에 대한 일반적인 안전상의 주의사항

경고 해당 전동 공구와 함께 동봉된 모든 안전상의 주의 사항, 지침, 그림 및 기술자료를 숙지하십시오. 다음과 같은 지침 내용을 준수하지 않으면 전기 충격, 화재가 발생하거나 그리고/또는 중상을 입을 수 있습니다. 앞으로 모든 안전상의 주의사항과 지침을 보관하십시오.

안전상의 주의사항에서 사용되는 "전동 공구"라는 개념은 전원에 연결하여 사용하는 전동 공구(전원 케이블 있음) 또는 배터리를 사용하는 전동 공구(전원 케이블 없음)를 의미합니다.

#### 작업장 안전수칙

- ▶ 작업장을 항상 깨끗이 하고 조명이 잘 들도록 하십시오. 어수선한 작업환경 또는 어두운 작업장은 사고를 초래할 수 있습니다.
- ▶ 인화성 액체, 가스 또는 먼지가 있어 폭발 위험이 있는 환경에서는 전동 공구를 사용하지 마십시오. 전동 공구는 먼지나 증기를 접화시킬 수 있는 스파크를 일으킵니다.
- ▶ 전동 공구를 사용할 때, 어린이들이나 다른 사람들이 작업장에 접근하지 못하도록 하십시오. 다른 사람의 방해로 인해 기기를 통제하기 어렵습니다.



### 전기에 관한 안전수칙

- ▶ 전동 공구의 전원 플러그가 소켓에 잘 끼워져야 합니다. 플러그를 절대 변형시켜서는 안됩니다. 접지된 전동 공구와 함께 아답타 플러그를 사용하지 마십시오. 변형되지 않은 플러그와 적합한 소켓을 사용하면 감전의 위험을 줄일 수 있습니다.
- ▶ 파이프, 히터, 전기레인지, 냉장고와 같은 접지 표면에 신체 접촉을 피하십시오. 신체에 닿을 경우 감전될 위험이 높습니다.
- ▶ 전동 공구가 비에 맞지 않도록 하고 습한 장소에 두지 마십시오. 전동 공구에 물이 들어가면 감전될 위험이 높습니다.
- ▶ 전원 케이블만 잡고 전동 공구를 운반하거나 걸어 놓아서는 안되며, 소켓에서 전원 플러그를 빼낼 때 케이블만 잡은 채로 빼내지 마십시오. 전원 케이블이 열, 오일, 날카로운 모서리 또는 부품의 가동 부위에 접촉하지 않도록 주의하십시오. 손상되거나 서로 꼬인 전원 케이블은 감전 위험을 높입니다.
- ▶ 실외에서 전동 공구를 이용하여 작업할 때, 실외용으로 승인된 연장 케이블만 사용하십시오. 실외용 연장 케이블을 사용하면 감전의 위험을 줄여줍니다.
- ▶ 전동 공구를 습한 환경에서 사용하는 것을 피할 수 없을 경우, 누전 차단기를 사용하십시오. 누전 차단기를 사용하면 감전 위험을 줄일 수 있습니다.

### 사용자 안전수칙

- ▶ 신중하게 작업하십시오. 작업에 정신을 집중하고 전동 공구를 사용할 때 경솔하게 행동하지 마십시오. 피곤하거나 항정신성 약물, 술 또는 약물 복용시에는 전동 공구를 사용하지 마십시오. 전동 공구 사용 시에 유의하지 않을 경우 심각한 부상을 초래할 수 있습니다.
- ▶ 안전 장비를 갖추고 보안을 착용하십시오. 전동 공구의 종류와 사용에 따라, 먼지 보호 마스크, 미끄럼 방지용 안전 신발, 안전모 또는 귀마개 등과 같은 안전한 보호장비를 착용하면 부상의 위험을 줄일 수 있습니다.
- ▶ 실수로 기기가 작동하지 않도록 주의하십시오. 전동 공구를 전원 그리고/또는 배터리에 연결하기 전, 보관 또는 운반 전에 전동 공구가 스위치 OFF 상태인지 확인하십시오. 전동 공구 운반 시 스위치에 손가락을 대거나 스위치가 켜진 상태에서 전원을 연결하면 사고를 유발할 수 있습니다.
- ▶ 전동 공구의 스위치를 켜기 전, 조정공구 또는 렌치를 제거하십시오. 기기 회전부에 남아있는 공구나 렌치로 인해 부상을 입을 수 있습니다.
- ▶ 작업 시 비정상적인 자세는 피하십시오. 안전한 작업자세가 되도록 하고, 항상 균형을 유지하십시오. 이렇게 하여 예기치 않은 상황에서도 전동 공구를 잘 제어할 수 있습니다.
- ▶ 적합한 작업복을 착용하십시오. 헐렁한 복장이나 장식품을 착용하지 마십시오. 작동하는 기기 가동 부위에 머리, 옷 그리고 장갑이 가까이 닿지 않도록 주의하십시오. 헐렁한 복장, 장식품 혹은 긴 머리가 가동 부위에 말려 들어갈 수 있습니다.
- ▶ 먼지 제거장치나 수거장치를 설치할 수 있는 기기의 경우, 이 장치들이 연결되어 있는지 그리고 제대로 작동되는지를 확인하십시오. 먼지 포집장치 사용은 먼지로 인한 위험을 줄여줄 수 있습니다.
- ▶ 이 전동 공구를 여러번 사용해왔다고 해서 안전하다고 안심하지 말고 전동 공구에 해당되는 안전 규칙을 무시하지 마십시오. 부주의하게 행할 경우 아주 짧은 순간에 중상을 입을 수 있습니다.

### 전동 공구의 취급과 사용

- ▶ 기기에 과부하가 걸리지 않도록 하십시오. 귀하의 작업에 적합한 전동 공구를 사용하십시오. 적합한 전동 공구를 사용하면, 지정된 성능 한도 내에서 더 효율적으로 안전하게 작업할 수 있습니다.
- ▶ 스위치가 고장난 전동 공구는 사용하지 마십시오. 스위치가 작동되지 않는 전동 공구는 위험하므로, 반드시 수리를 해야 합니다.
- ▶ 기기 세팅을 실행, 액세서리를 교환 또는 기기를 보관하기 전에 컨택터를 전원소켓에서 그리고/또는 탈착식 배터리를 기기에서 빼놓으십시오. 이러한 조치는 실수로 전동 공구가 작동하지 않도록 방지합니다.
- ▶ 사용하지 않는 전동 공구는 어린이들의 손이 닿지 않는 곳에 보관하십시오. 기기 사용에 익숙치 않거나 또는 이 안전수칙을 읽지 않은 사람이 기기를 사용해서는 안 됩니다. 비숙련자가 전동 공구를 사용하면 위험합니다.
- ▶ 전동 공구 및 액세서리를 유의해서 관리하십시오. 기기의 가동 부위가 완벽하게 작동하는지, 끼어 있지 않는지, 혹은 부품이 손상되거나 파손되어 있어 전동 공구의 기능을 저하시키지 않는지 점검하십시오. 기기 사용 전 손상된 부품을 수리하도록 하십시오. 제대로 관리되지 않은 전동 공구는 많은 사고를 유발합니다.
- ▶ 절단기기는 날카롭고 깨끗하게 관리하십시오. 날카로운 절단면이 있고 잘 관리된 절단기기는 끼이는 경우가 드물고 조절하기도 쉽습니다.
- ▶ 본 지침에 따라 전동 공구, 액세서리, 공구 비트 등을 사용하십시오. 이 때 작업 조건과 실시하려는 작업 내용을 고려하십시오. 원래 사용 분야가 아닌 다른 작업에 전동 공구를 사용할 경우, 위험한 상황을 초래할 수 있습니다.
- ▶ 손잡이 및 손잡이 표면은 건조하고 깨끗하게, 그리고 오일과 그리스가 묻어있지 않도록 해야 합니다. 미끄러운 손잡이 및 손잡이 표면은 예상치 못한 상황에서 전동 공구를 안전하게 조작하고 제어할 수 없습니다.



## 배터리 공구의 취급과 사용

- ▶ 제조회사가 권장한 충전기에만 배터리를 충전시키십시오. 특정한 형식의 배터리를 사용하도록 규정되어 있는 충전기에 다른 배터리를 사용할 경우 화재 발생의 위험이 있습니다.
- ▶ 전동 공구에 적합하게 규정된 배터리만 사용하십시오. 다른 배터리를 사용하면 부상을 입을 수 있고, 화재가 발생할 수 있습니다.
- ▶ 배터리를 사용하지 않을 경우 클립, 동전, 키, 못, 나사 또는 다른 소형 금속 물질로부터 사용하지 않는 배터리를 멀리 떨어뜨려 놓아주십시오. 배터리 간 단락으로 인한 연소 또는 화재를 초래할 수 있습니다.
- ▶ 잘못 사용할 경우, 배터리로부터 전해액이 흘러나올 수 있습니다. 전해액을 직접 만지지 마십시오. 실수로 만졌을 경우, 물로 씻으십시오. 전해액이 눈에 들어갔으면, 의사와 상담하십시오. 배터리로부터 흘러나온 전해액은 피부를 손상시킬 수 있으며, 화재를 발생시킬 수 있습니다.
- ▶ 손상된 배터리 또는 변경된 배터리를 사용하지 마십시오. 손상된 배터리 또는 변경된 배터리는 예상치 못한 상황 및 화재, 폭발 또는 부상 위험을 초래할 수 있습니다.
- ▶ 배터리에서 불꽃이 발생하거나 또는 배터리가 너무 높은 온도에 노출되지 않게 하십시오. 불꽃 또는 온도가 130 °C (265 °F)를 넘으면 폭발을 일으킬 수 있습니다.
- ▶ 충전에 관한 모든 지침을 준수하여 배터리 또는 배터리 공구를 절대 사용 설명서에 제시된 범위를 벗어난 온도에서 충전하지 마십시오. 잘못 충전하거나 허용된 범위를 벗어난 온도에서 충전하면 배터리가 파손되어 화재 발생 위험이 높아질 수 있습니다.

## 서비스

- ▶ 전동 공구는 반드시 자격을 갖춘 전문 기술자에 의해 그리고 순정 대체부품만 이용하여 수리해야 합니다. 이렇게 하여 기기의 안전성을 계속해서 유지할 수 있습니다.
- ▶ 손상된 배터리를 절대 수리하지 마십시오. 배터리 수리는 제조회사 또는 권한을 위임받은 고객 서비스센터에서만 이루어져야 합니다.

## 2.2 톱날을 왕복으로 움직이는 절단 작업 관련 안전 지침

- ▶ 숨겨진 전선에 공구 비트가 접촉할 수 있는 작업을 실행할 경우, 항상 기기의 절연된 손잡이 부분을 잡으십시오. 전류가 흐르는 전선과 접촉하면 전동공구의 금속 부위를 통해 감전이 될 수도 있습니다.
- ▶ 클램프를 이용하거나 또는 다른 방식으로 견고한 받침대에 고정시키십시오. 손이나 신체로 공작물을 지지하는 것은 불안정하고 제어하기 어려울 수 있습니다.

## 2.3 그 외의 안전상의 주의사항

- ▶ 기술적 하자가 없는 상태에서만 제품 및 액세서리를 사용하십시오.
- ▶ 어떠한 경우에도 제품 또는 액세서리를 변경하거나 개조하지 마십시오.
- ▶ 작업을 시작하기 전에, 작업장에서 가려져 있거나 덮혀 있는 전기 배선, 가스 파이프 그리고 하수도관이 있는지를 점검하십시오. 전기 배선, 가스 파이프 또는 하수도관을 손상시킨 경우, 제품 바깥쪽에 있는 금속 부품에서 감전 또는 폭발을 유발할 수 있습니다.
- ▶ 환기 슬롯은 항상 가려져 있지 않게 하십시오. 숨겨진 환기 슬롯으로 인한 화재 위험!
- ▶ 제품을 사용할 때에는 보안경, 귀마개 및 보호장갑을 착용하십시오.
- ▶ 보안경을 착용하십시오. 재료의 파편으로 인해 눈 등 신체에 부상을 입을 수 있습니다.
- ▶ 샌딩, 연마, 절단 및 드릴링 작업 시 발생하는 먼지에는 위험한 화학물질이 함유되어 있을 수 있습니다. 예를 들어 납 또는 납 계열의 페인트, 벽돌, 콘크리트 및 기타 조적 벽돌 제품, 자연석 및 기타 실리콘 함유 제품, 참나무, 너도밤나무 및 화학 처리된 목재 등과 같은 특정 목재, 석면 또는 석면이 함유된 자재 등이 있을 수 있습니다. 작업하는 자재의 위험 등급을 따라 조작자 및 주변에 있는 사람들의 노출 정도를 결정하십시오. 안전한 수준에서 노출이 이루어질 수 있도록 예를 들어 먼지 포집장치 사용 또는 적합한 보호 마스크 착용 등 필요한 조치를 취하십시오. 노출을 줄일 수 있는 일반적인 조치:
  - ▶ 환기가 잘 되는 곳에서 작업하기,
  - ▶ 장시간 먼지 접촉 피하기,
  - ▶ 얼굴 및 신체의 먼지를 다른 곳으로 털어내기,
  - ▶ 보호복장 착용 및 노출된 영역을 비누와 물로 세척하기.
- ▶ 멀어지는 공구 및/또는 액세서리로 인한 부상 위험. 작업을 시작하기 전에 배터리 및 설치된 액세서리가 안전하게 고정되어 있는지 확인하십시오.
- ▶ 제품을 작업 위치로 가져온 후에만 제품의 전원을 켜십시오.
- ▶ 항상 지정된 손잡이를 잡고 제품을 고정하십시오. 손잡이는 건조하고 깨끗하게 유지하십시오.
- ▶ 손가락의 혈액순환이 잘 되도록 자주 휴식시간을 갖고, 휴식하는 동안 손가락 운동을 하십시오. 장시간 작업하면 강한 진동으로 인해 혈관 장애 또는 손가락, 손 및 손목의 신경 체계에 이상이 있을 수 있습니다.
- ▶ 조명(LED)을 직접 응시하거나 다른 사람의 얼굴을 비추지 마십시오. 실명 위험이 있습니다!
- ▶ 제품을 내려놓기 전에 제품이 완전히 정지할 때까지 기다리십시오.
- ▶ 공구 비트 교체 시 보호장갑을 착용하십시오. 공구 비트에 닿으면 부상을 입거나 화상을 당할 수 있습니다!



### 직소에 대한 안전상의 특별 주의사항

- ▶ 작업 중 재품을 항상 몸에서 떨어뜨리십시오.
- ▶ 톱날의 앞쪽이나 위에 손을 올려놓지 마십시오.
- ▶ 알려지지 않은 모재를 절단하지 말고, 절단 경로 위/아래에 장애물이 없도록 하십시오.
- ▶ 톱질 작업 중 공작물 아래에 손을 두지 마십시오.

### 2.4 배터리의 올바른 사용방법과 취급방법

- ▶ 리튬 이온 배터리를 보다 안전하게 취급하고 사용할 수 있도록 다음과 같은 안전상의 주의 사항에 유의하십시오. 유의하지 않을 경우 피부 자극, 심각한 부식성 부상, 화학 화상, 화재 및/또는 폭발을 유발할 수 있습니다.
- ▶ 기술적 하자가 없는 상태에서만 배터리를 사용하십시오.
- ▶ 배터리를 조심히 다뤄 손상되지 않고, 건강에 유해한 액체가 흘러나오지 않게 하십시오!
- ▶ 배터리는 어떠한 경우에도 개조 또는 변조해서는 안 됩니다!
- ▶ 배터리를 분해하거나 강한 압력 또는 80 °C (176 °F) 이상의 열을 가하거나 연소시켜서는 안 됩니다.
- ▶ 타격을 받은 적이 있거나 다른 손상이 있는 배터리는 사용 또는 충전하지 마십시오. 손상될 기미가 보이는 지 정기적으로 점검하십시오.
- ▶ 재활용 또는 수리한 배터리는 절대 사용하지 마십시오.
- ▶ 배터리 또는 배터리 구성식 전동 공구를 절대 타격 공구로 사용하지 마십시오.
- ▶ 배터리가 직사광선, 고온, 스파크 또는 불꽃에 절대 노출되지 않도록 하십시오. 이로 인해 폭발이 발생할 수 있습니다.
- ▶ 배터리 전극을 손가락, 공구, 장신구 또는 다른 전도성 물체를 통해 만지지 마십시오. 이는 배터리 손상, 물적 손상 및 부상을 유발할 수 있습니다.
- ▶ 배터리가 비 또는 습기 및 액체에 노출되지 않게 하십시오. 습기가 유입되면 단락, 감전, 화재, 불꽃 및 폭발이 일어날 수 있습니다.
- ▶ 배터리 타입에 해당되는 충전기 및 전동공구만 사용하십시오. 이를 위해 해당 사용 설명서에 적혀 있는 내용을 확인하십시오.
- ▶ 폭발 위험이 있는 환경에서 배터리를 사용하거나 보관하지 마십시오.
- ▶ 배터리를 잡기에 너무 뜨거운 경우에는 고장일 수 있습니다. 배터리를 인화성 물질과 충분한 거리를 둔 상태에서 눈에 잘 띄며 불이 잘 붙지 않는 장소에 두십시오. 배터리를 냉각시키십시오. 한 시간 후에도 계속해서 배터리를 잡기에 너무 뜨거운 경우에는 배터리에 결함이 있을 수 있습니다. **Hilti** 서비스 센터에 문의하거나 "안전 및 Hilti 리튬 이온 배터리 작업 관련 지침" 문서 내용을 확인하십시오.



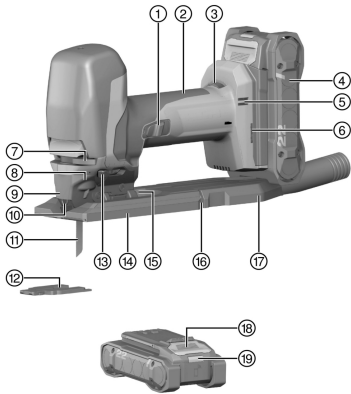
리튬 이온 배터리의 운반, 보관 및 사용 시 적용되는 특수 가이드라인에 유의하십시오. 224

안전 및 Hilti 리튬 이온 배터리 작업 관련 지침은 본 사용 설명서의 끝부분에 제시된 QR 코드를 통해 확인할 수 있습니다.



**3**    **제품 설명**

**3.1**    **제품 개요**



- ① ON/OFF 스위치
- ② 손잡이
- ③ 스트로크 세팅 조정휠
- ④ 배터리
- ⑤ 환기 슬롯
- ⑥ 액세서리용 조립 틸새
- ⑦ 틸날 잠금 해제 레버
- ⑧ 척 아답타
- ⑨ 커버
- ⑩ 접촉 방지 장치
- ⑪ 틸날
- ⑫ 칩 보호 가드
- ⑬ 왕복 스트로크 세팅 레버
- ⑭ 베이스 플레이트
- ⑮ 절단 각도 설정을 위한 눈금
- ⑯ 비계 후크
- ⑰ 흡입 아답터
- ⑱ 배터리 잠금해제 버튼
- ⑲ 배터리 상태 표시기

**3.2**    **규정에 맞는 용도**

기술된 제품은 배터리 구동식 소형 직쏘입니다. 플라스틱, 목재 및 금속 소재와 석고판 및 섬유판 절단 작업에 사용됩니다.

본 제품에는 분리식 먼지 흡입기(옵션)용 커넥터가 장착되어 있으며, 이 커넥터에는 통용되는 흡입 호스를 사용할 수 있습니다. 흡입 호스를 제품에 연결하려면 적합한 아답타가 필요할 수 있습니다.

- 본 제품에는 모델시리즈 B 22의 Hilti Nuron 리튬이온 배터리만 사용하십시오. Hilti는 출력을 최적화할 수 있도록 본 제품에 본 사용 설명서의 끝부분 표에 명시된 배터리를 사용할 것을 권장합니다.
- 해당 배터리에는 본 사용 설명서 끝부분 표에 명시된 모델시리즈의 Hilti 충전기만 사용하십시오.
- 본 제품에는 T자형 생크(캠축) 타입의 틸날만 사용하십시오.

**3.3**    **잘못 사용할 수 있는 경우**

- 나뭇가지 및 나무의 줄기를 절단하기 위해 이 제품을 사용해서는 안 됩니다.
- 본 제품은 건강에 유해한 물질을 가공하는 데 사용해서는 안 됩니다.
- 본 제품은 습한 환경에서 작업하는 데 사용해서는 안 됩니다.

**3.4**    **리튬이온 배터리 표시**

Hilti Nuron 리튬 이온 배터리는 충전 상태, 오류 메시지 및 배터리 상태를 표시할 수 있습니다.

**3.4.1**    **충전 상태 및 오류 메시지 표시**

**⚠ 경고**

부상 위험 떨어지는 배터리로 인한 위험!

- ▶ 배터리가 끼워진 상태에서 잠금해제 버튼을 누른 경우, 배터리가 사용하는 제품에 다시 제대로 고정되었는지 확인하십시오.

다음과 같은 표시를 확인하려면, 배터리 잠금해제 버튼을 짧게 누르십시오.

연결된 제품의 전원이 켜져 있는 동안 충전 상태 및 발생 가능한 기능 장애 내용도 계속 표시됩니다.

상태	의미
4개 LED가 녹색으로 계속 점등됩니다	충전 상태: 100 % ~ 71 %
3개 LED가 녹색으로 계속 점등됩니다	충전 상태: 70 % ~ 51 %





상태	의미
2개 LED가 녹색으로 계속 점등됩니다	충전 상태: 50 % ~ 26 %
1개 LED가 녹색으로 계속 점등됩니다	충전 상태: 25 % ~ 10 %
1개 LED가 녹색으로 느리게 깜박입니다	충전 상태: < 10 %
1개 LED가 녹색으로 빠르게 깜박입니다	리튬이온 배터리가 완전히 방전되었습니다. 배터리를 충전하십시오. 배터리 충전 후에도 계속해서 LED가 빠르게 깜박이면, <b>Hilti</b> 서비스 센터에 문의해 주십시오.
1개 LED가 황색으로 빠르게 깜박입니다	리튬 이온 배터리 또는 배터리와 관련된 제품이 과부하되었거나, 너무 뜨겁거나 차갑거나 또는 다른 오류가 발생했습니다. 제품 및 배터리를 권장하는 작동 온도 상태로 유지하고, 제품을 사용하지 않을 경우 제품에 과부하가 걸리지 않도록 하십시오. 해당 메시지가 계속 존재하는 경우, <b>Hilti</b> 서비스 센터에 문의해 주십시오.
1개 LED가 황색으로 점등됩니다	리튬이온 배터리 및 배터리가 연결된 제품과 호환되지 않습니다. <b>Hilti</b> 서비스 센터에 문의해 주십시오.
1개 LED가 적색으로 빠르게 깜박입니다	리튬이온 배터리 사용이 금지되어 더 이상 사용할 수 없습니다. <b>Hilti</b> 서비스 센터에 문의해 주십시오.

### 3.4.2 배터리 상태 표시

배터리 상태를 조회하려면, 잠금해제 버튼을 3초 이상 누르고 계십시오. 낙하, 틈새 발생, 외부 요인으로 인한 열 손상 등 잘못된 사용으로 인해 시스템에서 잠재적으로 발생할 수 있는 배터리의 오작동을 감지하지 못합니다.

상태	의미
작동 표시등으로 모든 LED가 점등된 후 1개 LED가 녹색으로 계속 점등됩니다.	배터리를 계속해서 사용할 수 있습니다.
작동 표시등으로 모든 LED가 점등된 후 1개 LED가 황색으로 빠르게 깜박입니다.	배터리 상태 조회를 종료할 수 없습니다. 해당 과정을 반복하거나 <b>Hilti</b> 서비스 센터에 문의해 주십시오.
작동 표시등으로 모든 LED가 점등된 후 1개 LED가 적색으로 계속 점등됩니다.	연결된 제품을 계속해서 사용할 수 없는 경우, 남아 있는 배터리 용량이 50% 미만입니다. 연결된 제품을 계속해서 사용할 수 없는 경우, 배터리의 수명이 다 되어 교체해야 합니다. <b>Hilti</b> 서비스 센터에 문의해 주십시오.

### 3.5 칩 제거장치

칩 제거장치는 공기 흐름을 톱날쪽으로 옮겨 절단선에 칩이 남아 있지 않도록 해줍니다.

### 3.6 스트로크

스트로크는 조정휠에서 설정 가능합니다. 위치 1은 1분당 800 스트로크에 해당되며, 위치 6은 1분당 3000 스트로크에 해당됩니다.

### 3.7 4단계 왕복 운동

4단계 왕복 운동을 통해 가공할 소재에 맞춰 절단력 및 단면을 조정할 수 있습니다. 스트로크 세팅 레버를 이용해 4단계 사이에서 전환할 수 있습니다.

절단면이 더 깨끗하고 미세해야 할수록, 왕복 단계를 낮게 선택해야 합니다. 실습 테스트를 거쳐 최적의 설정을 파악할 수 있습니다.

상태	의미
단계 0	왕복 운동 없음
단계 1	작은 왕복 운동
단계 2	중간 왕복 운동
단계 3	큰 왕복 운동



### 3.8 칩 보호 가드

이 제품에는 칩 보호 가드가 장착되어 있습니다.  
칩 보호 가드를 통해 목재 톱질 작업 시 표면 손상을 막을 수 있습니다.

### 3.9 제품의 자동 전원 꺼짐

ON/OFF 스위치가 15 분 이상 계속 눌리는 경우(예 운반 시 또는 보관 시), 제품의 전원이 자동으로 꺼집니다.  
이를 통해 배터리가 과방전되지 않도록 보호합니다.

### 3.10 공급품목

직소(톱날 포함), 커버, 흡입 아답타, 칩 보호 가드, 사용 설명서, 알렌키.  
해당 제품에 허용되는 기타 시스템 제품은 **Hilti Store** 또는 온라인에서 확인할 수 있습니다. [www.hilti.group](http://www.hilti.group)

## 4 기술자료

### 4.1 직소

	SJT 6-22
제품 세대	02
정격 전압	21.6V
<b>EPTA Procedure 01에 따른 종량(배터리 미포함)</b>	2.1kg
스트로크 높이	28mm
공회전 스크로크 ( $n_0$ )	800/min ... 3,000/min
최대 절단력(목재)	150mm
최대 절단력(알루미늄)	25mm
최대 절단력(비합금 강철)	10mm
절단각(좌측/우측)	0° ... 45°
흡입 아답타 외경	27.5mm
보관 온도	-20 °C ... 70 °C
작동 시 주변 온도	-17 °C ... 60 °C

### 4.2 소음 정보 및 진동 값

이 치함에 제시된 음압 및 진동수준은 표준화된 측정방법에 따라 측정된 것이며, 전동 공구를 서로 비교하기 위한 용도로 사용할 수 있습니다. 음압 및 진동 수준은 노출 정도를 사전에 예측하는 데에도 유용하게 사용할 수 있도록 설계되어 있습니다.

제시된 데이터는 전동 공구의 주된 용도를 나타냅니다. 그러나 전동 공구를 다른 용도로 사용하거나 다른 공구 비트를 사용할 경우 또는 유지보수를 충분히 하지 않은 상태에서는 데이터에 편차가 있을 수 있습니다. 이러한 경우 전 작업시간에 걸쳐 노출이 현저하게 증가할 수 있습니다.

노출을 정확하게 평가하기 위해서는 전동 공구 작동이 멈춰 있거나 또는 작동 중이지만 실제로 사용하지 않는 시간도 고려해야 합니다. 이러한 경우 전 작업시간에 걸쳐 노출이 현저하게 감소할 수 있습니다.

사용자를 보호하기 위해 음파 그리고/또는 진동이 작용하기 전에 다음과 같은 추가적인 안전 조치를 취하십시오. 전동 공구와 공구 비트의 유지보수, 손을 따뜻하게 유지, 작업순서 정하기 등.

여기에서 적용된 **EN 62841** 규정의 버전에 관한 세부 정보는 적합성 선언 이미지 254에서 확인할 수 있습니다.

### 소음 배출 값

	SJT 6-22
소음 수준 ( $L_{WA}$ )	99dB(A)
소음 수준 허용공차 ( $K_{WA}$ )	5dB(A)
음압 수준 ( $L_{pA}$ )	91dB(A)
음압 수준 허용공차 ( $K_{pA}$ )	5dB(A)



## 진동 총 값

		SJT 6-22
칩보드 절단 시 진동 배출값 ( $a_{h,b}$ )	B 22-55	5.2m/s <sup>2</sup>
	B 22-255	5.3m/s <sup>2</sup>
철판 절단 진동 배출값 ( $a_{h,m}$ )	B 22-55	8.5m/s <sup>2</sup>
	B 22-255	7.2m/s <sup>2</sup>
허용공차 (K)		1.5m/s <sup>2</sup>

### 4.3 배터리

배터리 모드 전압	21.6V
배터리 무게	사용 설명서의 끝부분 참조
작동 시 주변 온도	-17 °C ... 60 °C
보관 온도	-20 °C ... 40 °C
충전 시작 시 배터리 온도	-10 °C ... 45 °C

## 5 작업 준비

### 경고

부상 위험 돌발적인 작동!

- ▶ 배터리를 끼우기 전에 해당 제품의 전원이 꺼져 있는지 확인하십시오.
- ▶ 기기 설정 또는 액세서리를 교체하기 전에 배터리를 제거하십시오.

본 문서 및 제품에 나와 있는 안전 지침 및 경고 지침에 유의하십시오.

### 5.1 배터리 충전

1. 충전하기 전에 충전기의 사용 설명서를 읽으십시오.
2. 배터리 및 충전기의 접점이 청결하고 건조한 상태인지 확인하십시오.
3. 허용되는 충전기에서 배터리를 충전하십시오. 218

### 5.2 배터리 삽입

#### 경고

부상 위험 부상 위험!

- ▶ 배터리를 끼우기 전에 배터리의 접점 및 제품의 접점에 이물질이 남아 있지 않은지 확인하십시오.
- ▶ 배터리가 제대로 고정되었는지 확인하십시오.

1. 처음으로 사용하기 전, 배터리를 완전히 충전하십시오.
2. 배터리가 제품에 고정되는 소리가 들릴 때까지 미십시오.
3. 배터리가 정확하게 설치되어 있는지 점검하십시오.

### 5.3 배터리 제거

1. 배터리의 잠금 해제 버튼을 누르십시오.
2. 배터리를 제품에서 빼내십시오.

### 5.4 톱날 끼우기

1. 척 아답타에 끼워지는 소리가 들릴 때까지 톱날(절단 방향의 톱니 부분)을 누르십시오.
2. 톱날을 잡아 당겨서 톱날이 정확하게 잠겼는지 점검하십시오.



### 5.5 커버 장착 3

▶ 커버가 소리를 내며 제 자리에 끼워질 때까지 앞에서부터 제품쪽으로 누르십시오.



커버는 베이스 플레이트가 일반 위치(0° 절단 각도)에 있을 때에만 끼울 수 있습니다. 222

### 5.6 흡입 아답터 설치 4

1. 흡입 아답터를 뒤쪽에서 수평 방향으로 베이스 플레이트쪽으로 밀어 측면의 양쪽 후크가 맞물려 고정되도록 하십시오.
2. 먼지 흡입기의 호스를 흡입 아답터에 연결하십시오.

### 5.7 칩 보호 가드 설치 5

▶ 칩 보호 가드를 아래쪽에서 베이스 플레이트에 끼우십시오.



칩 보호 가드는 지정된 톱날에만 사용할 수 있습니다.

칩 보호 가드는 베이스 플레이트가 일반 위치(0° 절단 각도)에 있을 때에만 사용할 수 있습니다.



### 5.8 추락 방지장치

#### 경고

부상위험 떨어지는 공구 및/또는액세서리에 의한 유발!

- ▶ 해당 제품에 권장하는 **Hilti** 공구 고정끈만 사용하십시오.
- ▶ 사용하기 전에 항상 공구 고정끈의 고정점에 손상된 곳이 없는지 확인하십시오.
- ▶ 벨트 후크에 공구 고정끈을 고정시키지 마십시오. 벨트 후크를 제품을 들어 올리는 용도로 사용하지 마십시오.



공중 작업에 대한 국가별 규정에 유의하십시오.

해당 제품의 추락 방지장치로는 **Hilti** 낙하방지 벨트와 **Hilti** 공구 고정끈 #2261970을 결합해서만 사용하십시오.

- ▶ 낙하 방지 벨트를 액세서리의 조립 구멍에 고정시키십시오. 확실하게 고정되었는지 점검하십시오.
- ▶ 공구 고정끈의 카라비너 후크 한쪽을 낙하 방지 벨트에 고정하고, 지지하는 구조물에 다른 카라비너 후크를 고정시키십시오. 두 카라비너 후크가 확실하게 고정되었는지 점검하십시오.



**Hilti** 낙하 방지 벨트 및 **Hilti** 공구 고정끈의 사용 설명서 내용에 유의하십시오.

## 6 조작

본 문서 및 제품에 나와 있는 안전 지침 및 경고 지침에 유의하십시오.

### 6.1 먼지 포집장치 사용



먼지 포집장치는 먼지 오염을 줄이고, 절단 작업의 시야를 개선하여 작업 안전성을 높이며, 먼지 및 칩이 작업장에 쌓이는 것을 방지해줍니다.

1. 커버를 끼우십시오. 222

2. 목재 또는 분진 발생 빈도가 높은 소재를 장시간 동안 작업할 경우에는 항상 먼지 포집장치를 사용하십시오.

### 6.2 절단 각도 설정 6

1. 흡입 아답터를 분리하십시오. 223

2. 베이스 플레이트에서 볼트를 푸십시오.



3. 원하는 절단 각도로 설정하십시오(양쪽 0° ~ 45° 방향으로).
  - ▶ 절단 각도가 0°일 때 베이스 플레이트가 틀어지지 않는 위치에 있습니다. 절단 각도를 설정하려면, 먼저 베이스 플레이트를 뒤쪽으로 당겨야 합니다.
  - ▶ 베이스 플레이트를 다시 절단 각도 0°로 설정한 경우, 틀어지지 않는 위치에서 고정될 수 있도록 베이스 플레이트를 다시 앞쪽으로 밀어야 합니다.
4. 볼트를 다시 조이십시오.
  - ▶ 베이스 플레이트가 단단이 조여졌습니다.

### 6.3 전원 켜기

제품의 전원을 먼저 켜고 이후에 배터리를 끼우면, 안전 기능을 통해 제품이 작동되지 않도록 보호됩니다. ON/OFF 스위치를 뒤쪽으로 밀었다가 다시 앞쪽으로 밀어 주십시오.

- ▶ ON/OFF 스위치를 앞쪽으로 밀어 주십시오.

### 6.4 플런지 절단

1. 왕복 스트로크 세팅 레버를 위치 0으로 전환하십시오.
2. 본 제품을 베이스 플레이트의 전면부 모서리와 함께 공작물 위에 놓으십시오.
3. 제품을 꼭 잡고 ON/OFF 스위치를 누르십시오.
4. 제품을 공작물 방향으로 누른 다음 진입 각도를 줄여서 플런지 동작을 시작하십시오.
5. 공작물을 관통한 경우, 제품을 일반 작업 위치로 가져오십시오.
  - ▶ 베이스 플레이트 전체 면적에 놓여 있습니다.
6. 절단선을 따라 계속 절단하십시오.

### 6.5 전원 끄기

- ▶ ON/OFF 스위치를 뒤쪽으로 미십시오.

## 7 분해

### 7.1 흡입 아답터 분리

1. 양쪽 후크를 안쪽으로 누르십시오.
2. 흡입 아답터를 베이스 플레이트에서 뒤쪽으로 빼내십시오.
3. 먼저 흡입기의 호스를 흡입 아답터로부터 빼내십시오.

### 7.2 커버 분리

- ▶ 커버를 약간 기울인 후 커버를 앞쪽으로 빼내십시오.

### 7.3 톱날 제거

#### 경고

부상 위험. 톱날이 제어되지 않은 상태에서 빠지면 부상을 입을 수 있습니다.

- ▶ 톱날 제거 시 사람 또는 동물이 다치는 일이 없도록 톱날에서 제품을 제거하십시오.
- ▶ 톱날 잠금 해제 레버를 측면 스톱 위치까지 돌리십시오.
  - ▶ 톱날이 풀리면서 빠집니다.

## 8 관리 및 유지보수

#### 경고

배터리가 끼워진 상태에서 부상 위험!

- ▶ 관리 및 수리 작업을 진행하기 전에 항상 배터리를 제거하십시오!

#### 제품 관리

- 공구에 부착되어 있는 오염물질을 조심스럽게 제거하십시오.
- 오염물질이 있는 경우, 부드러운 마른 솔로 환기 솔룩을 조심스럽게 청소하십시오.



- 약간 물기가 있는 수건으로만 하우징을 청소해 주십시오. 플라스틱 부품을 손상시킬 수 있으므로 절대로 실리콘이 함유된 보호제를 사용하지 마십시오.
- 제품의 접점을 청소하려면 깨끗하고 마른 천을 사용하십시오.

#### 리튬 이온 배터리 관리

- 환기 슬롯이 막힌 상태에서는 절대 배터리를 사용하지 마십시오. 부드러운 마른 솔로 환기 슬롯을 조심스럽게 청소하십시오.
- 배터리가 불필요하게 먼지 또는 오염물에 노출되지 않도록 하십시오. 배터리를 절대 습도가 높은 곳에 두지 마십시오(예: 물 속에 담거나 비내리는 곳에 두는 행위).  
배터리에 물이 들어가면, 손상된 배터리처럼 취급하십시오. 물이 들어간 배터리는 비가연성 용기에서 절연시킨 후, Hilti 서비스 센터에 문의해 주십시오.
- 배터리를 외부 오일 및 그리스가 묻지 않도록 깨끗하게 유지하십시오. 배터리에 불필요하게 먼지 또는 오염물이 쌓이지 않도록 하십시오. 배터리를 부드러운 마른 솔 또는 깨끗하고 마른 걸레로 닦아내십시오. 플라스틱 부품을 손상시킬 수 있으므로 절대로 실리콘이 함유된 보호제를 사용하지 마십시오.  
배터리의 접점에 접촉하지 말고, 접점에서 공구축에 부착된 그리스를 제거하지 마십시오.
- 약간 물기가 있는 수건으로만 하우징을 청소해 주십시오. 플라스틱 부품을 손상시킬 수 있으므로 절대로 실리콘이 함유된 보호제를 사용하지 마십시오.

#### 유지보수

- 눈에 보이는 모든 부품을 정기적으로 손상 여부를 점검하고, 조작용소가 문제 없이 작동하는지 점검하십시오.
- 손상되었거나 기능 장애가 있는 경우에는 제품을 작동하지 마십시오. 즉시 Hilti 서비스 센터에 제품 수리를 의뢰하십시오.
- 관리 및 수리 작업 후 모든 보호장치를 가져와 기능에 이상이 없는지 점검하십시오.

안전하게 작동하기 위해서는 순정품 예비 부품 및 소모품만 사용하십시오. Hilti에서 승인한 예비 부품, 소모품 및 액세서리는 Hilti Store 또는 [www.hilti.group](http://www.hilti.group)에서 확인할 수 있습니다.

### 8.1 흡입 아답터 청소

1. 흡입 아답터를 분리하십시오. 223
2. 흡입 아답터를 청소하십시오.
3. 후크가 손상되지 않았는지 점검하십시오.
4. 흡입 아답터를 설치하십시오. 222

### 8.2 톱날 청소

1. 사용한 톱날에서 정기적으로 수지를 제거하십시오.
2. 톱날을 24시간 석유 또는 시중에서 유통되는 수지 제거제에 담가두십시오.

## 9 충전식 공구 및 배터리 운반 및 보관

### 운반

#### 주의

운반 시 돌발적으로 작동됨!

- ▶ 제품은 항상 배터리를 장착하지 않은 상태로 운반하십시오!
- ▶ 배터리를 분리하십시오.
- ▶ 배터리를 고정하지 않은 채로 운반해서는 절대 안 됩니다. 운반하는 도중 배터리에 과도한 충격을 받거나 진동이 발생하지 않게 하고 모든 전도성 소재 또는 다른 배터리로부터 분리시켜 다른 배터리 전극에 닿지 않고 단락이 발생하지 않게 하십시오. 배터리와 관련된 현지 운반 규정에 유의하십시오.
- ▶ 배터리는 우편을 통해 전달할 수 없습니다. 손상이 없는 배터리를 전송하고자 하는 경우 배송업체에 문의하십시오.
- ▶ 제품 및 배터리를 사용하기 전에 그리고 장시간 운반한 후에는 항상 손상 여부를 점검하십시오.

### 보관

#### 경고

배터리 결함 또는 방전으로 인한 돌발적인 손상!

- ▶ 제품은 항상 배터리를 장착하지 않은 상태로 보관하십시오!
- ▶ 제품 및 배터리를 냉각 및 건조시켜 보관하십시오. 기술자료에 제시된 허용 온도 한계값에 유의하십시오.
- ▶ 배터리를 충전기에 보관하지 마십시오. 충전 후에는 항상 배터리를 충전기에서 분리하십시오.



- ▶ 배터리는 절대 직사광선이 들어오는 곳, 열원 위 또는 유리 뒤쪽에 보관하지 마십시오.
- ▶ 제품 및 배터리는 건조한 상태로 어린이나 외부인의 손이 닿지 않는 곳에 보관하십시오.
- ▶ 제품 및 배터리를 사용하기 전에 그리고 장시간 보관한 후에는 항상 손상 여부를 점검하십시오.

## 10 문제 발생 시 도움말

장애 발생 시 항상 배터리의 충전 상태 및 고장 표시 내용에 유의하십시오. 리튬이온 배터리 표시 단원을 참조하십시오.

본 도표에 제시되어 있지 않거나 스스로 해결할 수 없는 문제가 발생한 경우 Hilti 서비스 센터에 문의해 주십시오.

장애	예상되는 원인	해결책
톱날이 떨어짐.	톱날이 제대로 잠기지 않음.	<ul style="list-style-type: none"> <li>▶ 클램핑 과정을 반복하십시오.</li> <li>▶ 척 아답타가 완전히 열려 있고 톱날이 저항에 맞서 놀리는지 확인하십시오.</li> </ul>
	클램핑 시스템 오염됨.	▶ 척 아답타를 청소하십시오.
톱날이 삽입되지 않음.	클램핑 시스템 오염됨.	▶ 척 아답타를 청소하십시오.
왕복 스트로크를 조정할 수 없음.	스트로크 레버의 홈이 더러워짐.	▶ 스트로크 레버의 홈에 있는 불순물을 제거하십시오.
왕복 스트로크가 작동하지 않음.	왕복 메커니즘이 더러워짐.	▶ 포크 영역에 오염 물질이 있는지 점검하고, 이를 제거하십시오.
	왕복 스트로크 레버가 "0" 위치에 있음.	▶ 원하는 값을 설정하십시오.
배터리가 평소보다 더 빨리 방전됨.	주변 온도가 너무 낮음.	▶ 실온에서 배터리를 서서히 따뜻하게 하십시오.
배터리를 밀어 넣을 때 찰칵하는 소리가 들리지 않음.	배터리 래치가 오염됨.	▶ 배터리 래치를 청소하고 배터리를 다시 끼우십시오.
제품 또는 배터리에서 과도한 열 발생.	전기적 결함.	▶ 즉시 제품의 전원을 끄고, 배터리를 분리하여 관찰하면서 열을 식히십시오. Hilti 서비스 센터에 문의하십시오.
배터리의 LED에서 아무런 표시가 없음	배터리 결함	▶ Hilti 서비스 센터에 문의해 주십시오.

## 11 폐기

### 경고

부적절한 폐기로 인한 부상 위험! 새어나오는 가스 또는 용액으로 인한 건강상의 위험.

- ▶ 손상된 배터리는 전달하지 마십시오!
- ▶ 비전도성 소재로 연결 단자를 막아 두어 단락이 발생하지 않게 하십시오.
- ▶ 배터리가 어린이의 손에 닿지 않도록 폐기하십시오.
- ▶ Hilti Store에서 배터리를 폐기하거나 또는 담당 폐기물 처리 업체에 문의하십시오.

Hilti 제품은 대부분 재사용이 가능한 소재로 제작되었습니다. 재활용을 위해 개별 부품을 분리하여 주십시오. Hilti는 대부분의 국가에서 재활용을 위해 노후기를 수거해 갑니다. Hilti 고객 서비스 센터 또는 판매 담당자에게 문의하십시오.



- ▶ 전동 공구, 전자식 기기 및 배터리를 일반 가정 쓰레기로 폐기하지 마십시오!

## 12 제조회사 보증

- ▶ 보증 조건에 관한 질문사항은 현지 Hilti 파트너사에 문의하십시오.




작동법, 기술, 환경 및 재활용에 대한 세부 정보는 [qr.hilti.com/manual/?id=2264217&id=2264218](http://qr.hilti.com/manual/?id=2264217&id=2264218)에서 확인할 수 있습니다.  
해당 링크는 본 문서 끝에 QR 코드 형식으로도 제시되어 있습니다.



## 原始操作說明

### 1 關於操作說明的資訊

#### 1.1 關於本操作說明

- 注意！在使用本產品之前，請確保您已閱讀並瞭解產品隨附的操作說明書，包括說明、安全性和警示注意事項、圖解和規格。尤其是熟悉所有說明、安全性和警示注意事項、圖解、規格、組件和功能。若未遵守，可能會導致觸電、火災和/或嚴重傷害的風險。妥善保存操作說明書，包括所有說明、安全性和警示注意事項，以備日後使用。
- **HILTI** 產品是針對專業使用者設計，故僅經訓練、認可的人員可操作、維修與維護本產品。必須告知上述人員關於可能遭遇到的特殊危險。若因未經訓練人員操作錯誤或未依照其原本的用途操作，則本產品和它的輔助工具設備有可能會發生危險。
- 隨附的操作說明書符合印刷時的最新技術水準。您隨時可在Hilti產品頁面上尋找最新版本。為此，請點選操作說明書中標示  符號的連結或QR碼。
- 將產品交予他人時，必須連同本操作說明書一併轉交。

僅適用於台灣

進口商：喜利得股份有限公司

地址：新北市板橋區

新站路16號24樓22041

電話：0800-221-036

#### 1.2 已使用的符號解釋

##### 1.2.1 警告

警告您在操作或使用本產品時可能發生之危險。採用了以下標示文字：

##### 危險

危險！

- ▶ 此標語警示會發生對人造成嚴重傷害甚至致死的危險情形。

##### 警告

警告！

- ▶ 此標語警示會造成嚴重傷害甚至致死危險的潛在威脅。

##### 注意

注意！

- ▶ 請小心會造成人員受傷或對設備及其他財產造成損害的潛在危險情況。

##### 1.2.2 操作說明中的符號

本操作說明中採用以下符號：



請遵照操作說明





	使用操作說明與其他資訊
	處理可回收的材料
	不可將電子設備與電池當作家庭廢棄物處置
	Hilti 鋰電池
	Hilti 充電器

### 1.2.3 圖解中的符號

圖解中採用了以下符號：

	號碼對應操作說明的開始處的圖解。
3	編號代表圖解中的操作步驟順序，可能與內文中的步驟有所不同。
	概覽圖解中使用位置編號，方便您對應到產品概覽段落中的圖例編號。
	這些特色是為了讓您在操作本產品時可以注意某些重點。

## 1.3 產品專屬符號

### 1.3.1 其他符號

除本文件外，產品上也會標示下列符號：

$n_0$	無負載下的衝程率
	直流電 (DC)
Li-Ion	鋰電池
	本產品支援近距離無線通訊 (NFC) 技術，其相容於iOS及Android平台。
	請勿將電池使用作為敲擊工具。
	避免電池掉落。不得使用遭受衝擊或其他原因造成損壞的電池。

## 2 安全性

### 2.1 一般電動機具安全警告

**⚠ 警告** 請詳閱本電動機具提供的所有安全警告、指示、圖解和說明。未能遵守以下所有指示可能會造成電擊事故、火災和/或嚴重的傷害。

妥善保存所有警示及說明，以供將來參考。

注意事項中的「機具」係指使用電源（有線）或電池（無線）的電動機具。

#### 工作區域安全

- ▶ 請保持工作區的清潔與採光充足。雜亂而昏暗的工作區會導致意外發生。
- ▶ 勿在容易發生爆炸的環境中使用機具，例如有可燃性液體、瓦斯或粉塵存在的環境。機具產生的火花可能會引燃塵埃或煙霧。
- ▶ 操作機具時，請與兒童及旁人保持距離。注意力不集中時容易發生失控的情形。

#### 電力安全

- ▶ 機具插頭與插座須能互相搭配。勿以任何方式改裝插頭。勿將任何變壓器插頭和與地面接觸（接地）的電動機具搭配使用。未經改裝的插頭以及能互相搭配的插座可減少發生電擊的危險。
- ▶ 避免讓身體接觸到如管線、散熱器、爐灶與冰箱等與土地或地表接觸之物品。如果您的身體接觸到地表或地面，將增加電擊的危險。
- ▶ 請勿將機具曝露在下雨或潮濕的環境中。若水氣進入機具中將增加觸電的危險。



- ▶ 勿濫用電纜線。勿以電纜線吊掛、拖拉機具或拔下機具插頭。電纜線應避開熱氣、油、銳利的邊緣或移動性零件。電纜線損壞或纏繞會增加發生電擊事故的危險。
- ▶ 於室外操作機具時，須使用適用於戶外的延長線。使用適合戶外使用的延長線可降低觸電的風險。
- ▶ 如果無法避免在潮濕的地點操作機具，請使用漏電斷路器（RCD）保護電源供應器。使用漏電斷路器（RCD）可降低電擊的風險。

#### 人員安全

- ▶ 操作機具時，請提高警覺，注意進行中的工作並善用常識。感到疲勞或受到藥物、酒精或治療的影響時勿使用機具。操作機具時稍不留神就可能造成嚴重的人員傷亡。
- ▶ 穿戴個人防護裝備。請隨時穿戴眼罩。適當使用防塵面罩、防滑鞋、安全帽及耳罩等安全防護配備可減少人員的傷害。
- ▶ 避免不經意的啟動。在接上電源或電池組、抬起或攜帶機具之前，務必確認開關處於關閉的位置。攜帶機具時，如果把手指放在開關上，或在開關開啟時，將機具插上插頭容易發生意外。
- ▶ 啟動機具前，應將所有調整鑰匙或扳手移開。將扳手或鑰匙留在機具的旋轉零件中可能會造成人員傷害。
- ▶ 勿將手伸出過遠。隨時站穩並維持平衡。這可讓您在意外情況發生時，對機具有較好的控制。
- ▶ 穿著適當服裝。請勿穿著寬鬆的衣服或佩戴珠寶。頭髮、衣服與手套應遠離移動性零件。移動性零件可能會夾到寬鬆的衣服、珠寶或長髮。
- ▶ 如果機具可連接吸塵裝置與集塵設備，請連接並適當使用這些設備。使用集塵裝置可降低與粉塵有關的危險。
- ▶ 請勿因頻繁而習慣使用機具便疏於遵守或忽略機具的安全規範。草率使用可能在轉眼間便造成嚴重的傷害。

#### 機具使用與保養

- ▶ 不可強制使用機具。依據用途使用正確的機具。根據設計的速率使用機具可更快速安全地完成工作。
- ▶ 若開關無法啟動或關閉電動工具時，請勿使用電動工具。任何無法以開關控制的機具都很危險且需要維修。
- ▶ 在進行任何調整、更換配件、或貯放電動機具前，請先將插頭拔離插座和 / 或將電池組自電動機具卸下（如可拆卸）。此預防安全措施可降低機具意外啟動的風險。
- ▶ 將閒置的機具貯放在兒童拿不到的地方，勿讓不熟悉或未詳閱本說明的人員操作本機具。機具在未經訓練的使用者手中是很危險的。
- ▶ 維護機具與配件。請檢查移動性零件有無偏移或黏合的情形、零件有無破損，以及任何會影響機具運轉的狀況。如果機具受損，請先維修後再使用。很多意外便是由維護不當的機具造成的。
- ▶ 保持切割機具的銳利與清潔。具銳利切割邊緣的切割機具如果得到適當的維護，便較不會發生黏合的現象，且較容易控制。
- ▶ 遵守本指示說明使用機具、配件和工具組等，並考量工作條件與待進行的工作。將機具用在原目的之外之用途可能會造成危險。
- ▶ 保持握把與其表面的乾燥、清潔且不要讓上面出現油漬。握把及其表面濕滑會在意外情況中造成機具無法安全掌控。

#### 電池機具的使用與保養

- ▶ 務必使用原廠指定的充電器進行充電。將適合特定類型電池的充電器使用在其他電池時，會有造成火災的危險。
- ▶ 務必使用機具特別指定的電池匣。使用其他的電池匣可能會造成受傷或火災。
- ▶ 電池匣未使用時，請將其遠離如迴紋針、錢幣、鑰匙、針、固定釘或其他會在電池兩極間形成連結的小型金屬物件。在電池兩極間建立短路可能會造成灼傷或火災。
- ▶ 若使用不當，可能有液體由電池流出；請避免接觸該液體。若不慎接觸，請以清水沖洗。如果不小心讓液體接觸到眼睛，請立即尋求醫療援助。從電池中滲出的液體，可能會導致過敏或灼傷。
- ▶ 請勿使用損壞或改裝過的電池組或機具。受損或改裝過的電池可能會無法正常運作而造成起火、爆炸或受傷的風險。
- ▶ 請勿將電池組或機具暴露在火源或極端的溫度環境中。暴露在火源或溫度超過130° C (265 °F) 的環境下可能會造成爆炸。
- ▶ 請遵守充電操作說明且不要在說明所載的溫度範圍之外為電池組或機具充電。不當充電或在指定溫度範圍外充電均可能造成電池損壞並提高起火的風險。

#### 維修服務

- ▶ 請將機具交給合格的維修人員進行維修，並使用相同的替代零件。這可確保維護機具安全。
- ▶ 請勿自行維修損壞的電池。損壞的電池僅可由製造商或授權的維修商進行維修。

## 2.2 採用軍刀鋸片之電鋸的安全說明

- ▶ 在執行配件工具可能會接觸到隱藏線路之工作時，務必以握住絕緣握把的方式手持機具。若與帶電線路接觸，機具的金屬零件也會通電，而造成觸電的情況。



- ▶ 請使用夾子或其他適合之方式將工件確實固定在穩定之表面上。只用手或身體抵住的方式固定工件將造成不穩定，進而失去控制。

### 2.3 其他安全指示

- ▶ 僅在本產品和配件能正常運轉時使用。
- ▶ 勿嘗試以任何方式改裝產品或配件。
- ▶ 開始工作前，請先檢查工作區域是否有隱藏的電纜線、瓦斯管或水管。電線、天然氣管線或水管若損壞，本產品外側上的金屬零件可能導致觸電或爆炸。
- ▶ 通風口請務必隨時保持暢通。因通風口被蓋住而有火災之虞！
- ▶ 使用本產品時請配戴護目鏡、耳罩和防護手套。
- ▶ 穿戴護目鏡。飛散的碎片可能會傷害身體與眼睛。
- ▶ 打磨、切割和鑽孔時產生的粉塵可能含有危險的化學物質。例如：鉛或以鉛為基底的顏料；磚塊、混凝土和其他建材產品、天然石材和其他含矽酸鹽的產品；橡木、山毛櫸等特定木材以及化學處理的木材；石棉或含有石棉的物質。根據操作員工作時接觸的物質危險等級來決定操作員和其他人員暴露在該環境的程度。採取必要的措施，以將暴露相關條件維持在安全等級上，例如：使用吸塵系統或配戴合適的防護面罩。降低在該環境下的暴露程度的一般措施包括：
  - ▶ 工作區域保持良好通風
  - ▶ 避免長時間接觸粉塵
  - ▶ 清除臉部和身體上的粉塵
  - ▶ 穿著防護衣，用水和肥皂清洗裸露在外的身體部位
- ▶ 掉落的工具和配件有導致受傷的危險。開始作業前，請確認電池和安裝的附件已確實固定。
- ▶ 請先將本產品移至加工位置上，才將它啟動。
- ▶ 務必使用提供的握把來握住本產品。請保持機具握把清潔和乾燥。
- ▶ 請經常休息，並活動您的手指以促進血液循環。長時間暴露在劇烈震動下會造成手指、手掌和手腕的血管或神經系統失調。
- ▶ 請勿直視機具的光源（LED），亦不得直接往他人臉上照射。可能會導致暈眩或眼睛受損的風險！
- ▶ 請等候本產品完全靜止再將其放下。
- ▶ 請在更換配件工具時戴上防護手套。觸摸配件工具有被割傷或灼傷的可能！

#### 線鋸的特殊安全須知

- ▶ 工作時，請讓身體與本產品隨時保持距離。
- ▶ 嚴禁將手放置於鋸片前或鋸片上。
- ▶ 請勿切割不明的基材，並確保工件上方與下方的切割線沒有障礙物。
- ▶ 進行切割時，請勿將手伸到工件中或握住其下方。

### 2.4 小心處理和使用電池

- ▶ 請遵守下列安全操作和使用鋰電池的安全注意事項。若未遵守，可能造成皮膚不適、嚴重腐蝕、化學燙傷、起火和/或爆炸。
- ▶ 請使用狀態完好無損的電池。
- ▶ 請小心處理電池，以避免其受損以及防止會嚴重危及健康的液體流出！
- ▶ 電池嚴禁修改或改裝！
- ▶ 請勿拆解、擠壓或焚燒電池，且不可將電池置放在溫度超過80°C（176°F）的環境中。
- ▶ 電池受過衝擊或其他損壞後，請勿使用或充電。請定期檢查電池是否有損壞的跡象。
- ▶ 請勿使用回收或維修過的電池。
- ▶ 請勿將電池或電池供電之機具作為鎚子使用。
- ▶ 請勿讓電池暴露在直接日曬、溫度過高、有火花或明火的環境中，否則可能導致爆炸。
- ▶ 請勿用手指、工具、珠寶或其他會導電的物品觸摸電池極柱，否則可能導致電池損壞、財物損失和人員受傷。
- ▶ 電池應避免淋雨、潮濕和水氣。水氣滲入會造成短路、觸電、燙傷、起火和爆炸。
- ▶ 請使用適用於該電池型號的充電器與電動工具。請詳閱並遵守相關操作說明書中的說明。
- ▶ 請勿在易爆炸環境中使用或存放電池。
- ▶ 若電池溫度過高無法觸摸，表示電池可能已經毀損。將電池放在清楚可見且沒有火災危險、遠離易燃材料的位置。讓電池冷卻。若一小時後電池溫度仍然過高無法觸摸，表示電池可能已經毀損。請洽詢Hilti維修中心或詳讀「Hilti鋰電池安全注意事項和使用」文件。

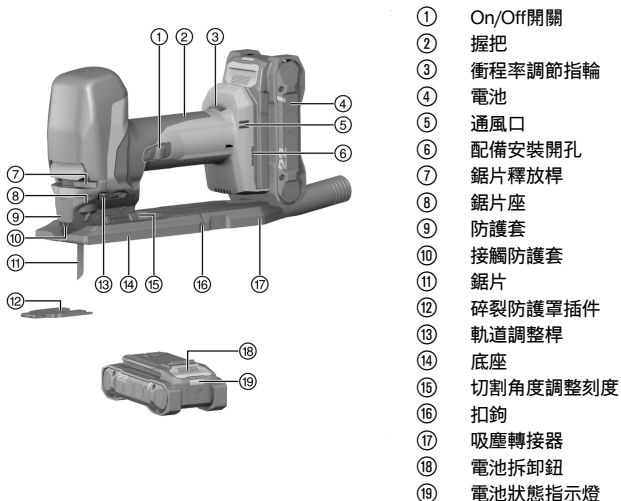


請遵守適用於運輸、存放和使用鋰離子電池的專用指令。 236

請透過本操作說明書末尾的條碼取得並詳讀Hilti鋰電池安全注意事項和使用。



**3.1 產品總覽**



- ① On/Off開關
- ② 握把
- ③ 衝程率調節指輪
- ④ 電池
- ⑤ 通風口
- ⑥ 配備安裝開孔
- ⑦ 鋸片釋放桿
- ⑧ 鋸片座
- ⑨ 防護套
- ⑩ 接觸防護套
- ⑪ 鋸片
- ⑫ 碎裂防護罩插件
- ⑬ 軌道調整桿
- ⑭ 底座
- ⑮ 切割角度調整刻度
- ⑯ 扣鉤
- ⑰ 吸塵轉接器
- ⑱ 電池拆卸鈕
- ⑲ 電池狀態指示燈

**3.2 用途**

本文所述產品為手持充電軌道式線鋸。本機具專為切割塑膠、木材與金屬材料，以及鎖牆板與石膏纖維板。該產品配有一個選配吸塵器的可拆卸式連接件，該連接件設計用於一般吸塵軟管。要將真空吸塵軟連接至本產品，可能需要使用合適的轉接器。

- 本產品限使用B 22Hilti Nuron系列鋰電池。為達最理想的效能，Hilti建議本產品使用本操作說明書末尾表格中所列的電池。
- 僅可使用本操作說明末尾表格中所列的Hilti系列的電池充電器為電池充電。
- 本產品限搭配具有T型握把之鋸片使用。

**3.3 可能發生的誤用**

- 請勿使用本產品切割樹枝或樹幹。
- 請勿使用本產品切割具危險性之材料。
- 請勿在濕氣重或潮濕的環境中使用本產品。

**3.4 鋰電池的顯示幕**

Hilti Nuron鋰電池會顯示電池的電力、錯誤訊息和狀態。

**3.4.1 電力和錯誤訊息的顯示**



**警告**

**有受傷的危險！因電池掉落**

- ▶ 電池已插入時，請在按下拆卸鈕後確保電池重新正確地卡入所使用的產品中。

如欲獲得下列其中一個顯示畫面，請短按電池拆卸鈕。

只要已連接的產品已啟動，也會持續顯示充電狀態和可能的功能故障。

狀態	意義
四個 (4) LED持續亮綠燈	充電狀態：100 %至71 %
三個 (3) LED持續亮綠燈。	充電狀態：70 %至51 %
兩個 (2) LED持續亮綠燈。	充電狀態：50 %至26 %
一個 (1) LED持續亮綠燈。	充電狀態：25 %至10 %



狀態	意義
一個 (1) LED緩慢閃綠燈。	充電狀態：< 10 %
一個 (1) LED快速閃綠燈。	鋰電池已完全沒電。裝入電池。 電池充電後若LED仍快速閃爍，請洽詢Hilti維修中心。
一個 (1) LED快速閃黃燈。	鋰電池或與之連接的產品過載、溫度太高、溫度太低或有其他故障情形。 請讓產品和電池維持在建議的操作溫度，並在使用時不要使產品過載。 若訊息持續存在，請洽詢Hilti維修中心。
一個 (1) LED亮黃燈	鋰電池和與其連接的產品不相容。請聯絡Hilti維修中心。
一個 (1) LED快速閃紅燈	鋰電池已鎖定，無法繼續使用。請聯絡Hilti維修中心。

### 3.4.2 顯示電池狀態

如欲檢查電池狀態，請按住拆卸鈕3秒鐘以上。系統無法偵測到電池因掉落、刺穿、外部熱損傷等錯誤使用造成的潛在功能故障。

狀態	意義
所有LED以跑馬燈形式亮起，然後一個LED持續亮起綠色。	電池仍可繼續使用。
所有LED以跑馬燈形式亮起，然後一個LED快速閃爍黃色。	無法完成有關電池狀態的查詢。請重複上述程序或洽詢Hilti維修中心。
所有LED以跑馬燈形式亮起，然後一個LED持續亮起綠紅色。	若連接之產品仍可繼續使用，剩餘的電池容量會低於50%。 若連接之產品無法使用，表示電池已達最終使用壽命，應進行更換。請聯絡Hilti維修中心。

## 3.5 除塵器

除塵器會以氣流吹向鋸片讓切割線上無粉塵。

## 3.6 衝程速率

轉動指輪可調整衝程率。位置1代表每分鐘800個衝程，而位置6則代表每分鐘3000個衝程。

## 3.7 4軌道設定

4軌道設定可依切割的材料調整切割效能與品質。軌道調整桿可將機具調整為4種設定其中一種。軌道設定越低，切割邊緣的細膩與俐落程度也越好。可透過實際測試找出最佳的設定。

狀態	意義
位置0	無軌道
位置1	低軌道
位置2	中軌道
位置3	高軌道

## 3.8 碎裂防護罩插件

本產品可配備一碎裂防護罩插件。  
碎裂防護罩插件可在切割時避免木材表面的碎裂情形。

## 3.9 本產品自動關閉

若連續按住On/Off開關超過15分鐘（例如運輸或貯放時不慎誤觸），本產品將會自動關閉。這樣可避免電池過度防電。



### 3.10 配備及數量

軌道式線鋸含鋸片、防護套、除塵轉接器、碎片防護罩插件、操作說明、內六角扳手。

關於本產品，您可於當地 [www.hilti.group](http://www.hilti.group) 或網站查詢其他經過認證可搭配使用的系統產品：Hilti Store

## 4 技術資料

### 4.1 軌道式線鋸

	SJT 6-22
產品世代	02
額定電壓	21.6 V
重量依據EPTA Procedure 01不含電池	2.1 kg
衝程長度	28 mm
無負載下的衝程率 ( $n_0$ )	800 rpm ... 3,000 rpm
木材的最大切割效能	150 mm
鋁質的最大切割效能	25 mm
非合金鋼材的最大切割效能	10 mm
切割角度 (左 / 右)	0° ... 45°
吸塵轉接器外徑	27.5 mm
貯放溫度	-20 °C ... 70 °C
操作時的環境溫度	-17 °C ... 60 °C

### 4.2 噪音資訊及震動值

操作說明中所提供之音壓和震動值已參照標準測量，並可用來比較不同機具之噪音。它們也可作為噪音量的初步評估。

提供之資料表示機具主要應用時之數值。若機具應用於不同之用途，搭配不同的配件工具或在保養不良的情況下，其數據會有所不同。在作業過程中，這會大幅提高其噪音量。

當電子機具關閉，或開啟但未進行任何作業時也應列入考量，才能準確評估噪音量。在作業過程中，這會大幅降低其噪音量。

確認其他安全措施，以保護操作員不受噪音和 / 或震動影響，例如：保養機具與其配件工具、操作前保持雙手溫暖、作業型式之安排等。

關於在本處所使用EN 62841標準版本的詳細資訊，請查閱符合聲明之副本 254。

### 震動值

	SJT 6-22
聲功率級數 ( $L_{WA}$ )	99 dB(A)
無法判定的聲功率級數 ( $K_{WA}$ )	5 dB(A)
音壓級數 ( $L_{pA}$ )	91 dB(A)
無法判定的音壓級數 ( $K_{pA}$ )	5 dB(A)

### 總振動值

		SJT 6-22
切割板材的震動噪音值 ( $a_n, a$ )	B 22-55	5.2 m/s <sup>2</sup>
	B 22-255	5.3 m/s <sup>2</sup>
切割金屬薄片的震動噪音值 ( $a_n, m$ )	B 22-55	8.5 m/s <sup>2</sup>
	B 22-255	7.2 m/s <sup>2</sup>
無法判定 (K)		1.5 m/s <sup>2</sup>



### 4.3 電池

電池操作電壓	21.6 V
電池重量	請參閱本操作說明結尾處
操作時的環境溫度	-17 °C ... 60 °C
貯放溫度	-20 °C ... 40 °C
電池充電啟動溫度	-10 °C ... 45 °C

## 5 工作場所的準備工作

### 警告

有受傷的風險！因意外啟動

- ▶ 置入電池前，請確認產品已關閉。
- ▶ 在調整機具或變更配件前請先將電池拆下。

請遵守本文件中與產品上的安全說明和警告。

### 5.1 為電池充電

1. 電池充電前，請閱讀充電器的操作手冊。
2. 確認電池的接點和充電器的接點清潔且乾燥。
3. 請使用經認可的充電器對電池充電。 230

### 5.2 置入電池

#### 警告

有受傷的危險 因短路或電池掉落！

- ▶ 置入電池前，請確認電池的接點及產品的接點上無任何異物。
- ▶ 確認電池已確實咬合。

1. 初次使用前，請將電池完全充電。
2. 將電池推入產品中，直到聽到卡入聲。
3. 請檢查電池是否安裝牢固。

### 5.3 卸下電池

1. 按下電池拆卸鈕。
2. 將電池從產品卸下。

### 5.4 安裝鋸片

1. 將鋸片（鋸齒朝切割方向）向鋸片座內推直到卡住。
2. 握住並拉動鋸片以確認其是否有確實固定。

### 5.5 安裝防護套

- ▶ 將防護套從前端朝產品上推直到其卡至定位為止。



防護套僅可在底座位於正常位置（切割角度 - 0°）時才能安裝。 234

### 5.6 安裝除塵轉接器

1. 將吸塵轉接器從後方水平推到底座上直到兩側的扣鉤卡住為止。
2. 將真空吸塵器軟管連接至除塵轉接器。




## 5.7 安裝碎裂防護罩

- ▶ 從下方將碎裂防護罩插件壓到底座中。



碎裂防護罩插件僅可搭配特定鋸片使用。

碎裂防護罩僅可在底座位於正常位置（切割角度 - 0°）時才能使用。  234

## 5.8 防墜安全裝置



### 警告

有受傷的危險 因工具和/或配件掉落所致！

- ▶ 請您務必使用本公司建議與本產品搭配使用的Hilti工具繫繩吊環。
- ▶ 每次使用前，應要檢查工具繫繩吊環的固定點有無損壞跡象。
- ▶ 請勿將工具繫繩吊環固定於皮帶掛鉤上。請勿透過皮帶掛鉤來提起本產品。



請您遵守各國的高處作業規範。

請僅使用Hilti防掉落擊發裝置和Hilti工具繫繩吊環#2261970的組合，作為本產品的防墜保護。

- ▶ 將防掉落擊發裝置固定在配件的安裝開口內。檢查其是否確實牢固。
- ▶ 將工具繫繩吊環的一個彈簧鈎扣固定在防掉落擊發裝置上，再將另一個彈簧鈎扣固定在具支承功能的結構上。檢查兩個彈簧鈎扣是否確實牢固。



請遵守Hilti防掉落擊發裝置和Hilti工具繫繩吊環的操作說明書。


## 6 操作

請遵守本文件中與產品上的安全說明和警告。


### 6.1 使用吸塵裝置



吸塵系統可減少粉塵量、讓切割線更清楚並降低被工件粉塵及木屑噴到的風險以增加安全性。

1. 安裝防護套。  233
2. 長時間處理會產生高密度粉塵的木材或材料時，請務必使用吸塵裝置。

### 6.2 設定切割角度

1. 拆卸吸塵轉接器。  235
2. 轉鬆底座上的螺絲。
3. 將基板調整成希望的切割角度（兩邊各0°到45°）。
  - ▶ 切割角度設定為0°時，底座會咬合在定位以避免旋轉。要設定不同的切割角度必須先將底座向後拉。
  - ▶ 將底座切割角度重新設定為0°時，請您先將底座再次向前推，以將其卡入鎖定位置。
4. 再確實旋緊螺絲。
  - ▶ 底座便會穩定卡住。

### 6.3 開啟開關



安全功能可確保本產品在已先打開然後放入電池的狀況下不會啟動。  
將On/Off開關往回推然後重新往前推。

- ▶ 將On/Off開關往前推。

### 6.4 進刀切割

1. 將軌道調整桿設為位置0。





2. 將底座前緣與工件接觸。
3. 緊握產品並按下On/Off開關。
4. 將產品緊抵住工件並以慢慢降低攻角的方式開始進刀切割。
5. 一旦鋸片穿透工件後，請讓本產品回到其正常作業位置。
  - ▶ 接著底座便會平放在工作面上。
6. 繼續沿切割線進行切割。

## 6.5 關閉開關

- ▶ 將On/Off開關往回推。

## 7 除塵

### 7.1 拆卸吸塵轉接器

1. 將兩個固定扣鉤向內壓。
2. 將吸塵轉接器往後拉從底座上卸下。
3. 將真空吸塵器軟管從吸塵轉接器上拉下。

### 7.2 卸下防護套

- ▶ 將防護套稍微傾斜並向前拉將其卸下。

### 7.3 退出鋸片

#### 警告

有受傷的危險！鋸片意外退出會造成受傷。

- ▶ 退出鋸片時，請握住產品使其不會造成他人或動物受傷。
- ▶ 將鋸片釋放桿盡可能向旁邊推。
  - ▶ 鋸片便會鬆開並退出。

## 8 維護及保養

#### 警告

電池裝入時有受傷的危險！

- ▶ 進行維護及保養前，請務必卸下電池！

### 產品保養

- 小心地清除頑強的髒污。
- 若有，請使用乾燥的軟刷子小心地清潔通風口。
- 僅可使用微濕的軟布清潔機殼。請勿使用含矽膠的清潔或亮光劑，因為可能會造成塑膠零件損壞。
- 請使用乾淨的乾布清潔產品的接點。

### 鋰電池的保養

- 通風口堵塞時請勿使用電池。請使用乾燥的軟刷子小心地清潔通風口。
- 請避免電池暴露在粉塵或髒污的環境之中。請勿讓電池接觸過高的濕氣（例如：浸入水中或淋雨）。電池若濕透，請將該電池視為已受損。請將電池隔絕在不可燃的容器內，並洽詢Hilti維修中心。
- 避免電池沾上油脂。避免讓電池上積聚粉塵或髒污。請使用乾燥的軟刷或乾淨的乾布清潔電池。請勿使用含矽膠的清潔或亮光劑，因為可能會造成塑膠零件損壞。請勿觸摸電池的觸點或從觸點上去除出廠塗敷的油脂
- 僅可使用微濕的軟布清潔機殼。請勿使用含矽膠的清潔或亮光劑，因為可能會造成塑膠零件損壞。

### 維護

- 定期檢查外部零件和控制元件有無損壞跡象，並確認它們運作正常。
- 如果有損壞跡象及/或任何零件功能故障，請不要運行本產品。請將產品交付Hilti維修中心進行維修。
- 維護及修復作業後，裝上所有保護裝置並檢查功能是否正常。



為確保運作的安全及可靠性，請務必使用原廠Hilti備件與耗材。您可以在Hilti Store或在以下網站選購Hilti認可的備用零件、耗材和配件：[www.hilti.group](http://www.hilti.group)



## 8.1 清潔吸塵轉接器

1. 拆卸吸塵轉接器。 235
2. 清潔吸塵轉接器。
3. 確認所有扣鉤均未受損。
4. 安裝除塵轉接器。 233

## 8.2 清潔鋸片

1. 定期將鋸片的樹脂殘留清除。
2. 將鋸片泡在煤油（燈油）或市售樹脂清潔劑中24小時。

## 9 充電式機具和電池的運輸與存放

### 搬運

#### 注意

搬運時意外啟動！

- ▶ 搬運產品時務必卸下電池！
- ▶ 取出電池。
- ▶ 切勿散裝運輸電池。運送過程中，應保護電池避免衝擊與震動並與導物質或其他電池隔離，以免因與電池端子接觸而造成短路。請遵守您所在地當地的電池運輸規範。
- ▶ 請勿以郵寄方式遞送電池。若要運送未損壞之電池，請洽詢運送服務商。
- ▶ 每次使用前以及長途運輸前後請檢查本產品和電池是否受損。

### 設備的貯放

#### 警告

瑕疵或漏液的電池所造成的意外損害！

- ▶ 存放產品時，一律不可插入電池！
- ▶ 請將本產品和電池存放在陰涼及乾燥處。請遵守技術性數據中所規定的溫度極限值。
- ▶ 請勿將電池貯放在充電器中。完成充電程序後，請將電池從充電器取出。
- ▶ 請勿將電池存放在有日光直射處、熱源上或玻璃後方。
- ▶ 請將本產品和電池存放在兒童或未授權人員無法觸及的地點。
- ▶ 每次使用前以及長時間存放前後請檢查本產品和電池是否受損。

## 10 故障排除

發生任何故障時，請您留意電池充電狀態及故障指示燈。請參閱鋸電池指示器章節。  
若您遇到未列出的問題或是無法自行排除的問題，請聯絡Hilti維修中心。

故障	可能原因	解決方法
鋸片掉出。	鋸片未正確咬合。	<ul style="list-style-type: none"> <li>▶ 重複進刀程序。</li> <li>▶ 確認鋸片座完全開啟且鋸片有完全推到彈簧底部。</li> </ul>
	夾緊系統被外物卡住。	<ul style="list-style-type: none"> <li>▶ 清潔鋸片座。</li> </ul>
無法插入鋸片。	夾緊系統被外物卡住。	<ul style="list-style-type: none"> <li>▶ 清潔鋸片座。</li> </ul>
無法調整軌道。	軌道調整桿溝槽中有異物。	<ul style="list-style-type: none"> <li>▶ 清潔軌道調整桿溝槽。</li> </ul>
軌道無法運作。	軌道機制被異物卡住。	<ul style="list-style-type: none"> <li>▶ 確認軌道區中是否有異物並將其清除。</li> </ul>
	軌道調整桿位於位置「0」。	<ul style="list-style-type: none"> <li>▶ 將其調到希望的設定。</li> </ul>
電池較一般電池壽命短。	周遭環境溫度極低。	<ul style="list-style-type: none"> <li>▶ 將電池放在室溫下緩慢升溫。</li> </ul>
電池咬合時不會發出喀啦聲。	電池上的卡榫太髒。	<ul style="list-style-type: none"> <li>▶ 清潔卡榫並重新安裝電池。</li> </ul>
機具或電池變得很燙。	電力故障	<ul style="list-style-type: none"> <li>▶ 立即關閉本產品，取出電池，觀察電池，讓它冷卻，並聯絡Hilti維修中心。</li> </ul>
電池的LED未亮起	電池故障	<ul style="list-style-type: none"> <li>▶ 聯絡Hilti維修中心。</li> </ul>



## 11 廢棄設備處置

### 警告

不當的廢棄物處理可能導致人員受傷！洩漏出來的氣體或液體有害健康。

- ▶ 請勿以郵寄方式寄送電池。
- ▶ 將電池端子蓋上不導電物質（例如絕緣膠帶）以避免短路。
- ▶ 請將電池棄置於兒童無法觸及的地方。
- ▶ 請將該電池送交Hilti Store處理或洽詢權責的廢棄處理公司。

Hilti產品所採用的材料大部分均可回收再利用。材料在回收前必須正確地分類。Hilti在許多國家都有提供老舊機具回收服務。請洽詢Hilti客服中心或您在地經銷商。



- ▶ 不可將電動工具、電動裝置和電池當成一般垃圾丟棄！

## 12 製造商保固

- ▶ 如果您對於保固條件有任何問題，請聯絡當地Hilti代理商。

Hilti Taiwan Co., Ltd.

24F., No. 16, Xinzhan Rd., Banqiao Dist., New Taipei City 220, Taiwan (R.O.C.)

Tel. 0800-221-036

## 13 其他資訊

有關於操作、技術、環境和回收

的更多資訊，請參訪以下連結：

[qr.hilti.com/manual/?id=2264217&id=2264218](http://qr.hilti.com/manual/?id=2264217&id=2264218)

您也可在文件最後找到本連結的QR碼。



## 原版操作說明

### 1 关于本操作说明的信息

#### 1.1 关于本操作说明

- **警告！**在使用本产品之前，请确保您已阅读并理解产品随附的操作说明，包括说明、安全和警告通知、插图和规格。尤其要熟悉所有说明、安全和警告通知、插图、规格、组件和功能。否则可能会导致触电、火灾和/或严重伤害的风险。保存操作说明，包括所有说明、安全和警告通知，以供以后使用。
- 产品经设计适用于专业用户，只有经过专门训练的授权人员才允许操作、维修和维护本产品。必须将任何可能的危险专门告知该人员。不按照说明使用或由未经培训的人员不正确地使用本产品及其辅助设备可能会带来危险。
- 随附的操作说明符合印刷时的最新技术水平。始终在 Hilti 产品页面上在线查找最新版本。为此，请点击这些操作说明中标有 符号的链接或二维码。
- 仅将产品连同本操作说明一起交给他人。

#### 1.2 所用标志的说明

##### 1.2.1 警告

警告是为了提醒您在处理或使用此产品时会发生的危险。使用以下信号词：

### -危险-

危险！

- ▶ 用于让人们能够注意到会导致严重身体伤害或致命的迫近危险。



2264218

-警告-

警告！

▶ 用于提醒人们注意可能导致严重或致命伤害的潜在危险。

-小心-

小心！

▶ 用于提醒人们注意可能造成人身伤害、设备损坏或其他财产损失的潜在危险情况。

### 1.2.2 操作说明中的符号

本操作说明中使用下列符号：

	遵守操作说明
	使用说明和其他有用信息
	处理可回收材料
	不得将电气设备和电池作为生活垃圾处置
	Hilti 锂离子电池
	Hilti 充电器

### 1.2.3 图示中的符号

图示中使用了下列符号：

	这些编号指本操作说明开始处的相应图示。
	图示中的编号反映操作顺序，可能与文本中描述的步骤不同。
	位置编号被用于概览图中并表示产品概览段落中的图例编号。
	这些字符旨在提醒您特别注意操作本产品时的某些要点。

## 1.3 与产品相关的符号

### 1.3.1 附加符号

在本文档或产品上还可以使用以下符号：

	空载时的冲数
	直流电 (DC)
	锂离子电池
	本产品支持近场通信 (NFC) 技术，兼容 iOS 和安卓平台。
	切勿将电池用作敲击工具。
	请勿让电池掉落。切勿使用受到撞击或有任何损坏的电池。

## 2 安全

### 2.1 一般电动工具安全警告

**警告** 请阅读本电动工具随附的所有安全警告、说明、图示和技术规范。不遵守下列所有操作说明可能会导致电击、火灾和/或严重人身伤害。

请保存所有安全警告和操作说明，以供将来参考。



在所有下列的警告中术语“电动工具”指市电驱动(有线)电动工具或电池驱动(无线)电动工具。

#### 工作区域安全

- ▶ 保持工作区域清洁和良好照明。杂乱和黑暗的区域容易导致事故。
- ▶ 不要在爆炸性环境中操作电动工具，例如有易燃液体、气体或灰尘。电动工具会产生可以点燃这些灰尘或烟雾的火花。
- ▶ 在操作电动工具时，要令儿童和旁观者远离工作现场。万一分心，可能会使您失去对电动工具的控制。

#### 电气安全

- ▶ 电动工具(设备)插头必须匹配电源插座。切勿以任何方式改动插头。对于接地的电动工具(设备)，不要使用任何适配器插头。使用未经改动的插头和匹配的电源插座可以大大减少电击危险。
- ▶ 避免人体接触接地表面，如管道、散热片和冰箱。如果您的身体接地，则会增加电击危险。
- ▶ 不要将电动工具暴露在雨水或潮湿环境中。电动工具进水将会增加电击危险。
- ▶ 不要滥用电缆。切勿使用电缆运送、拉动或拔出电动工具。保持电缆远离高温、油、锋利边缘或运动部件。电缆损坏或缠绕会增加电击危险。
- ▶ 当在户外操作电动工具时，应使用经认可适合户外操作的加长电缆。使用适合户外使用的电缆可减少电击危险。
- ▶ 如果在潮湿环境下操作电动工具是不可避免的，应使用剩余电流动作保护器(RCD)。使用RCD可减少电击危险。

#### 人身安全

- ▶ 保持警觉，注意您正在进行的工作，并在操作电动工具的过程中，应利用自己的判断能力。当您疲劳或受到药物、酒精或医疗影响时，请不要使用电动工具。当操作电动工具时，瞬间的分心都可能导致严重的人身伤害。
- ▶ 使用个人防护装备。一定要戴上护目装置。安全装置，诸如适当条件下使用防尘面具、防滑安全鞋、安全帽、听力防护等装置能减少人身伤害。
- ▶ 防止电动工具意外启动。在连接至电源和/或电池组、拿起或搬运电动工具之前，应确保开关处于“关闭”位置。将手指放在开关上搬运电动工具或在开关处于“打开”位置时接通电源，都可能会导致事故发生。
- ▶ 在打开电动工具之前，必须拿掉任何调整键或扳手。让扳手或调整键留在电动工具的旋转部件上可能会导致人身伤害。
- ▶ 不要操之过急。应时刻保持正确的站姿和平衡。这在意外情况下能够更好地控制电动工具。
- ▶ 应确保正确着装。不要穿着松垮的衣服或佩戴首饰。让头发和衣服远离运动部件。松垮的衣服、首饰或长发发卡会在运动部件中。
- ▶ 如果提供有用于连接除尘和集尘设施的装置，应确保将它们连接好并正确使用。使用除尘装置可以减少与灰尘相关的危险。
- ▶ 经常使用工具能令您获得较高的熟练度，但不能因此掉以轻心和忽视工具安全准则。一次不慎操作就会在瞬间导致重伤。

#### 电动工具的使用和维护

- ▶ 不要强制使用电动工具。针对您的应用场合使用正确的电动工具。正确的电动工具在其额定设计值范围内将能够更好和更安全地工作。
- ▶ 如果通过开关不能使其打开和关闭，则请不要使用电动工具。任何不能通过开关进行控制的电动工具都是危险的，必须对其进行修理。
- ▶ 在进行任何调整、更换配件或存放电动工具之前，应从电源上断开插头和/或从电动工具上拆下电池组(若可拆卸)。此预防性安全措施可减少意外启动电动工具的危险。
- ▶ 将不用的电动工具存放在儿童拿不到的地方，并且不要让不熟悉电动工具或其操作说明的人员操作电动工具。未经培训的用户操作电动工具是危险的。
- ▶ 维护电动工具和配件。检查是否存在运动部件失调或卡滞、部件断裂和任何其它影响电动工具操作的情况。如果存在损坏，则在使用之前应修理电动工具。许多事故都是由于电动工具维护不良造成的。
- ▶ 保持切削工具锋利和清洁。带锋利切削刀的切削工具如果维护得当，很少会发生卡滞且更容易控制。
- ▶ 按照使用说明书，考虑作业条件和进行的作业来使用电动工具、附件和工具的刀头等。将电动工具用于指定用途以外的场合会导致危险。
- ▶ 使手柄和抓握面保持干燥、清洁且没有油脂。如果手柄和抓握面打滑，将无法在意外情况下安全操作或控制本工具。

#### 无绳(电池操作)工具/设备的使用和维护

- ▶ 充电时只能使用制造商指定的充电器。适合某种类型电池组的充电器如果被用于为另一类型电池组充电，则可能会带来火灾危险。
- ▶ 只能使用专用电池组为电动工具供电。使用任何其它电池组可能会带来人身伤害和火灾。
- ▶ 当电池组不用时，应使其远离其它金属物体，例如纸夹、硬币、钥匙、钉子、螺钉或其它小的金属物体，以免造成短路。如果电池端子被短路，则会造成人员烧伤或火灾。



- ▶ 如果持续滥用电池，则可能会造成液体从电池中喷射出来；注意避免接触到液体。如果意外接触到液体，应用水冲洗。如果液体接触眼睛，除了用大量清水冲洗外，还应立即就医。从电池中喷射出来的液体会导致疼痛或灼伤。
- ▶ 不要使用损坏或改装过的电池组或工具。损坏或改装过的电池会造成不可预测的情形，导致火灾、爆炸或受伤风险。
- ▶ 不要将电池组或工具暴露在明火或过高的温度中。暴露在明火或超过 130 °C (265 °F) 温度中可能导致爆炸。
- ▶ 遵守所有充电说明，且不要在使用说明规定的温度范围之外对电池组或工具充电。充电不正确或在规定温度范围之外充电会损坏电池并增加火灾风险。

#### 保养

- ▶ 将你的电动工具送交专业维修人员，使用同样的备件进行修理。这样才能确保维持电动工具 (设备) 的安全性。
- ▶ 切勿擅自维修损坏的电池组。仅可由制造商或授权服务提供商执行电池组的维修。

## 2.2 有关使用往复锯条的锯机的安全说明

- ▶ 如果配套工具的工作区域可能接触到隐藏的线束，只能握住电动工具的绝缘把手表面进行操作。如果触点由带电电缆制成，则本电动工具的金属部分也会带电，从而导致触电。
- ▶ 使用夹具或其他适当方法将工件牢牢固定到稳固的支撑面上。仅用手或者靠着身体持住工件，使工件处于不稳定状态，这会导致失控危险。

## 2.3 附加安全说明

- ▶ 只有产品和附件处于良好的技术状态时才能使用。
- ▶ 切勿以任何方式擅自改动或改装本产品或附件。
- ▶ 开始工作前，检查工作区域是否有隐蔽的电缆、燃气管和水管。如果电缆、燃气管或水管有损坏，则产品的外部金属部件可能会导致电击或爆炸。
- ▶ 始终保持通风孔畅通。遮盖通风孔会有火灾风险！
- ▶ 使用该产品时，请佩戴护目镜、护耳装置和防护手套。
- ▶ 请戴上护目装置。飞溅的碎片有导致身体和眼睛受伤的风险。
- ▶ 磨削、抛光、切割和钻孔过程中产生的粉尘可能含有害化学物质。一些例子包括：铅或铅基涂料；砖、混凝土、其他砖石产品、天然石材和其他含硅酸盐的产品；一些木材，例如橡木、山毛榉和化学处理过的木材；石棉或含石棉的材料。根据所处理材料的危险等级，确定操作员和附近人员的暴露程度。采取必要的措施将暴露保持在安全水平内，例如使用集尘系统或佩戴适当的呼吸防护装置。减少暴露的一般措施包括：
  - ▶ 在通风良好的区域进行操作，
  - ▶ 避免长时间接触粉尘，
  - ▶ 清除脸部和身上的粉尘，
  - ▶ 穿着防护服并用肥皂和水清洗暴露的部位。
- ▶ 工具和/或附件掉落会带来人身伤害的危险。开始工作前请检查电池和安装的附件是否已牢牢固定。
- ▶ 先将产品置于工作位置，然后才开机。
- ▶ 必须通过提供的手柄牢牢抓住本产品。保持把手清洁干燥。
- ▶ 适当休息并活动手指，以改善手指的血液循环。工作期间长时间暴露于强烈振动环境中可能导致手指、手掌和手腕部位血管和神经系统紊乱。
- ▶ 不得直视电动工具中集成的光源 (LED)，且不得用光束直射其他人的脸部。这会导致眩晕或使眼睛受到伤害！
- ▶ 等待产品完全停止后再将其放下。
- ▶ 更换配套工具时，戴上防护手套。触碰配套工具会导致割伤和烫伤！

#### 机动锯的特殊安全说明

- ▶ 使用本产品时请务必让其远离您的身体。
- ▶ 切勿将手放在锯条前面或上面。
- ▶ 切勿锯割未知材料，并保持工件上部和下部的锯割线处无障碍物。
- ▶ 切勿在切割期间触碰或握住工件下部。

## 2.4 小心处理和使用电池

- ▶ 请遵守以下关于安全操作和使用锂离子电动工具电池的安全提示。若未能遵守，会导致皮肤刺激、严重的腐蚀伤、化学烫伤、火灾和/或爆炸。
- ▶ 只有电池处于良好的技术状态时才能使用。



- ▶ 请小心地处理电池，以防损坏电池和避免对健康极有害的液体泄漏！
- ▶ 严禁改装或篡改电池！
- ▶ 不要分解、挤压或焚烧电池，不要将其暴露在高于 80 °C (176 °F) 的温度条件下。
- ▶ 对于遭受过撞击或有其他损坏的电池，切勿使用或对其进行充电。定期检查电池是否有损坏的迹象。
- ▶ 切勿使用回收的或修理过的电池。
- ▶ 切勿将电池或电池供电的电动工具用作锤子。
- ▶ 切勿将电池暴露在直射的阳光下、高温、火花或明火中。可能会导致爆炸。
- ▶ 切勿用手指、工具、珠宝或其他导电物体接触电极片。否则会损坏电池，造成财产损失和人身伤害。
- ▶ 确保电池远离雨水、潮气和液体。受潮会导致短路、漏电、燃烧、火灾或爆炸。
- ▶ 仅限使用经批准用于特定电池类型的充电器和电动工具。阅读并遵守相关操作说明中的规定。
- ▶ 不得在易爆环境中存放或使用电池。
- ▶ 如果电池发热烫手，则可能有故障。请将电池放在醒目且无火灾风险的地方，并与易燃物品保持足够距离。让电池自行冷却。如果一小时后电池仍然发热烫手，则表示存在故障。请联系 Hilti 维修中心或阅读文档“有关 Hilti 锂离子电池安全性和使用的提示”。

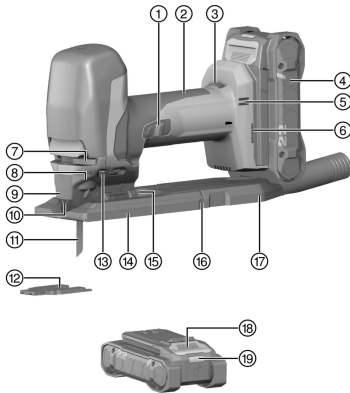


请遵守适用于锂离子电池运输、存储和使用的特殊准则。 247

请通过扫描该操作说明末尾的二维码来阅读有关 Hilti 锂离子电池安全性和使用的提示。

## 3 说明

### 3.1 产品概述



- ① “打开/关闭”开关
- ② 把手
- ③ 冲数调节器姆指旋转
- ④ 电池
- ⑤ 通风口
- ⑥ 附件安装孔
- ⑦ 锯条释放杆
- ⑧ 锯条夹
- ⑨ 锯条防护罩 (上部防护罩)
- ⑩ 接触防护装置
- ⑪ 锯条
- ⑫ 防裂嵌件
- ⑬ 轨道动作调节杆
- ⑭ 底座
- ⑮ 切割角调节刻度
- ⑯ 锁扣
- ⑰ 吸尘适配器
- ⑱ 电池解锁按钮
- ⑲ 电池状态指示器

### 3.2 合规使用

所述产品是一款手持充电式轨道动作机动锯。其主要用于切割塑料、木材和金属材料以及干式墙板和石膏纤维板。

本产品配备了适用于选装吸尘器的可拆卸式连接接头，选装的吸尘器可使用常用的吸尘器软管。必须使用合适的适配器以将吸尘软管连接到产品。

- 本产品只能与 Hilti Nuron B 22 系列锂离子电池搭配使用。为确保最佳功率，Hilti 建议为本产品使用该操作说明末尾表格中给出的电池。
- 此类电池仅限使用该操作说明末尾表格所规定型号系列的 Hilti 充电器充电。
- 本产品仅限使用配有 T 型刀柄的锯条。

### 3.3 误用情况

- 不得使用本产品修剪树枝或切割树干。
- 不得使用本产品切割危险材料。



2264218

中文 241



- 不得在潮湿环境中使用本产品。

### 3.4 锂离子电池指示灯

Hilti Nuron 锂离子电池可以显示电池的充电状态、出错信息和状态。

#### 3.4.1 充电状态和出错信息的显示



**警告**

人身伤害的危险！电池掉落的危险！

- ▶ 在插入电池的情况下按压解锁按钮后，确保将电池重新正确锁定在所用的产品中。

请短暂按压电池的解锁按钮，以获得下列指示灯指示之一。

只要连接的产品已接通，便会持续显示充电状态和可能的故障。

状态	含义
四个 (4) LED 灯持续亮起绿光	充电状态：100 % 至 71 %
三个 (3) LED 灯持续亮起绿光	充电状态：70 % 至 51 %
两个 (2) LED 灯持续亮起绿光	充电状态：50 % 至 26 %
一个 (1) LED 灯持续亮起绿光	充电状态：25 % 至 10 %
一个 (1) LED 灯缓慢闪绿光	充电状态：< 10%
一个 (1) LED 灯快速闪绿光	锂离子电池电量耗尽。为电池充电。 如果在为电池充电后 LED 灯始终快速闪烁，请联系 Hilti 维修中心。
一个 (1) LED 灯快速闪黄光	锂离子电池或与其相连的产品过载、过热、过冷或存在其他故障。 使产品和电池达到建议的工作温度，并且在使用时不要使产品过载。 如果信息仍然存在，请联系 Hilti 维修中心。
一个 (1) LED 灯亮起黄光	锂离子电池和连接的产品不兼容。请联系 Hilti 维修中心。
一个 (1) LED 灯快速闪红光	锂离子电池被锁定且无法继续使用。请联系 Hilti 维修中心。

#### 3.4.2 电池状态的显示

如要检查电池状态，请按住解锁按钮三秒钟以上。系统未检测到由于掉落、刺穿、外部热损坏等错误使用而引起的电池潜在故障。

状态	含义
所有 LED 灯都作为运行灯亮起，接着有一个 (1) LED 灯持续亮绿光。	电池可以继续使用。
所有 LED 灯都作为运行灯亮起，接着有一个 (1) LED 灯快速闪黄光。	未能完成电池状态的查询。请重复该过程或联系 Hilti 维修中心。
所有 LED 灯都作为运行灯亮起，接着有一个 (1) LED 灯持续亮红光。	如果仍然可以继续使用所连接的产品，则电池剩余电量不足 50%。 如果无法再使用所连接的产品，则电池的使用寿命即将结束，应予以更换。请联系 Hilti 维修中心。

### 3.5 除尘风机

除尘风机朝着锯条喷射一股气流，以确保切割线上没有粉尘。

### 3.6 冲数

可通过转动拇指旋轮调节冲数。位置 1 对应于 800 冲程/分钟，位置 6 对应于 3000 冲程/分钟。

### 3.7 四种轨道动作设置

提供四种轨道动作设置，可根据所切割材料的特点调节切割性能和质量。轨道动作调节杆用于将电动工具设为四种设置之一。





轨道动作设置越低，切割边缘的精细度和整洁度越高。最优设置可通过实际测试来确定。

状态	含义
位置 0	无轨道动作
位置 1	低轨道动作
位置 2	中等轨道动作
位置 3	高轨道动作

### 3.8 防裂嵌件

本产品配有防裂嵌件。

切割过程中，防裂嵌件可以防止木材表面开裂。

### 3.9 自动关闭产品

如果连续按下“打开/关闭”开关超过 15 分钟（例如，在运输或存储期间），则产品将自动关闭。这可防止电池深度放电。

### 3.10 供货范围

轨道动作机动锯（带锯条）、护罩、除尘模块、防裂嵌件、操作说明、内六角扳手。

经批准可与本产品搭配使用的其它系统产品，可以通过您当地的 [www.hilti.group](http://www.hilti.group) 购买或访问网站 **Hilti Store** 在线订购

## 4 技术数据

### 4.1 轨道动作机动锯

	<b>SJT 6-22</b>
产品代次	02
额定电压	21.6 V
符合 EPTA Procedure 01 要求的重量 (不包括电池)	2.1 kg
冲程长度	28 mm
空载时的冲数 (n <sub>0</sub> )	800 rpm ... 3,000 rpm
对于木材的最大切割性能	150 mm
对于铝材的最大切割性能	25 mm
对于非合金钢的最大切割性能	10 mm
切割角度 (左/右)	0° ... 45°
吸尘适配器外径	27.5 mm
存放温度	-20 °C ... 70 °C
工作环境温度	-17 °C ... 60 °C

### 4.2 噪声信息和振动值

这些说明中给出的声压和振动值按照标准化测试的要求测得，可用于比较一种电动工具与另一种电动工具。它们还可用于初步评价受振动影响的程度。

提供的数据代表本电动工具的主要应用。但是，如果将电动工具用于不同的应用、使用不同的配套工具或维护不良，则数据可能不同。这可能会显著增加操作者在整个工作期间受振动影响的程度。

对受振动影响程度的准确估计还应考虑当关闭电动工具或当它运行但实际未进行工作时的情况。这可能会显著减小操作者在整个工作期间受振动影响的程度。

此外，应确定附加安全措施，以保护操作者免受噪音和/或振动影响，例如：正确维护电动工具和配套工具、保持双手温暖、制订合理的工作计划等。



关于此处所使用的 **EN 62841** 标准版本的详细信息，请查看符合性声明图示 254。



## 噪声排放值

	SJT 6-22
声功率级 ( $L_{WA}$ )	99 dB(A)
声音功率级的不确定性 ( $K_{WA}$ )	5 dB(A)
声压级 ( $L_{pA}$ )	91 dB(A)
声压级的不确定性 ( $K_{pA}$ )	5 dB(A)

## 总振动值

		SJT 6-22
锯切刨花板的振动排放值 ( $a_{h, b}$ )	B 22-55	5.2 m/s <sup>2</sup>
	B 22-255	5.3 m/s <sup>2</sup>
切割金属板材时的振动排放值 ( $a_{h, m}$ )	B 22-55	8.5 m/s <sup>2</sup>
	B 22-255	7.2 m/s <sup>2</sup>
不确定性 (K)		1.5 m/s <sup>2</sup>

## 4.3 电池

电池工作电压	21.6 V
电池重量	参见本操作说明的末尾
适合工作的环境温度	-17 °C ... 60 °C
存放温度	-20 °C ... 40 °C
电池充电起始温度	-10 °C ... 45 °C

## 5 工作现场的准备工作

### -警告-

人身伤害的危险！意外启动的风险！

- ▶ 插入电池前，确保已关闭产品。
- ▶ 对电动工具执行任何调节或更换配件前，先取出电池。

请遵守本文档中以及产品上的安全说明和警告。

### 5.1 给电池充电

1. 为电池充电之前，请阅读充电器的操作说明。
2. 确保电池和充电器上的触点均清洁、干燥。
3. 使用认可的充电器为电池充电。 241

### 5.2 插入电池

#### -警告-

人身伤害的危险！短路或电池掉落会带来人身伤害的危险！

- ▶ 装入电池之前，确保电池和产品上的触点上均无异物。
- ▶ 确保电池接合正确。

1. 在首次使用电池之前，要给电池完全充电。
2. 将电池推入产品，直至听到卡止声。
3. 检查并确认电池已可靠就位。

### 5.3 拆下电池

1. 按下电池释放按钮。
2. 从产品中取出电池。



#### 5.4 安装锯条 2

1. 将锯条推入 (锯齿面朝切割方向) 锯条夹, 直至其接合到位。
2. 握住并拉动锯条, 以检查其是否牢固固定。

#### 5.5 安装防护罩 3

- ▶ 从前方将防护罩推到产品上, 直至其卡入到位。



仅当底座处于正常位置 (0° 切割角度) 时, 才可安装防护装置。 245

#### 5.6 安装除尘模块 4

1. 从后侧将吸尘模块沿水平方向推上底座, 直到两个锁扣在侧面结合。
2. 将真空吸尘器软管连接至除尘模块。

#### 5.7 安装防裂嵌件 5

- ▶ 从下方将防裂嵌件按入底座。



防裂嵌件仅可用于与之配套的锯条。  
仅当底座处于正常位置 (0° 切割角度) 时, 才可使用防裂嵌件。 245

#### 5.8 防坠落装置



**-警告-**

工具和/或附件掉落 会带来人身伤害的危险!

- ▶ 请只是为您的工具推荐的 **Hilti** 工具绳索。
- ▶ 在使用前请检查工具绳索的固定点有无损坏。
- ▶ 不要将工具绳索固定在带钩上。不用使用带钩起吊产品。



注意高空作业的国家法规。

请仅使用 **Hilti** 保险带和 **Hilti** 工具挂绳 #2261970 作为本产品的防坠落保护装置。

- ▶ 将保险带固定到附件的安装孔中。检查是否已牢牢固定。
- ▶ 将工具挂绳的一个弹簧钩固定到保险带上, 另一个弹簧钩固定到支撑结构上。检查两个弹簧钩是否已牢牢固定。



请遵守 **Hilti** 保险带以及 **Hilti** 工具挂绳的操作说明。

## 6 操作

请遵守本文档以及产品上的安全说明和警告。

### 6.1 使用吸尘器



吸尘器可降低粉尘排放, 通过增加切割线的可见度提高作业安全性, 同时减少暴露在工作场所中的粉尘和木屑。

1. 安装防护罩。 245
2. 如果需要长期加工会产生高浓度粉尘的木材或材料, 请务必使用吸尘器。

### 6.2 设置切割角 6

1. 拆下吸尘适配器。 246
2. 松开底座上的螺钉。



3. 将底座调节到所需的切割角度 (在两个方向从 0° 到 45°)。
  - ▶ 当设置到 0° 切割角度时, 底座接合到位以防止转动。如要设置不同的切割角度, 必须将底座先向后拉。
  - ▶ 将底座调回到 0° 切割角度后, 将其再次向前推, 以便接合到位, 防止转动。
4. 重新拧紧螺钉。
  - ▶ 底座已牢固夹紧。

### 6.3 启动



安全功能可确保在先打开产品然后再插入电池的情况下产品不启动。  
推回“打开/关闭”开关, 然后再将其重新向前推。

- ▶ 向前滑动“打开/关闭”开关。

### 6.4 切入式磨削

1. 将轨道动作调节杆设置至位置 0。
2. 使底座前缘接触到工件。
3. 握紧本产品并按下“打开/关闭”开关。
4. 将产品紧紧压靠在工件上, 通过缓慢减小切入角开始切入式磨削。
5. 锯条穿透工件后, 即将本产品调整到正常作业位置。
  - ▶ 底座随即置于工作表面。
6. 继续沿着切割线切割。

### 6.5 关闭

- ▶ 向后滑动“打开/关闭”开关。

## 7 拆除

### 7.1 拆下吸尘适配器

1. 向内按下两个固定锁扣。
2. 将吸尘适配器向后拉离底座。
3. 将真空吸尘器软管拉离吸尘适配器。

### 7.2 拆卸防护罩

- ▶ 略微倾斜防护罩, 并将其向前拉离。

### 7.3 弹出锯条



**-警告-**

人身伤害的危险。不受控制的锯条弹出会导致受伤。

- ▶ 弹出锯条时, 请以适当方式握住本产品, 以免伤及人或动物。
- ▶ 将锯条释放杆向侧面推到底。
  - ▶ 即可将锯条释放并弹出。

## 8 维护和保养



**-警告-**

插入电池时存在人身伤害危险!

- ▶ 执行维护和保养任务之前, 请务必先取出电池。

### 工具的保养

- 请小心去除顽固的污垢。
- 如果有污垢, 请用干燥的软毛刷小心地清洁通风孔。
- 请仅使用微湿的抹布清洁外壳。不要使用含硅清洁剂, 否则可能腐蚀塑料件。



- 请使用洁净干燥的抹布来清洁产品的接头。

### 锂离子电池的保养

- 切勿使用通风槽堵塞的电池。用干燥的软毛刷小心地清洁通风槽。
- 避免不必要地将电池暴露在粉尘或污垢中。切勿将电池暴露在高湿度的环境中(例如将其浸在水中或放在雨中)。如果电池浸湿,请如处理损坏的电池那样对其进行处理。将其隔离在不可燃的容器中,然后联系 Hilti 维修中心。
- 确保电池远离油和油脂。切勿让不必要的粉尘或脏污积聚在电池上。用干燥的软毛刷或干燥柔软的布清洁电池。不要使用含硅清洁剂,否则可能腐蚀塑料件。请勿触摸电池触点或从触点上去除出厂涂的油脂。
- 请仅使用微湿的抹布清洁外壳。不要使用含硅清洁剂,否则可能腐蚀塑料件。

### 维护

- 定期检查所有可见部件和控制器是否出现损坏迹象,确保其全部正常工作。
- 如果发现产品有损坏和/或有功能故障,请不要使用。立即将本产品交给 Hilti 维修中心修复。
- 清洁和维护之后,安装所有护板或保护装置并检查其功能是否正常。



为确保安全和可靠的操作,仅使用 Hilti 原装备件和耗材。经 Hilti 许可可与产品搭配使用的备件、耗材和附件可到您当地的 Hilti Store 购买或访问: [www.hilti.group](http://www.hilti.group)

## 8.1 清洁吸尘适配器

1. 拆下吸尘适配器。 246
2. 清洁吸尘适配器。
3. 检查并确认锁扣完好无损。
4. 安装除尘模块。 245

## 8.2 清洁锯条

1. 定期清洁用过的锯条中的树脂沉积物。
2. 将锯条浸没在煤油(石蜡油)或市售树脂清洁剂中 24 个小时。

## 9 电池型工具和电池的运输及存储

### 运输



#### 运输途中的意外启动!

- ▶ 运输产品前务必将电池取出!
- ▶ 取下电池。
- ▶ 切勿松散、未加保护地运输电池。在运输过程中,应保护电池免受过度冲击或振动影响,并将其与任何导电材料或其它电池分开(因为它们可能会接触到电池端子并导致短路)。请遵守当地的电池运输规定。
- ▶ 请勿以邮寄方式运送电池。有关如何运送完好电池的说明,请咨询您的发货商。
- ▶ 每次使用前以及长时间运输前后都要检查产品和电池是否损坏。

### 存放



#### 故障或泄漏的电池会导致意外损坏!

- ▶ 仅可在未插入电池的情况下存放产品!
- ▶ 请将产品和电池存放至凉爽干燥的地方。请遵守技术数据中规定的温度极限值。
- ▶ 请勿将电池存放在充电器中。充电过程结束后请始终将电池从充电器中取出。
- ▶ 切勿将电池存放在阳光下、热源上或玻璃后。
- ▶ 请将本产品与电池存放在儿童或非授权人员无法接近的位置。
- ▶ 每次使用前以及长时间存放前后都要检查产品和电池是否损坏。

## 10 故障排除

出现任何故障时,都应注意电池充电状态和故障指示灯。参见锂离子电池指示灯一章。如果您碰到的问题未在此表中列出或您无法自行排除,请联系 Hilti 维修中心。



故障	可能原因	解决方案
锯条掉出。	锯条没有正确接合。	<ul style="list-style-type: none"> <li>▶ 重复插入步骤。</li> <li>▶ 确保锯条夹完全打开且迎着弹簧阻力将锯条推到底。</li> </ul>
	夹持系统被异物堵塞。	<ul style="list-style-type: none"> <li>▶ 清洁锯条夹。</li> </ul>
无法插入锯条。	夹持系统被异物堵塞。	<ul style="list-style-type: none"> <li>▶ 清洁锯条夹。</li> </ul>
无法调节轨道动作。	轨道动作调节杆沟槽中有异物。	<ul style="list-style-type: none"> <li>▶ 清洁轨道动作调节杆凹槽。</li> </ul>
轨道动作不起作用。	轨道动作机构被异物堵塞。	<ul style="list-style-type: none"> <li>▶ 检查轨道动作叉区域内是否有异物，并加以清洁。</li> </ul>
	轨道动作调节杆处于位置“0”。	<ul style="list-style-type: none"> <li>▶ 将其调节到所需设置。</li> </ul>
电池比平常更快耗尽。	环境温度非常低。	<ul style="list-style-type: none"> <li>▶ 让电池缓慢加热到室温。</li> </ul>
电池在嵌入时没有发出“咔哒”声。	电池上的固定凸耳脏污。	<ul style="list-style-type: none"> <li>▶ 清洁固定凸耳，然后重新安装电池。</li> </ul>
电动工具或电池过热。	电气故障	<ul style="list-style-type: none"> <li>▶ 立刻关闭产品，取下电池，进行观察，使其冷却并联系 Hilti 维修中心。</li> </ul>
电池 LED 未亮起	电池损坏	<ul style="list-style-type: none"> <li>▶ 联系 Hilti 维修中心。</li> </ul>

## 11 废弃处置



废弃处理不当会有人身伤害的危险！漏出的气体或液体会带来健康危害。

- ▶ 不得通过邮寄方式发送任何电池。
- ▶ 用非导电材料 (比如绝缘带) 包住端子，以防止短路。
- ▶ 在儿童接触不到的地方处置电池。
- ▶ 请将电池送交 **Hilti Store** 处置，或咨询当地的废弃处理机构以获取处置说明。

制造 Hilti 产品所用的大部分材料都可回收利用。在可以回收之前，必须正确分离材料。Hilti 在很多国家都提供旧工具回收服务。请咨询 Hilti 客户服务部门或您的销售顾问。

- ▶ 不要将电动工具、电子设备和电池扔进家庭垃圾中！

## 12 制造商保修

- ▶ 如对保修条件有任何疑问，请联系您当地的 Hilti 代表。

## 13 更多信息

关于操作、技术、环保和回收的更多信息请查看以下链接：[qr.hilti.com/manual/?id=2264217&id=2264218](http://qr.hilti.com/manual/?id=2264217&id=2264218)  
文档末尾也提供二维码链接。



** NURON**

<b>B 22-55 (01)</b>	0,56 kg	1.23 lb
<b>B 22-85 (01)</b>	0,77 kg	1.70 lb
<b>B 22-110 (01)</b>	0,92 kg	2.03 lb
<b>B 22-170 (01)</b>	1,34 kg	2.95 lb
<b>B 22-255 (01)</b>	1,87 kg	4.12 lb

<b>C 4-22</b>
<b>C 6-22</b>
<b>C 8-22</b>

## en Declaration of conformity

### Declaration of conformity

The manufacturer declares, on his sole responsibility, that the product described here complies with the applicable legislation and standards.

The technical documentation is filed here:

**Hilti** Entwicklungsgesellschaft mbH | Tool Certification | Hiltistrasse 6 | D-86916 Kaufering, Germany

### Product information

Orbital-action jig saw	SJT 6-22
Generation	02
Serial no.	1-9999999999

## et Vastavusdeklaratsioon

### Vastavusdeklaratsioon

Seadme tootja kinnitab ainuvastutajana, et käesolevas kasutusjuhendis kirjeldatud seade vastab kehtivate õigusaktide nõuetele ja kehtivatele standarditele.

Tehnilised dokumendid on saadaval:

**Hilti** Entwicklungsgesellschaft mbH | Zulassung Geräte | Hiltistraße 6 | 86916 Kaufering, DE

### Tooteinfo

Pendeltikkisaag	SJT 6-22
Põlvkond	02
Seerianumber	1-9999999999

## lv Atbilstības deklarācija

### Atbilstības deklarācija

Ražotājs, uzņemoties pilnu atbildību, apliecina, ka šeit aprakstītais izstrādājums atbilst spēkā esošo tiesību aktu un standartu prasībām.

Tehnisko dokumentāciju glabā:

**Hilti** Entwicklungsgesellschaft mbH | Zulassung Geräte | Hiltistraße 6 | 86916 Kaufering, DE

### Izstrādājuma dati

Figūrziģis ar svārsta kustību	SJT 6-22
Paaudze	02
Sērijas Nr.	1-9999999999

## it Atitikties deklaracija

### Atitikties deklaracija

Gamintojas prisiimdama visą atsakomybę pareiškia, kad čia aprašytas prietaisas atitinka galiojančių įstatymų ir standartų reikalavimus.

Techninė dokumentacija saugoma čia:

**Hilti** Entwicklungsgesellschaft mbH | Zulassung Geräte | Hiltistraße 6 | 86916 Kaufering, DE

### Prietaiso duomenys

Siaurapjūklis	SJT 6-22
Karta	02
Serijos Nr.	1-9999999999

## sl Izjava o skladnosti

### Izjava o skladnosti

Proizvajalec na lastno odgovornost izjavlja, da tukaj opisani izdelek ustreza veljavni zakonodaji in veljavnim standardom.

Tehnična dokumentacija je na voljo tukaj:





**Informacije o izdelku**

vbodna žaga	SJT 6-22
Generacija	02
Serijska št.	1-9999999999

**hr Izjava o sukladnosti**

**Izjava o sukladnosti**

Proizvođač pod vlastitom odgovornošću izjavljuje da je ovdje opisani proizvod sukladan s važećim zakonodavstvom i normama.

Tehnička dokumentacija kod:

Hilti Entwicklungsgesellschaft mbH | Zulassung Geräte | Hiltistraße 6 | 86916 Kaufering, DE

**Podaci o proizvodu**

Ubodna pila s orbitalnim hodom	SJT 6-22
Generacija	02
Serijski br.	1-9999999999

**ru Декларация соответствия нормам**

**Декларация соответствия нормам**

Настоящим фирма-изготовитель с полной ответственностью заявляет, что данное изделие соответствует действующим директивам и нормам.

Техническая документация (оригиналы) хранится здесь:

Hilti Entwicklungsgesellschaft mbH | Zulassung Geräte | Hiltistraße 6 | 86916 Kaufering, Германия

**Указания к изделию**

Маятниковый электролобзик	SJT 6-22
Поколение	02
Серийный №	1-9999999999

**uk Сертифікат відповідності**

**Сертифікат відповідності**

Виробник зі всією належною відповідальністю заявляє, що описаний у цьому документі інструмент відповідає чинному законодавству і стандартам.

Технічна документація зазначена нижче:

Hilti Entwicklungsgesellschaft mbH | Zulassung Geräte | Hiltistraße 6 | 86916 Kaufering, DE

**Інформація про інструмент**

Лобзик із маятниковим ходом	SJT 6-22
Версія	02
Серійний номер	1-9999999999

**kk Сәйкестік декларациясы**

**Сәйкестік декларациясы**

Өндіруші осы нұсқаулықта сипатталған өнімнің қолданыстағы заңнамаға және қолданыстағы стандарттарға сәйкес екендігін толық жауапкершілікпен жариялайды.

Техникалық құжаттама мына жерде сақталған:

Hilti Entwicklungsgesellschaft mbH | Zulassung Geräte | Hiltistraße 6 | 86916 Kaufering, DE

**Өнім туралы мәліметтер**

Маятниктік электр жұқа арасы	SJT 6-22
Буын	02
Сериялық нөмір	1-9999999999



**bg Декларация за съответствие****Декларация за съответствие**

Производителят декларира на собствена отговорност, че описаният тук продукт отговаря на приложимото законодателство и действащите стандарти.

Техническата документация се съхранява тук:

**Hilti** Entwicklungsgesellschaft mbH | Zulassung Geräte | Hiltistraße 6 | 86916 Kaufering, DE

**Данни за продукта**

Махален прободен трион	SJT 6-22
Поколение	02
Сериен №	1-9999999999

**ro Declarație de conformitate****Declarație de conformitate**

Producătorul declară pe proprie răspundere că produsul descris aici corespunde legislației și normelor în vigoare.

Documentațiile tehnice sunt stocate aici:

**Hilti** Entwicklungsgesellschaft mbH | Zulassung Geräte | Hiltistraße 6 | 86916 Kaufering, DE

**Date despre produs**

Ferăstrău pendular pentru găuri	SJT 6-22
Generația	02
Număr de serie	1-9999999999

**el Δήλωση συμμόρφωσης****Δήλωση συμμόρφωσης**

Ο κατασκευαστής δηλώνει ως μόνος υπεύθυνος ότι το προϊόν που περιγράφεται εδώ ικανοποιεί την ισχύουσα νομοθεσία και τα ισχύοντα πρότυπα.

Τα έγγραφα τεχνικής τεκμηρίωσης υπάρχουν εδώ:

**Hilti** Entwicklungsgesellschaft mbH | Zulassung Geräte | Hiltistraße 6 | 86916 Kaufering, DE

**Στοιχεία προϊόντος**

Πριόνι με κυκλική παλινδρόμηση	SJT 6-22
Γενιά	02
Αρ. σειράς	1-9999999999

**tr Uygunluk beyanı****Uygunluk beyanı**

Üretici burada tanımlanan ürünün geçerli yasalara ve standartlara uygun olduğunu kendi sorumluluğunda beyan eder.

Teknik dokümantasyonlar eklidir:

**Hilti** Entwicklungsgesellschaft mbH | Zulassung Geräte | Hiltistraße 6 | 86916 Kaufering, DE

**Ürün bilgileri**

Sarkaç hareketli dekupaj testeresi	SJT 6-22
Nesil	02
Seri no.	1-9999999999



**بيان المطابقة**

تعلن الجهة الصانعة على مسؤوليتها وحدها بأن المنتج المشروع هنا يتوافق مع التشريعات والمعايير المعمول بها.

المستندات الفنية محفوظة هنا:

Hilti Entwicklungsgesellschaft mbH | Zulassung Geräte | Hiltistraße 6 | 86916 Kaufering, DE

**بيانات المنتج**

SJT 6-22	المنشار الأركت بندولي الأشواط
02	الجيل
99999999999-1	الرقم المسلسل



**ja 適合宣言****適合宣言**

製造者は、単独の責任において本書で説明している製品が有効な法規と有効な標準規格に適合していることを宣言します。

技術資料は本書の後続の頁に記載されています：

**Hilti** Entwicklungsgesellschaft mbH | Zulassung Geräte | Hiltistraße 6 | 86916 Kaufering, DE

**製品データ**

オービタルジグソー	SJT 6-22
製品世代	02
製造番号	1-9999999999

**ko 적합성 선언****적합성 선언**

본 제조사는 단독 책임 하에 여기에 기술된 제품이 통용되는 법 규정 및 규범과 일치함을 밝힙니다.

기술 문서는 이곳에 기술되어 있습니다.

**Hilti** Entwicklungsgesellschaft mbH | Zulassung Geräte | Hiltistraße 6 | 86916 Kaufering, DE

**제품 제원**

직쏘	SJT 6-22
세대	02
일련 번호	1-9999999999

**zh 符合聲明****符合聲明**

基於製造商唯一的責任，本公司在此聲明本產品符合適用法規及標準。

技術文件已歸檔：

**Hilti** Entwicklungsgesellschaft mbH | Tool Certification | Hiltistrasse 6 | D-86916 Kaufering, Germany

**產品資訊**

軌道式線鋸	SJT 6-22
產品代別	02
序號	1-9999999999

**cn 符合性声明****符合性声明**

制造商全权负责声明，此处所述及的产品符合现行法规和标准。

技术文档在此处归档：

**Hilti** Entwicklungsgesellschaft mbH | Tool Certification | Hiltistrasse 6 | 86916 Kaufering, Germany

**产品信息**

轨道动作机动锯	SJT 6-22
代次	02
序列号	1-9999999999



**Hilti Corporation**  
 Feldkircherstraße 100  
 9494 Schaan | Liechtenstein



**SJT 6-22 (02) | SJD 6-22 (02)**

2006/42/EC  
 2014/30/EU  
 2011/65/EU

EN 62841-1:2015, AC:2015, A11:2022  
 EN IEC 55014-1:2021

EN 62841-2-11:2016, A1:2020  
 EN IEC 55014-2:2021

Schaan, 29.03.2024



**Dr. Tahar Zrilli**  
 Head of Quality and Process Management  
 Business Area Electric Tools & Accessories



**Edward-Louis Przybylowicz**  
 Head of BU Power Tool & Accessories  
 Business Area Electric Tools & Accessories

**UK  
 CA**

**en UK Declaration of Conformity**

**Declaration of conformity**

The manufacturer declares, on his sole responsibility, that the product described here complies with the applicable legislation and standards.

The technical documentation is filed here:

**Hilti** Entwicklungsgesellschaft mbH | Tool Certification | Hiltistrasse 6 | D-86916 Kaufering, Germany

**Product information**

Orbital-action jig saw	SJT 6-22
Generation	02
Serial no.	1-9999999999





**Manufacturer:**

**Hilti Corporation**

Feldkircherstraße 100  
9494 Schaan | Liechtenstein

**SJT 6-22 (02) | SJD 6-22 (02)**

Supply of Machinery (Safety) Regulations  
2008

Electromagnetic Compatibility Regulations  
2016

The Restriction of the Use of Certain  
Hazardous Substances in Electrical and  
Electronic Equipment Regulations 2012

**UK Importer:**

**Hilti (Gt. Britain) Limited**

No. 1 Circle Square, 3 Symphony Park  
Manchester, England, M1 7FS



EN 62841-1:2015, AC:2015, A11:2022

EN IEC 55014-1:2021

EN 62841-2-11:2016, A1:2020

EN IEC 55014-2:2021

Schaan, 29.03.2024

**Dr. Tahar Zrilli**

Head of Quality and Process Management  
Business Area Electric Tools & Accessories

**Edward-Louis Przybyłowicz**

Head of BU Power Tool & Accessories  
Business Area Electric Tools & Accessories







Hilti Corporation  
LI-9494 Schaan  
Tel.:+423 234 21 11  
Fax:+423 234 29 65  
[www.hilti.group](http://www.hilti.group)



2264218